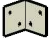
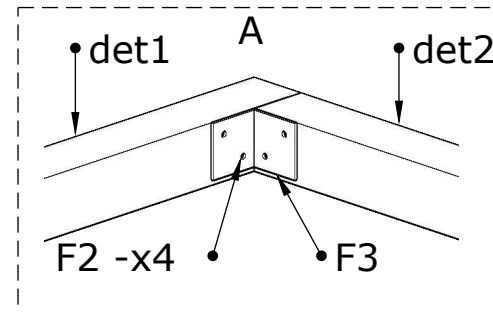
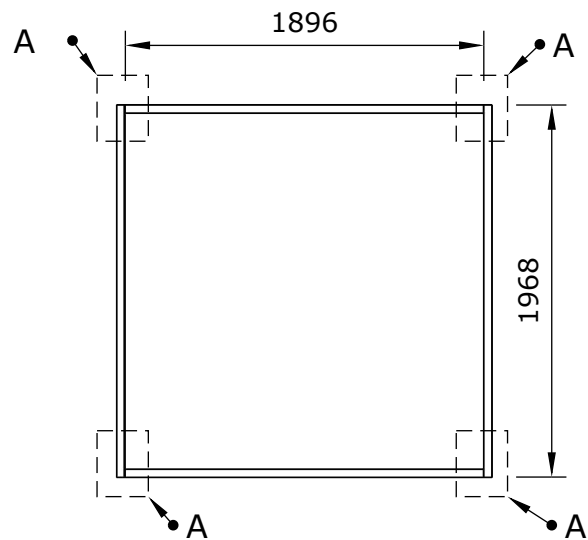
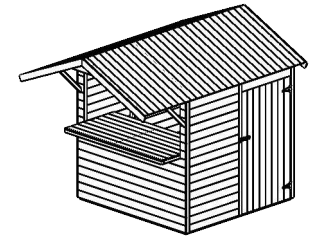
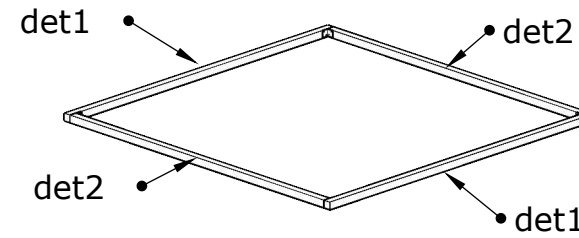


Serial No.: _____

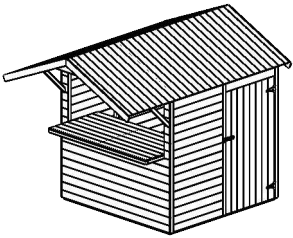
det1 - 44x44x1968 - x2
det2 - 44x44x1896 - x2


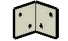

F2  4,0x30 - x16

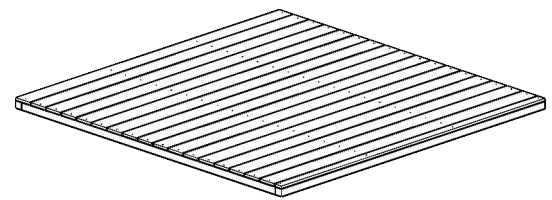
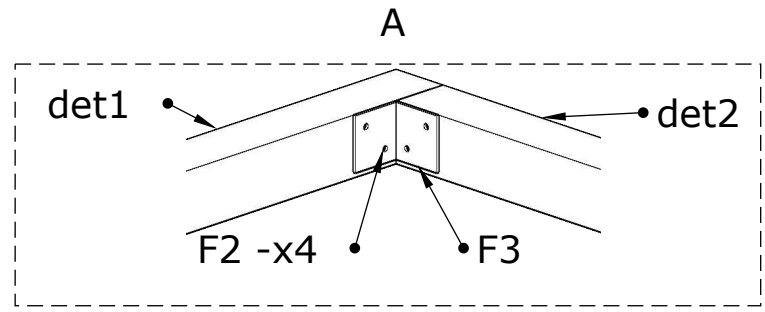
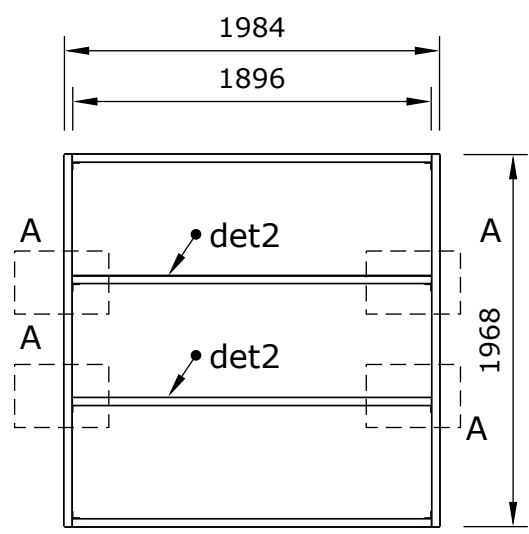
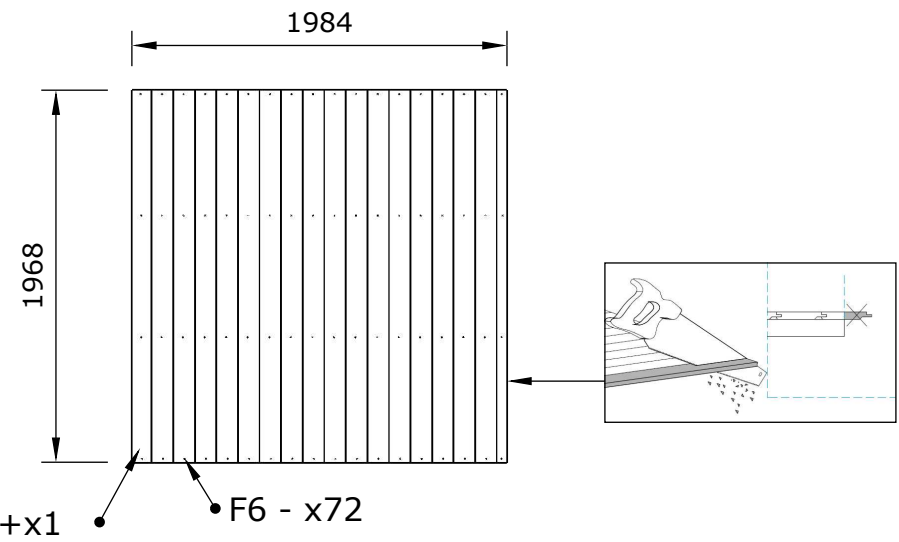
F3  40x40x40 - x4



EXTRAS MONTAGE




- det2 - 44x44x1896 - x2
- F2  4,0x30 - x16
- F3  40x40x40 - x4
- det36 - 16x114x1968 - x18
- F6  4,0x40 - x72

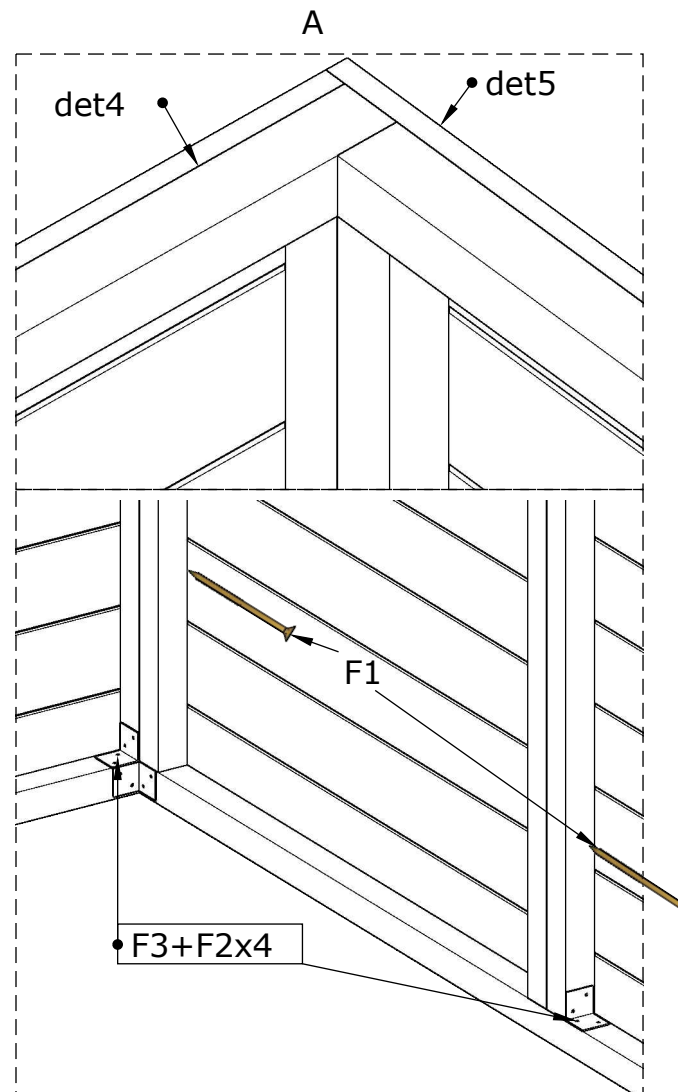
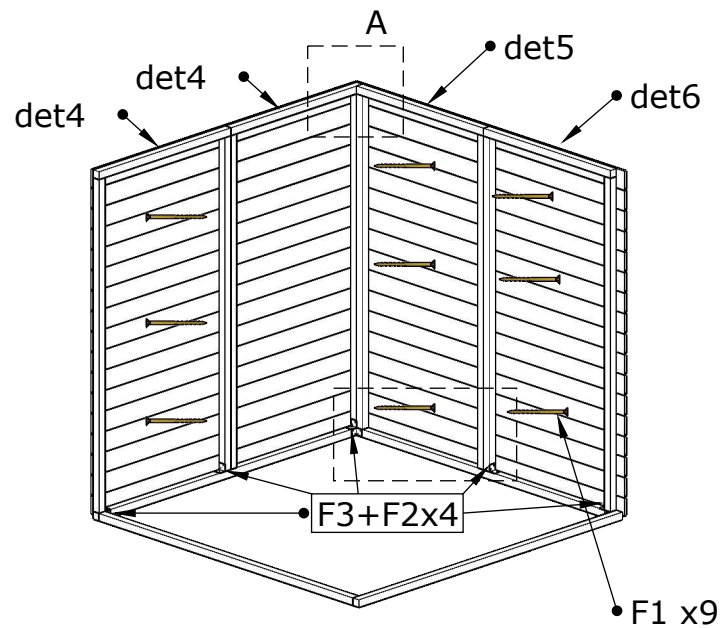
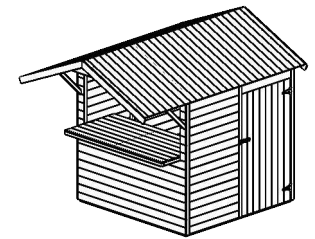


det4 - 60x984x1936 - x2
 det5 - 60x1008x1936 - x1
 det6 - 60x1008x1936 - x1

F1  4,5x80 - x9

F2  4,0x30 - x20

F3 40x40x40 -x5



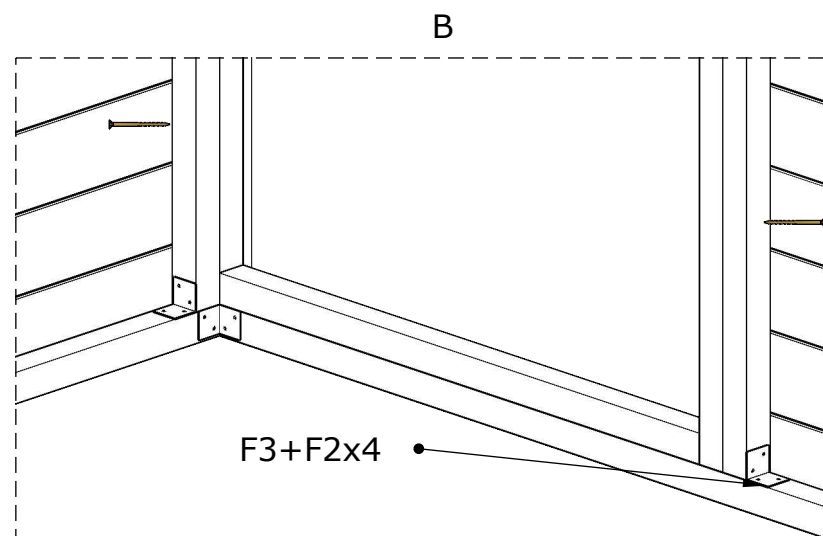
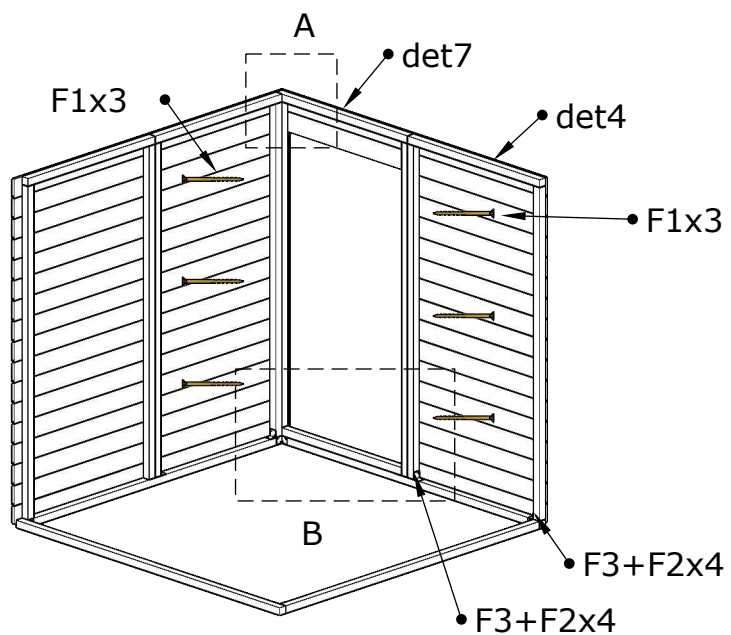
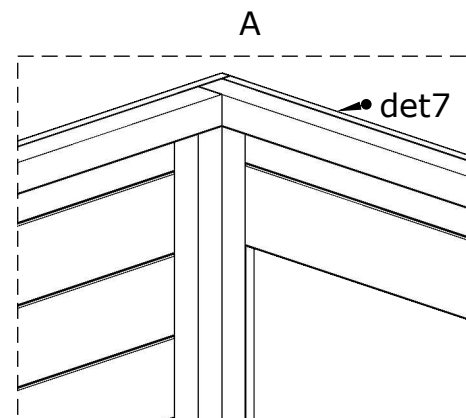
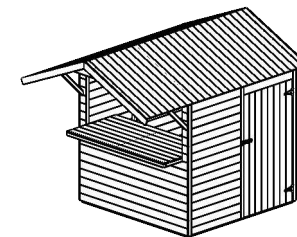
det4 - 60x984x1936 -x1

det7 - 60x984x1936 -x1

F1  4,5x80 - x6

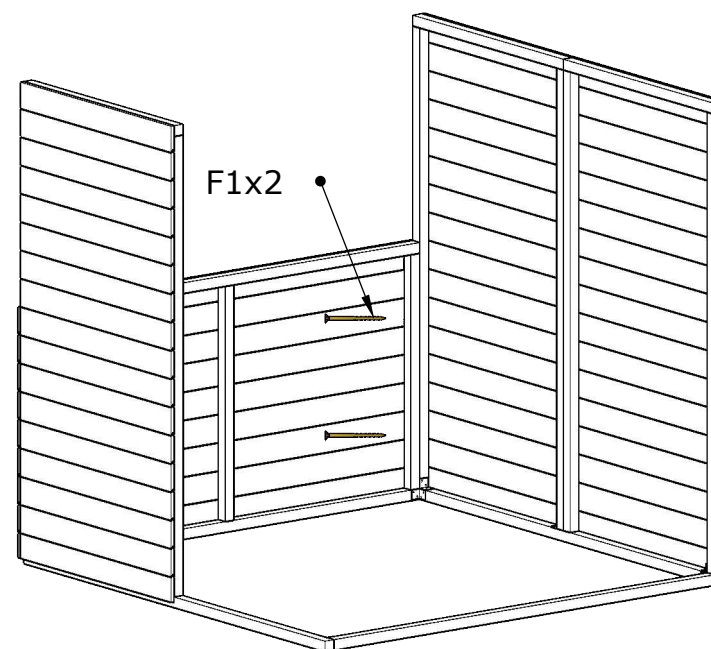
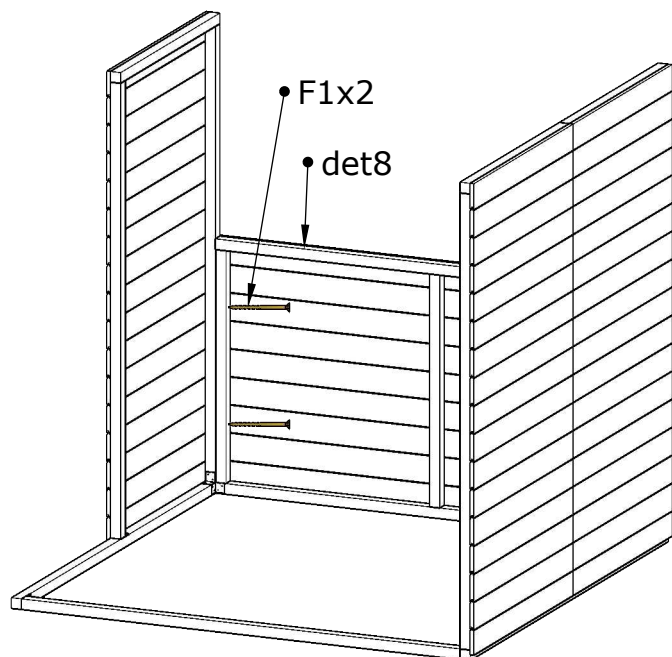
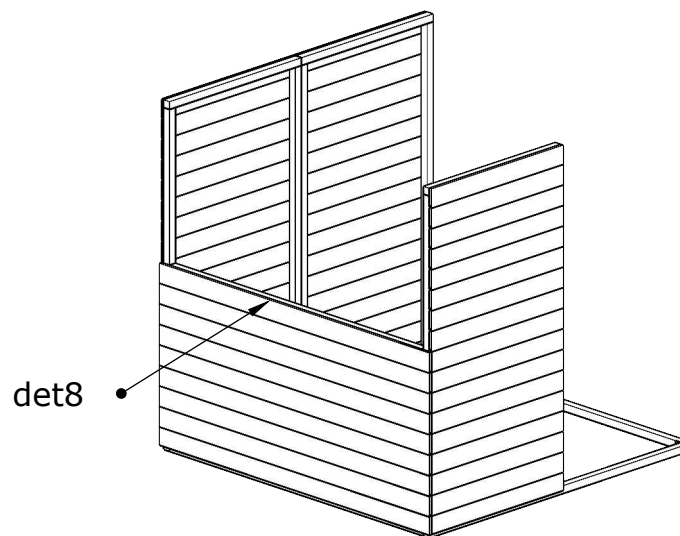
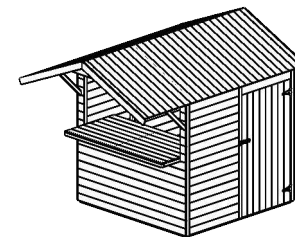
F2  4,0x30 - x8

F3 40x40x40 -x2



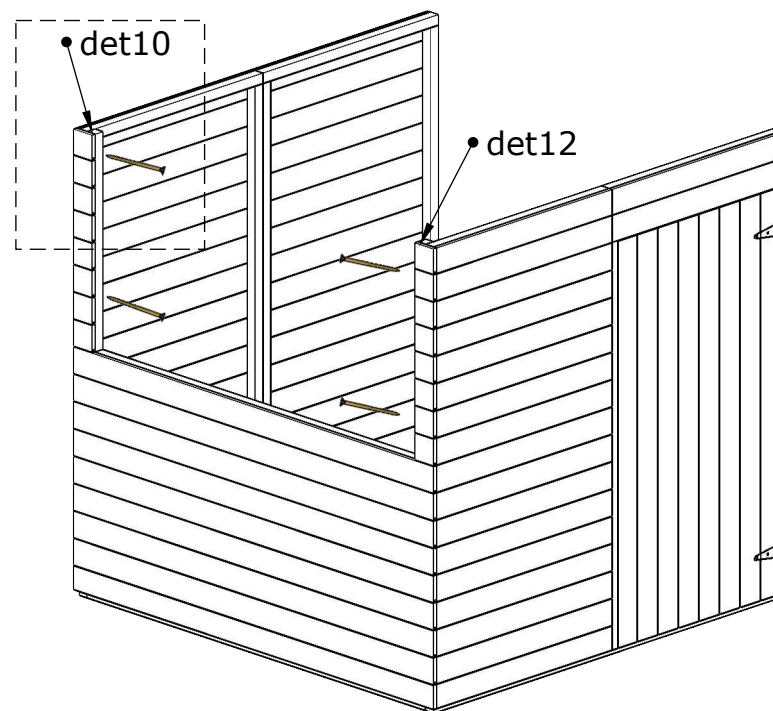
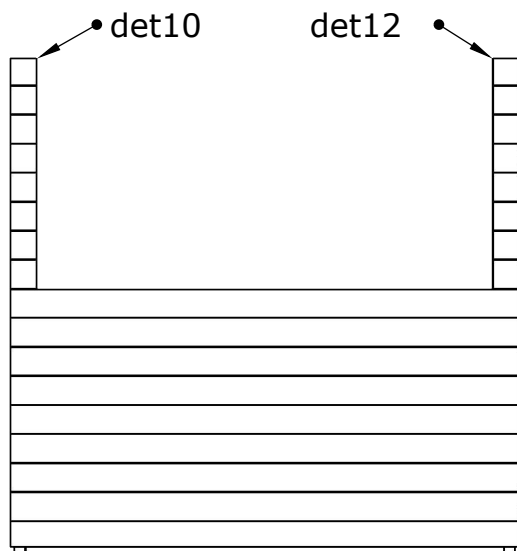
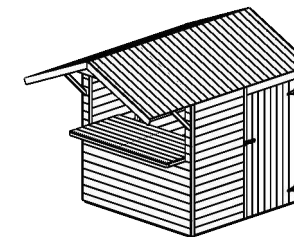
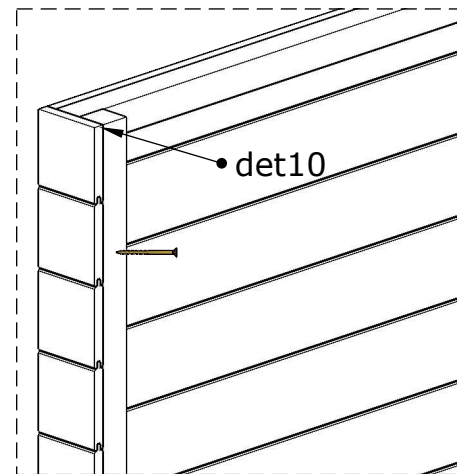
det8 - 60x1020x2160 - x1

F1  4,5x80 - x4

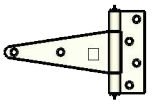


det10 - 60x104x916 - x1
det12 - 60x104x916 - x1

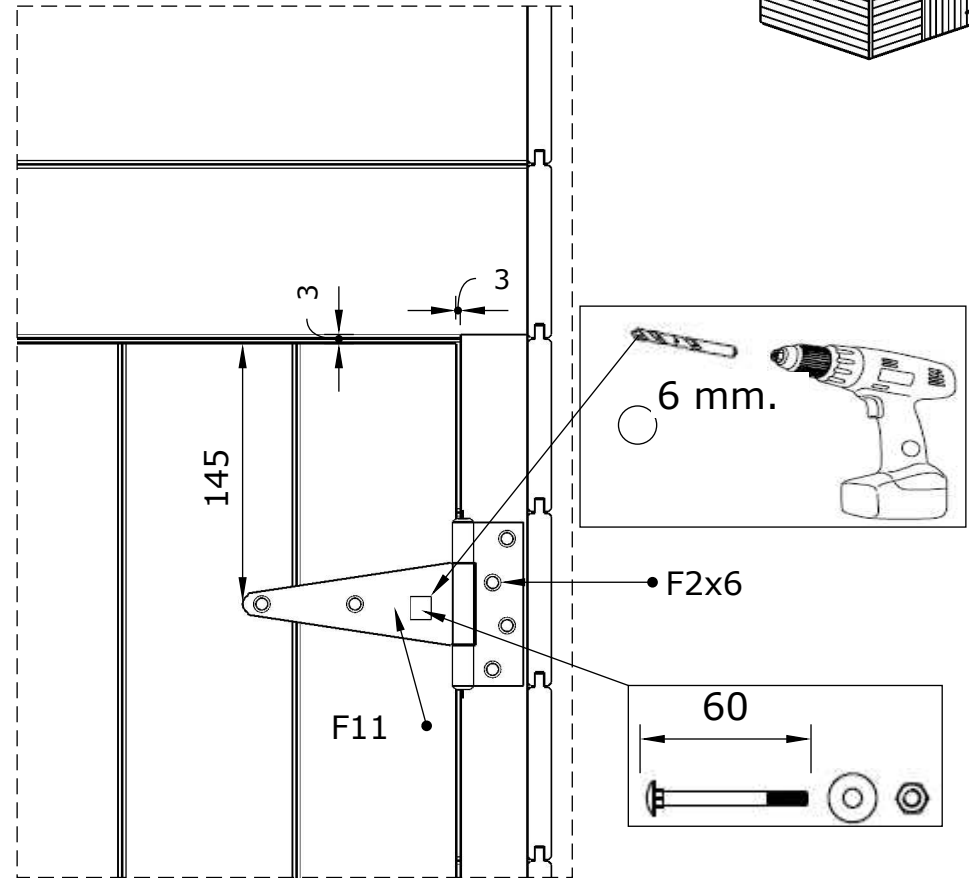
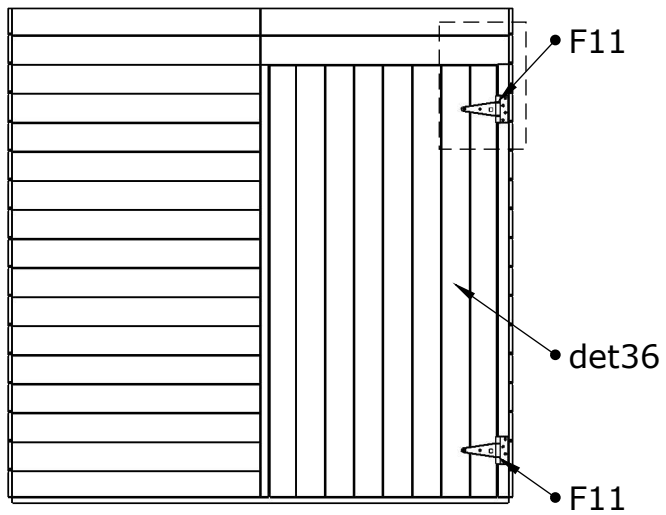
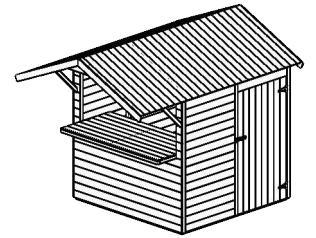
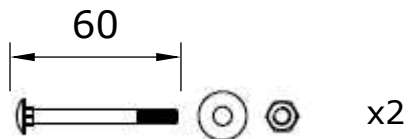
F1  4,5x80 - x4



det 36 - 44x900x1705 - x1

F11 -  x2


F2 - 4,0x30 - x12



det16 - 90x474x500 - x1

det17 - 90x474x500 - x2

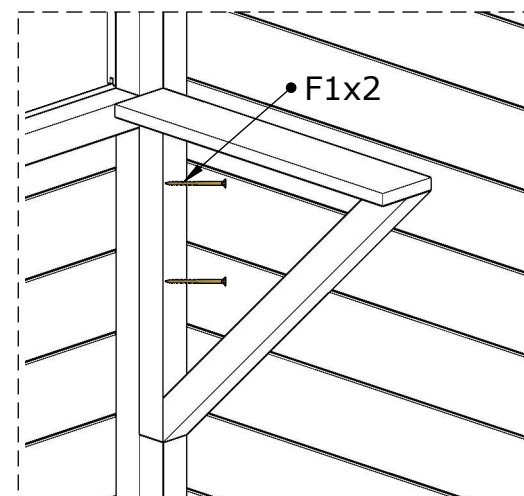
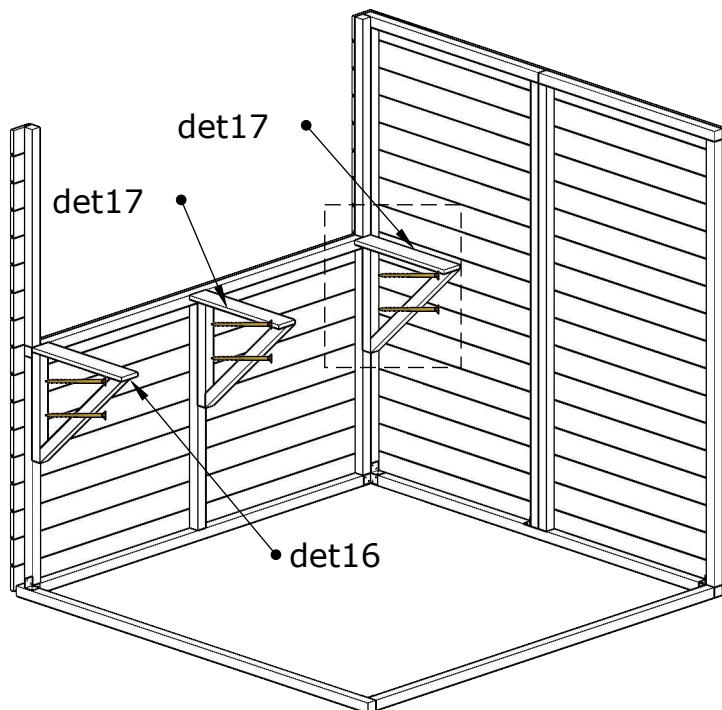
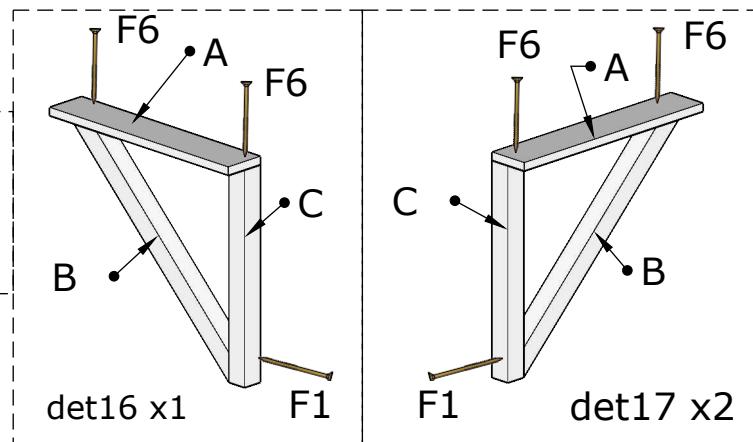
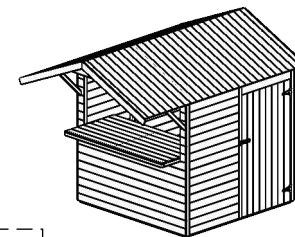
F1  4,5x80 - x9

F6  4,0x40 -x12

A - 18x90x500 - x3

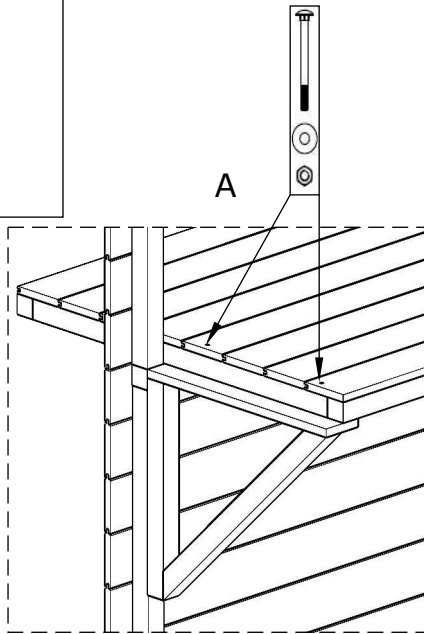
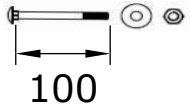
B - 44x44x650 - x3

C - 44x44x456 - x3

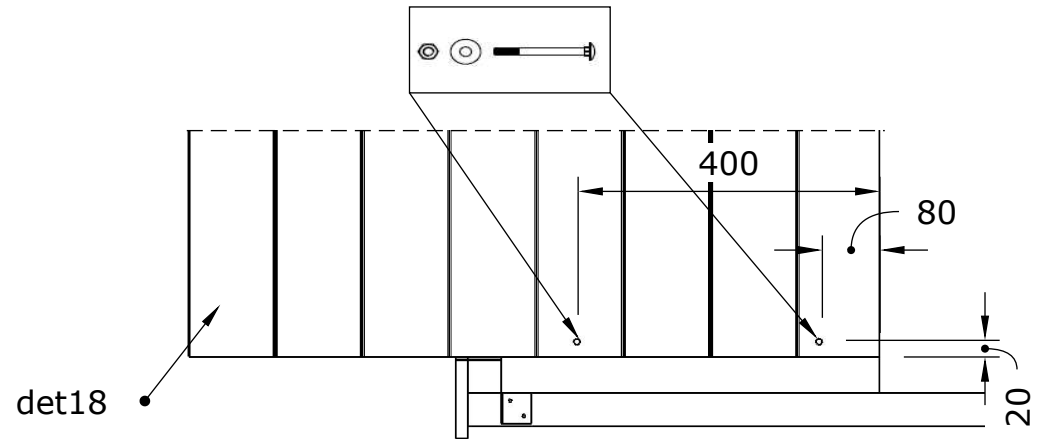
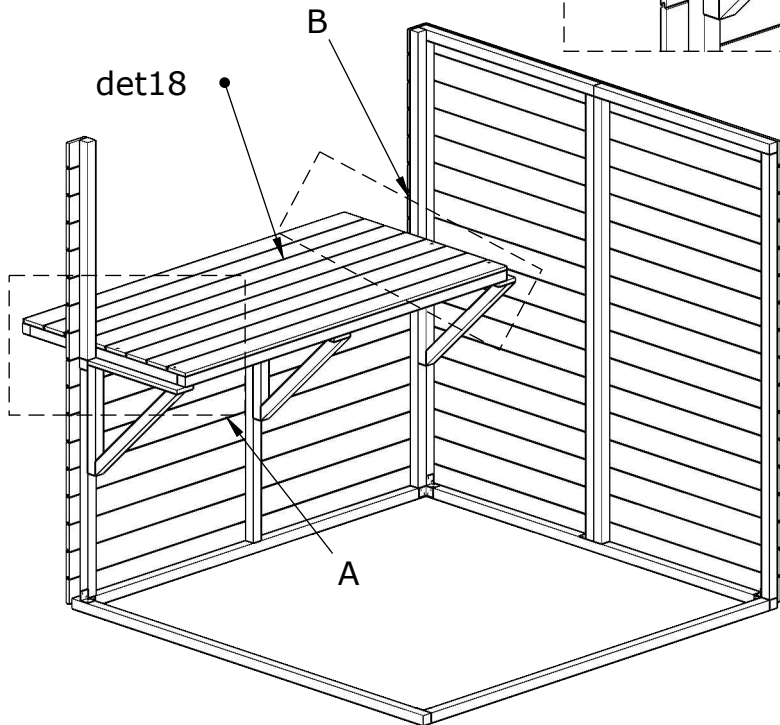
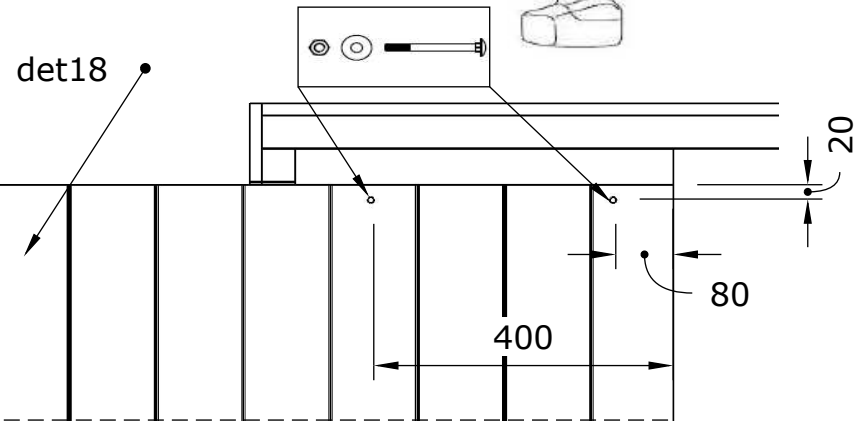
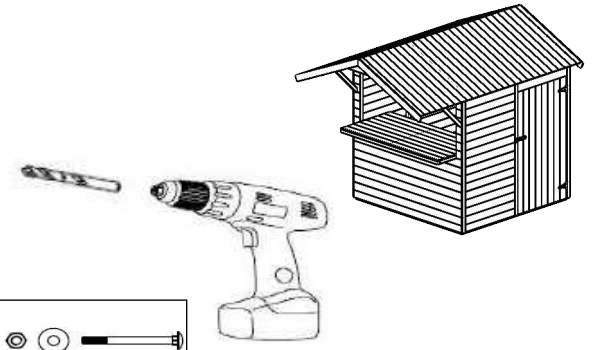


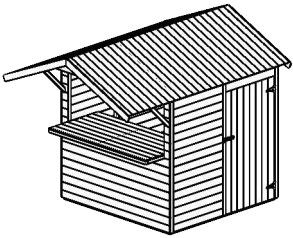
det18 - 60x904x1800 - x1



F5 - x8

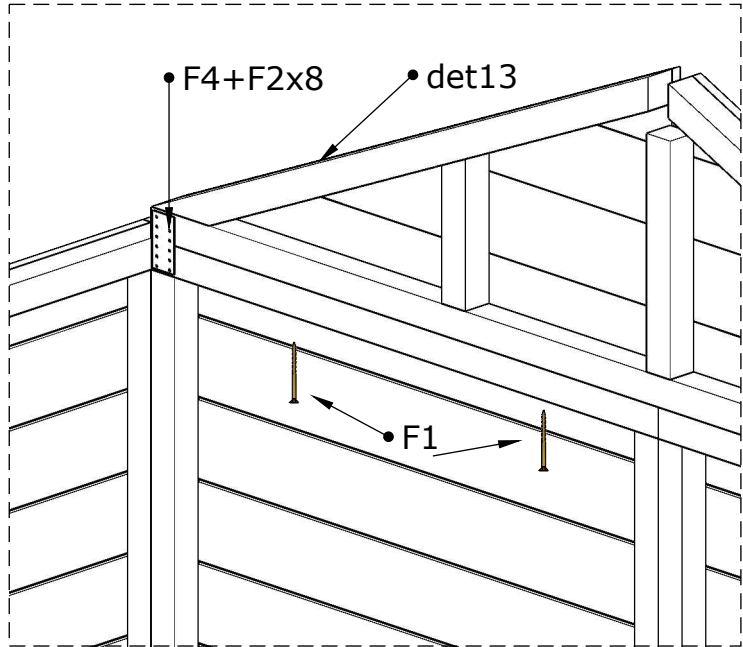
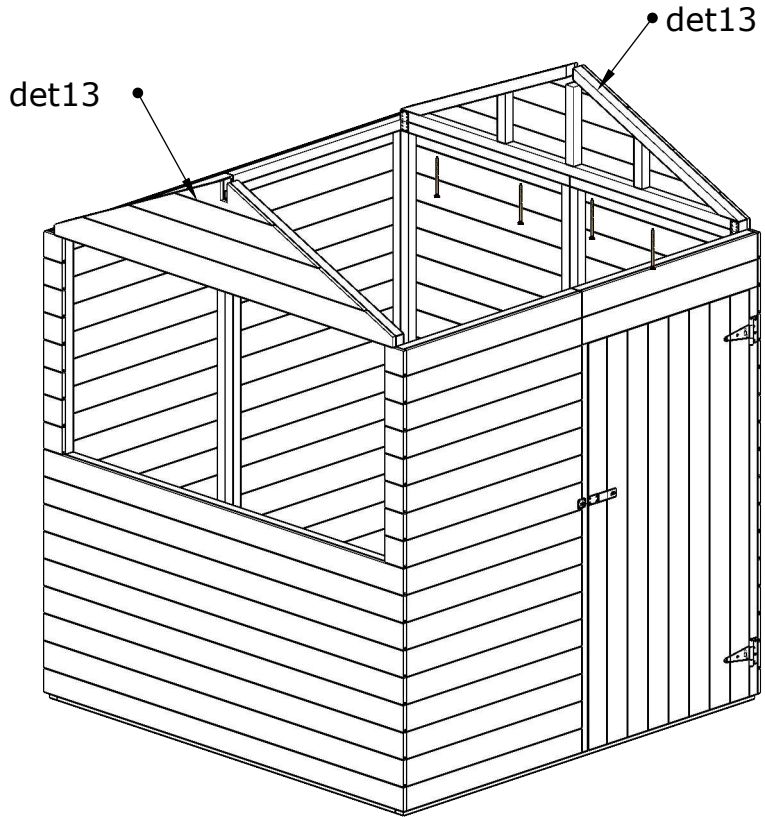


○ 7-8 mm.







- det13 - 60x457x1896 - x2
- F1  4,5x80 - x8
- F2  4,0x30 - x32
- F4 40x80 - x4




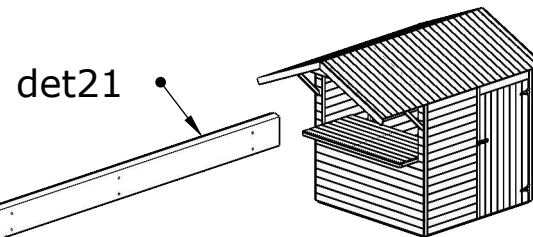
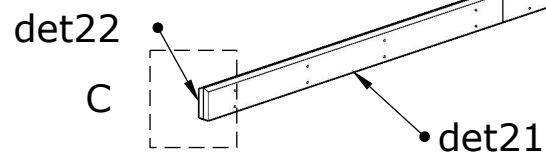
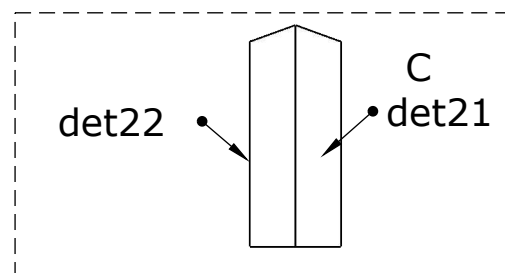
det19 - 44x44x1500 - x4
 det20 - 44x44x650 - x2
 det21 - 18x88x1100 - x2
 det22 - 18x88x1900 - x2

F1  4,5x80 - x2

F2  4,0x30 - x28

F6  4,0x70 - x14

F3  40x40x40 -x2

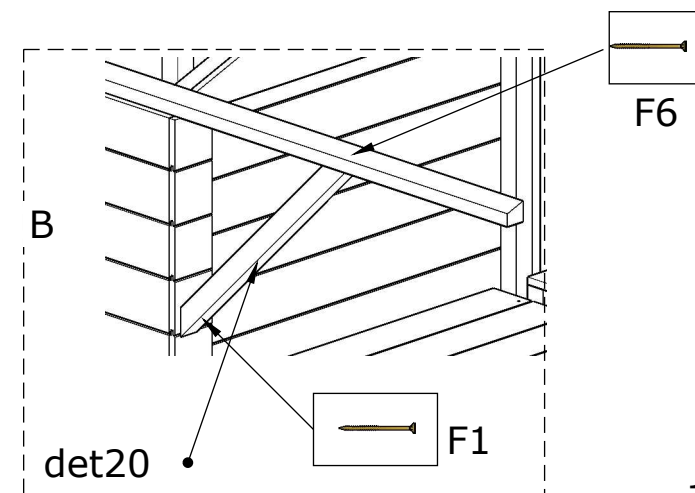
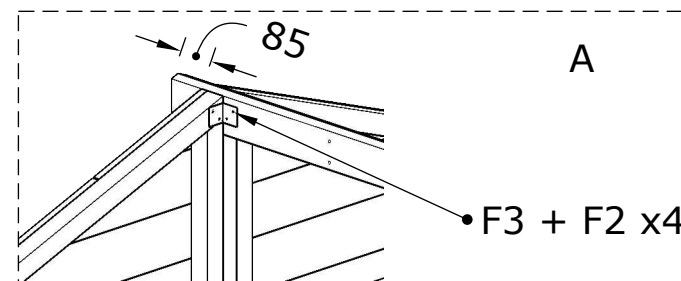
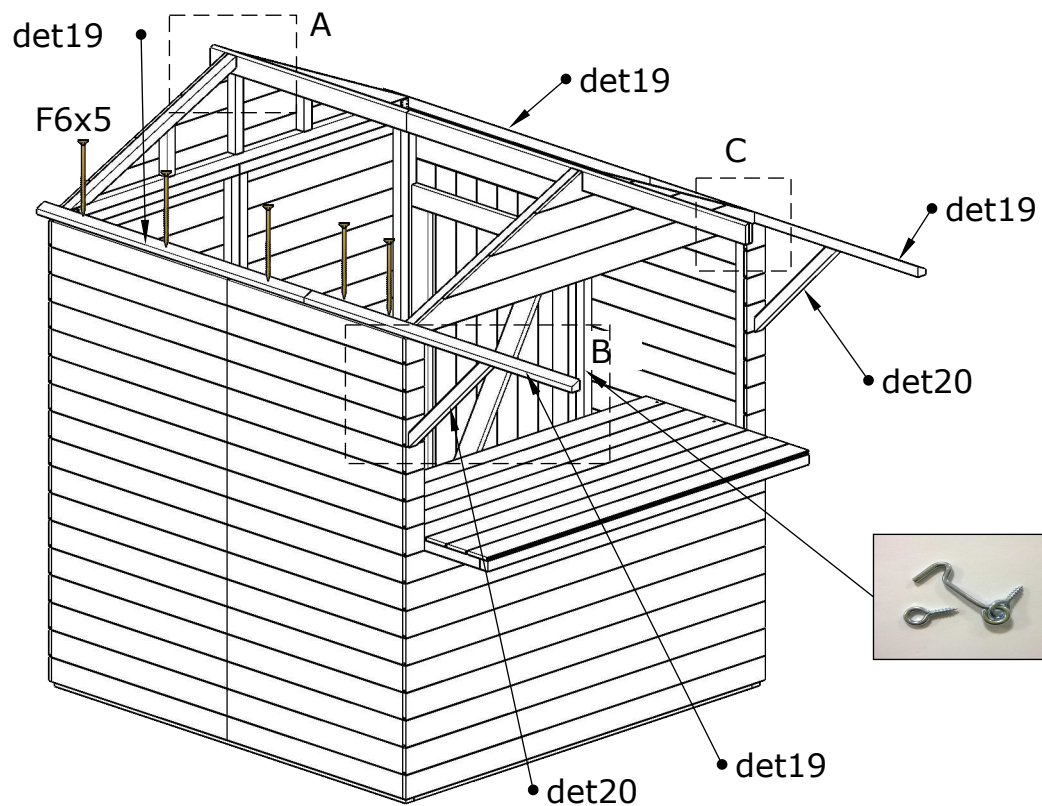


det21

det22


F2 x18

det21




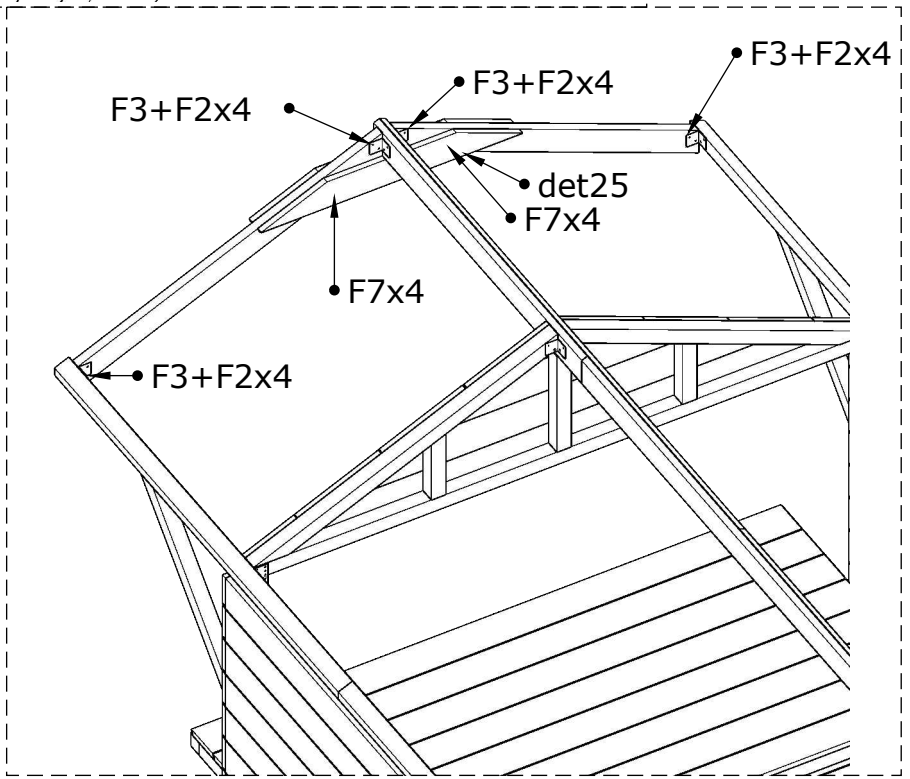
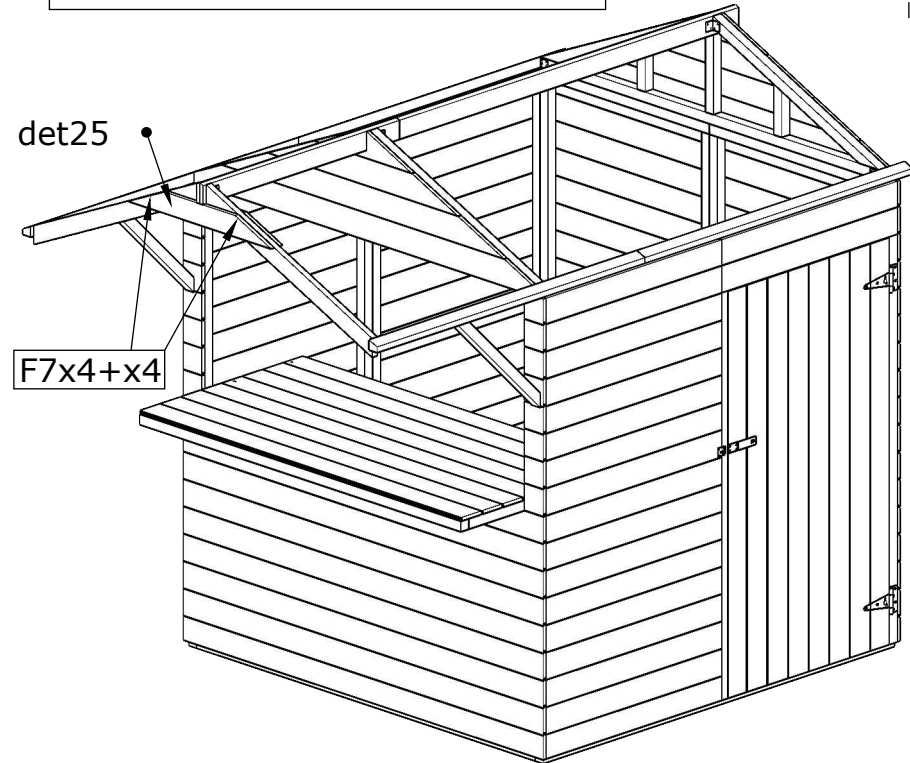
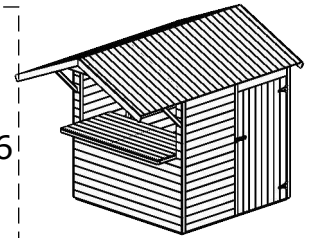
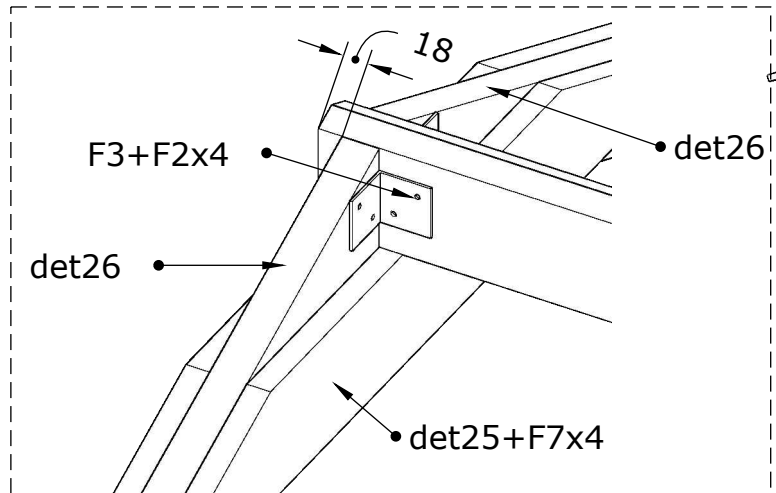
det25 - 18x90x798 - x2

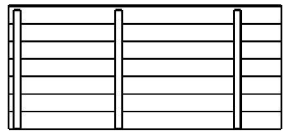
det26 - 28x90x1018 - x2

F2  4,0x30 - x16

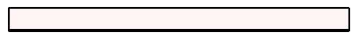
F3 40x40x40 - x4

F7  4,0x40 - x16




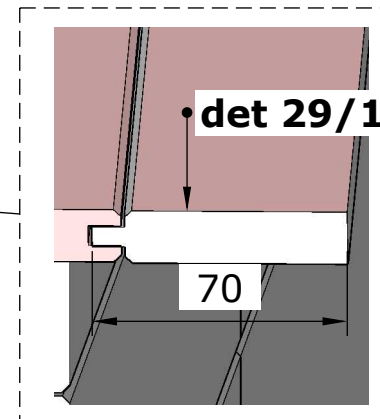
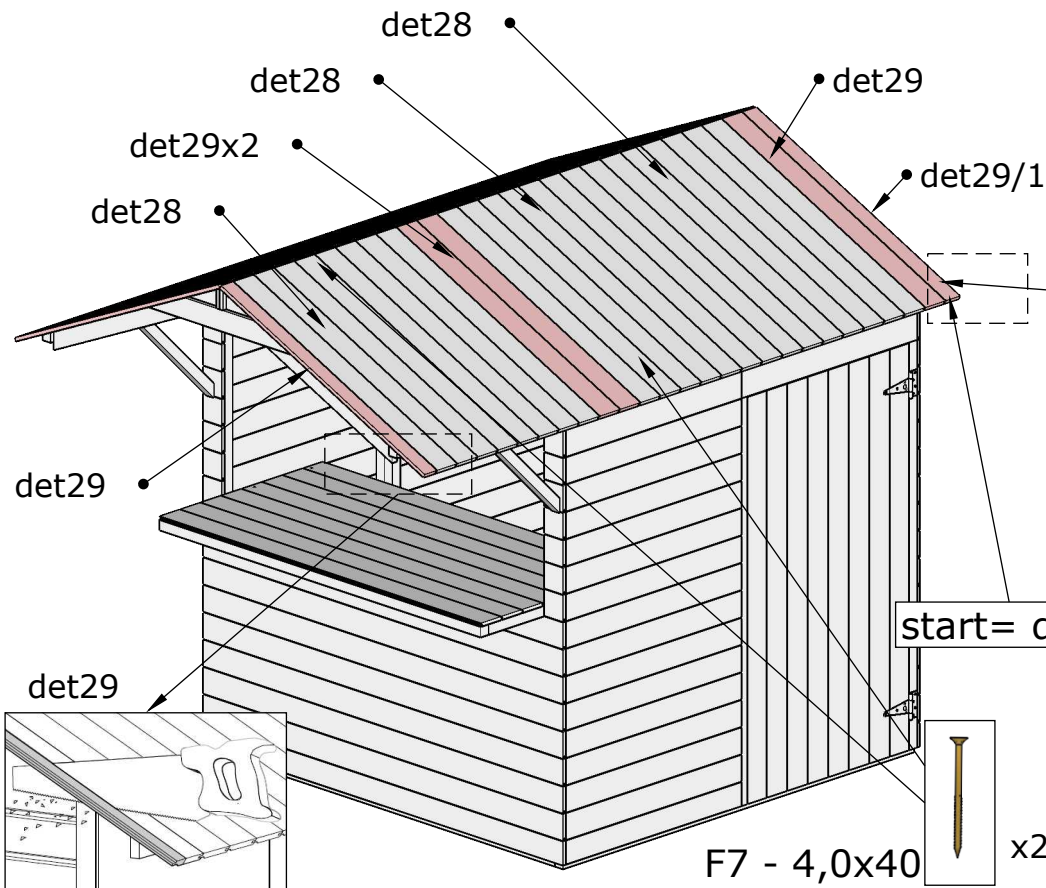
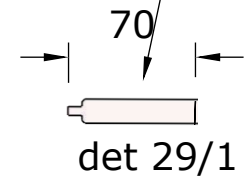
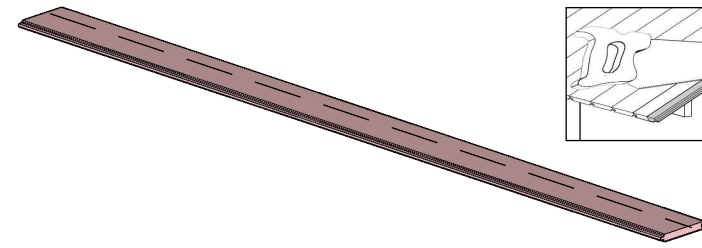
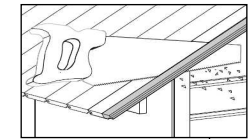
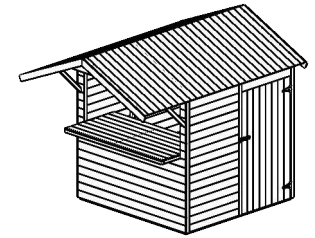


det 28 - 60x810x1250 - x3

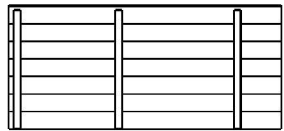


det 29 - 16x114x1250 - x6

F7  4,0x40 - x22



start= det29/1+det29+det28x2+det29x3+det28+det29



det 28 - 60x810x1250 - x3

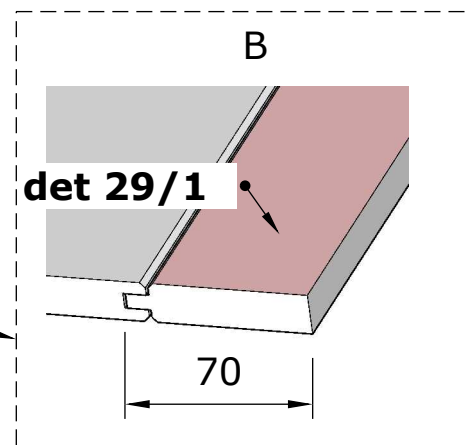
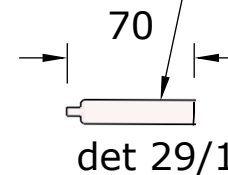
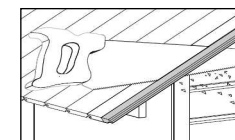
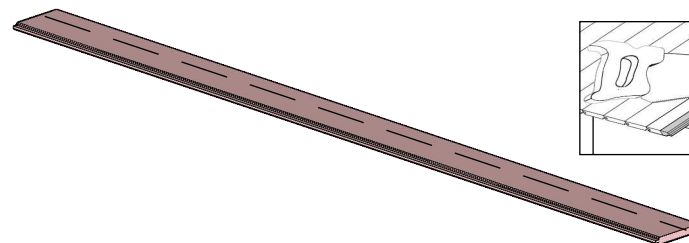
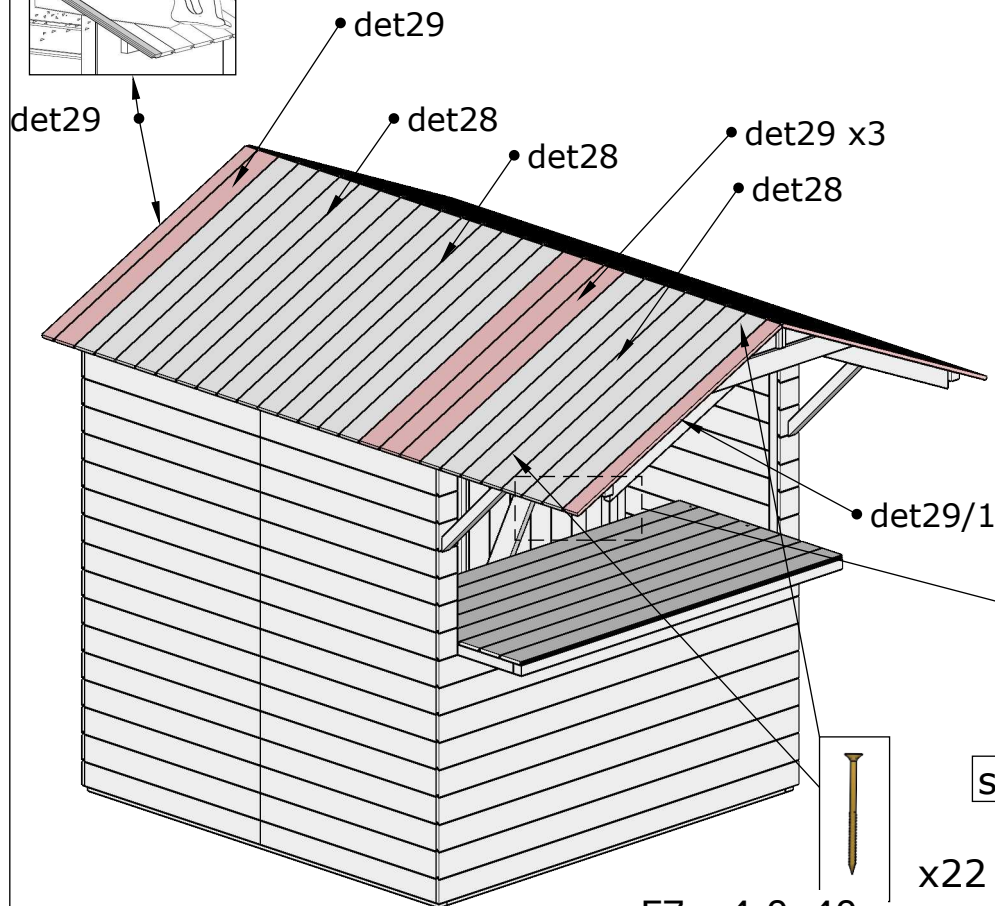
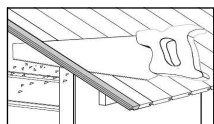
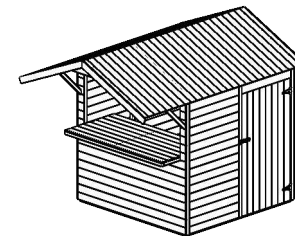


det 29 - 16x114x1250 - x6

F7



4,0x40 - x22




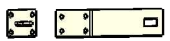


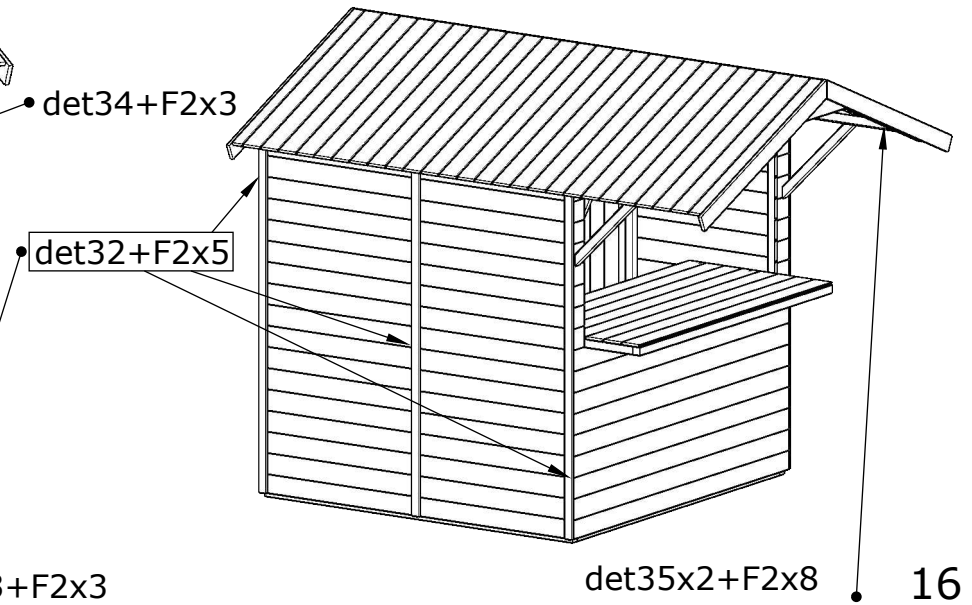
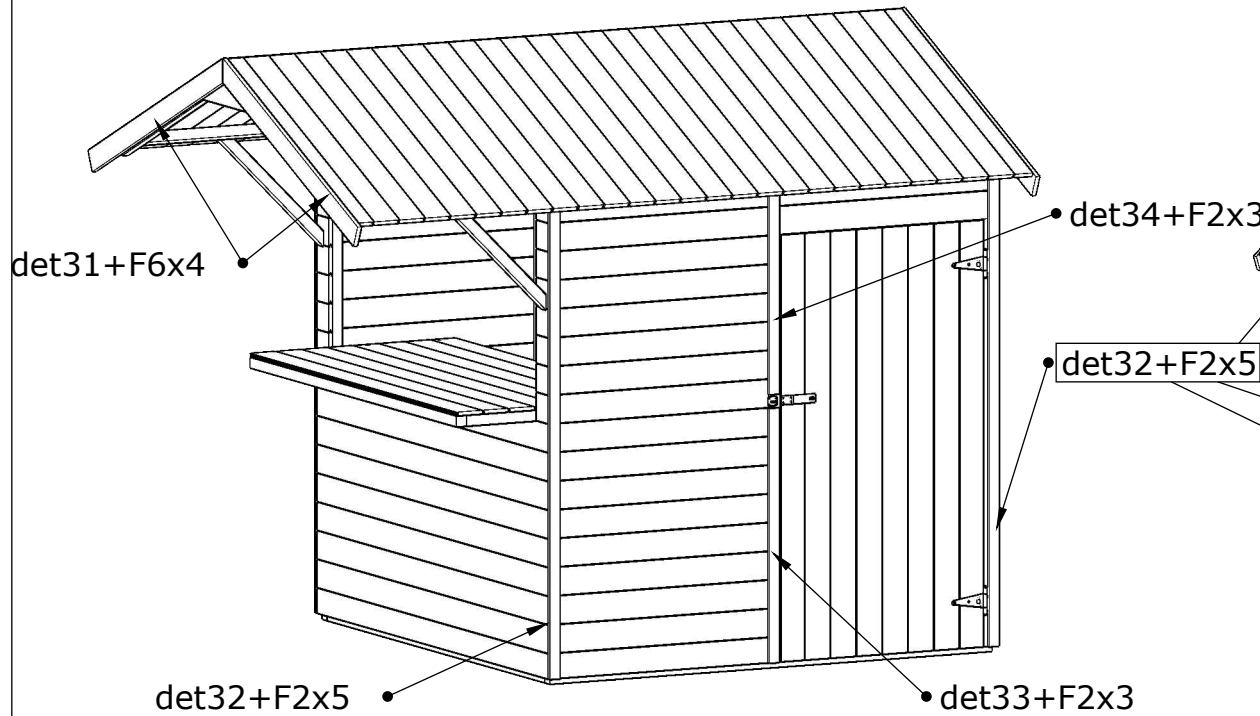
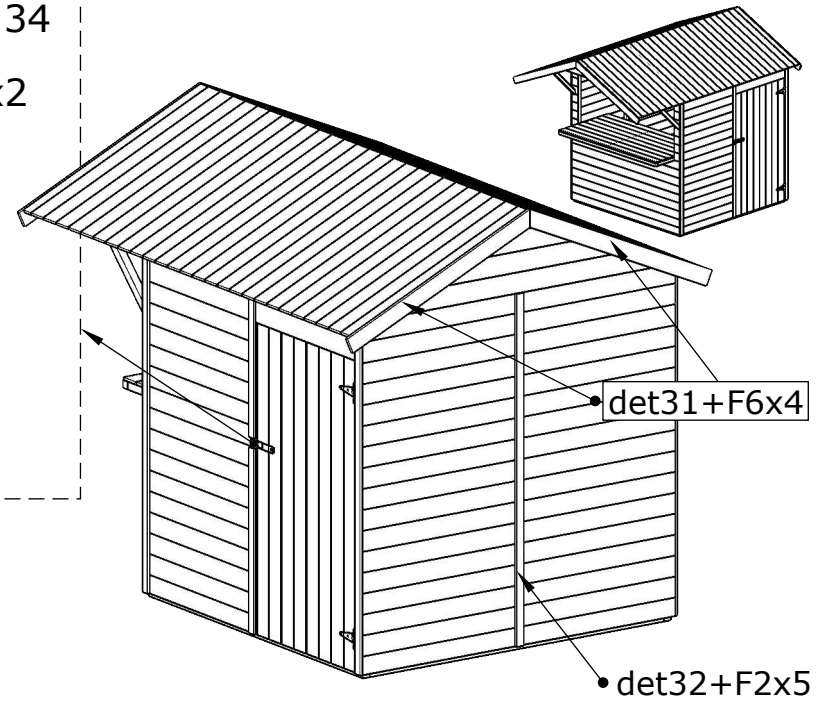
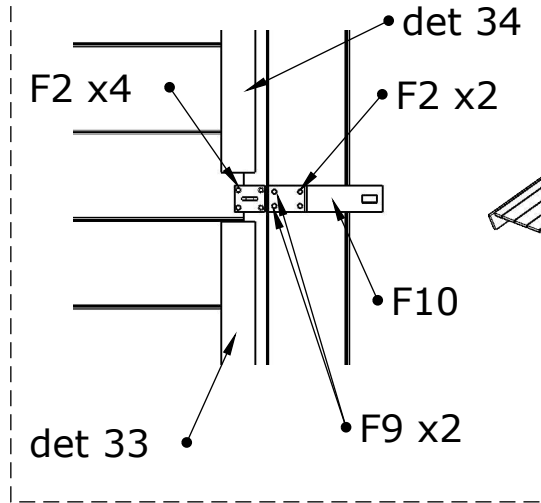
start=det29/1+det28+det29x3+det28x2+det29x2

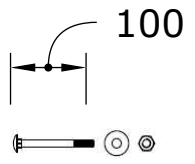
F7 - 4,0x40

x22

- det 31 - 18x90x1285 - x4
- det 32 - 15x45x1936 - x6
- det 33 - 15x45x1020 - x1
- det 34 - 15x45x860 - x1
- det 35 - 15x45x1500 -x4

- F2  4,0x30 - x58
- F6  4,0x40 - x16
- F9  4,0x15 - x2
- F10  - x1





x8

7 mm.

