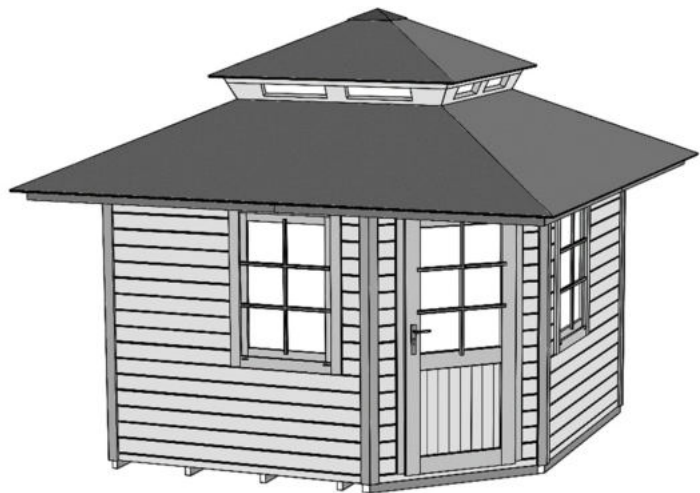




## Montage-, Bedienungs- und Wartungsanleitung

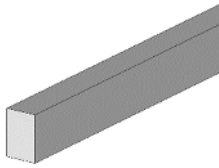
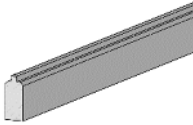
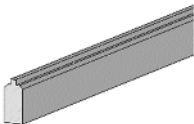
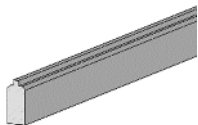
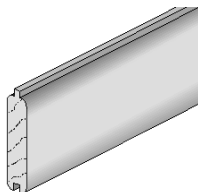


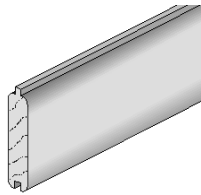
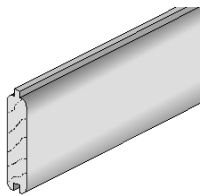
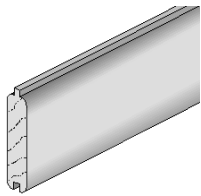
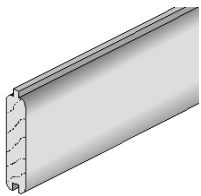
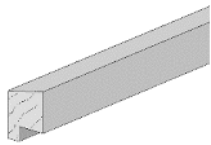
**149.3030.00.00**

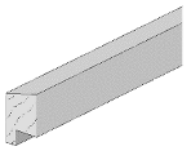
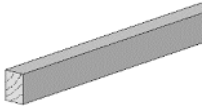
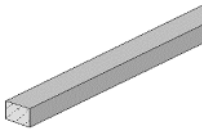
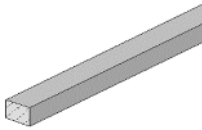
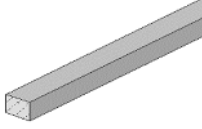


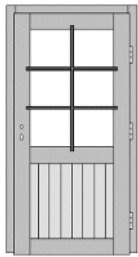
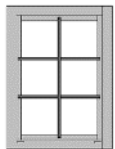
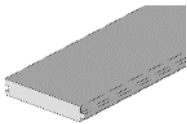
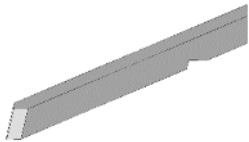
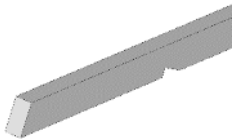
**149.3030.10.00**

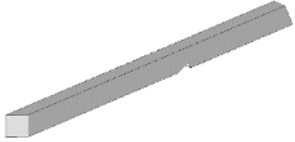
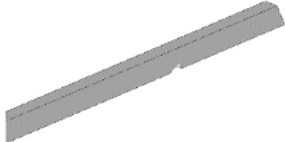



|           |                         |           |                   |
|-----------|-------------------------|-----------|-------------------|
| <b>6.</b> |                         |           |                   |
| <b>de</b> | <b>Montageanleitung</b> | <b>de</b> | <b>Stückliste</b> |
| en        | Assembly instructions   | en        | Parts list        |
| fr        | notice de montage       | fr        | liste des pièces  |
| it        | istruzioni di montaggio | it        | lista pezzi       |

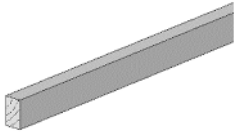

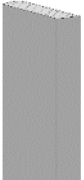
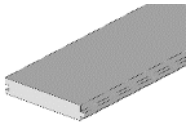
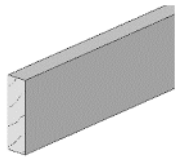
| Pos | Bild  | Abmessung                        | Stück          |                |
|-----|---|----------------------------------|----------------|----------------|
|     |   |                                  | 149.3030.00.00 | 149.3030.10.00 |
| ①   |    | 50 / 70 / 2978<br>50 / 70 / 1390 | 6<br>1         | 6<br>1         |
| ②   |   | 28 / 63 / 2950                   | 2              | 2              |
| ③   |  | 28 / 63 / 2000                   | 2              | 2              |
| ④   |  | 28 / 63 / 1325                   | 1              | 1              |
| ⑤   |  | 28 / 121 / 2950                  | 38             | 38             |

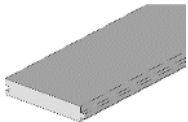


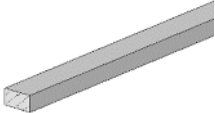
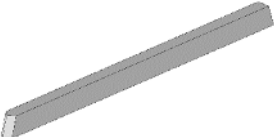
| Pos | Bild  | Abmessung       | Stück          |                |
|-----|---|-----------------|----------------|----------------|
|     |   |                 | 149.3030.00.00 | 149.3030.10.00 |
| 6   |    | 28 / 121 / 2000 | 14             | 14             |
| 7   |    | 28 / 121 / 1325 | 2              | 2              |
| 8   |  | 28 / 121 / 970  | 20             | 20             |
| 9   |  | 28 / 121 / 195  | 52             | 52             |
| 10  |  | 35 / 60 / 990   | 1              | 1              |

| Pos | Bild  | Abmessung       | Stück          |                |
|-----|---|-----------------|----------------|----------------|
|     |   |                 | 149.3030.00.00 | 149.3030.10.00 |
| 11  |    | 18,5 / 45 / 880 | 2              | 2              |
| 12  |    | 15 / 25 / 990   | 1              | 1              |
| 13  |  | 15 / 28 / 1130  | 4              | 4              |
| 14  |  | 15 / 28 / 1805  | 2              | 2              |
| 15  |  | 15 / 25 / 880   | 2              | 2              |

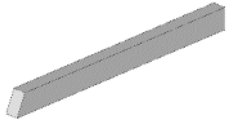
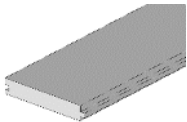
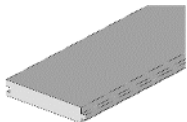
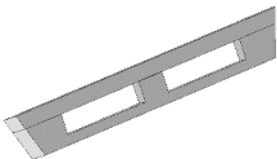
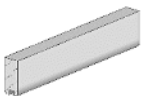
| Pos | Bild  | Abmessung         | Stück          |                |
|-----|---|-------------------|----------------|----------------|
|     |   |                   | 149.3030.00.00 | 149.3030.10.00 |
| 16  |    | 965 x 1810        | 1              | 1              |
| 17  |    | 842 x 1134        | 2              | 2              |
| 18  |  | 18,5 / 121 / 2922 | 27             | 26             |
| 19  |  | 45 / 70 / 2742    | 4              | 4              |
| 20  |  | 45 / 70 / 2029    | 4              | 4              |

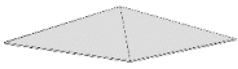
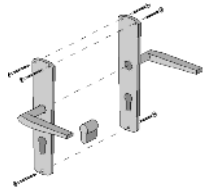
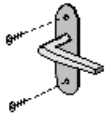
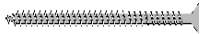
| Pos | Bild  | Abmessung      | Stück          |                |
|-----|---|----------------|----------------|----------------|
|     |   |                | 149.3030.00.00 | 149.3030.10.00 |
| 21  |    | 45 / 70 / 1137 | 4              | 4              |
| 22  |    | 45 / 70 / 1137 | 4              | 4              |
| 23  |  | 40 / 40 / 2128 | 3              | 3              |
| 24  |  | 40 / 60 / 2100 | 2              | 2              |
| 25  |  | 40 / 40 / 150  | 1              | 1              |






| Pos | Bild  | Abmessung         | Stück          |                |
|-----|---|-------------------|----------------|----------------|
|     |   |                   | 149.3030.00.00 | 149.3030.10.00 |
| 26  |    | 15 / 25 / 2000    | 8              | 8              |
| 27  |   | 18,5 / 70 / 2153  | 14             | 12             |
| 28  |  | 18,5 / 70 / 2100  | 4              | 4              |
| 29  |  | 18,5 / 121 / 2050 | 77             | 72             |
| 30  |  | 18,5 / 96 / 1994  | 8              | 8              |






| Pos | Bild  | Abmessung         | Stück          |                |
|-----|---|-------------------|----------------|----------------|
|     |   |                   | 149.3030.00.00 | 149.3030.10.00 |
| 31  |    | 18,5 / 121 / 1490 | 6              | 6              |
| 32  |    | 122 / 132 / 160   | 1              | 2              |
| 33  |  | 25 x 100          | -              | 1              |
| 34  |  | 15 / 21 / 1805    | -              | 4              |
| 35  |  | 45 / 70 / 1172    | -              | 4              |





| Pos | Bild  | Abmessung         | Stück          |                |
|-----|---|-------------------|----------------|----------------|
|     |   |                   | 149.3030.00.00 | 149.3030.10.00 |
| 36  |    | 45 / 70 / 852     | -              | 4              |
| 37  |    | 18,5 / 121 / 1037 | -              | 8              |
| 38  |  | 18,5 / 121 / 1037 | -              | 8              |
| 39  |  | 45 / 216 / 1748   | -              | 4              |
| 40  |  | 28 / 60 / 300     | 4              | 4              |

| Pos | Bild  | Abmessung | Stück          |                |
|-----|---|-----------|----------------|----------------|
|     |   |           | 149.3030.00.00 | 149.3030.10.00 |
| 41  | -   | -         | -              | -              |
| 42  |    |           | 1              | 1              |
| 43  |  |           | 1              | 1              |
| 44  |  |           | 2              | 2              |
| 45  |  | 5,0 x 120 | 70             | 70             |

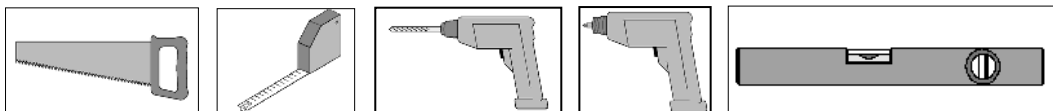
| Pos | Bild  | Abmessung | Stück          |                |
|-----|---|-----------|----------------|----------------|
|     |   |           | 149.3030.00.00 | 149.3030.10.00 |
| 46  |    | 5,0 x 100 | 10             | 10             |
| 47  |    | 5,0 x 80  | 40             | 40             |
| 48  |  | 4,0 x 60  | 480            | 480            |
| 49  |  | 4,0 x 40  | 170            | 170            |
| 50  |  | 3,5 x 35  | 50             | 50             |

| Pos | Bild  | Abmessung | Stück          |                |
|-----|---|-----------|----------------|----------------|
|     |   |           | 149.3030.00.00 | 149.3030.10.00 |
| 51  |    | 3,5 x 16  | 20             | 20             |
| 52  |    | 5,0 x 35  | 10             | 10             |
| 53  |  | 2,2 x 55  | 1600           | 1600           |
| 54  |  | 1,6 x 30  | 20             | 20             |
| 55  |  | 2,0 x 13  | 630            | 630            |

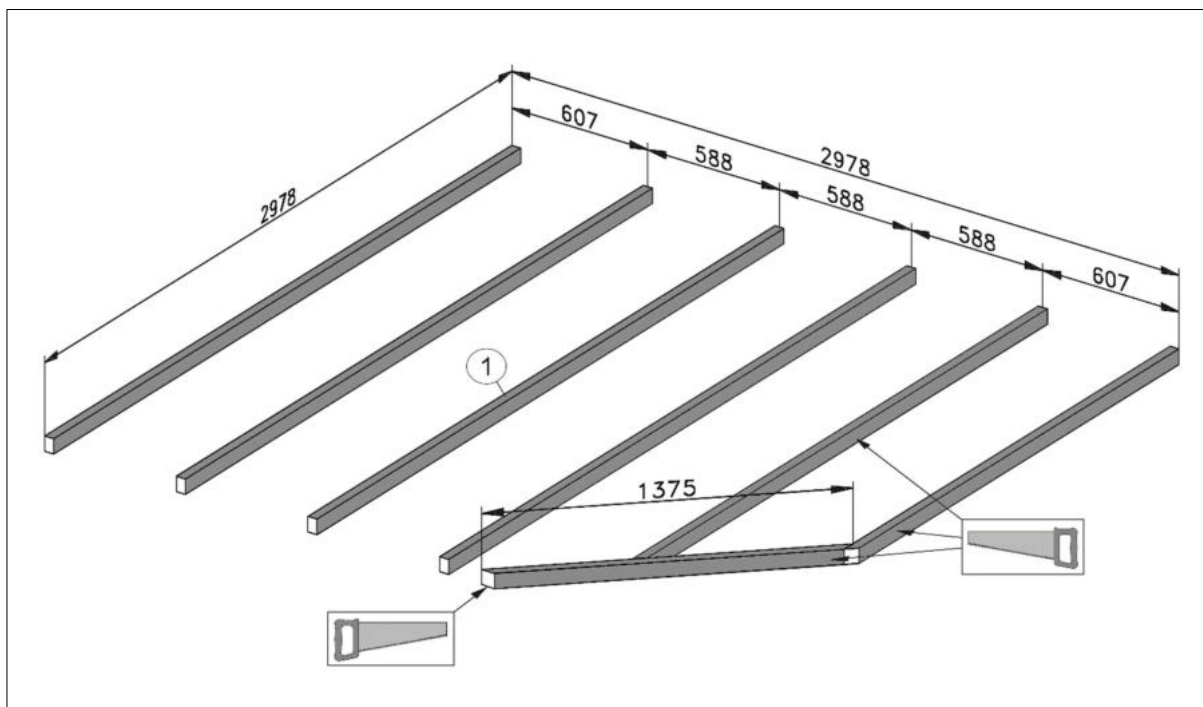
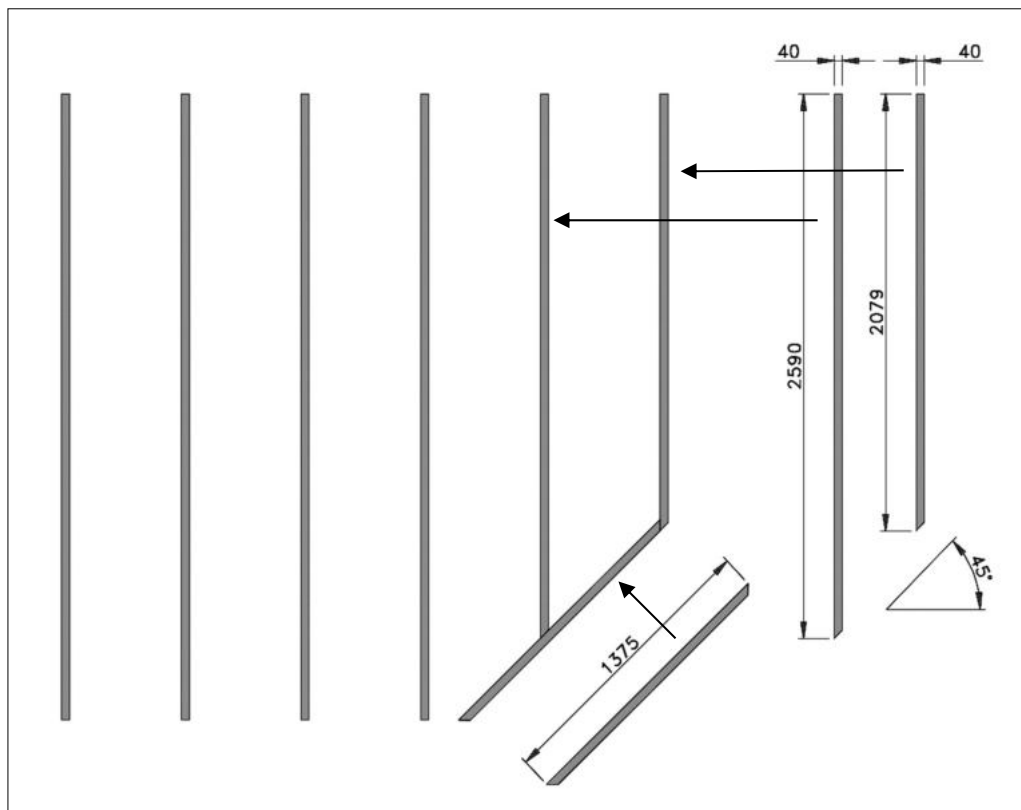
| Pos | Bild  | Abmessung | Stück          |                |
|-----|---|-----------|----------------|----------------|
|     |   |           | 149.3030.00.00 | 149.3030.10.00 |
| 56  |  | 90mm      | 1              | 1              |
| 57  |  | 2,2 x 9,5 | 2              | 2              |

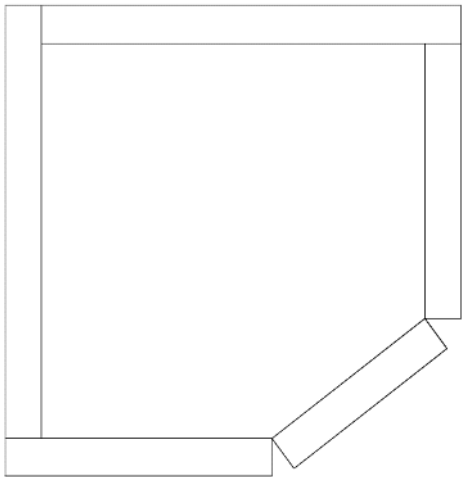
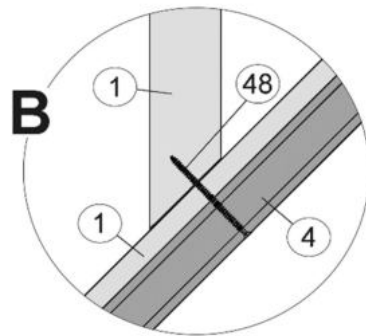
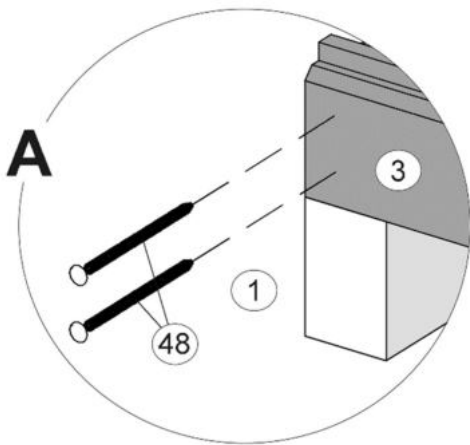
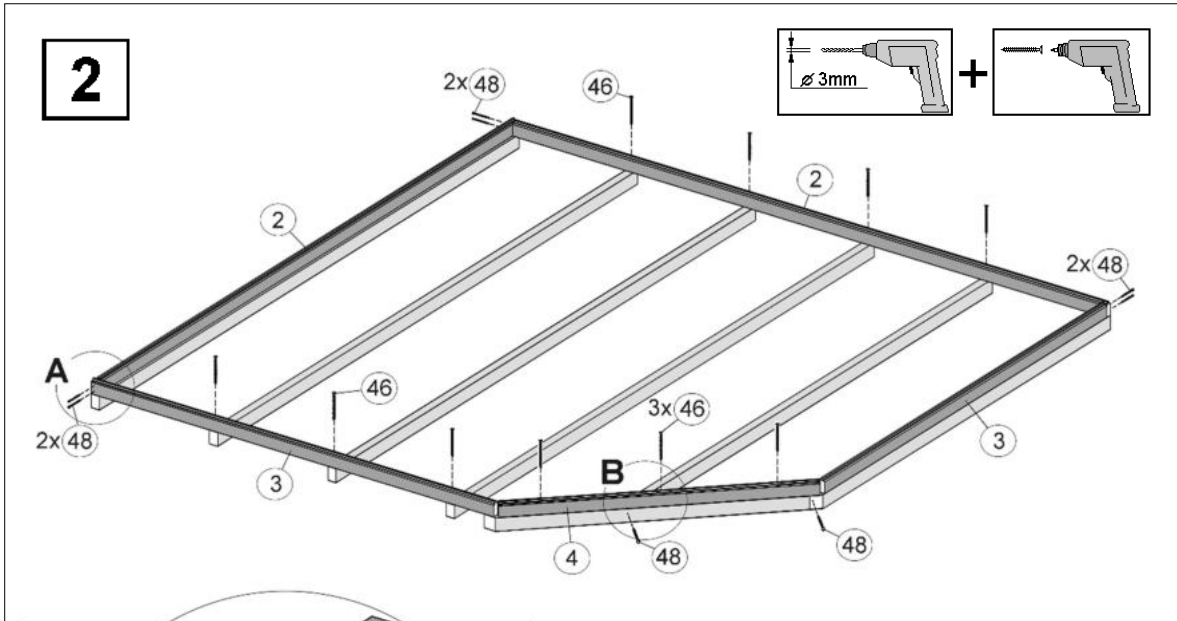
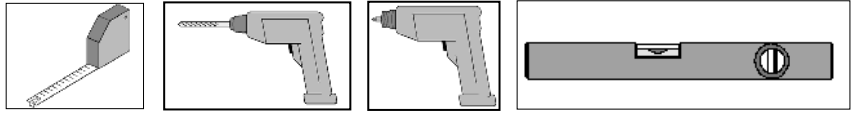
# Fußbodenmontage

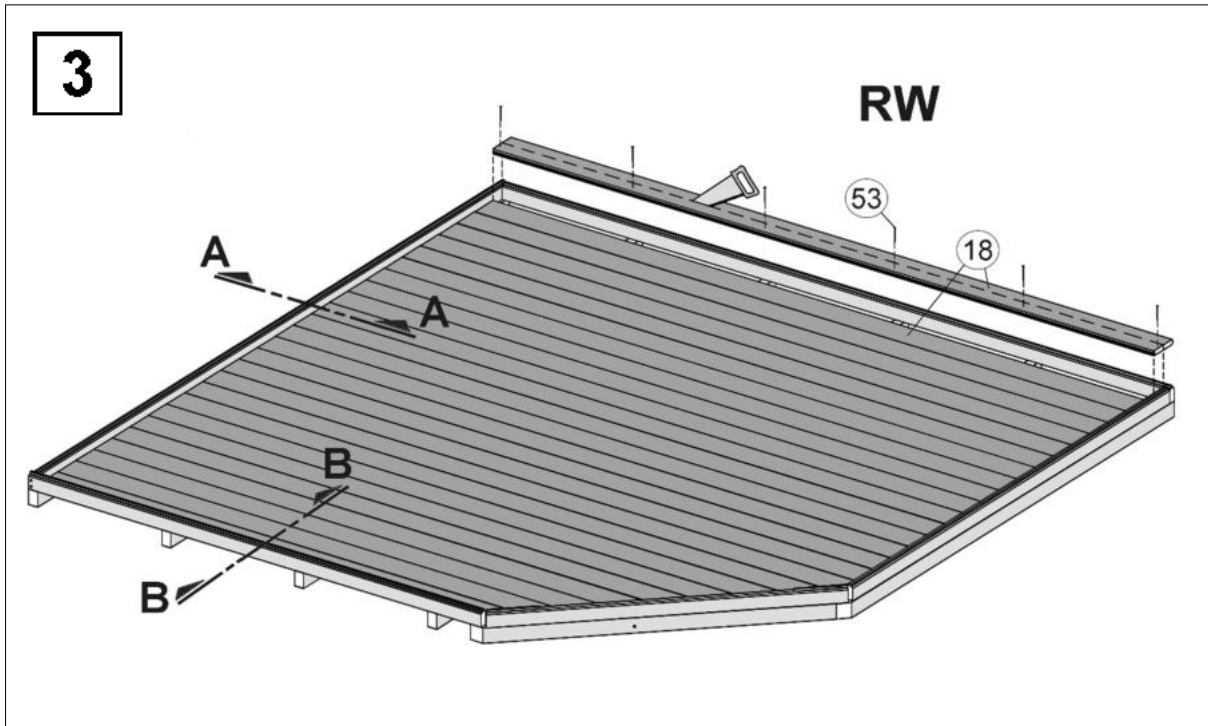
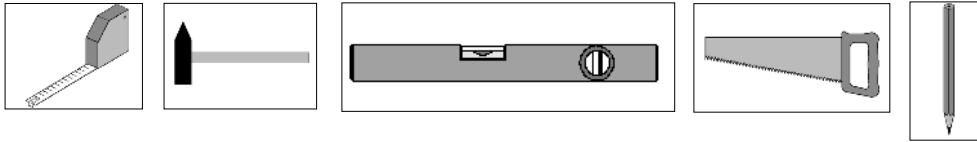
|    |                         |
|----|-------------------------|
| en | Floor assembly          |
| fr | montage du plancher     |
| it | montaggio del pavimento |



**1**

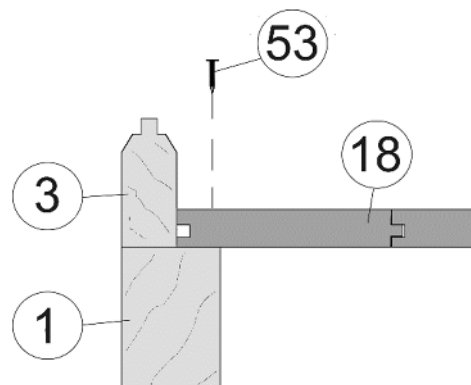
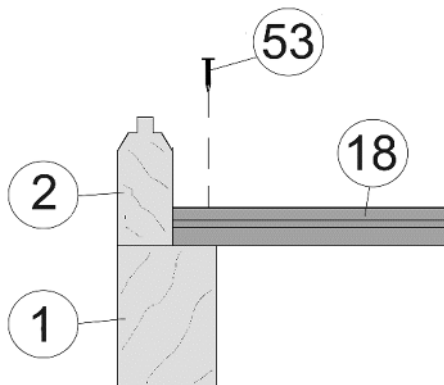




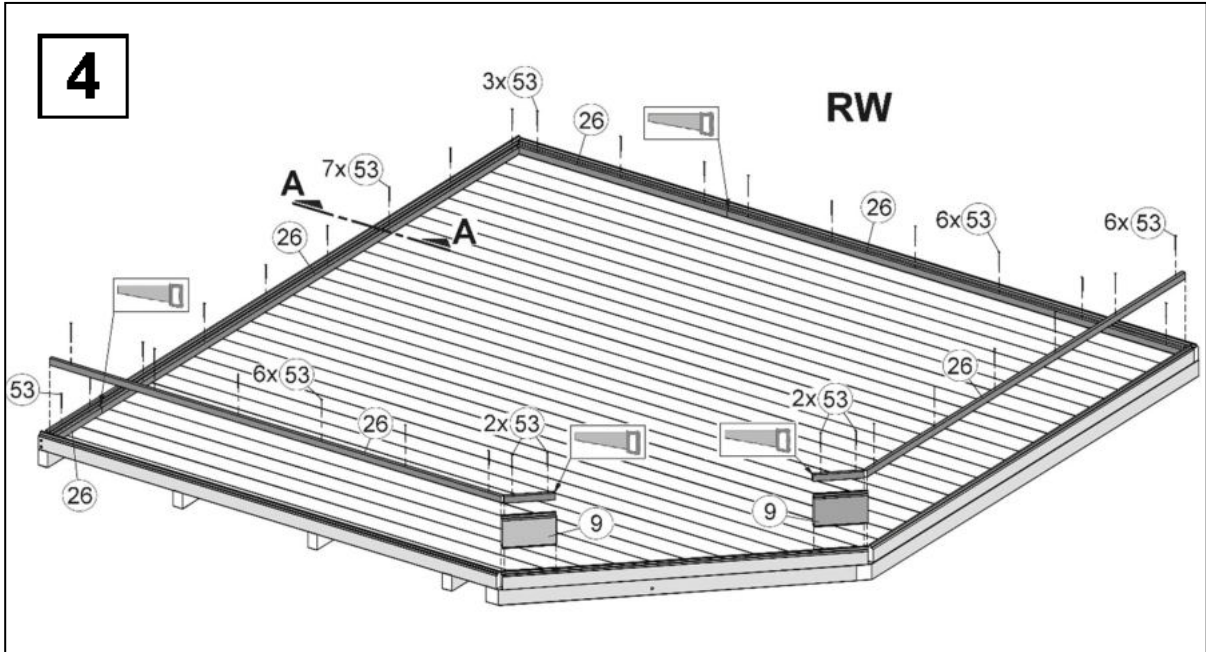


**A-A**

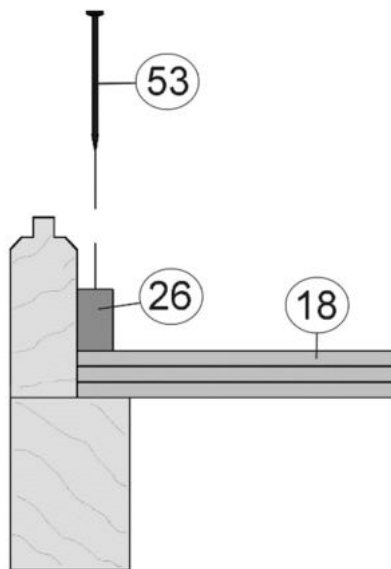
**B-B**





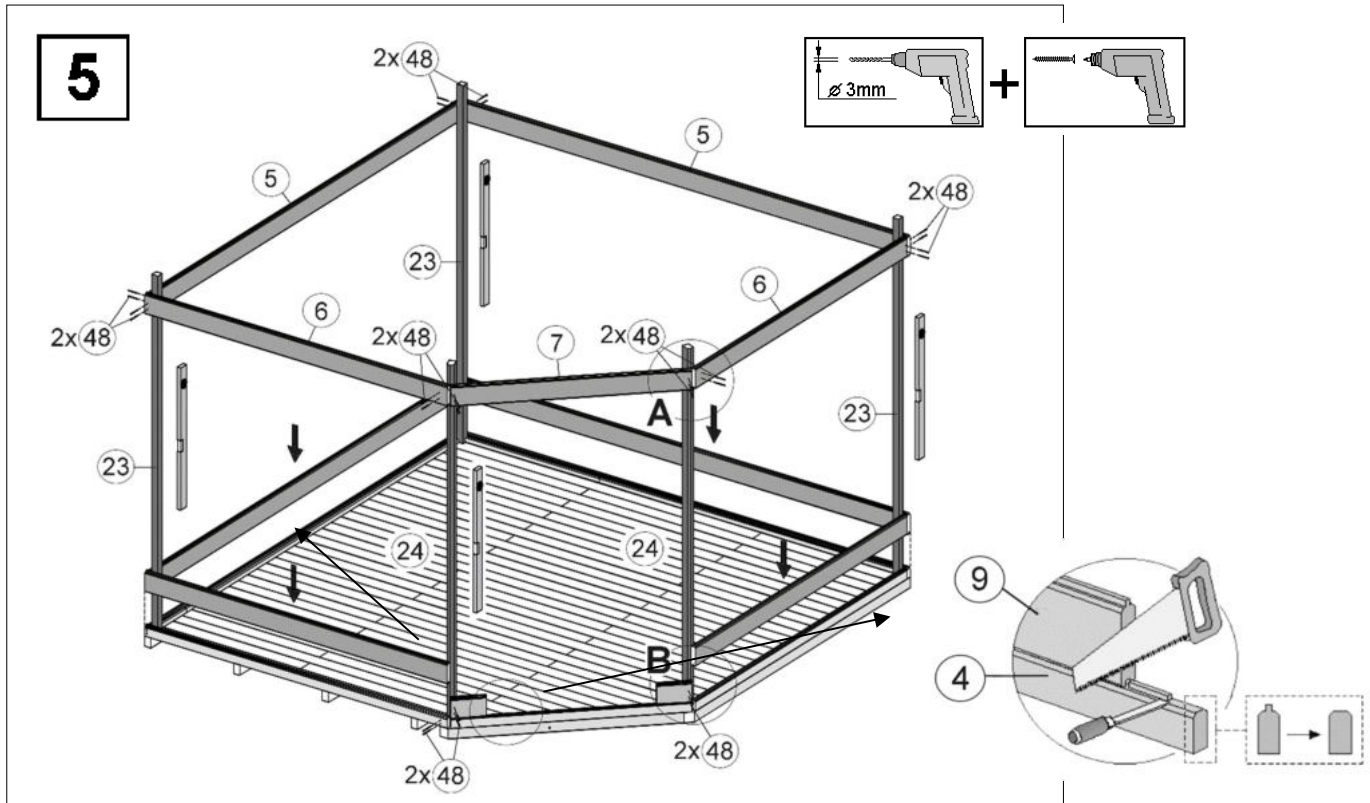
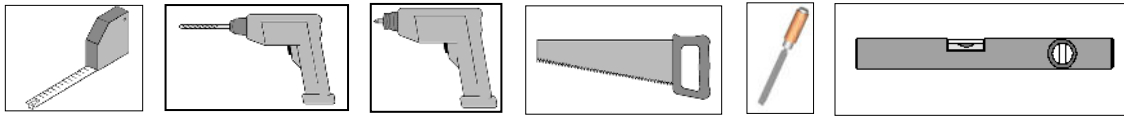


**A-A**

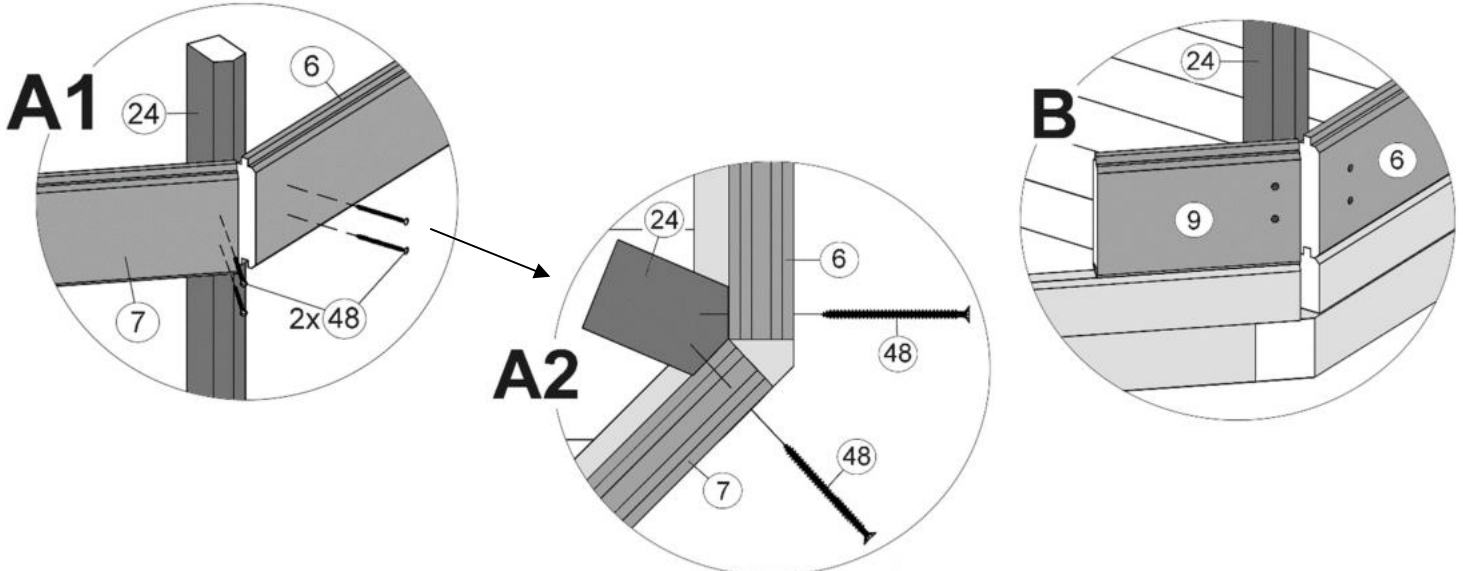


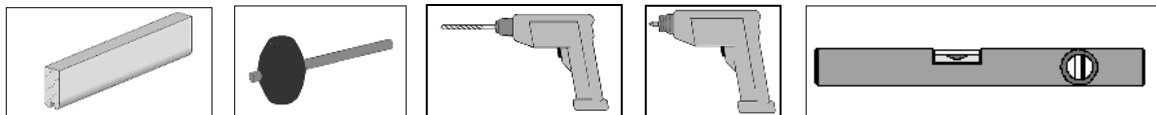
# Wandaufbau

|    |                        |
|----|------------------------|
| en | Wall structure         |
| fr | montage de la paroi    |
| it | struttura della parete |

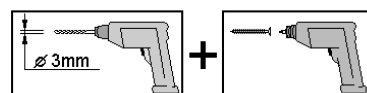
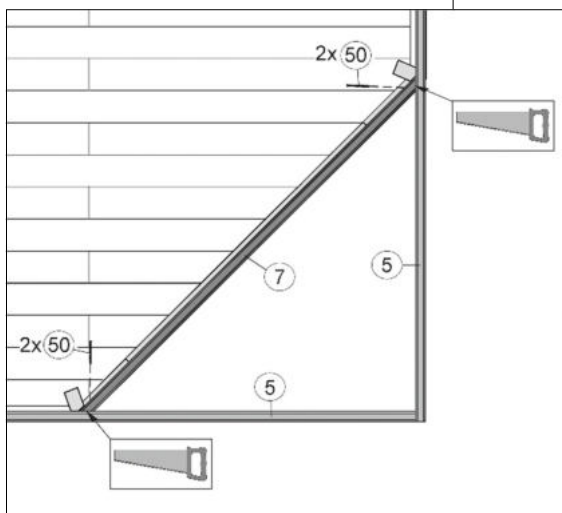
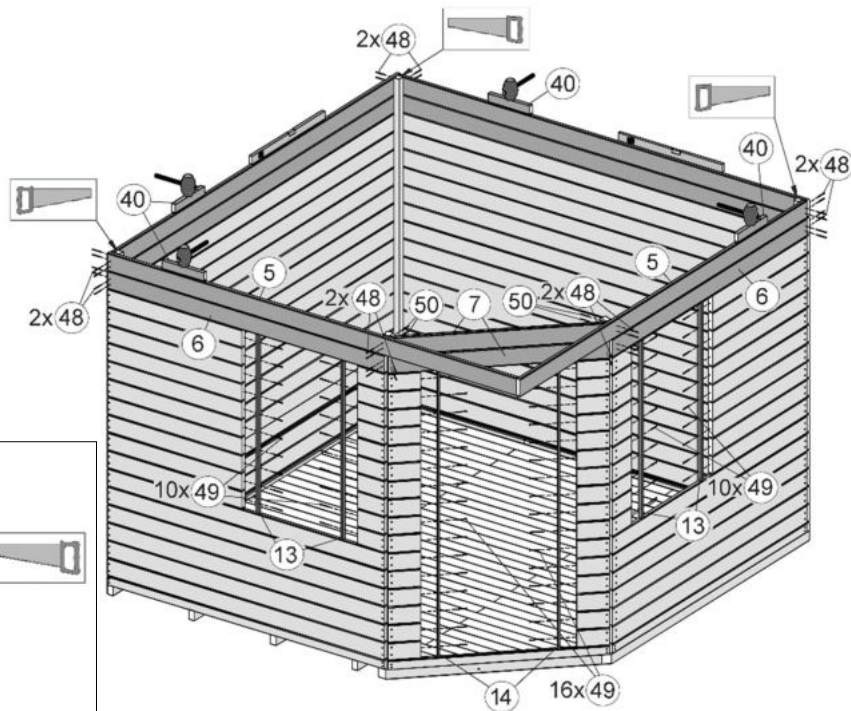
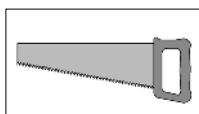
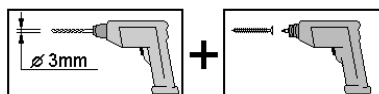
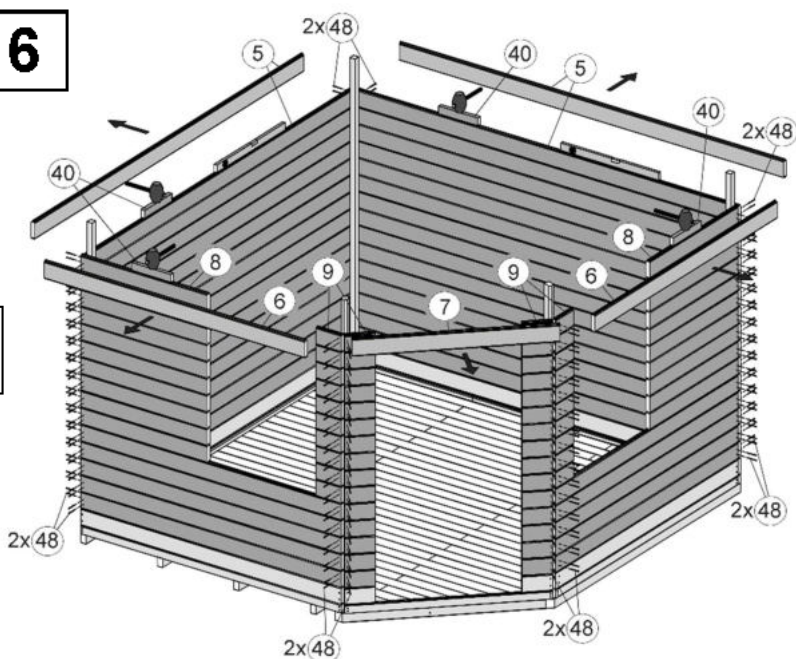


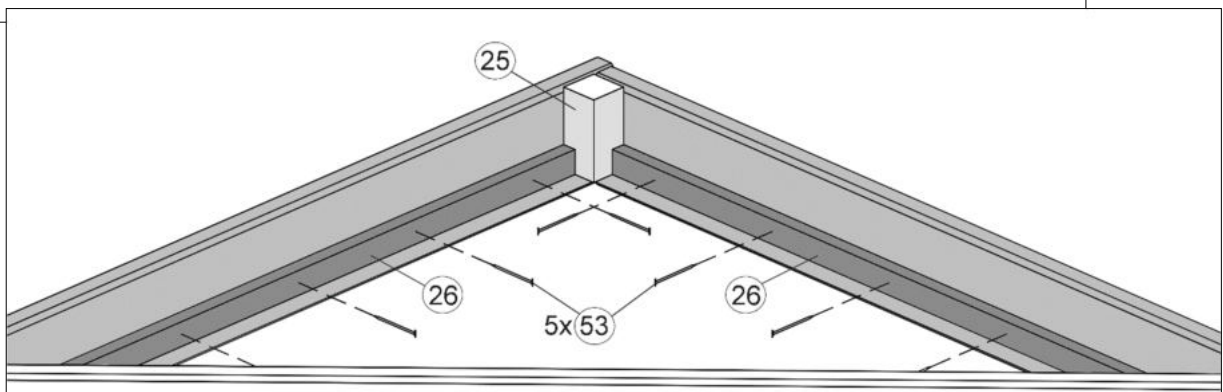
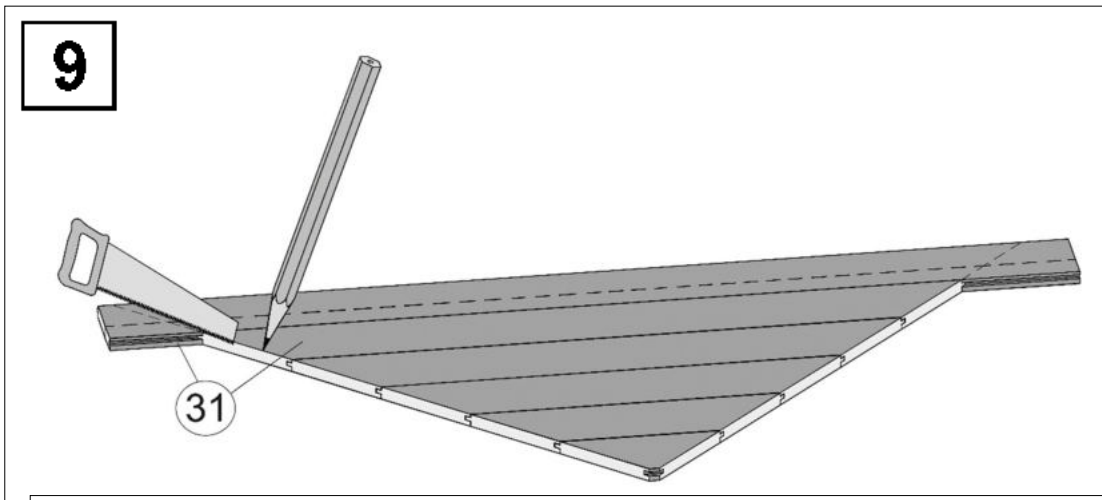
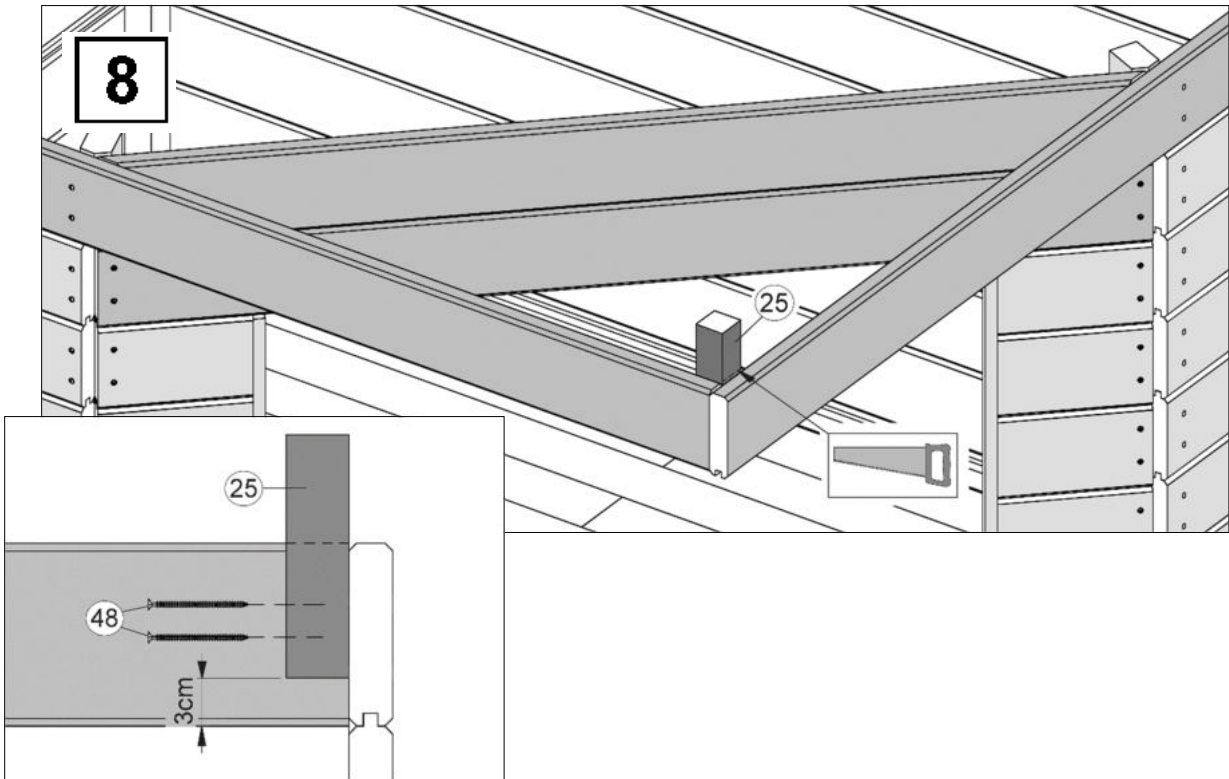
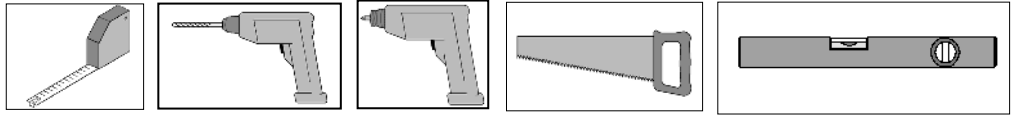
- de - Die oberen Wandbohlen werden nur vorübergehend als Montagehilfe befestigt ( Abb.5), später wieder abgenommen und an anderer Stelle montiert. (Abb.6)
- en - The upper wall boards are only temporarily fixed as a mounting aid (fig. 5), they are later removed and mounted again in another position (fig. 6).
- fr - Les madriers supérieurs ne sont fixés que provisoirement pour faciliter le montage (Fig.5). Ils seront retirés par la suite et montés à un autre endroit. (Fig. 6)
- it - Le assi superiori delle pareti vengono montate solo provvisoriamente come supporto per l'assemblaggio Fig.5), e successivamente di nuovo rimosse ed installate in altro luogo. (Fig.6)

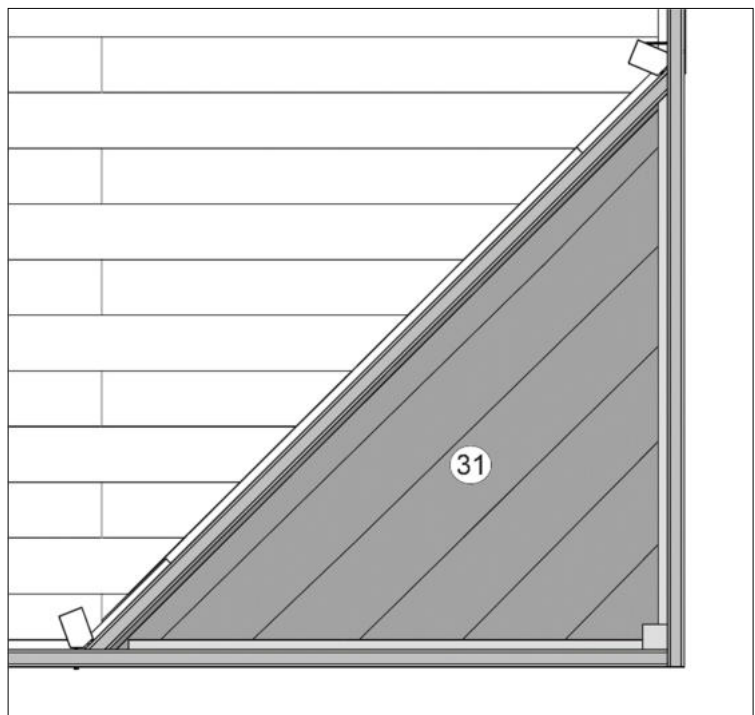
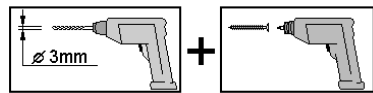
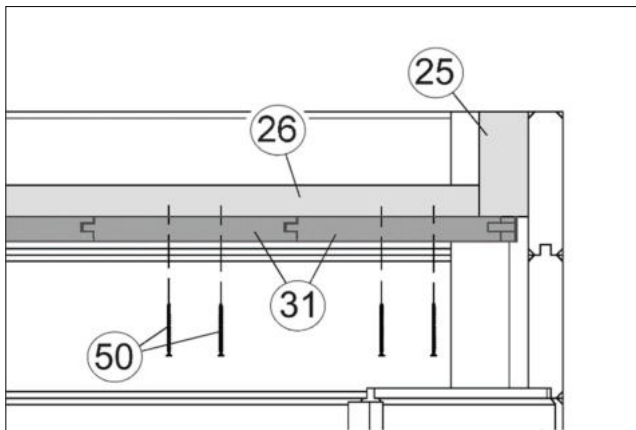
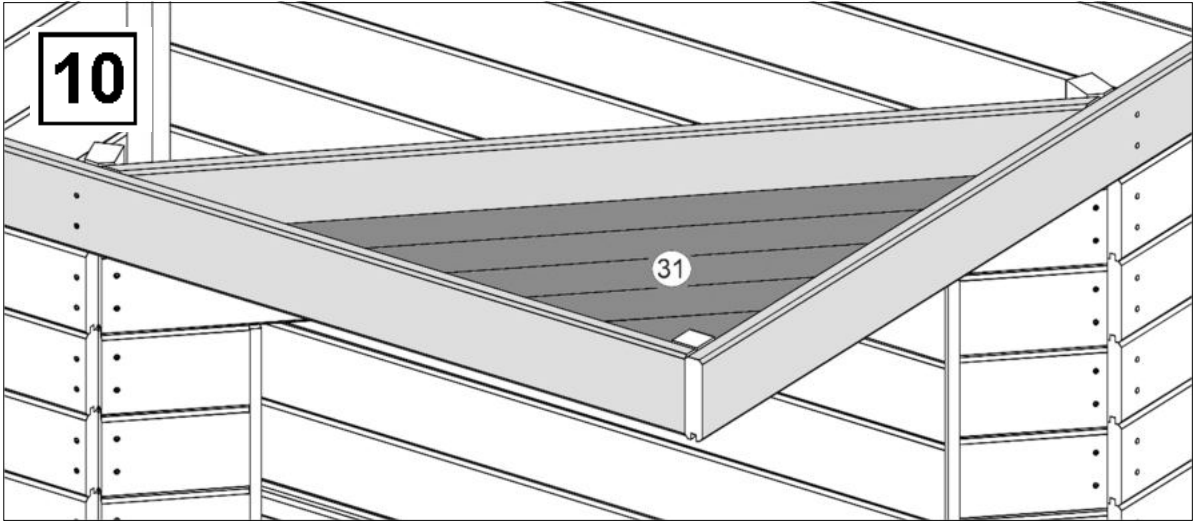
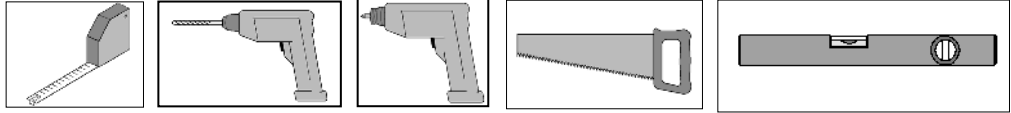




**6**

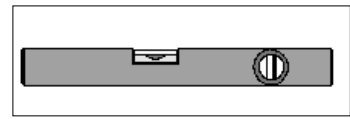
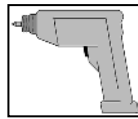
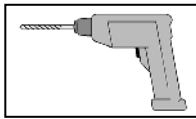
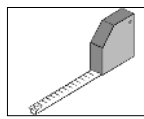
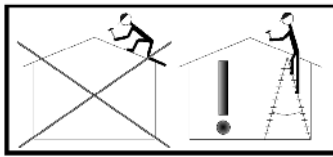




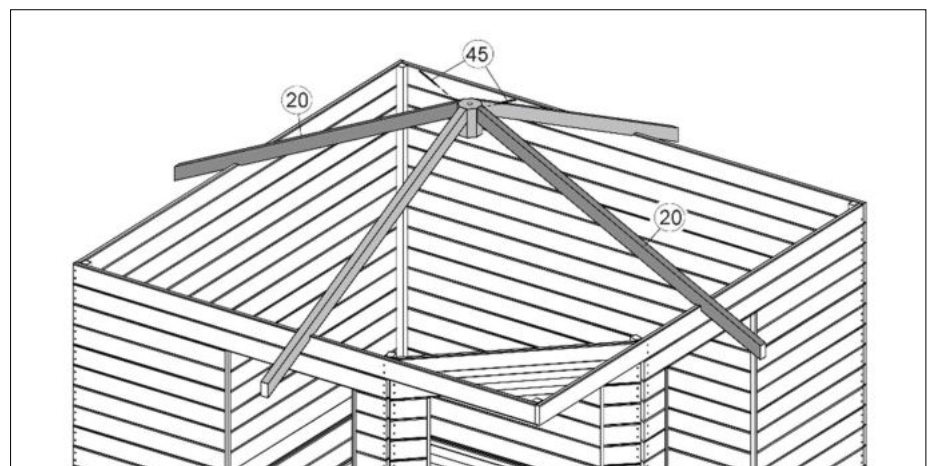
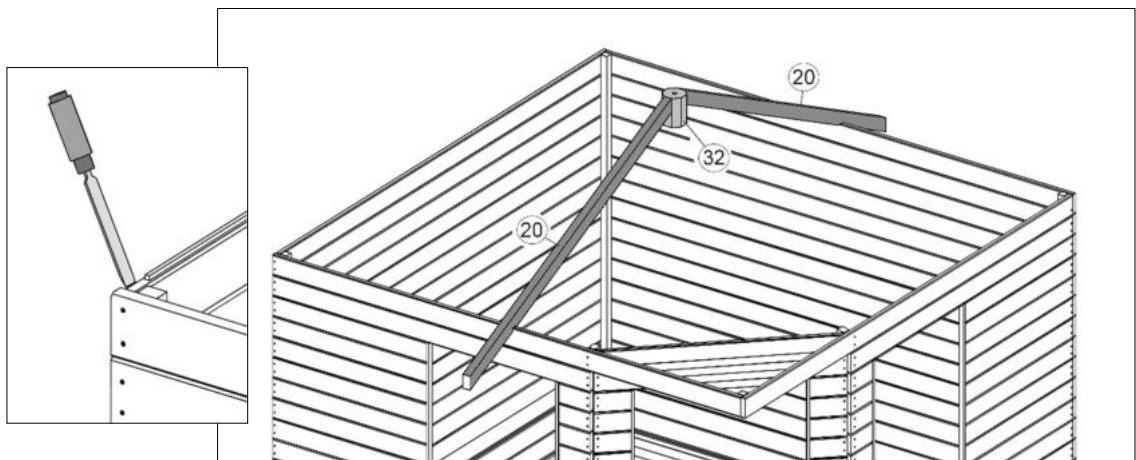
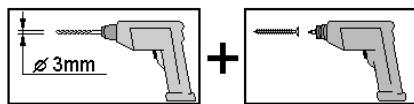
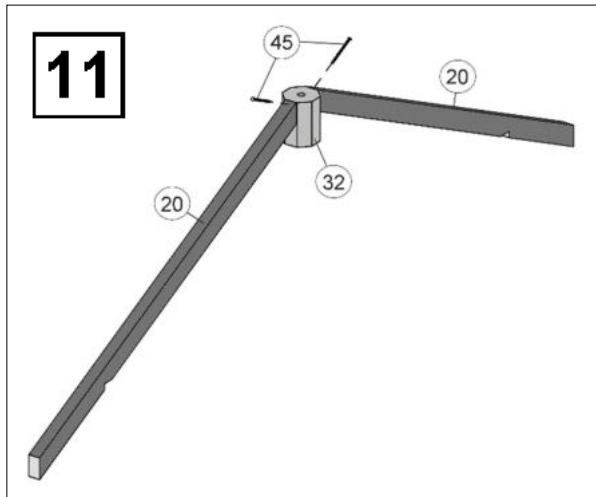


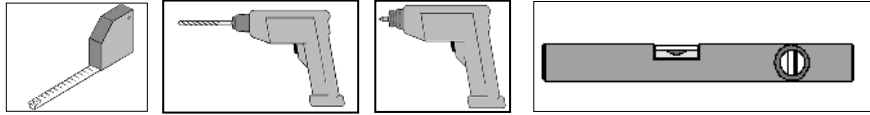
# Dachaufbau

|    |                     |
|----|---------------------|
| en | Roof assembly       |
| fr | montage du toit     |
| it | montaggio del tetto |

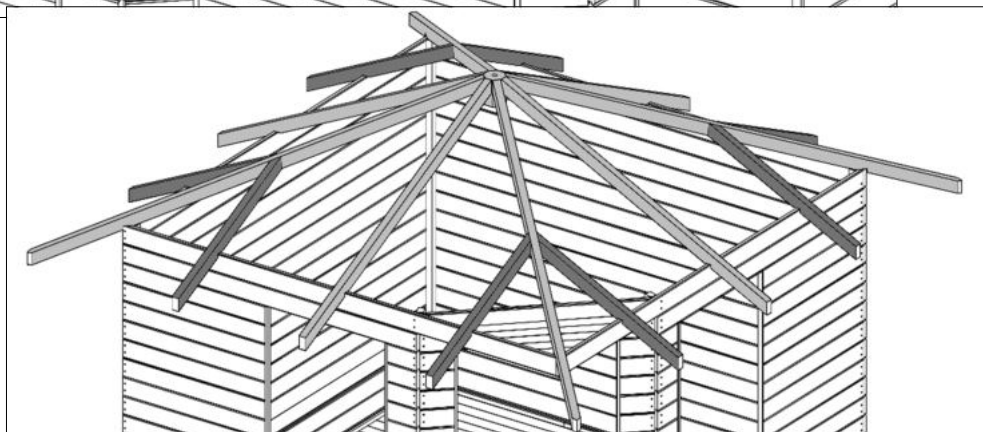
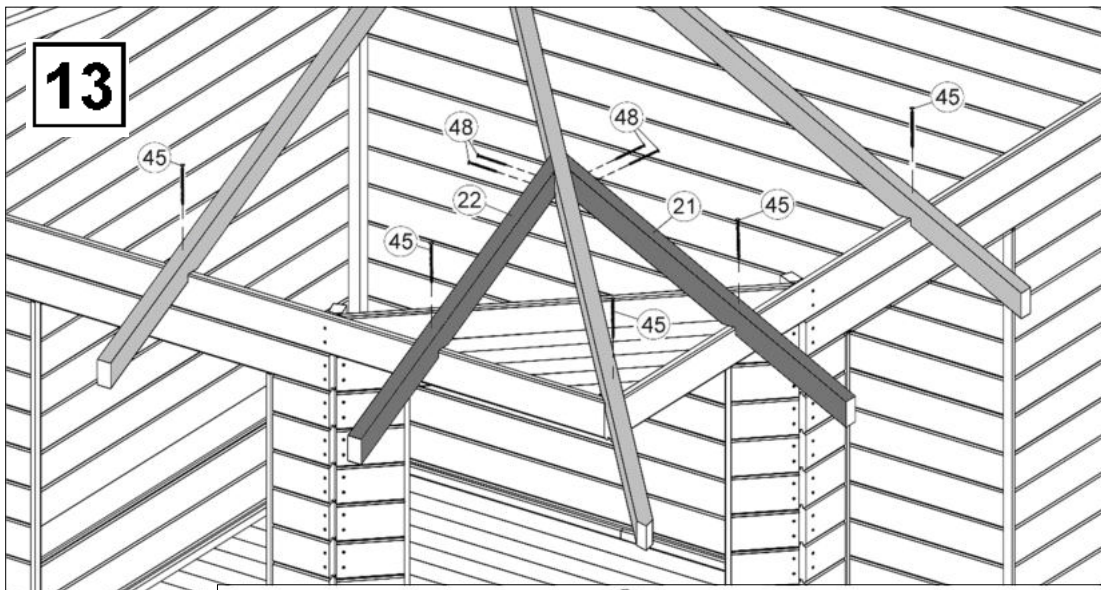
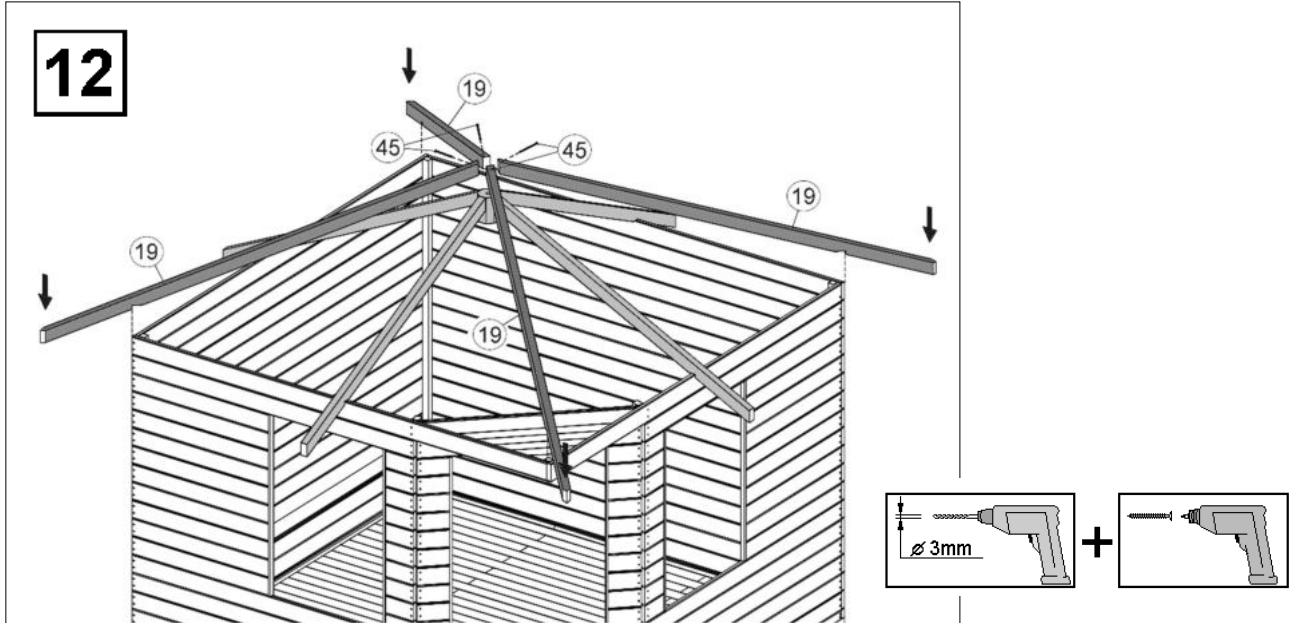


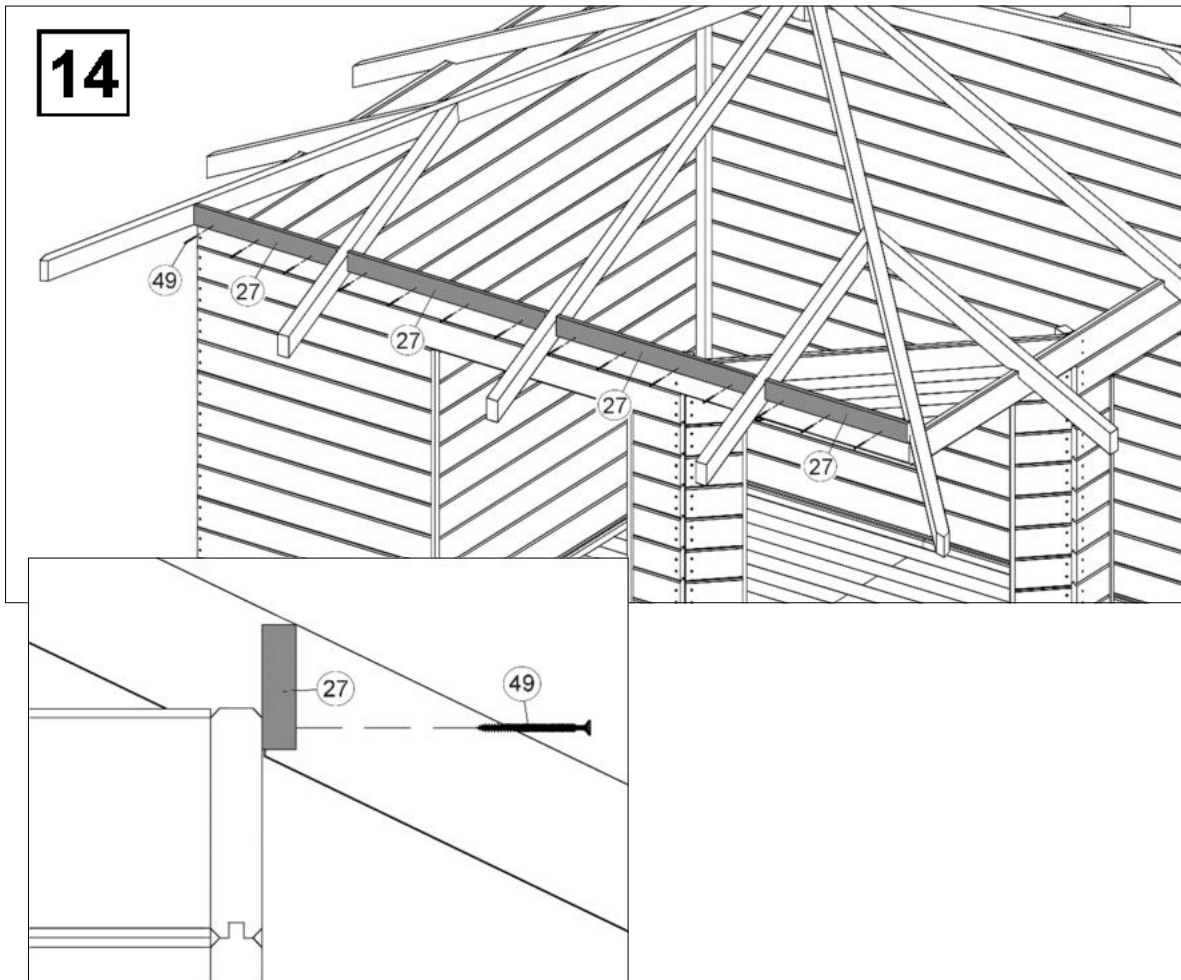
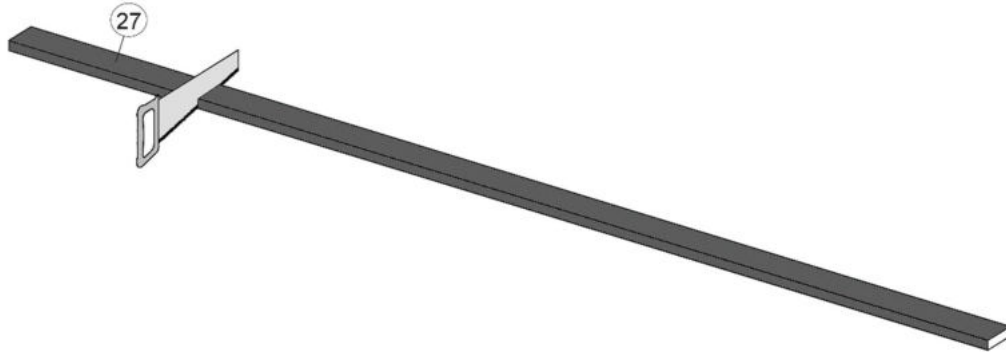
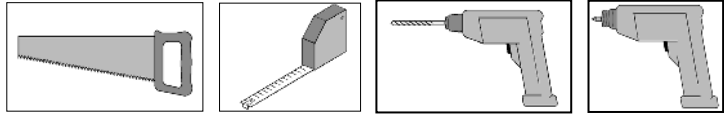
**Art.-Nr.:149.3030.00**



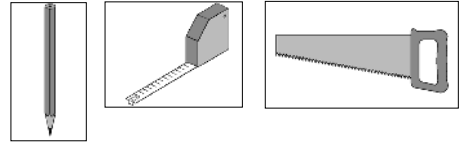
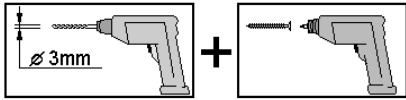


Art.-Nr.:149.3030.00

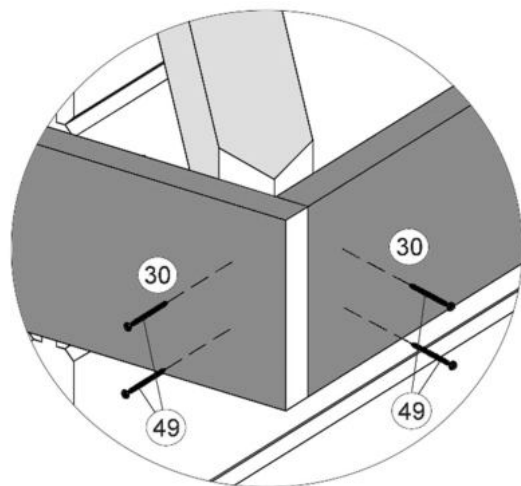
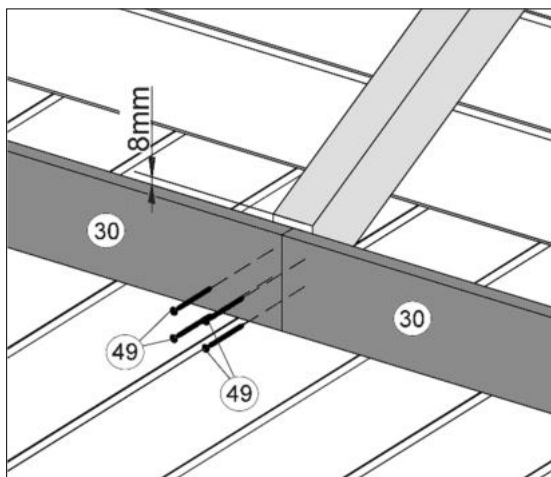
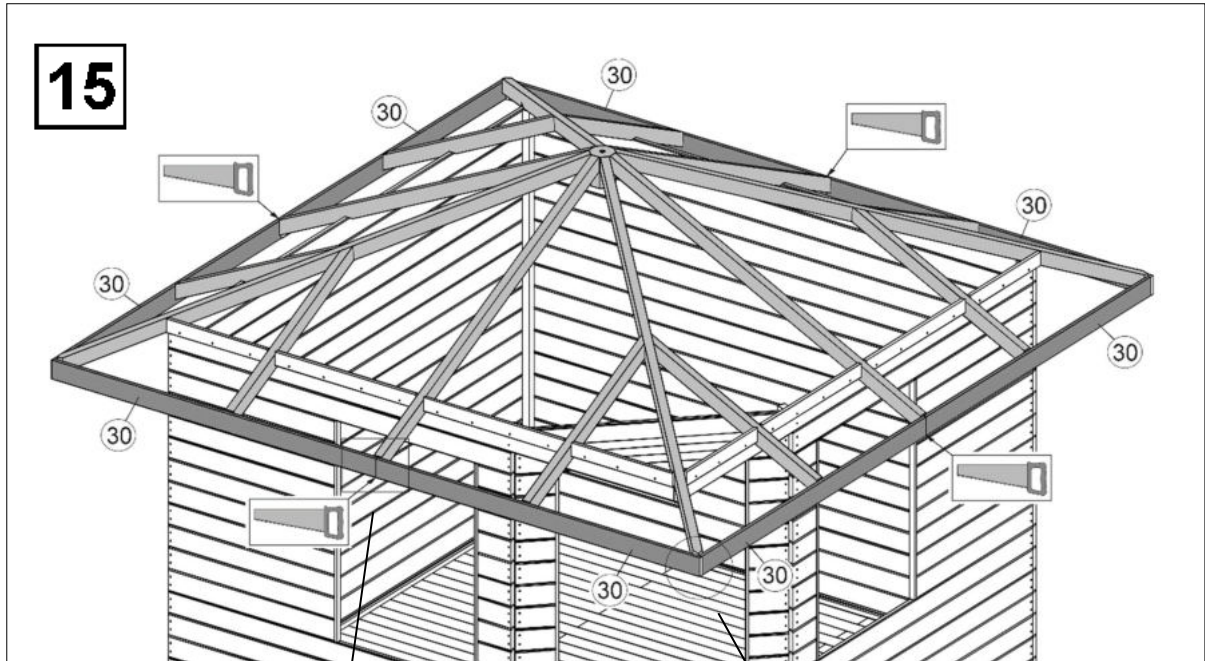


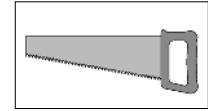
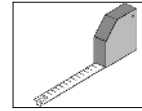
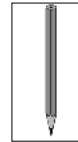
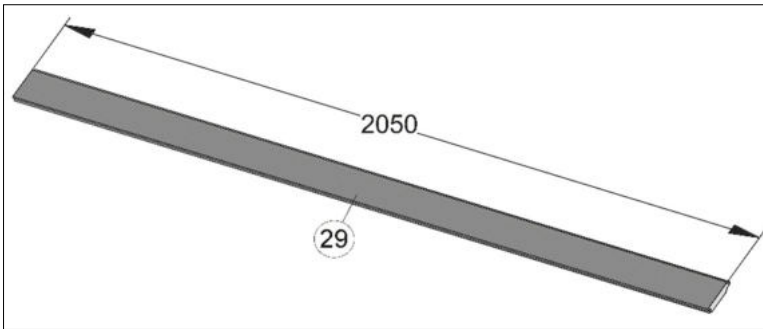






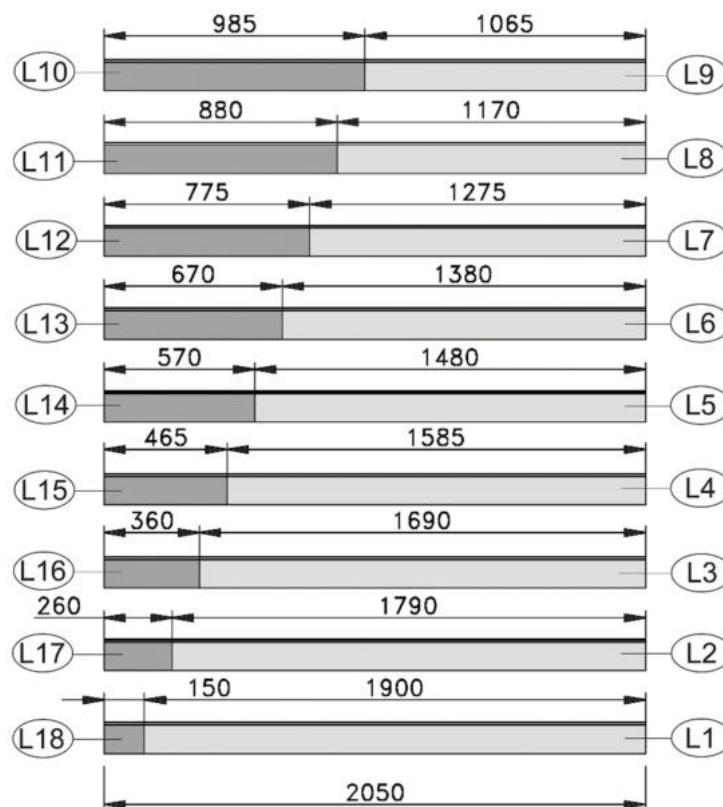
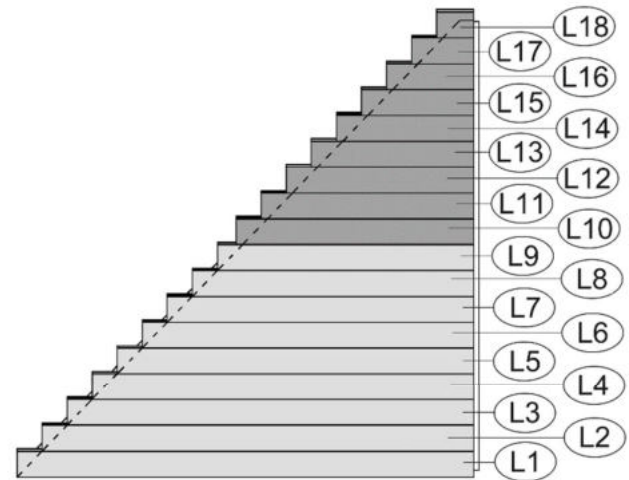
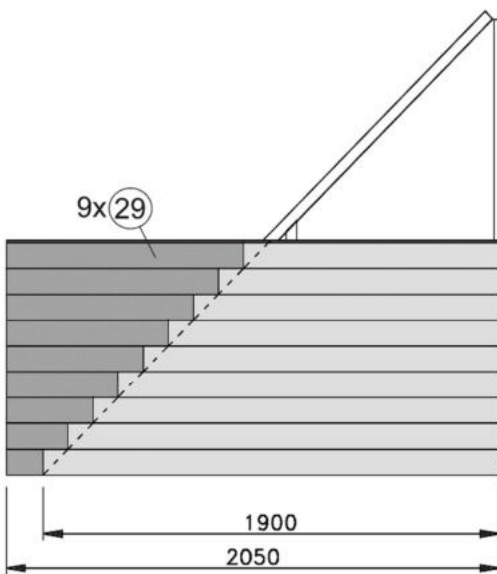
Art.-Nr.:149.3030.00



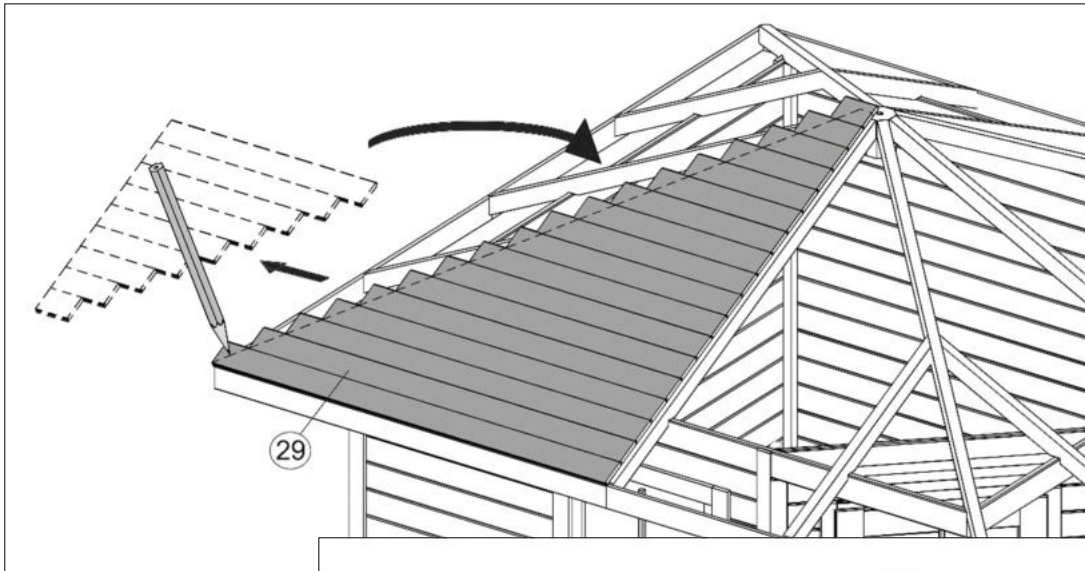
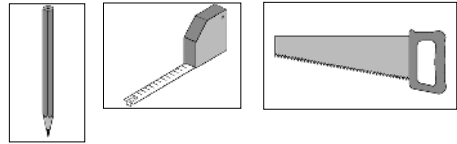


Art.-Nr.:149.3030.00

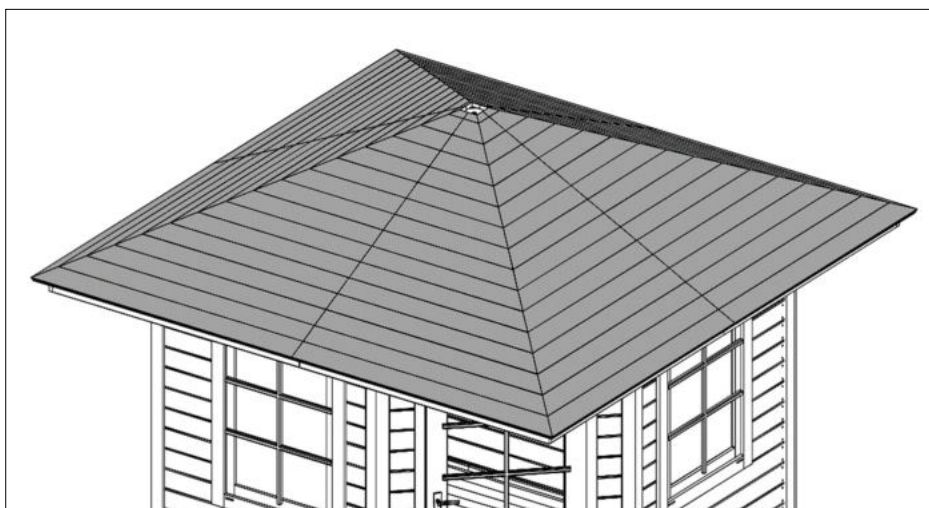
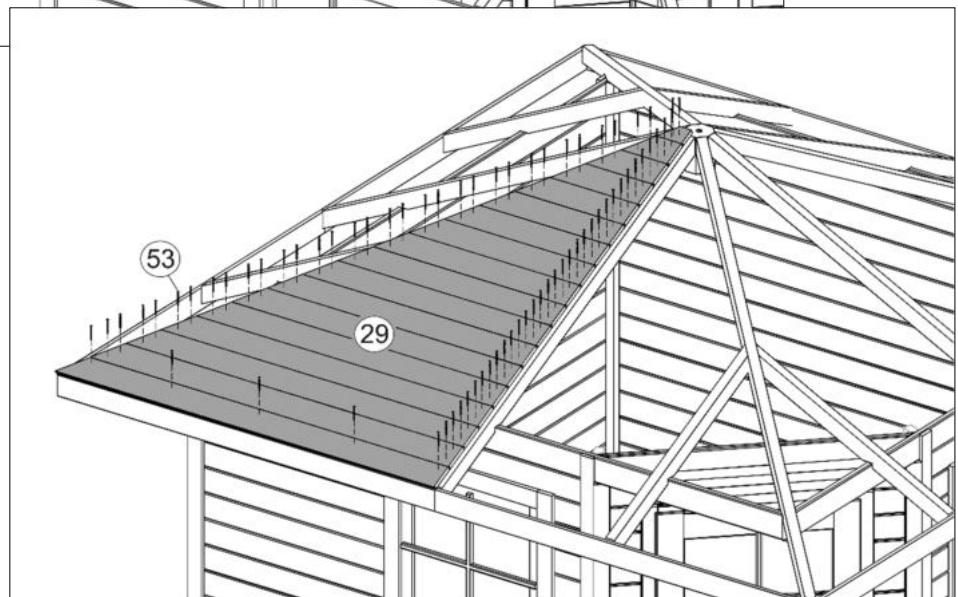
16

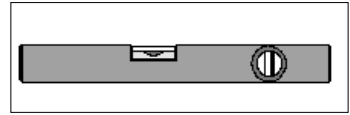
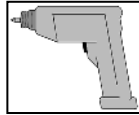
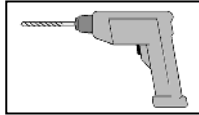
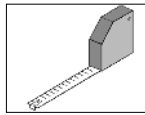
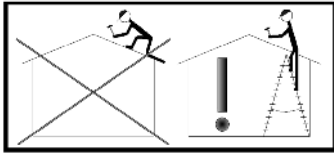


Art.-Nr.: 149.3030.00

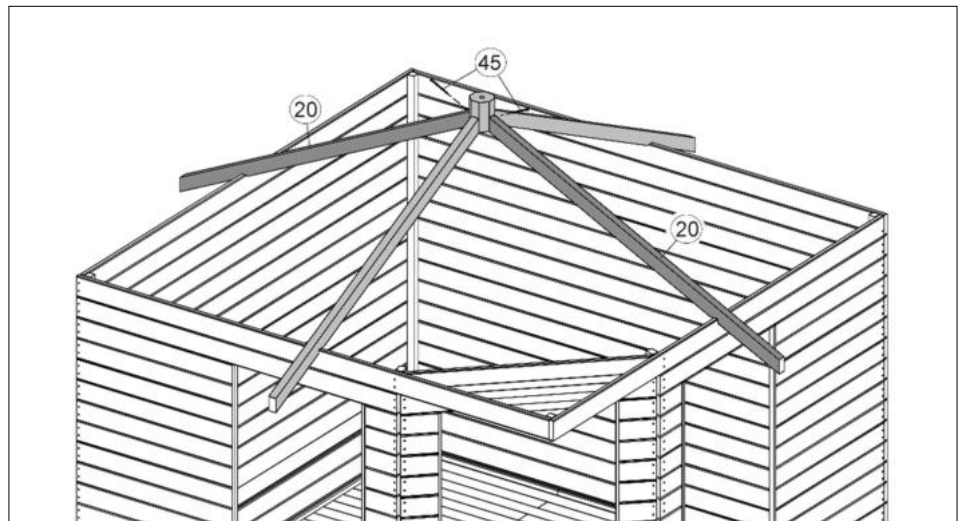
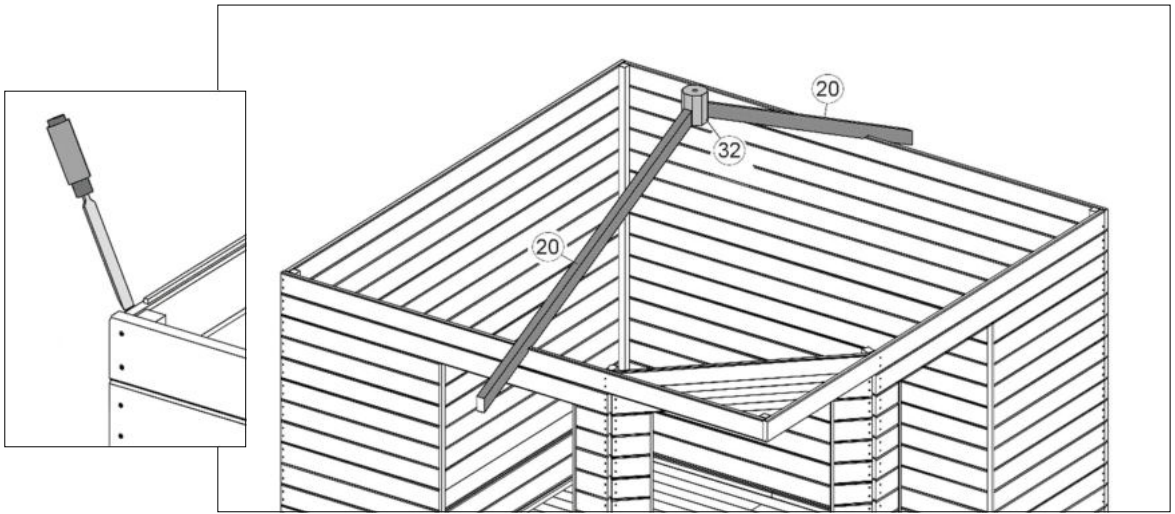
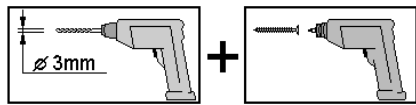
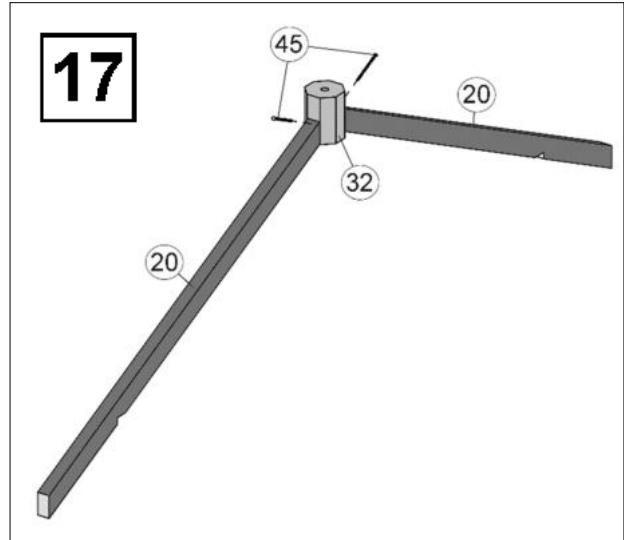


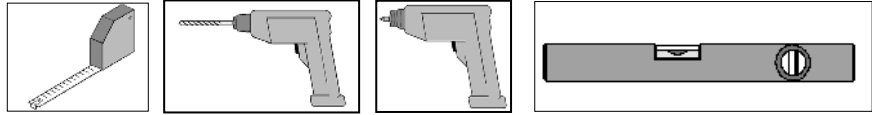
Dachüberstand ca. 4cm



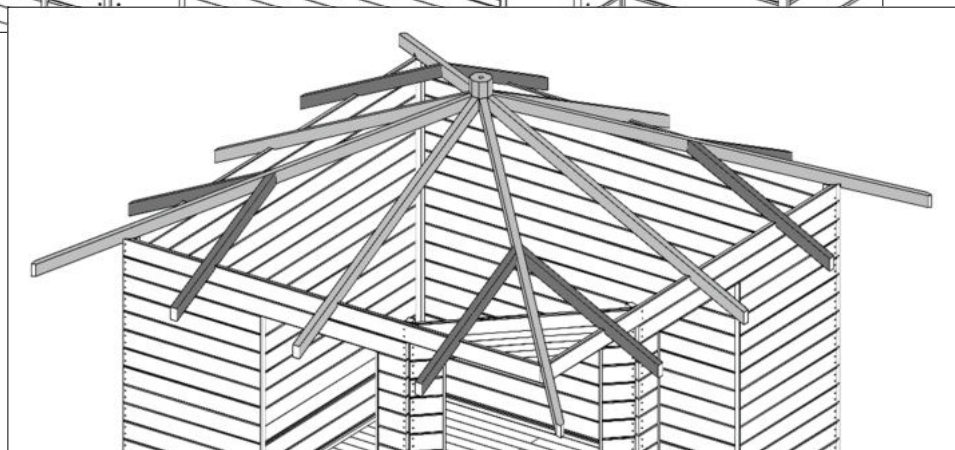
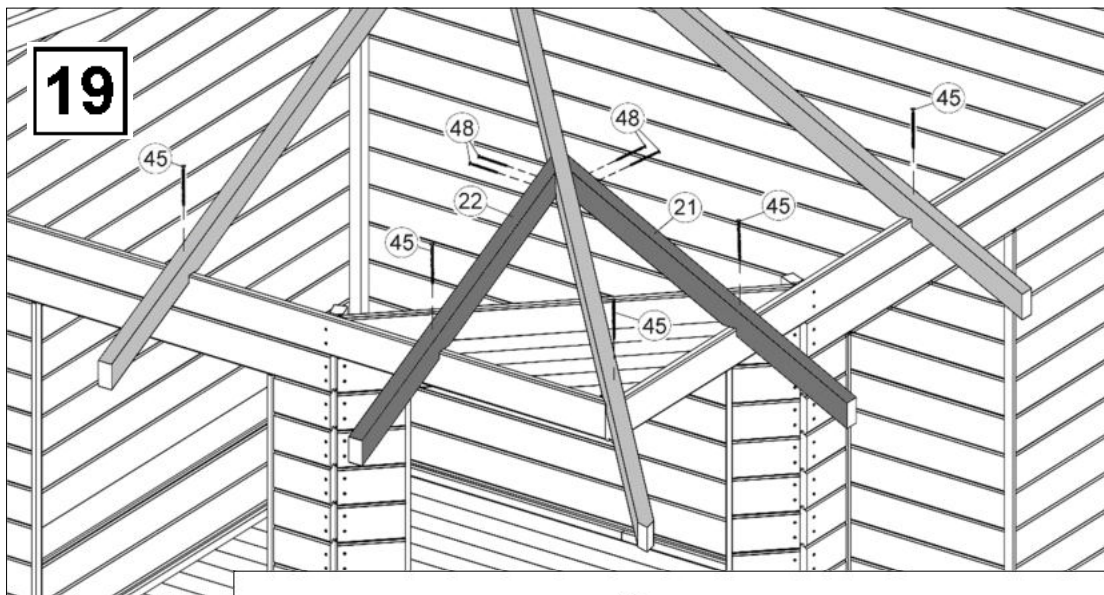
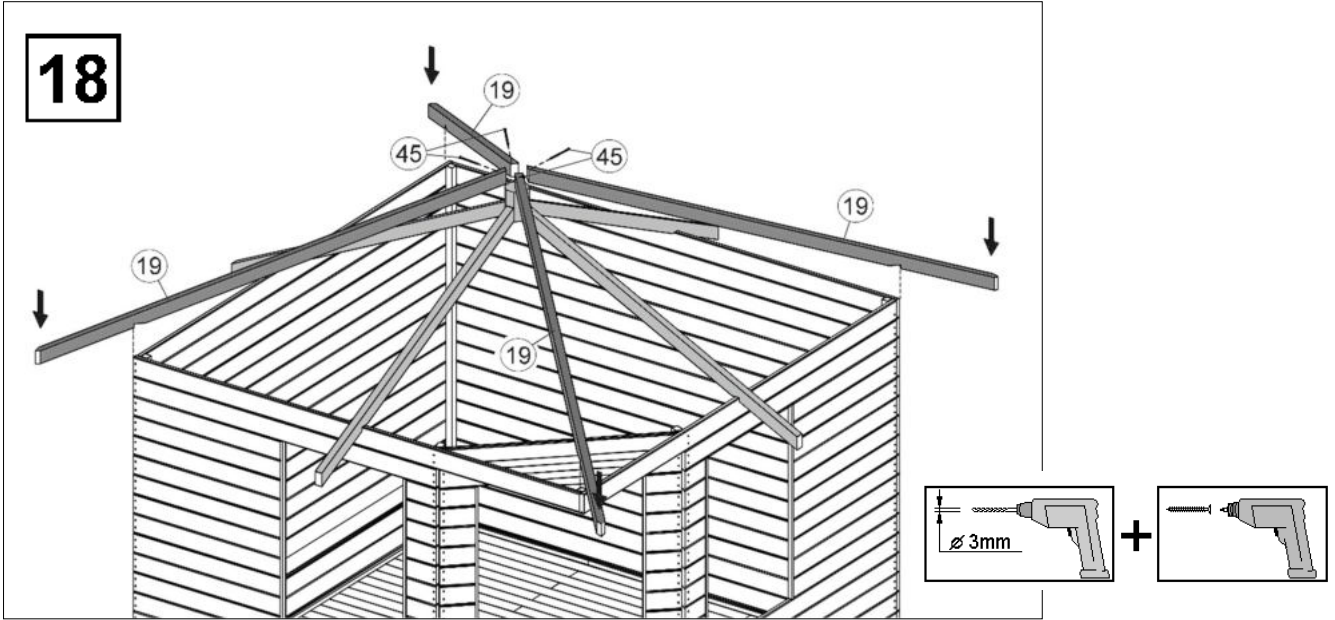


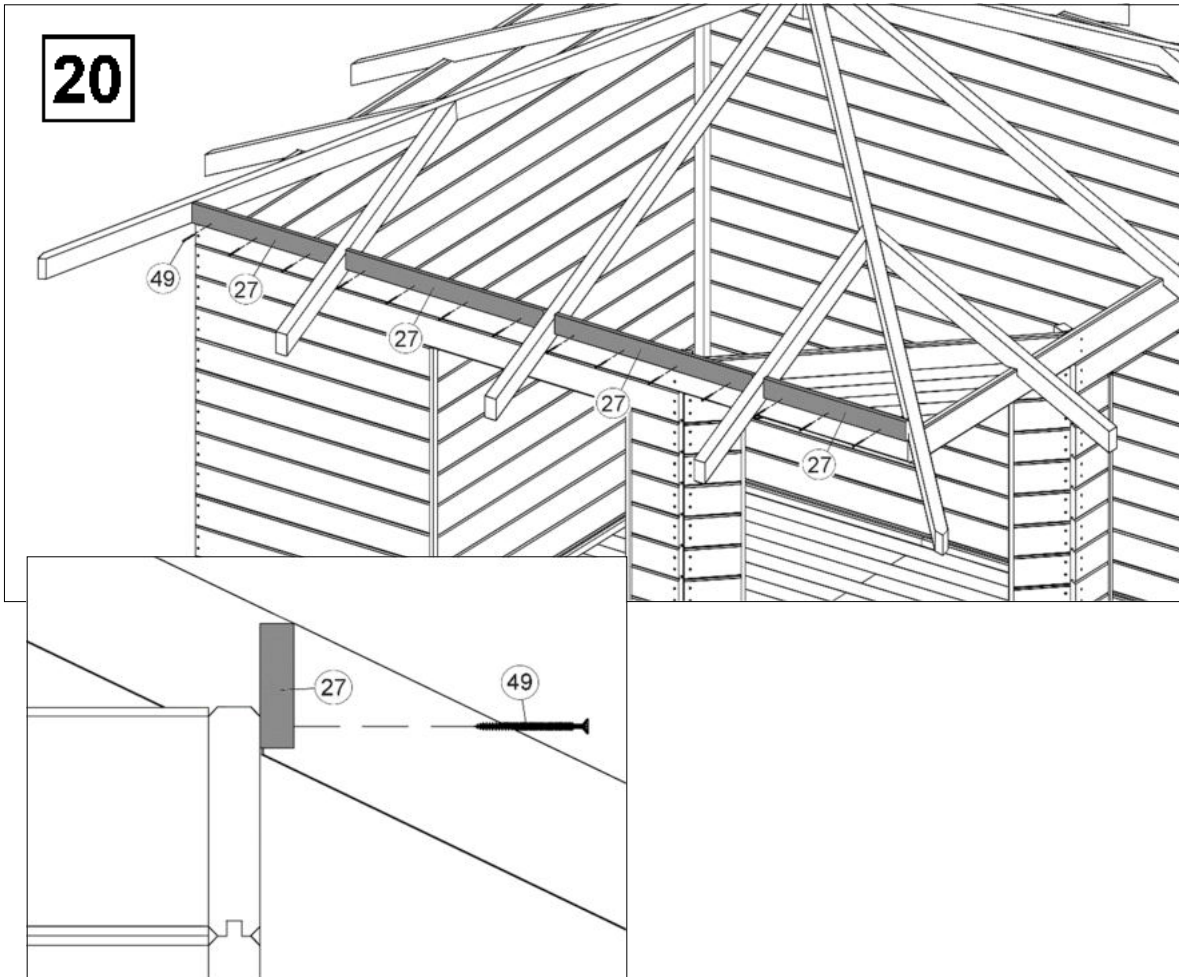
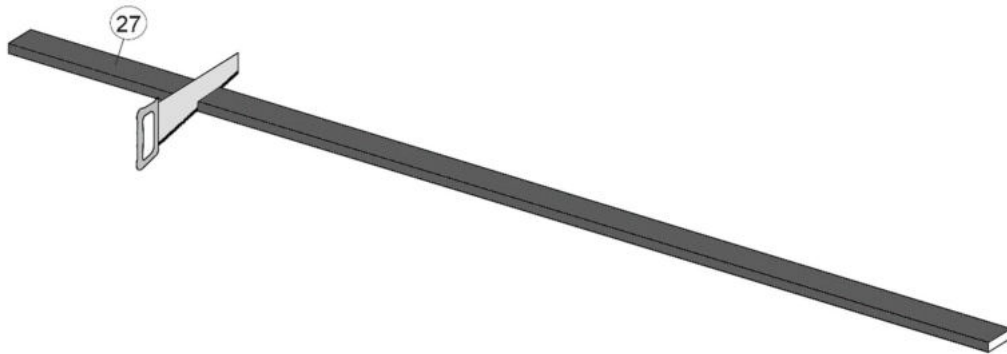
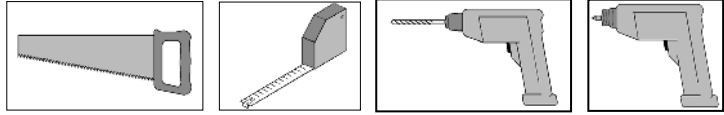
**Art.-Nr.:149.3030.10**

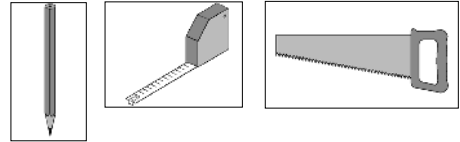
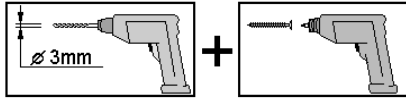




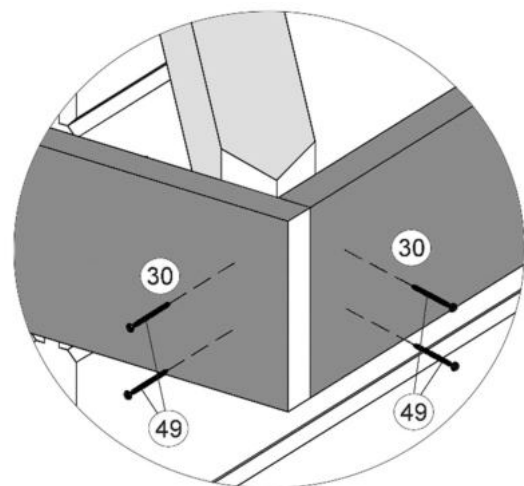
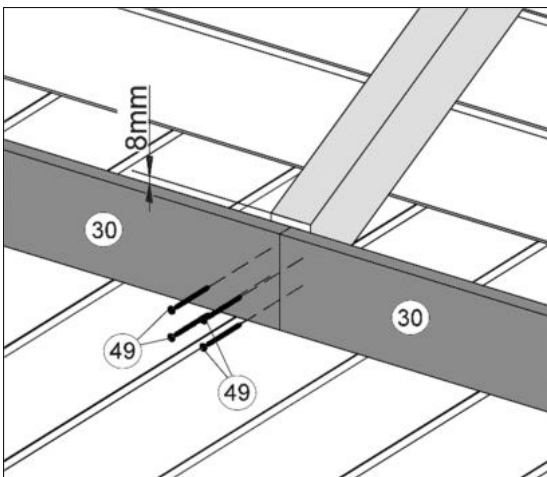
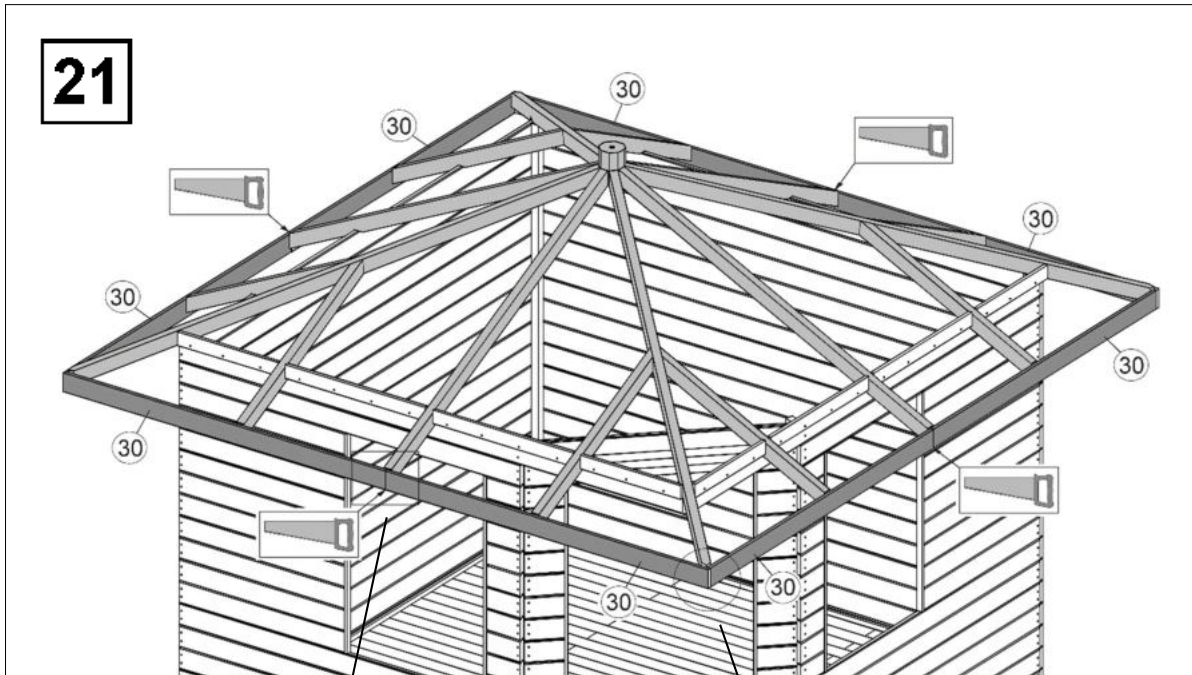
Art.-Nr.:149.3030.10



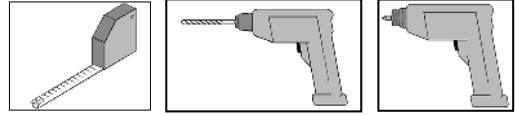




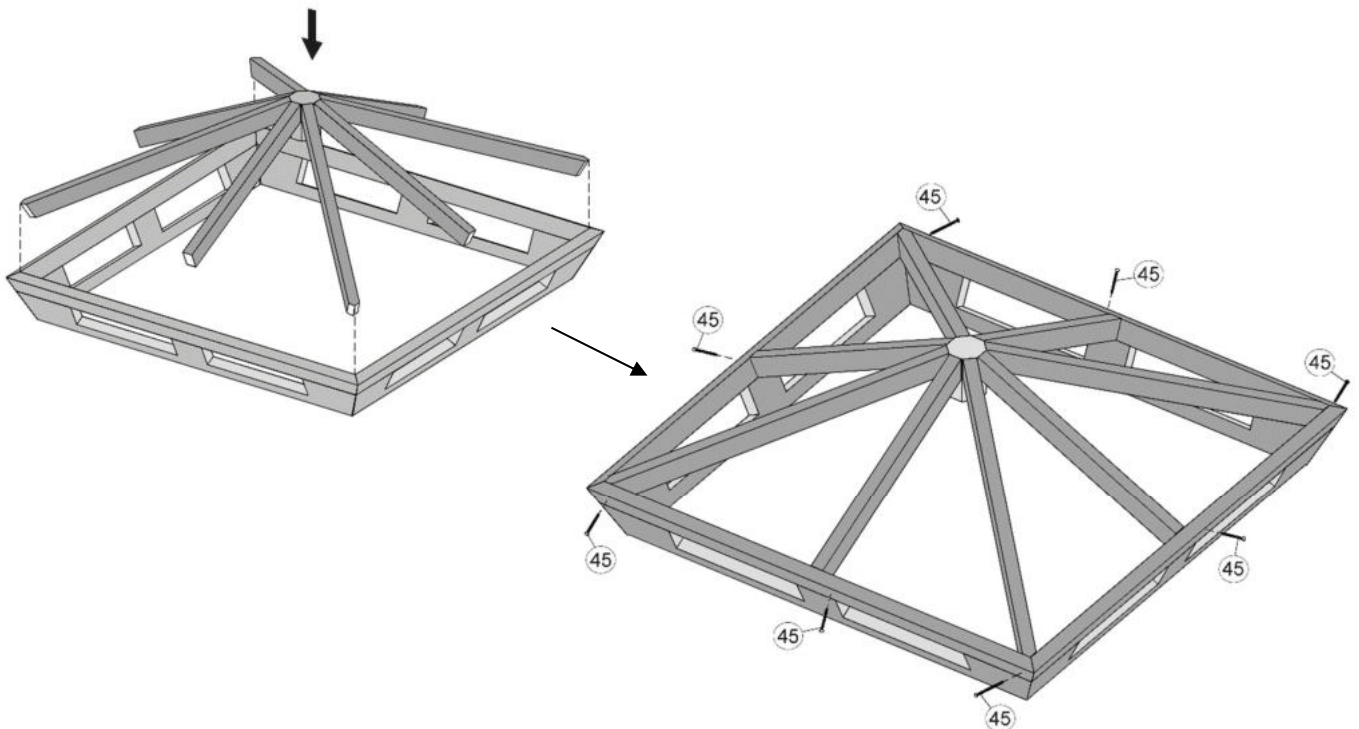
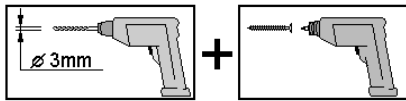
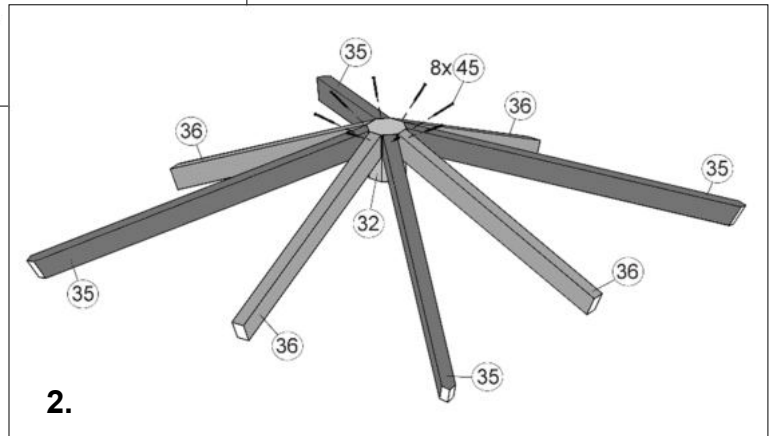
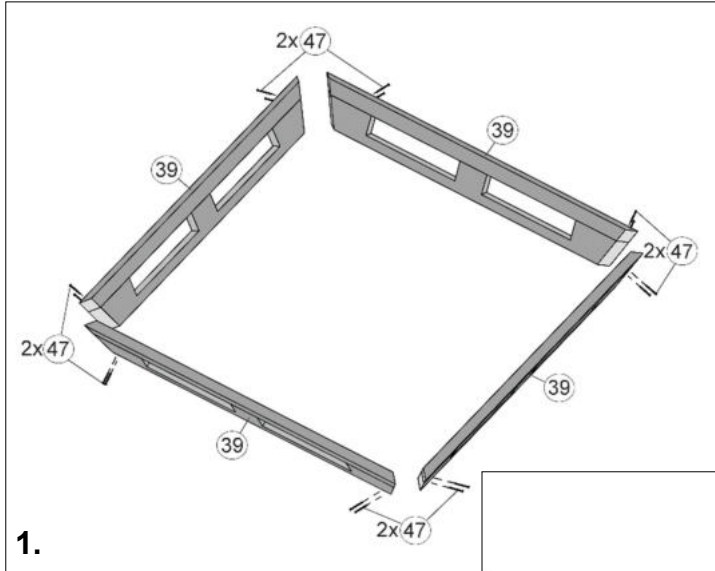
Art.-Nr.:149.3030.10



**22**

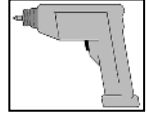
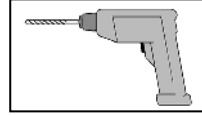
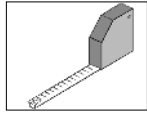


**Art.-Nr.:149.3030.10**

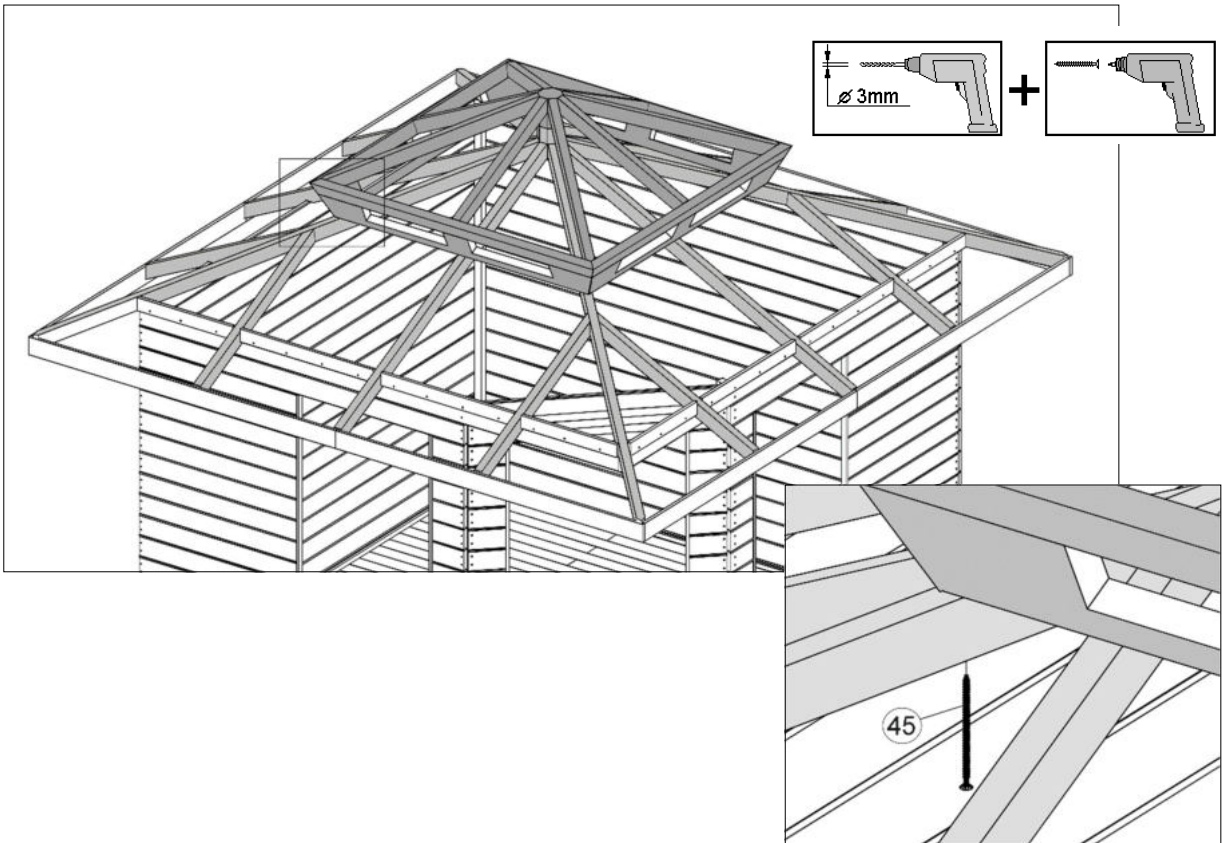
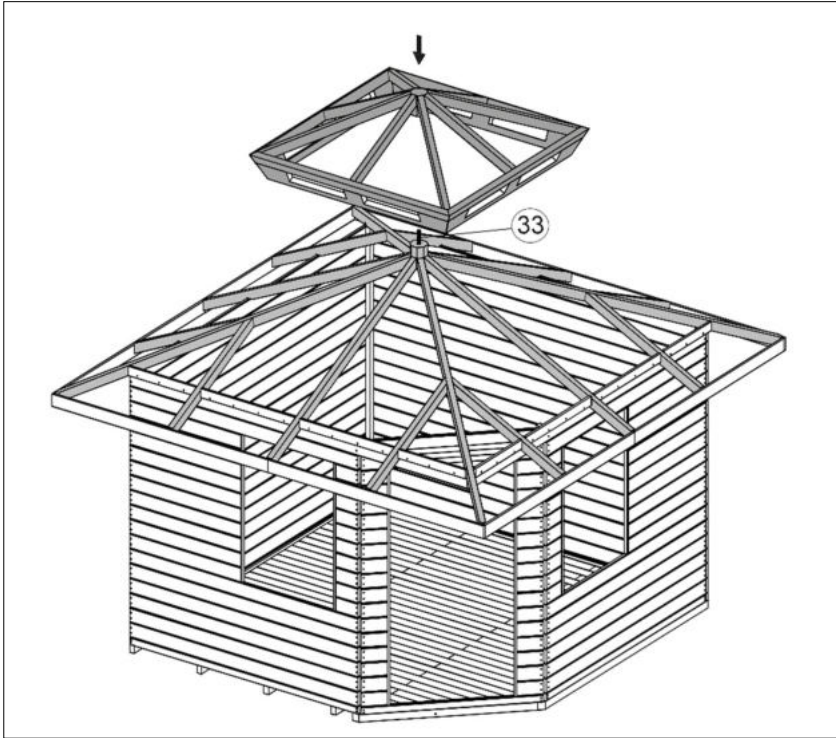


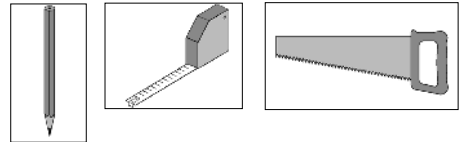
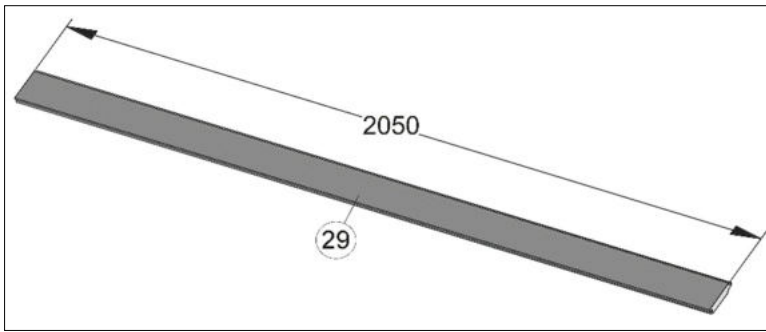


**23**



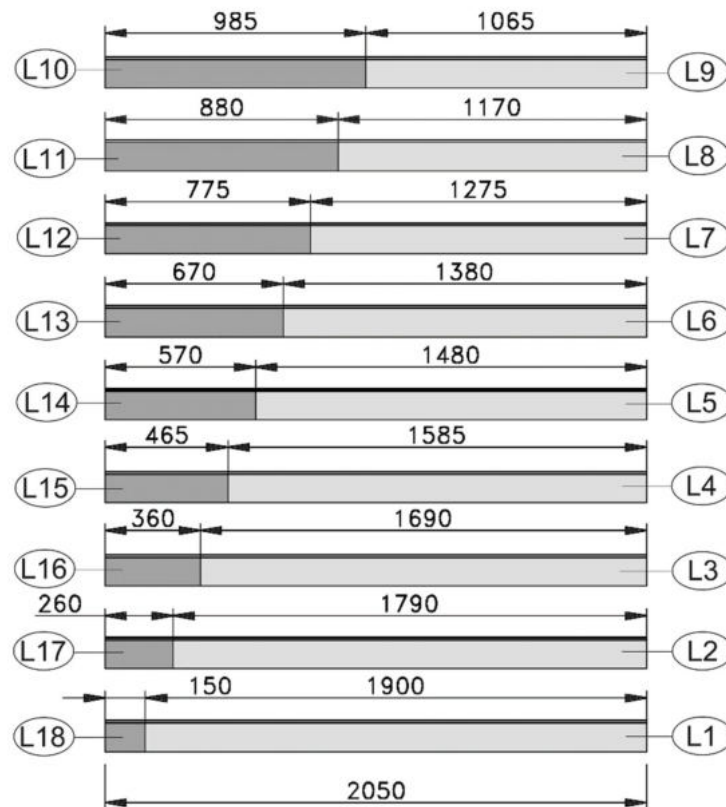
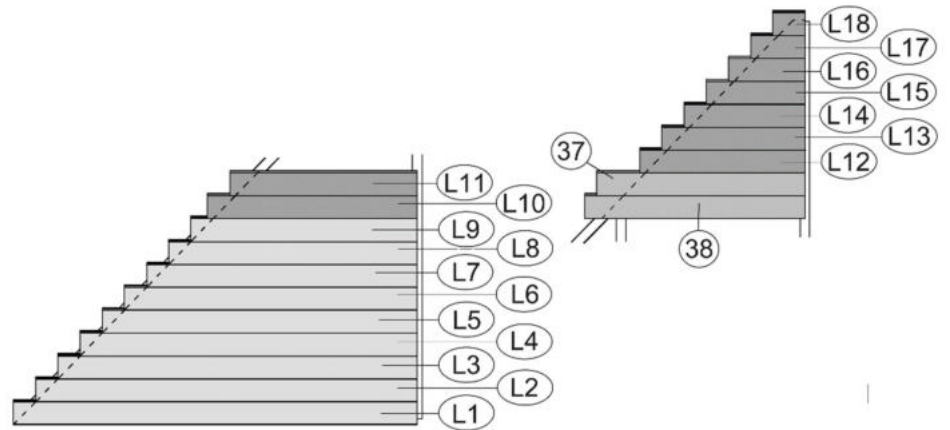
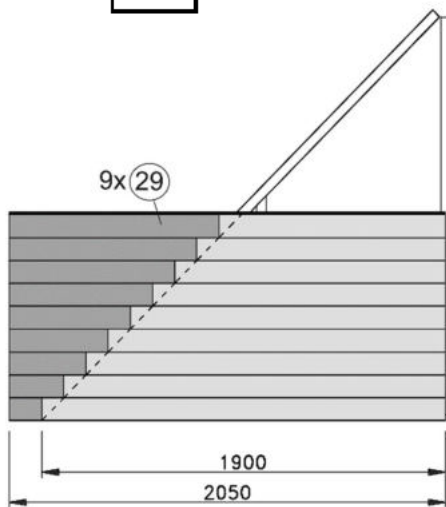
**Art.-Nr.:149.3030.10**



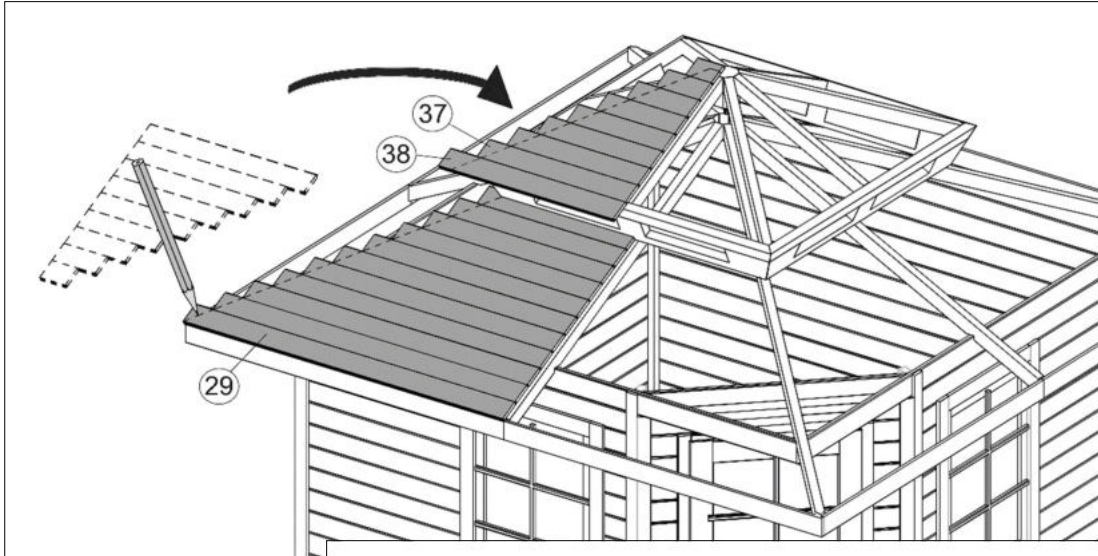
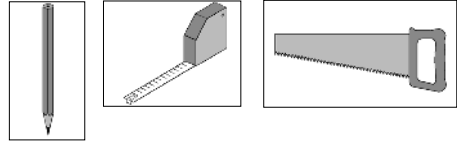


Art.-Nr.: 149.3030.10

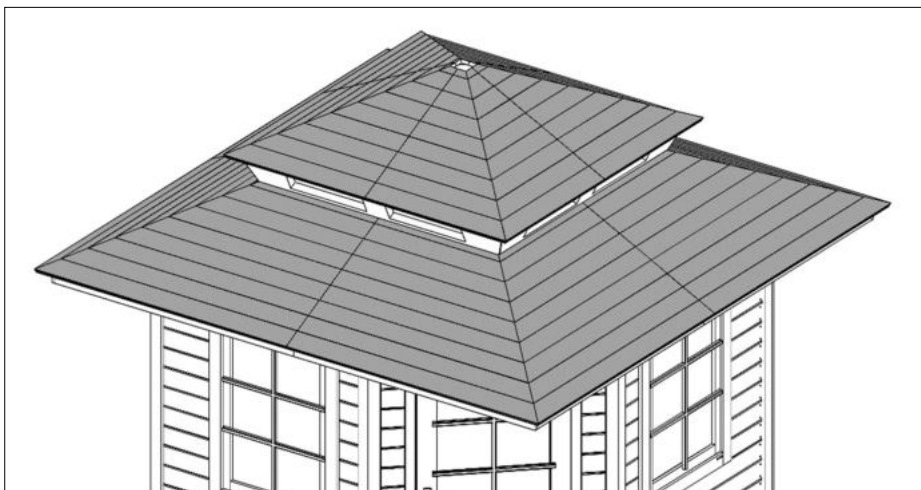
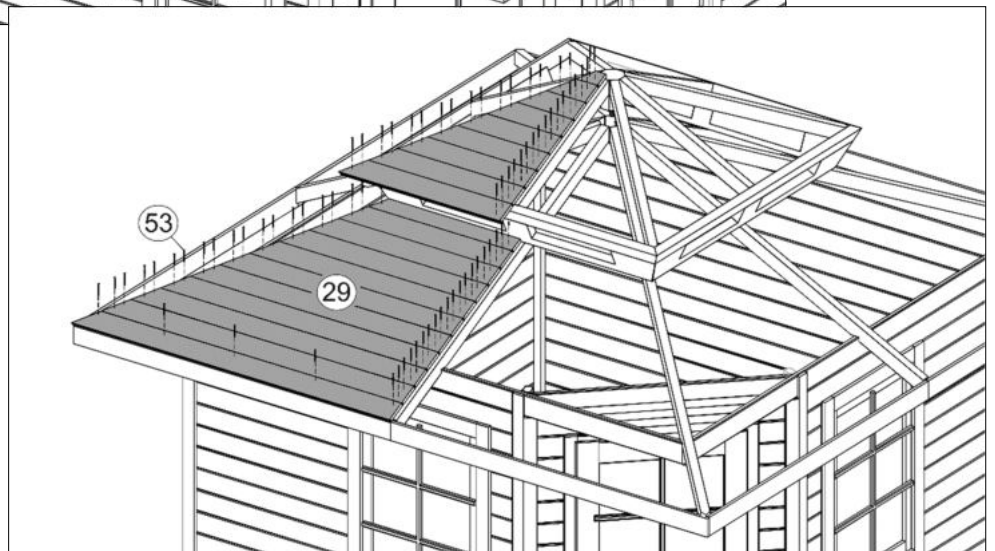
24



Art.-Nr.: 149.3030.10



Dachüberstand ca. 4cm



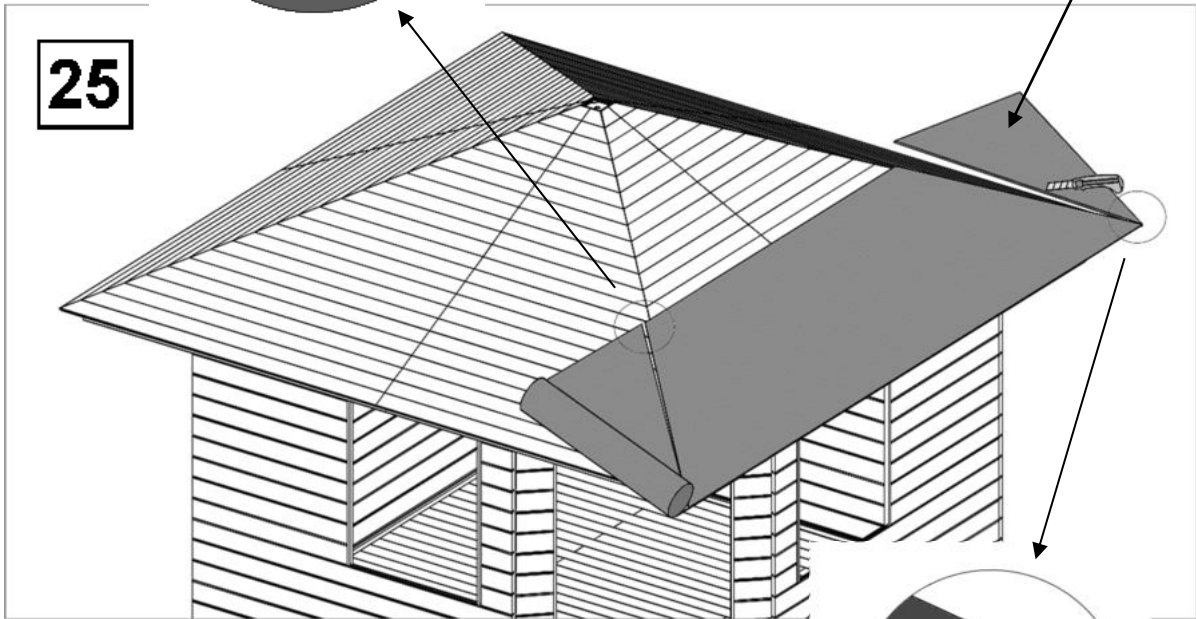
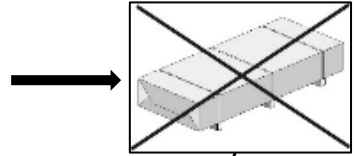
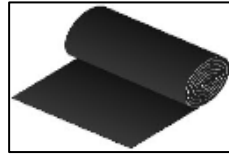
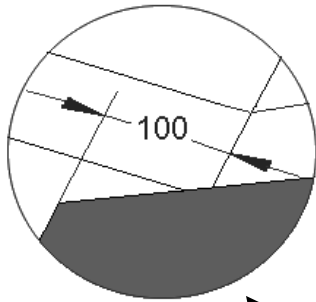
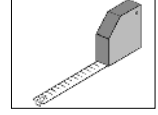
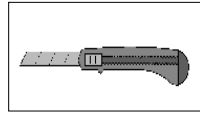


Abbildung Art.-Nr.: 149.3030.00

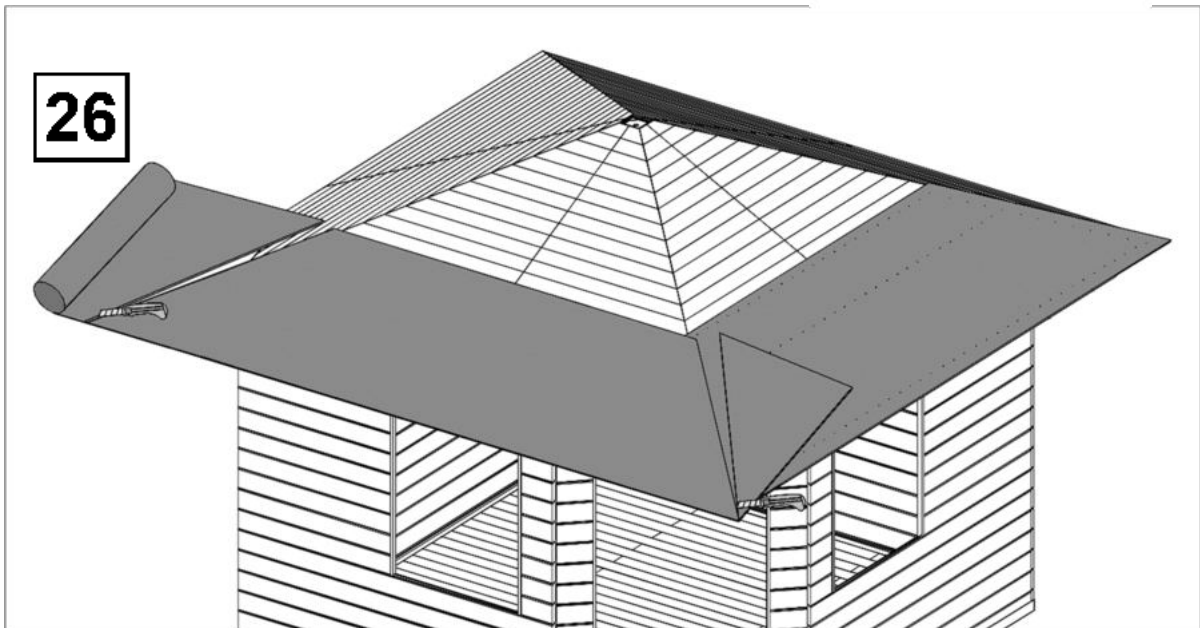
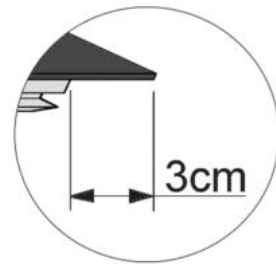


Abbildung Art.-Nr.: 149.3030.00

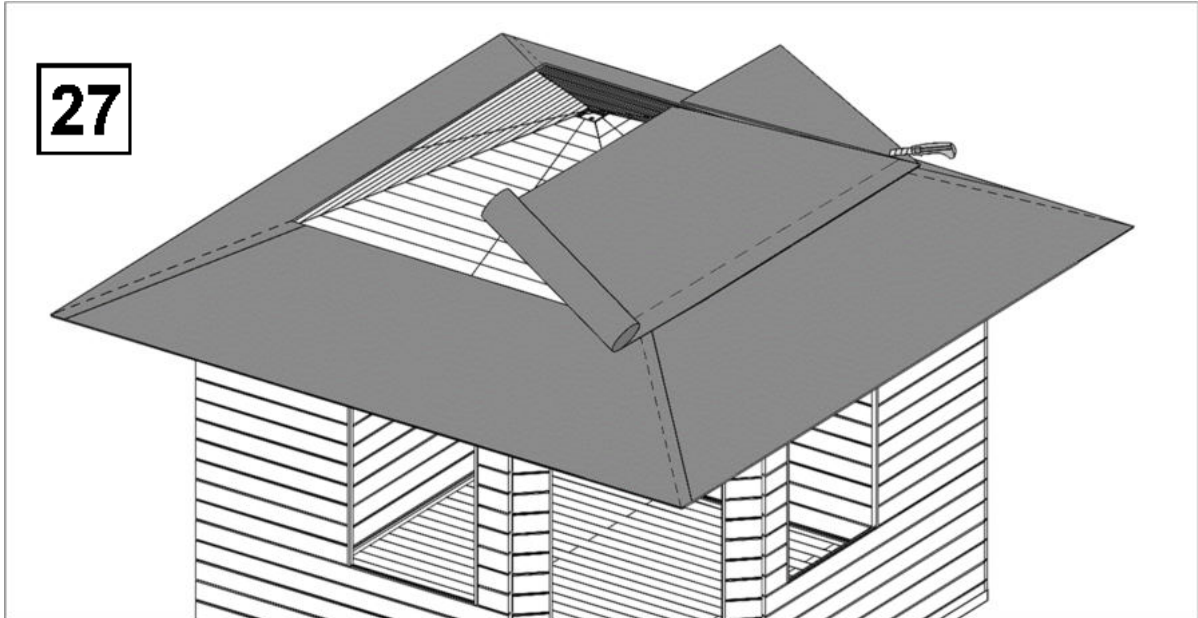
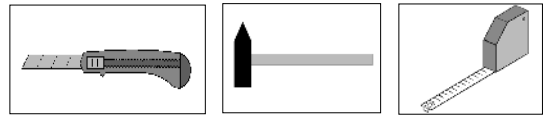


Abbildung Art.-Nr.: 149.3030.00

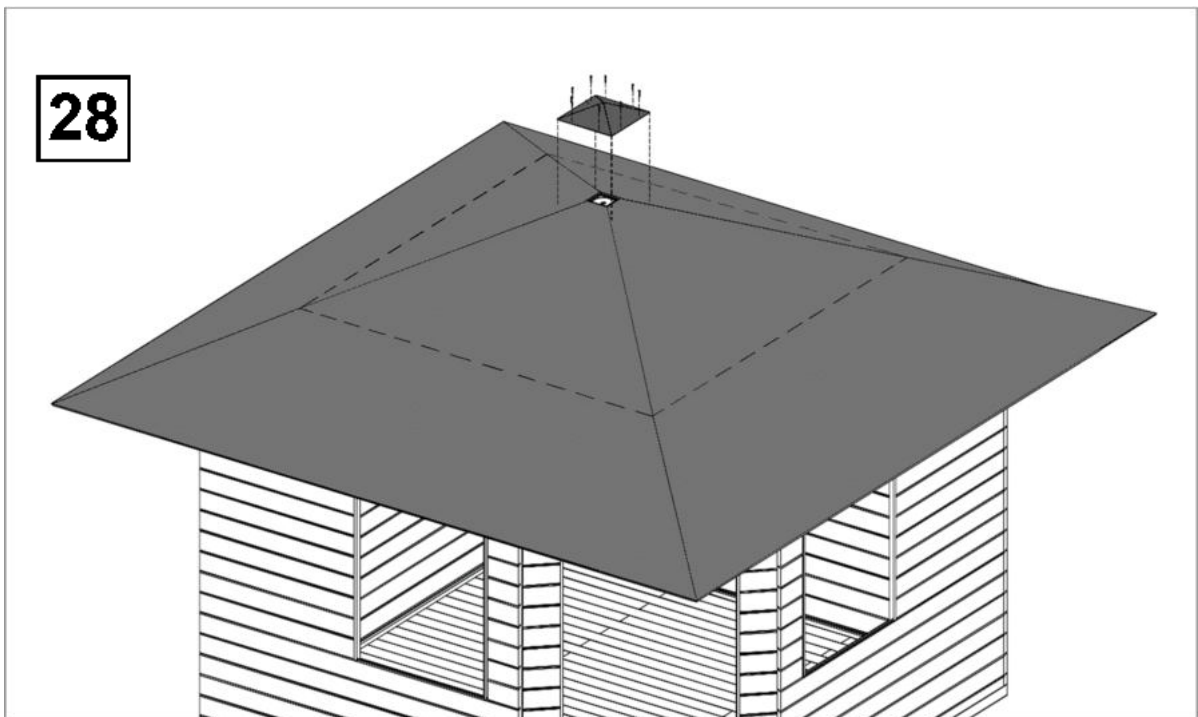


Abbildung Art.-Nr.: 149.3030.00

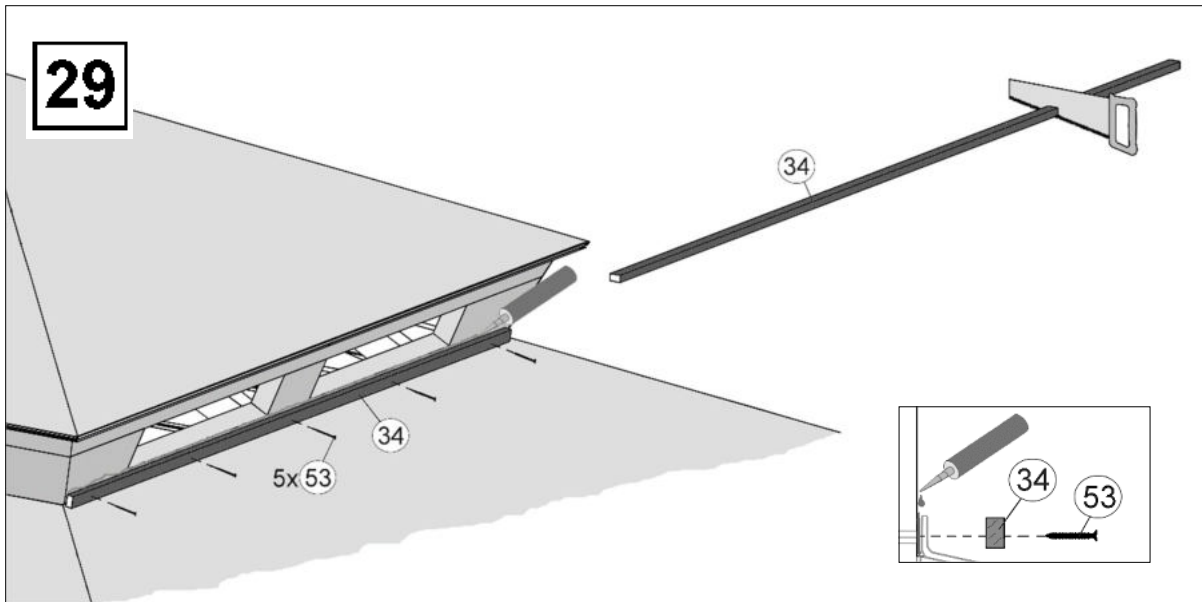
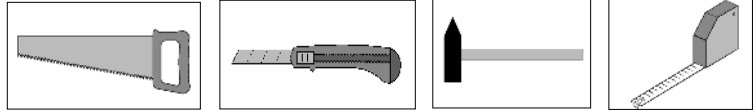


Abbildung Art.-Nr.: 149.3030.10

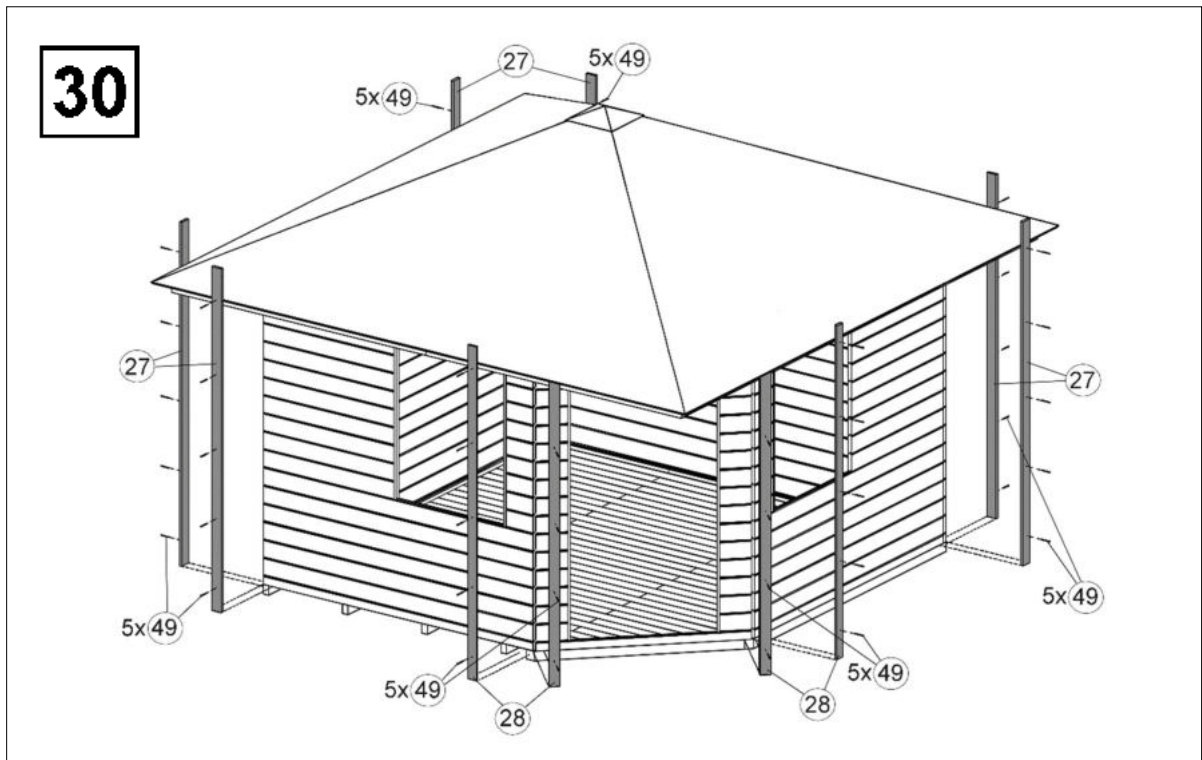
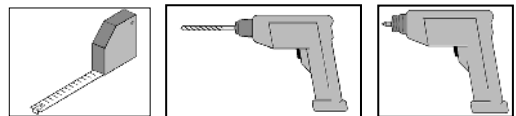
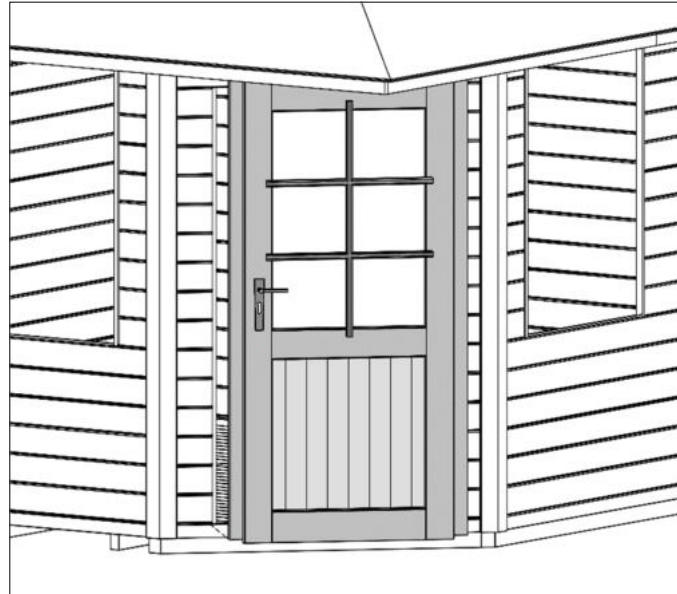


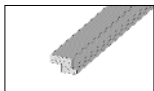
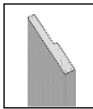
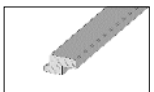
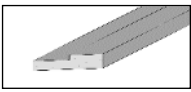
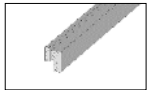
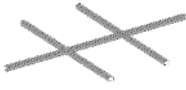

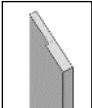
Abbildung Art.-Nr.: 149.3030.00

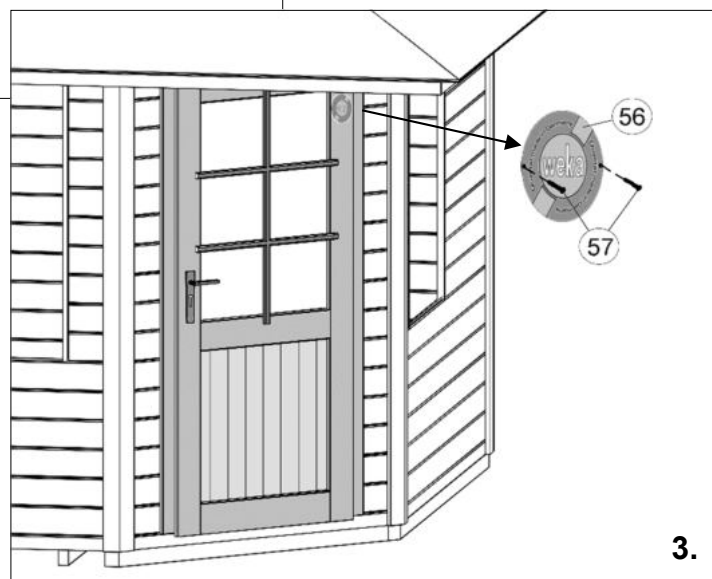
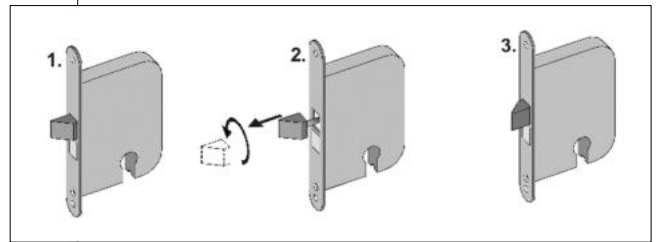
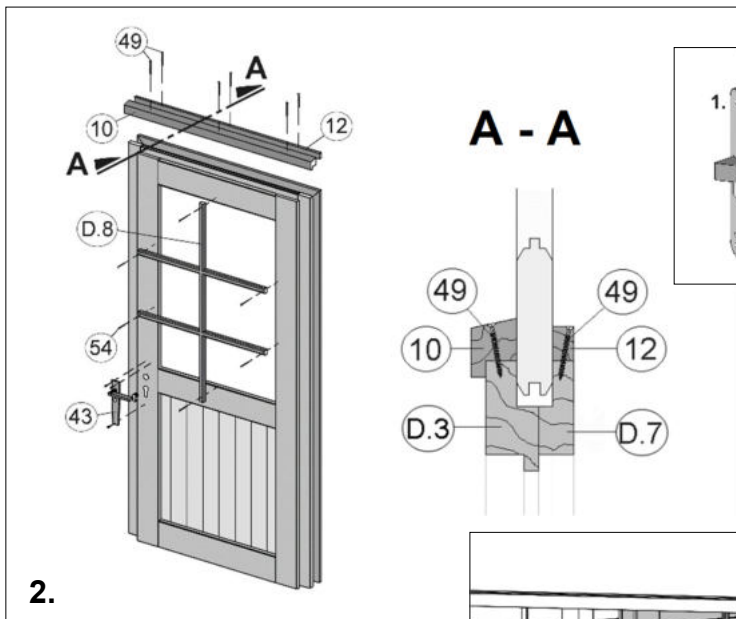
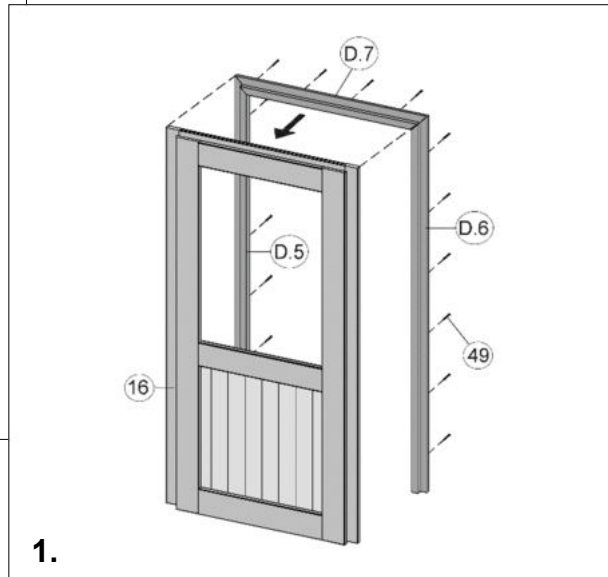
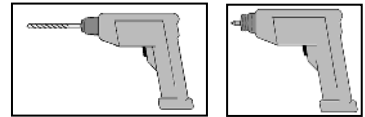
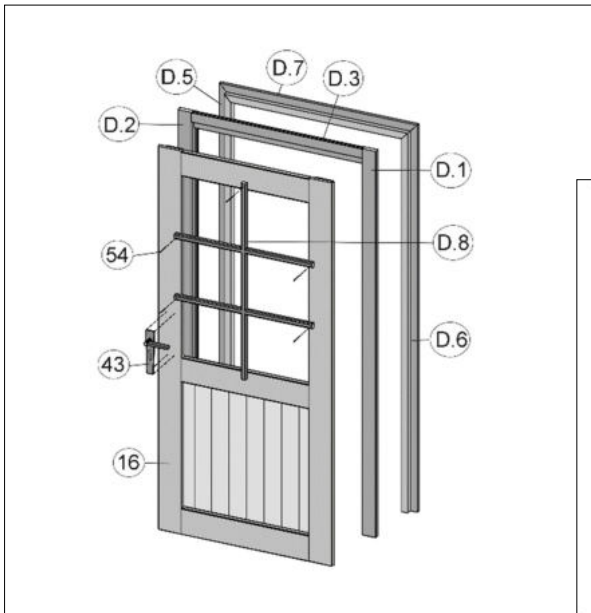
## **Blockhaustür, 1-flüglig**

**31**

|    |  |
|----|--|
| en | Blockboard cabin door, 2 panes         |
| fr | porte maison en madriers, 2 vantaux    |
| it | porta per casetta in listoni, a 2 ante |



| Pos   | Abbildung   | Abmessung | Pos   | Abbildung  | Abmessung      |
|-------|---|-----------|-------|--|----------------|
| (D.1) |  | 46 / 80   | (D.6) |  | 21 / 67        |
| (D.2) |  | 46 / 80   | (D.7) |  | 21 / 67        |
| (D.3) |  | 46 / 80   | (D.8) |  | 19 / 672 / 918 |
| (D.4) |  |           |       |  |                |
| (D.5) |  | 21 / 67   |       |  |                |

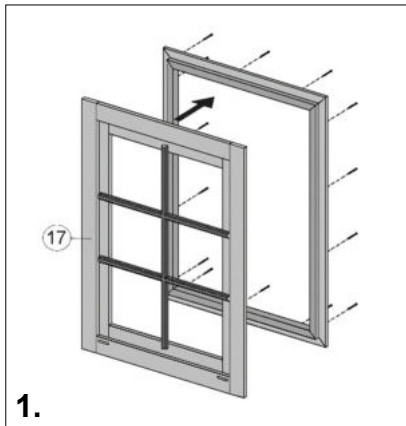
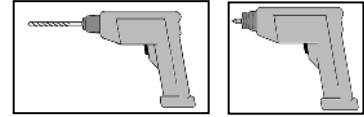
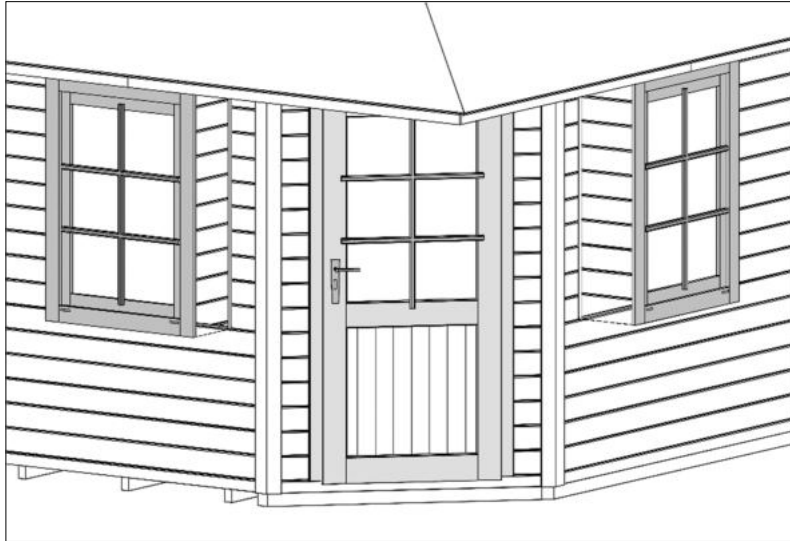




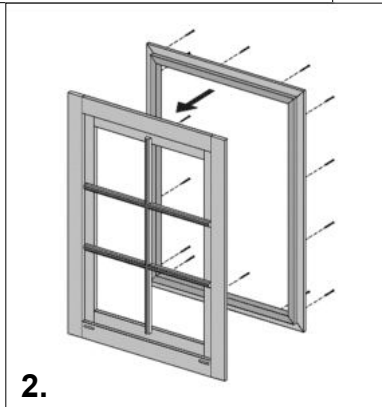
# Blockhausfenster

|    |                                 |
|----|---------------------------------|
| GB | Blockboard cabin window         |
| F  | fenêtre maison en madriers      |
| I  | finestra per casetta in listoni |

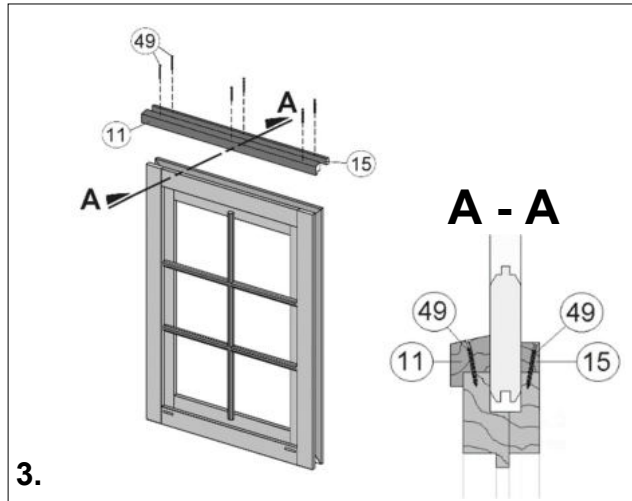
**32**



1.



2.



3.







weka Holzbau GmbH,  
Johannesstr. 16  
D-17034 Neubrandenburg  
Tel.: 0395 42908-0  
Fax: 0395 42908-83  
eMail: [Info@weka-Holzbau.com](mailto:Info@weka-Holzbau.com)

**MA Art.-Nr.: 800.0286.00.98**