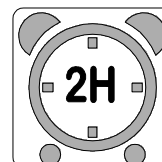
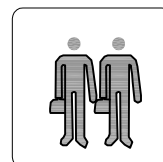
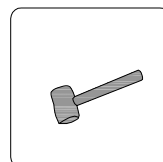
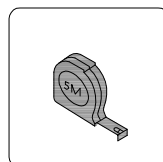
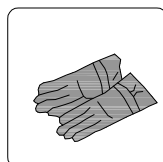
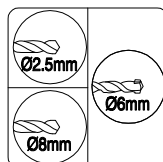
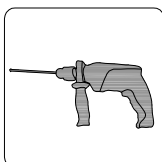
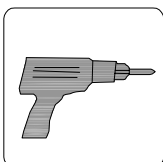
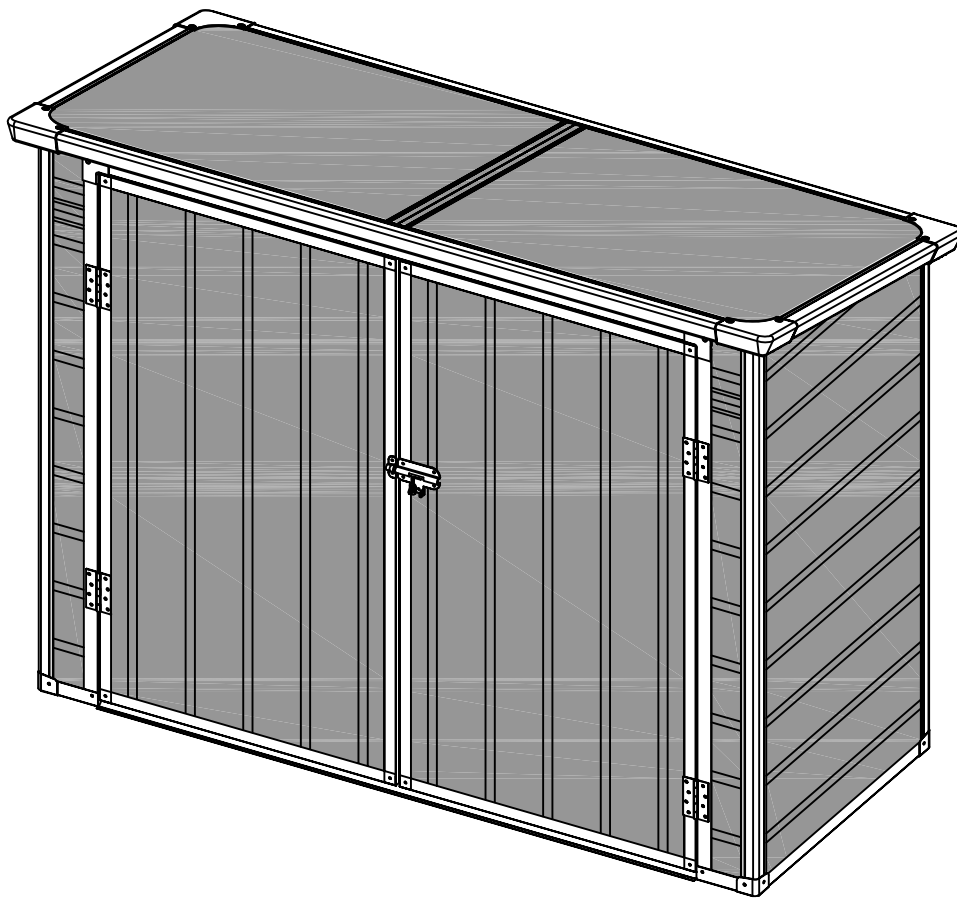
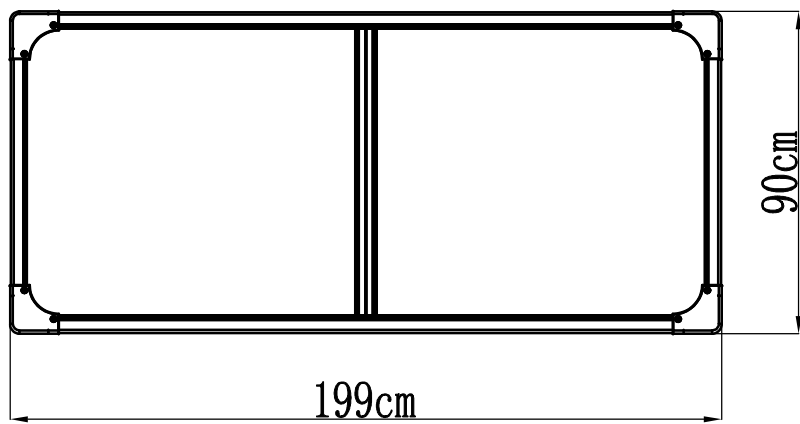
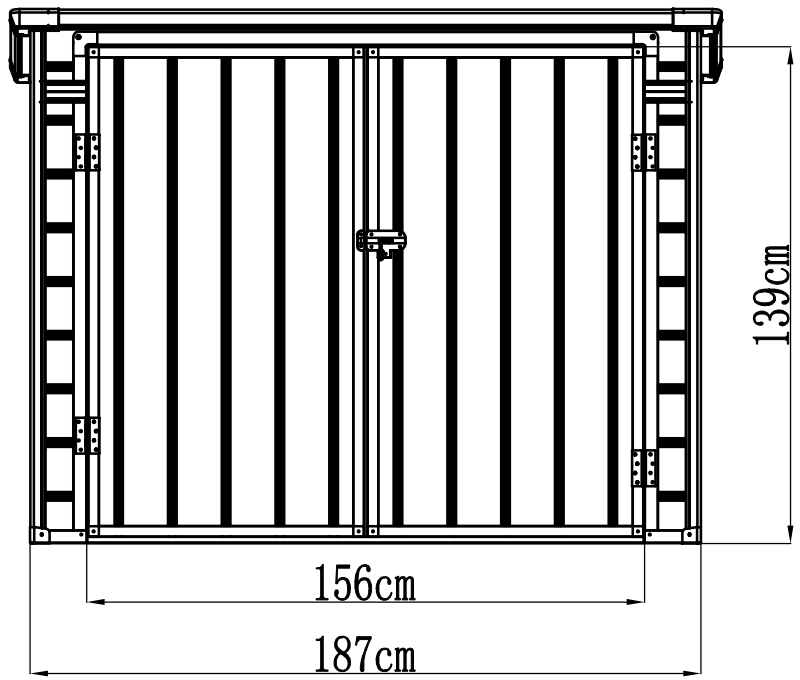
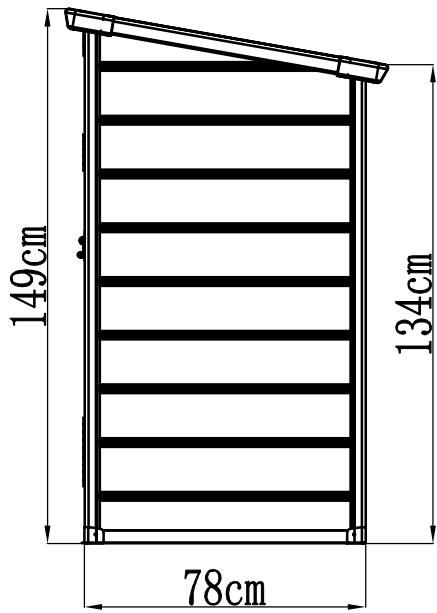


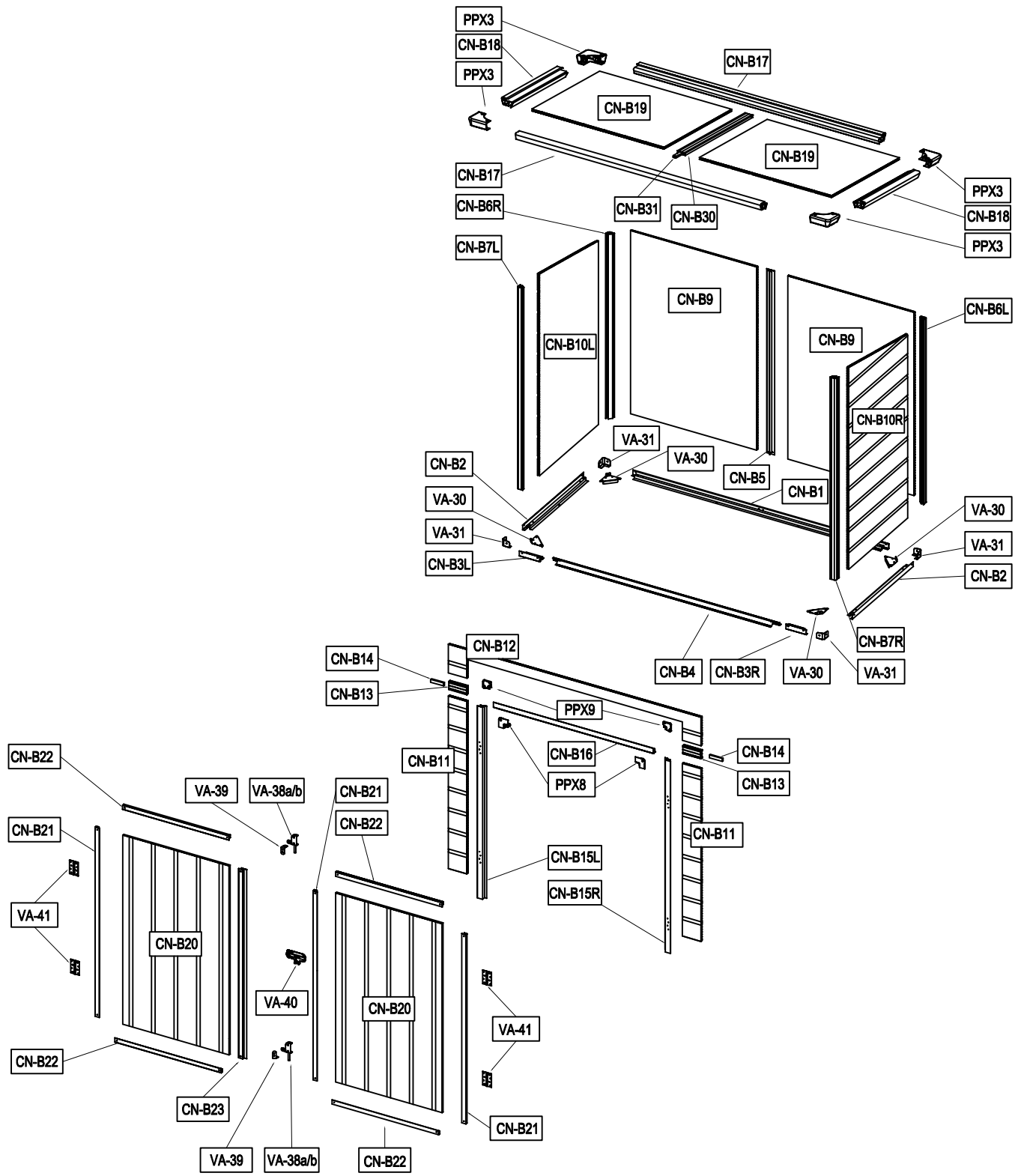
# COLIN-A



# Size of Colin-A:

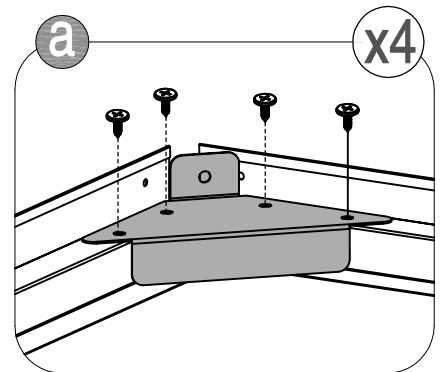
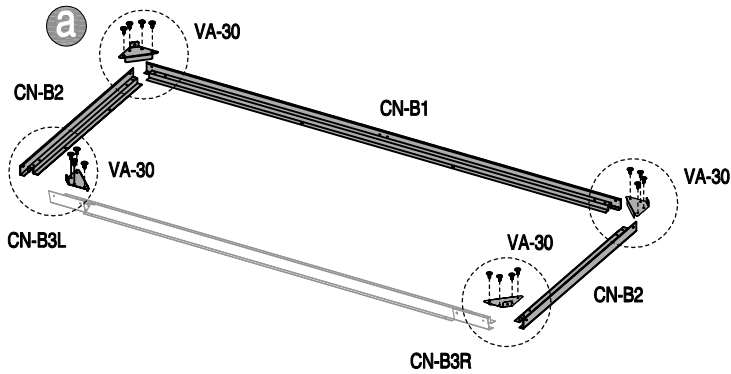
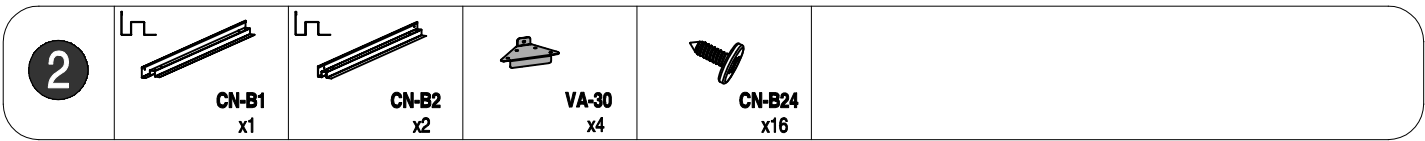
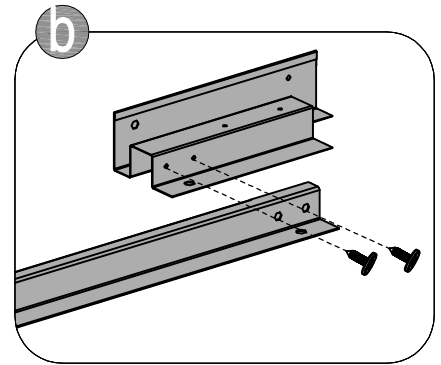
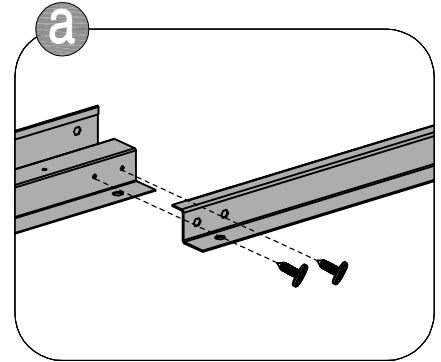
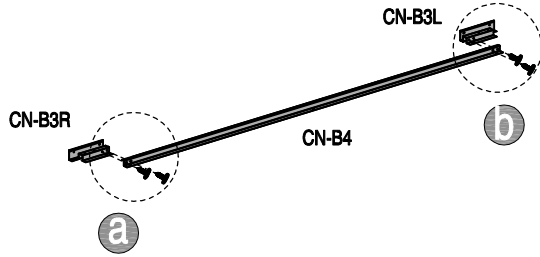
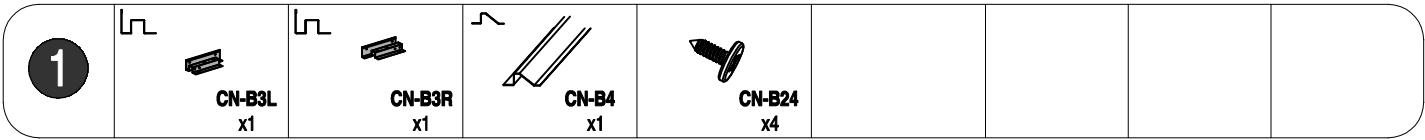


# Coin-A

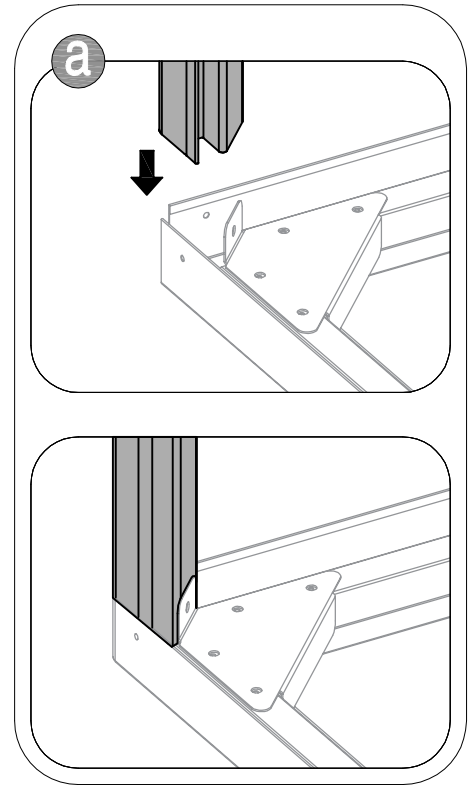
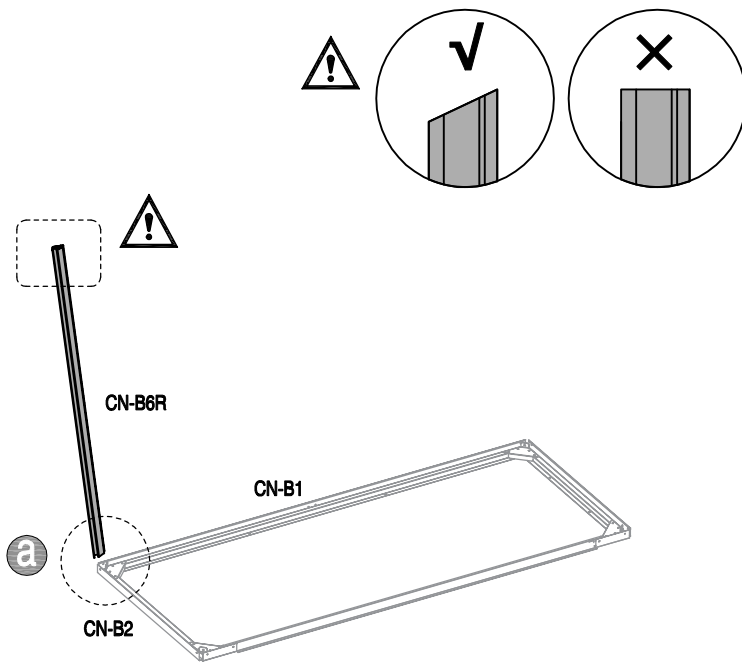




NO.	IMAGE	mm	QTY
	CN-B1	1850.5	x1
	CN-B2	763	x2
	CN-B3L	146.5	x1
	CN-B3R	146.5	x1
	CN-B4	1637	x1
	VA-30		x4
	VA-31		x4
	CN-B5	1330	x1
	CN-B6L	1337	x1
	CN-B6R	1337	x1
	CN-B7L	1460	x1
	CN-B7R	1460	x1
	CN-B9	913x1326	x2
	CN-B10L	740x1460	x1
	CN-B10R	740x1460	x1
	CN-B11	135x1248	x2
	CN-B12	1828x190	x1
	CN-B13	130	x2
	CN-B14	130	x2
	CN-B15L	1389	x1
	CN-B15R	1389	x1
	CN-B16	1552	x1
	PPX8		x2
	PPX9		x2
	CN-B17	1773.5	x2
	CN-B18	700	x2
	CN-B19	860x955	x2
	CN-B30	860	x1
	CN-B31	860	x1
	PPX3		x4

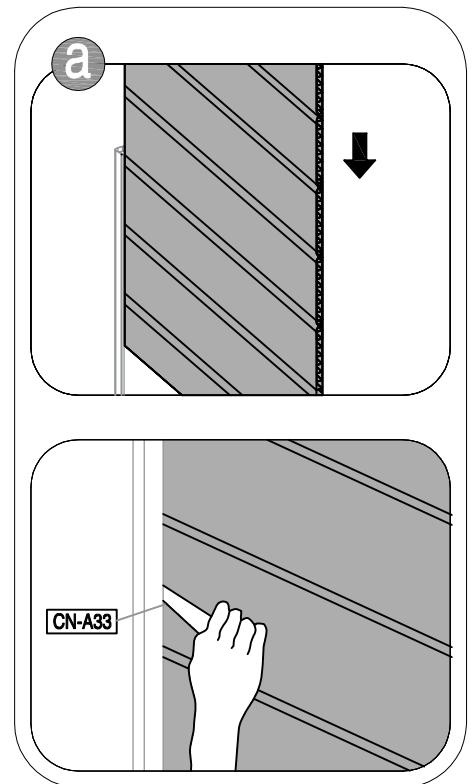
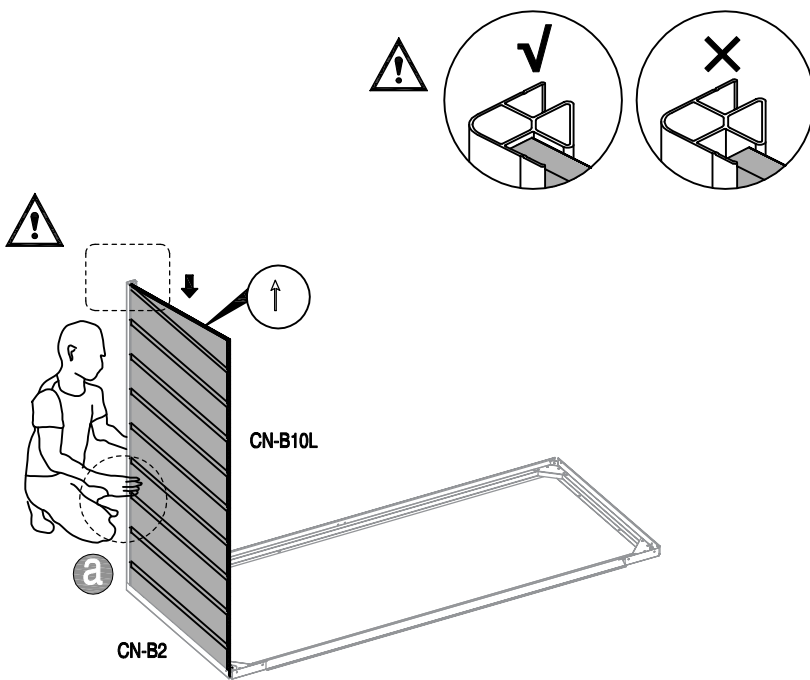
NO.	IMAGE	mm	QTY
	CN-B20	1368x770	x2
	CN-B21	1368	x3
	CN-B22	771	x4
	CN-B23	1368	x1
	VA-41		x4
	VA-38a		x2
	VA-38b		x2
	VA-39		x2
	VA-40		x1
	VA-53		x1
	PA01		x3
	CN-B24	ST4.2x13	x119
	CN-B25	ST4.2x19	x75
	CN-B26	ST4.2x13	x6
	CN-B27	ST4.2x19	x4
	CN-B28	ST6.0x40	x10
	CN-B29	ST4.2x10	x8
	CN-A33		x2

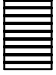




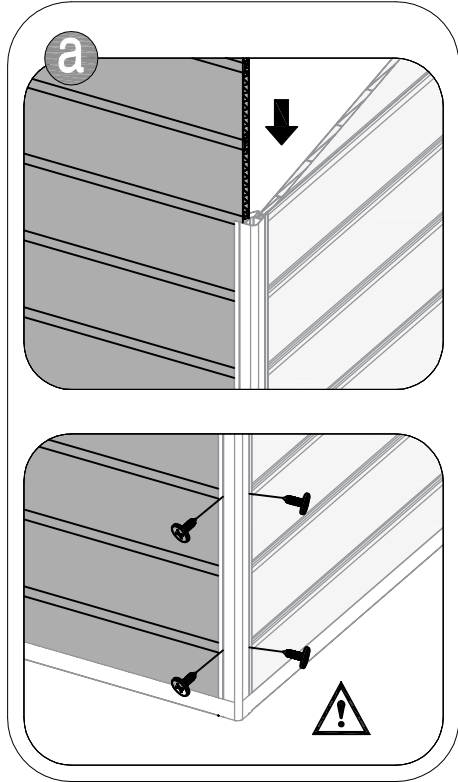
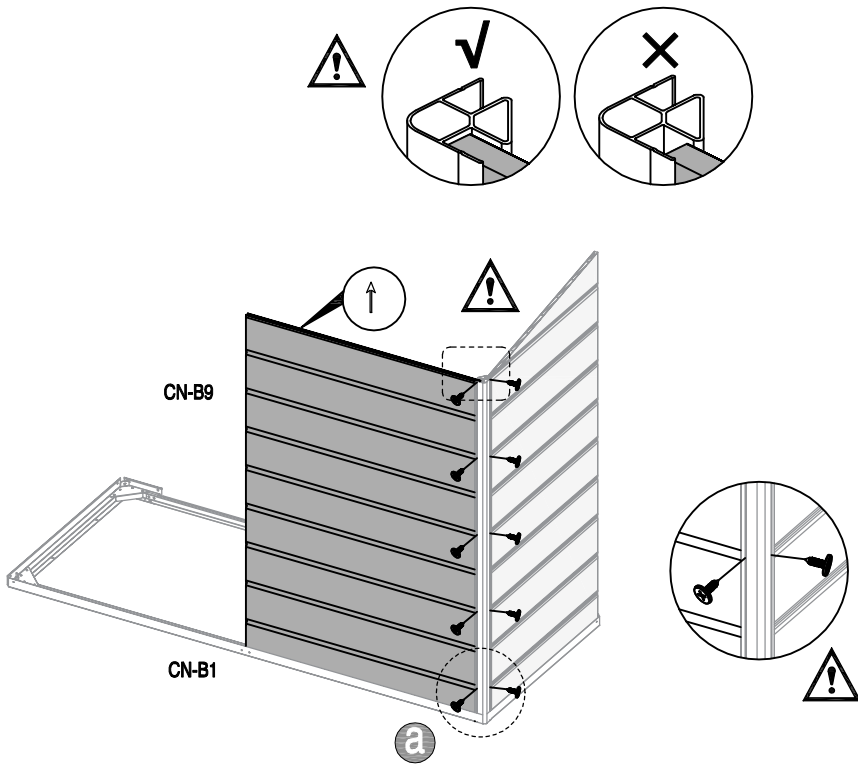
<b>3</b>	 <b>CN-B6R</b> x1	
----------	--	--




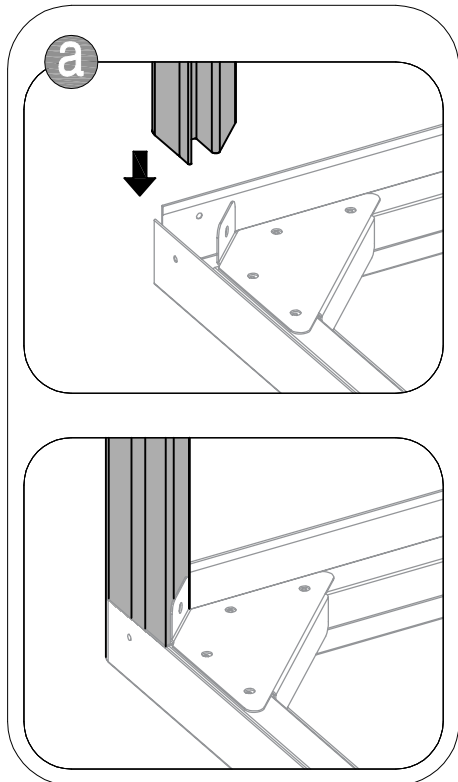
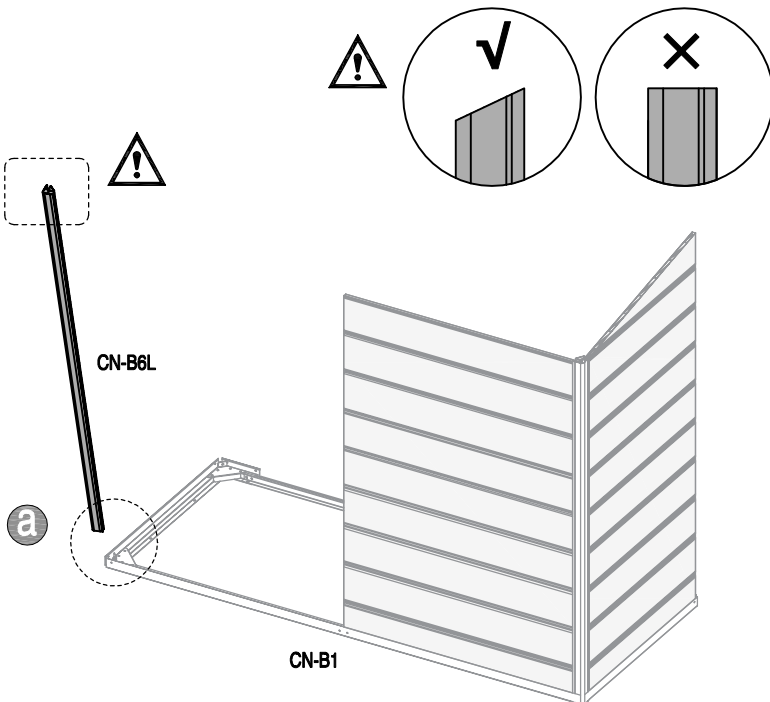
<b>4</b>	 <b>CN-B10L</b> x1	 <b>CN-A33</b>	
----------	---	--	--



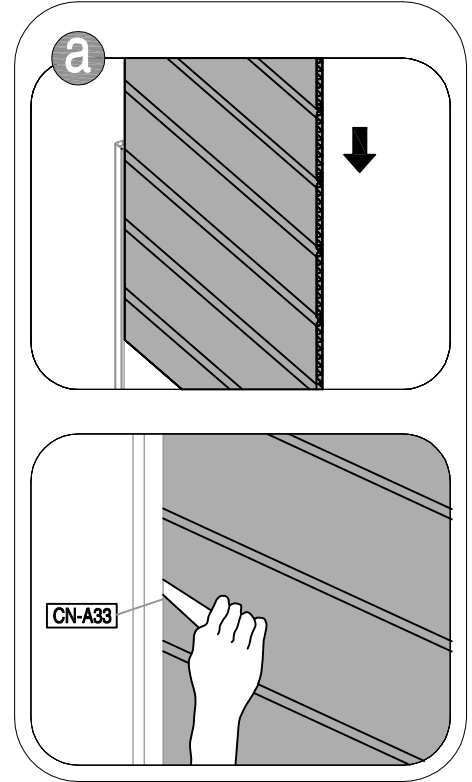
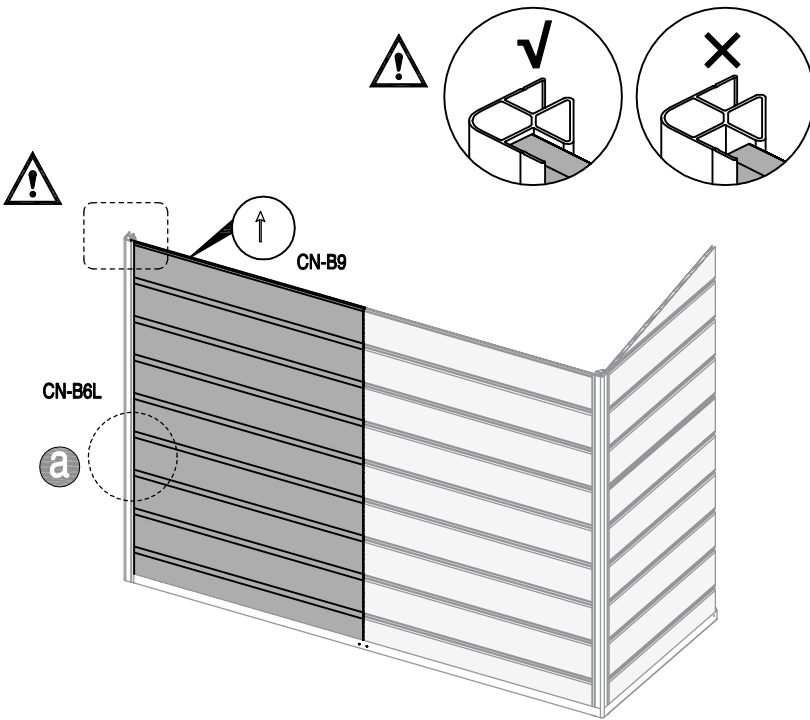
<b>5</b>	 <b>CN-B9</b> x1	 <b>CN-B25</b> x10	 <b>CN-A33</b>
----------	---	---	--





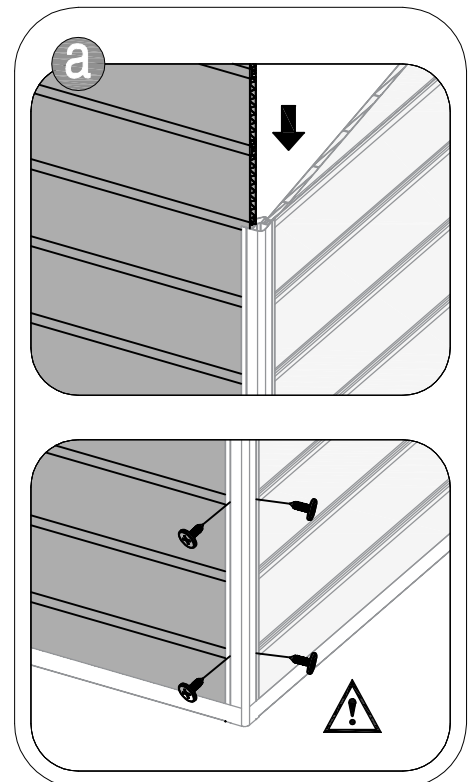
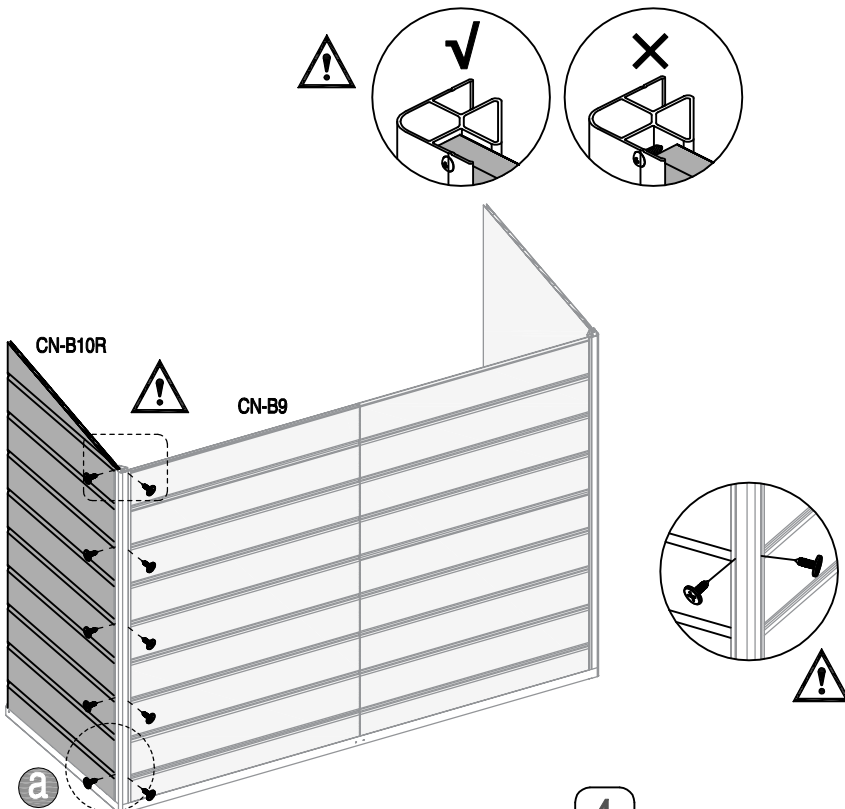
<b>6</b>	 <b>CN-B6L</b> x1
----------	--



<b>7</b>	 <b>CN-B9</b> x1	 <b>CN-A33</b>
----------	---	--

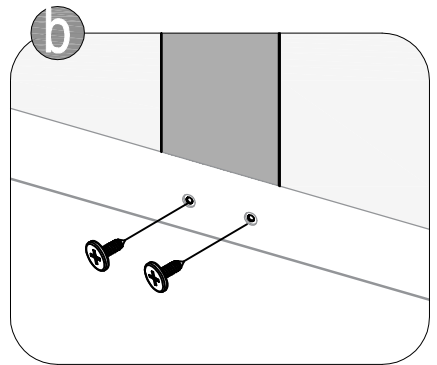
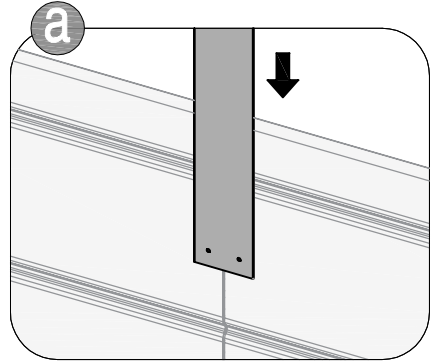
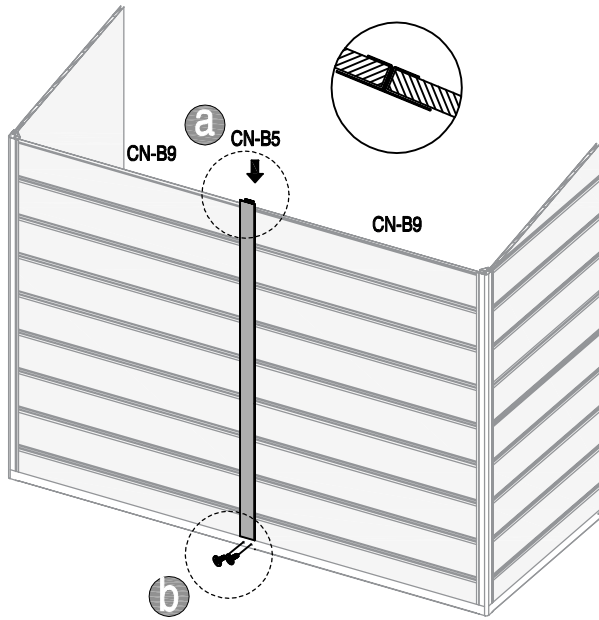




<b>8</b>	 <b>CN-B10R</b> x1	 <b>CN-B25</b> x10
----------	---	---

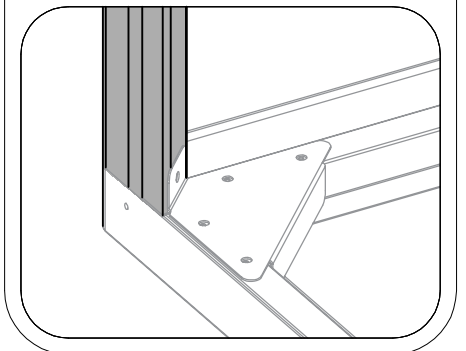
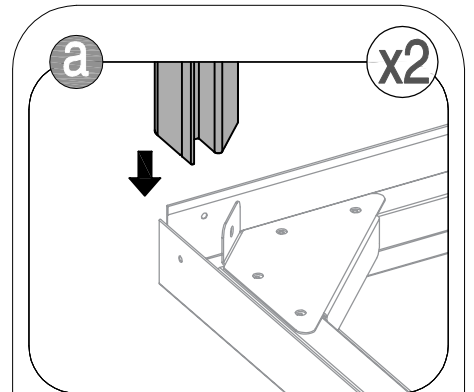
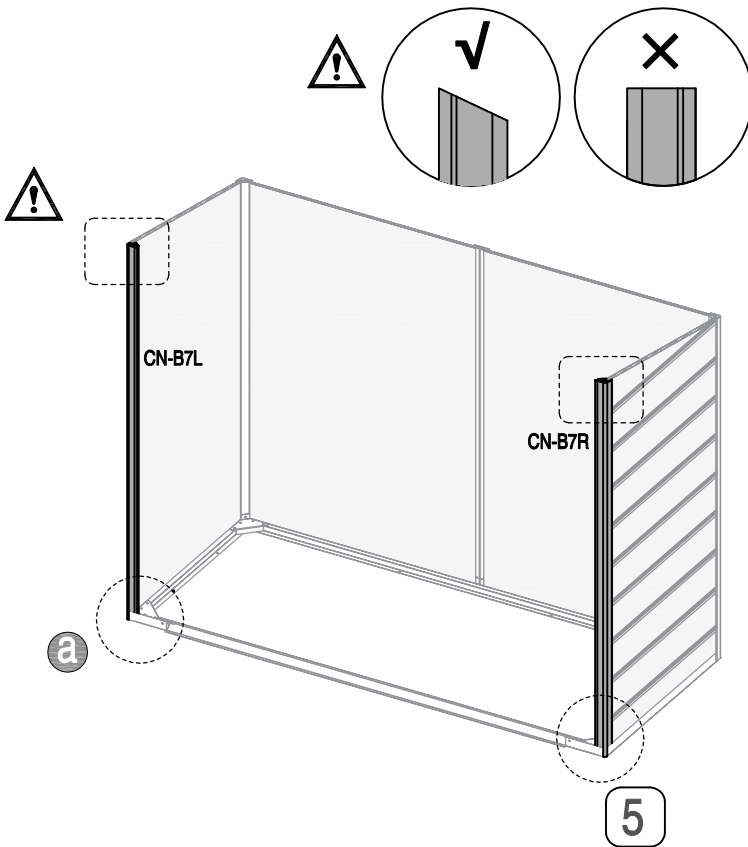




<b>9</b>	 CN-B5 x1	 CN-B24 x2
----------	--	---



<b>10</b>	 CN-B7L x1	 CN-B7R x1
-----------	---	---



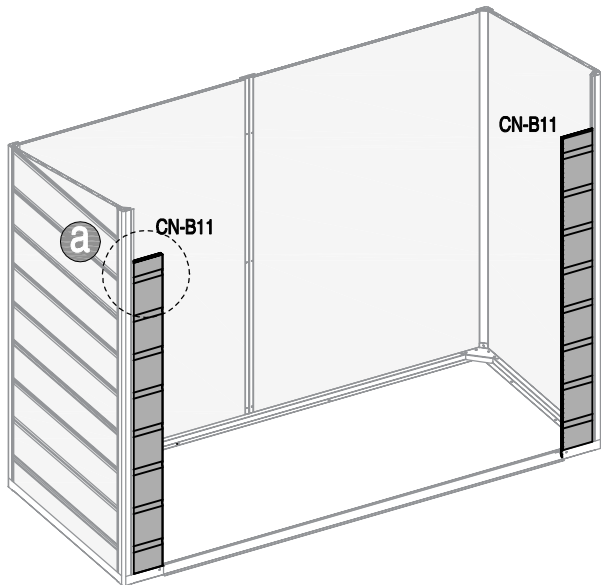
11



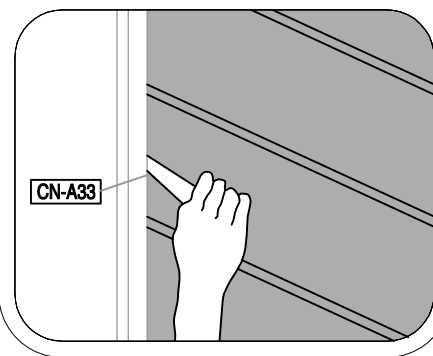
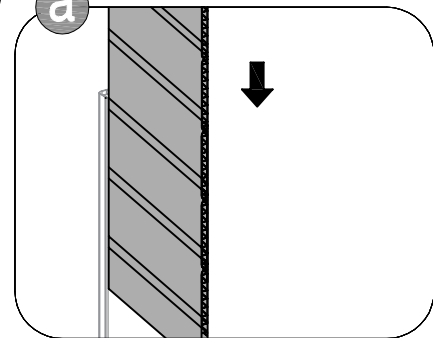
CN-B11  
x2



CN-A33



a



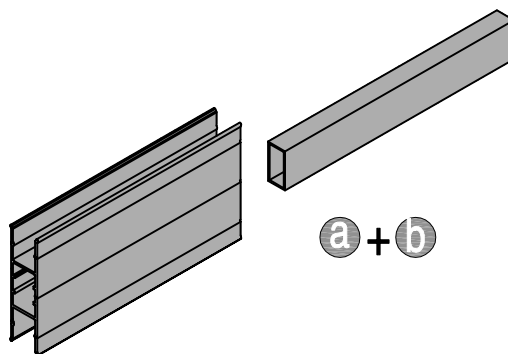
12



CN-B13  
x2

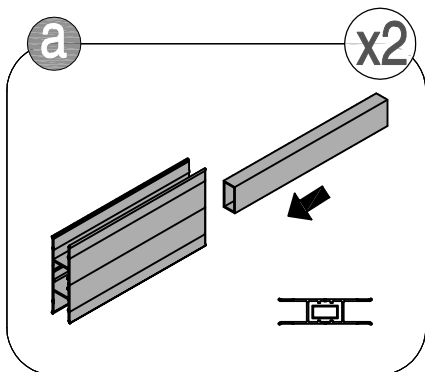


CN-B14  
x2



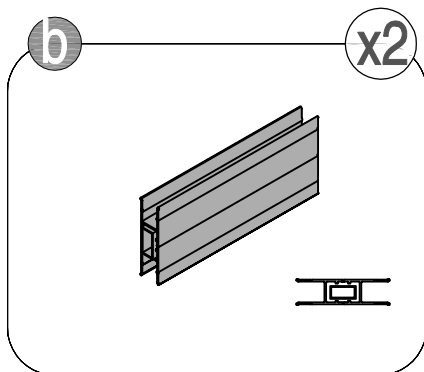
a

x2



b

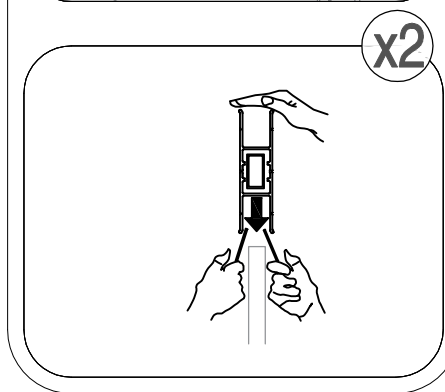
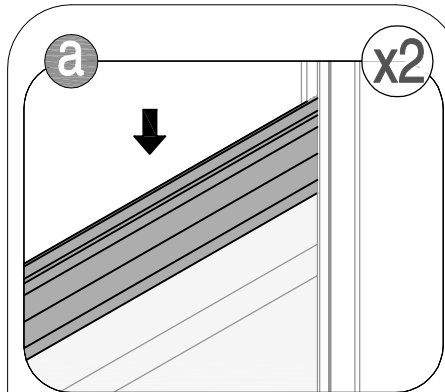
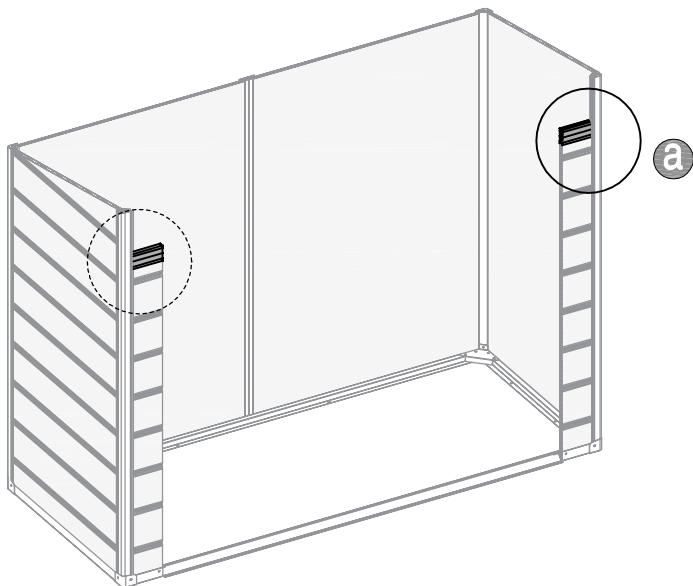
x2



13



CN-A33



14



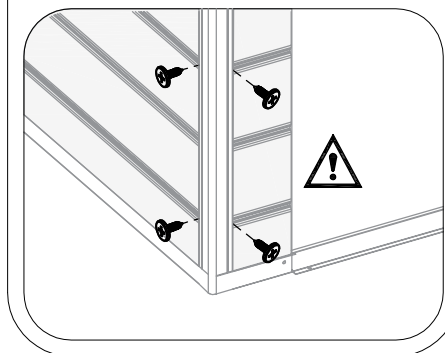
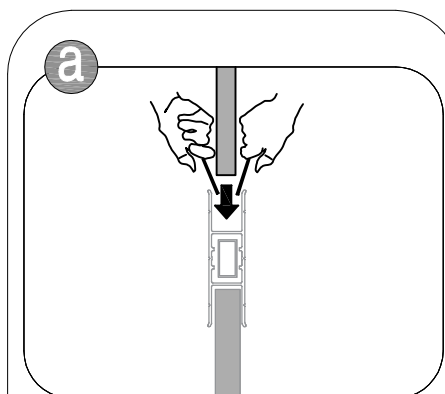
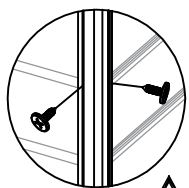
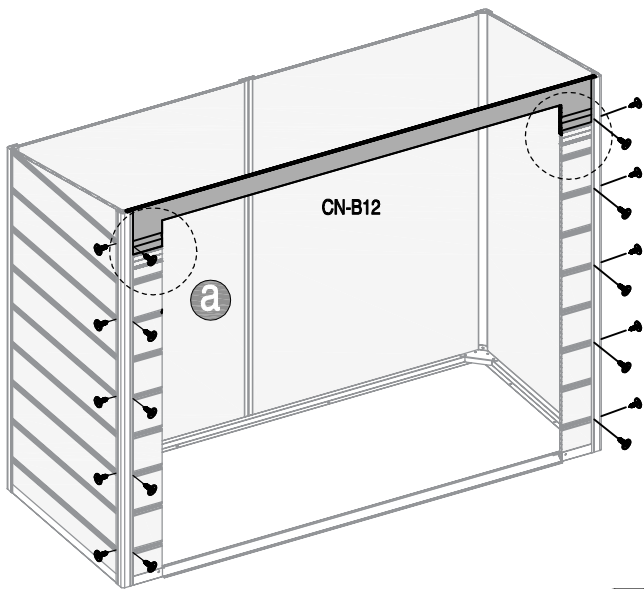
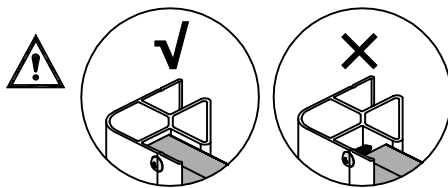
CN-B12  
x1



CN-B25  
x20



CN-A33



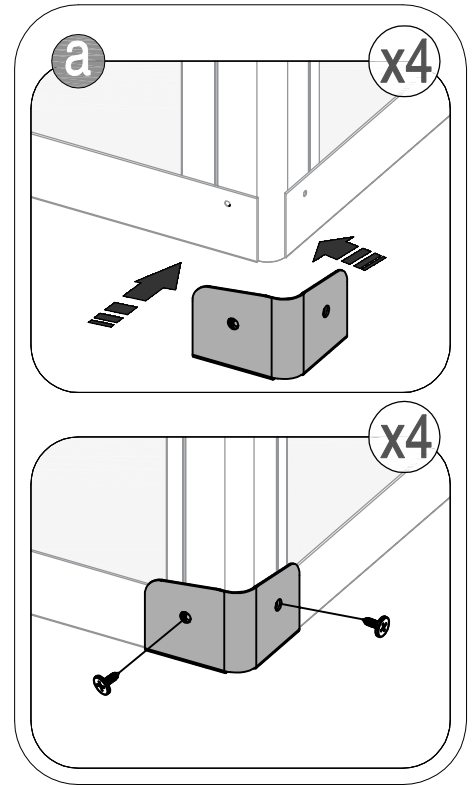
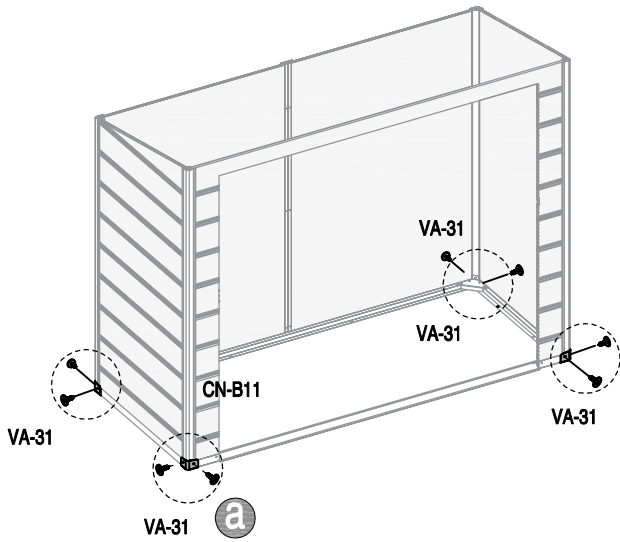
15



VA-31  
x4



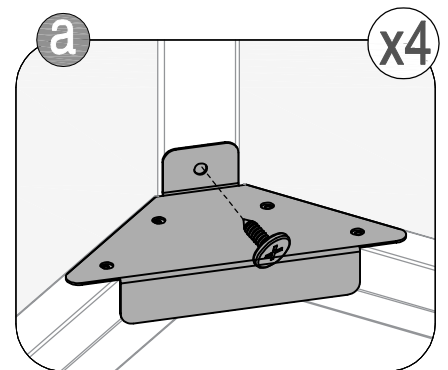
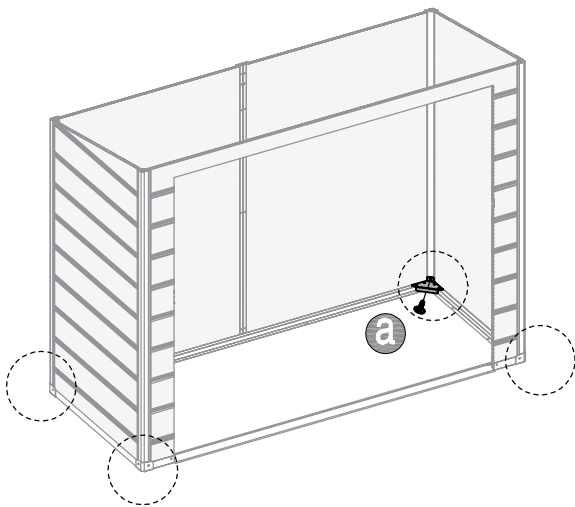
CN-B24  
x8



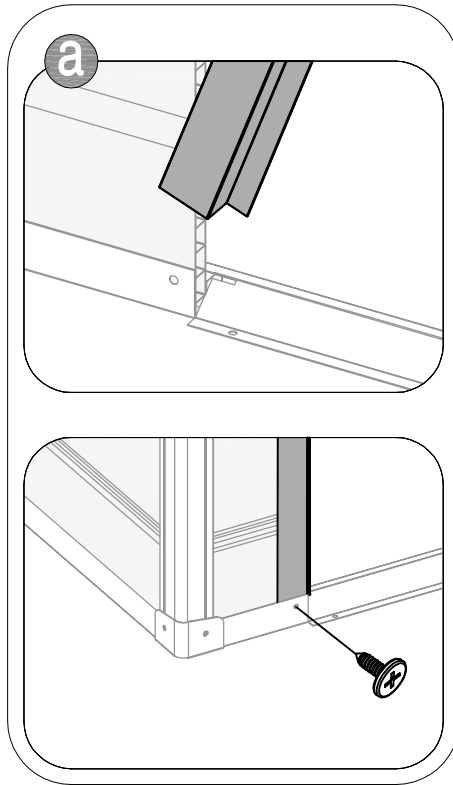
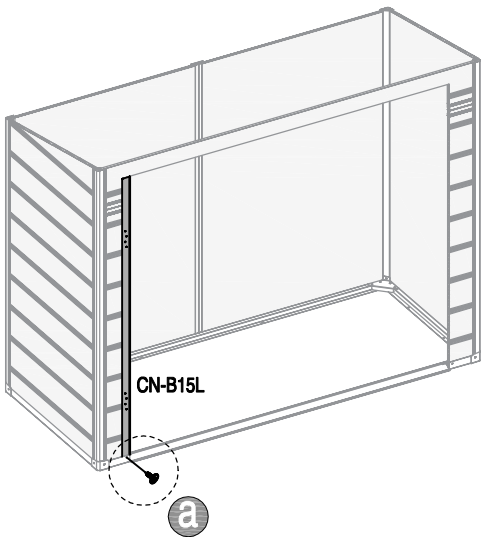
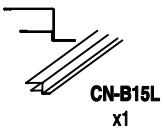
16



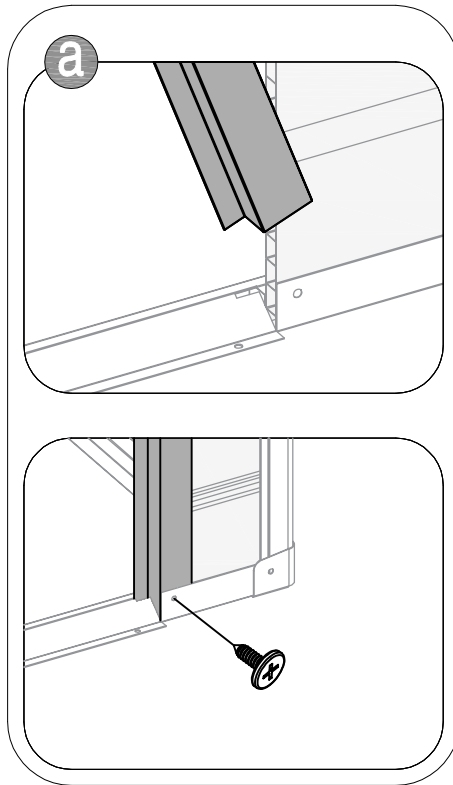
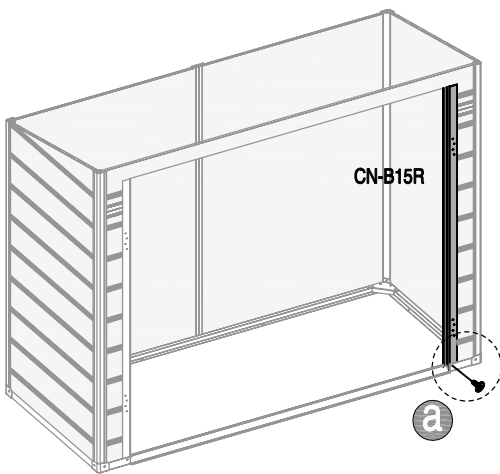
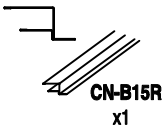
CN-B24  
x4



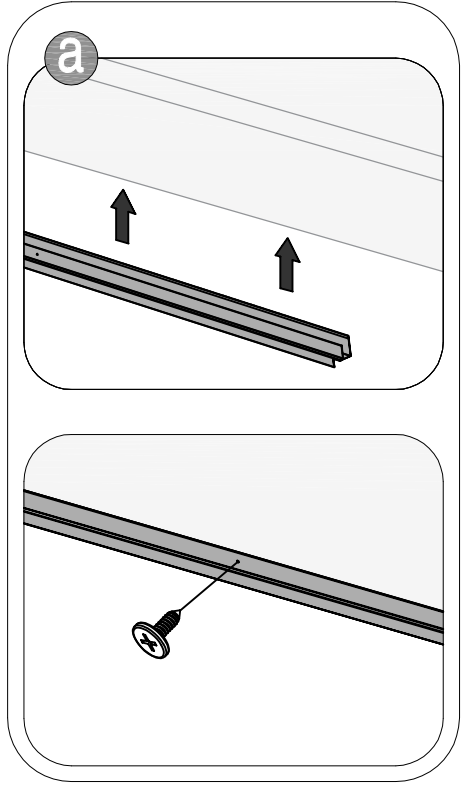
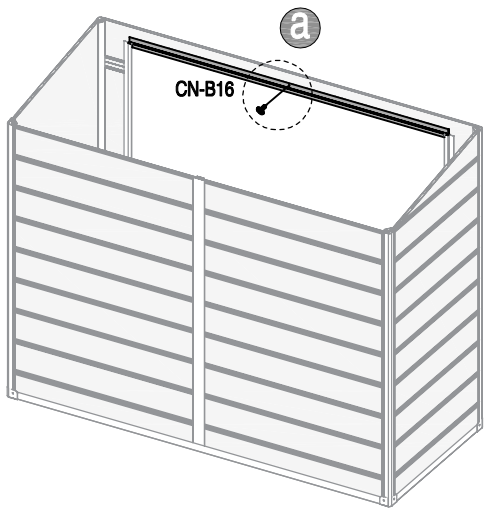
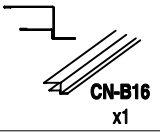
17



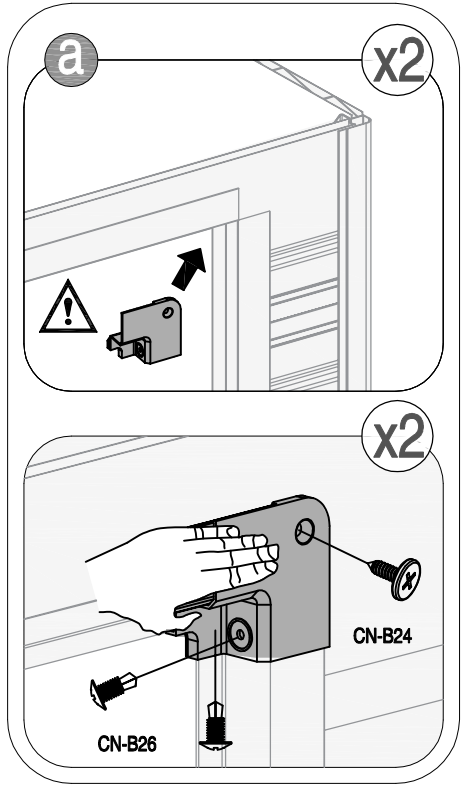
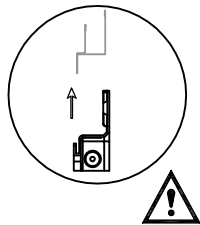
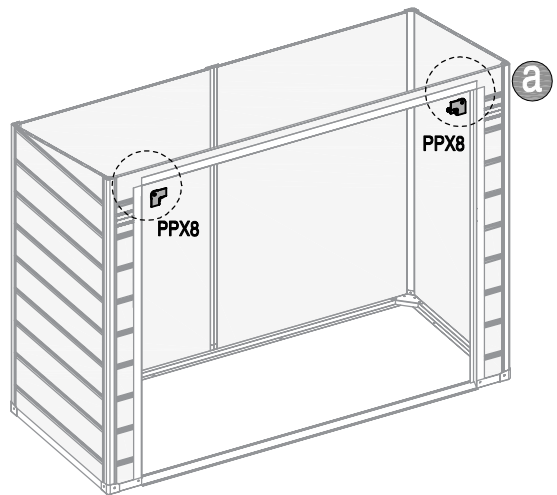
18



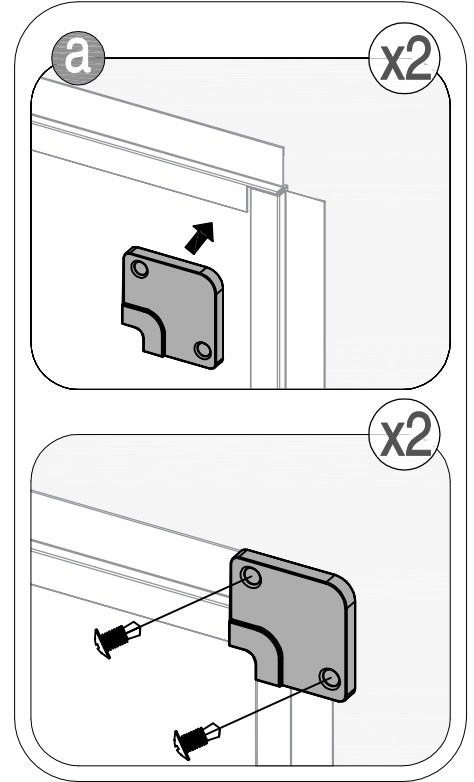
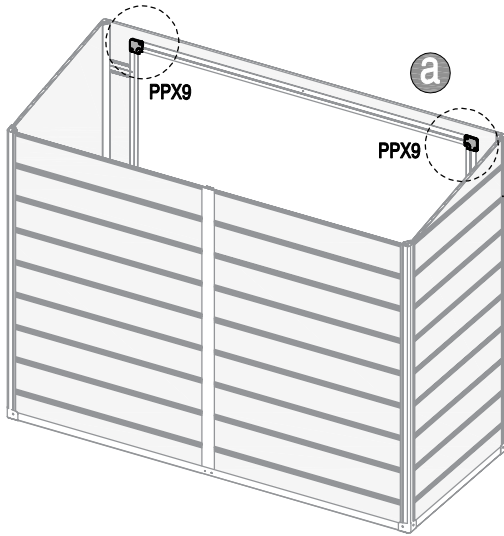
19



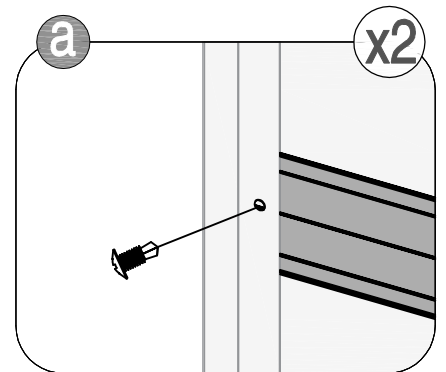
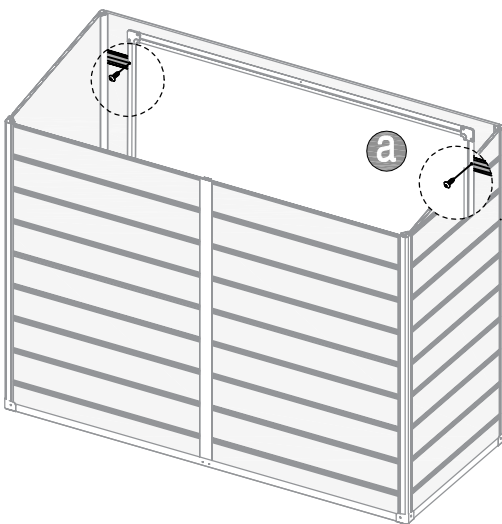
20


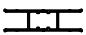






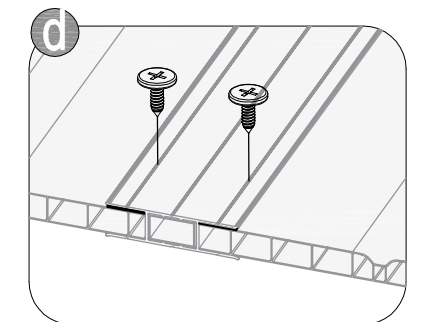
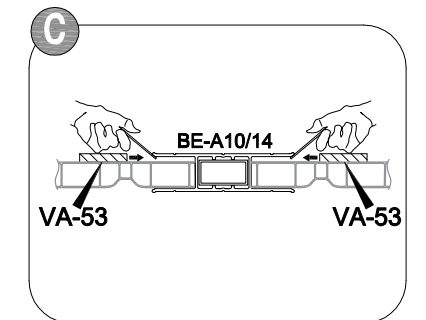
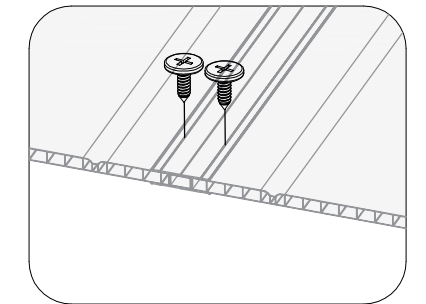
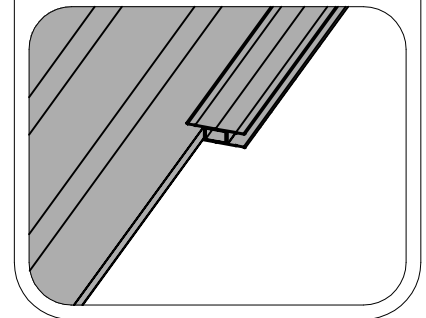
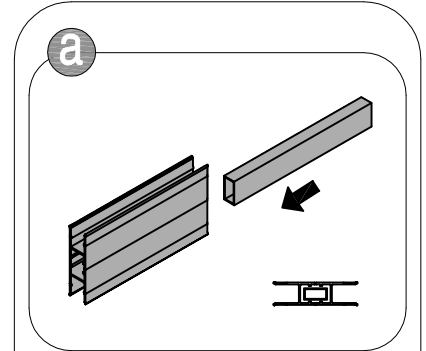
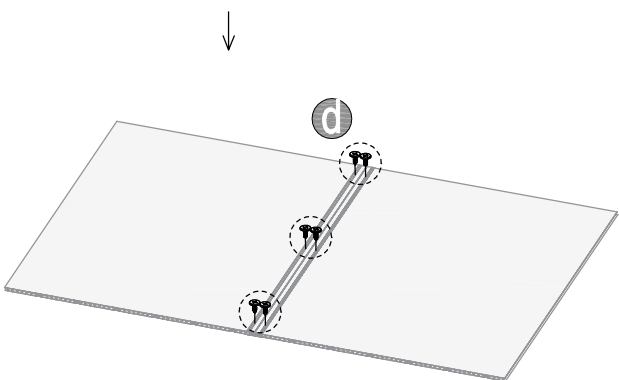
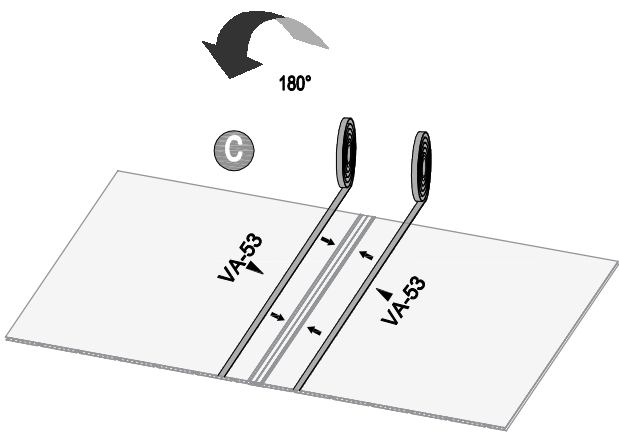
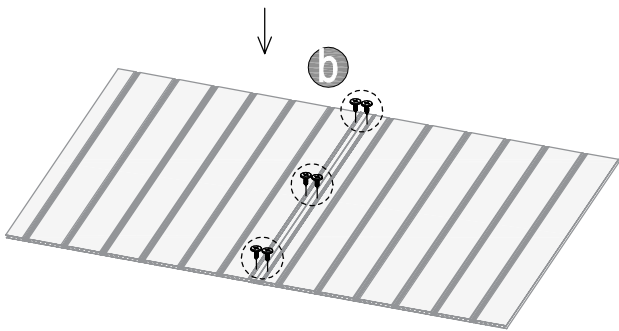
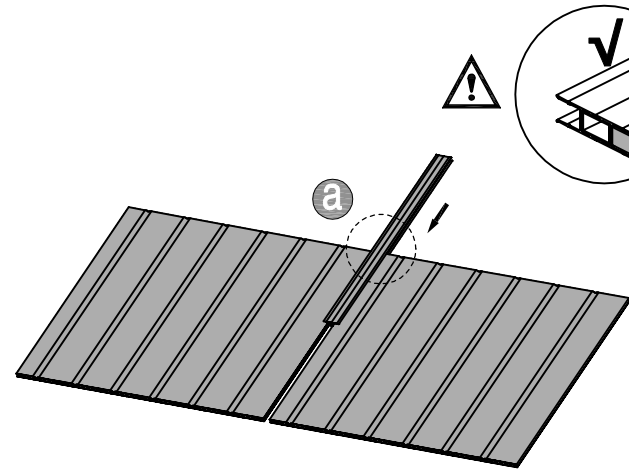
21



22



23	 CN-B19 x2	 CN-B30 x1	 CN-B31 x1	 VA-53 x1	 CN-B24 x12	 CN-A33	
----	---	---	---	--	---	---	--





24



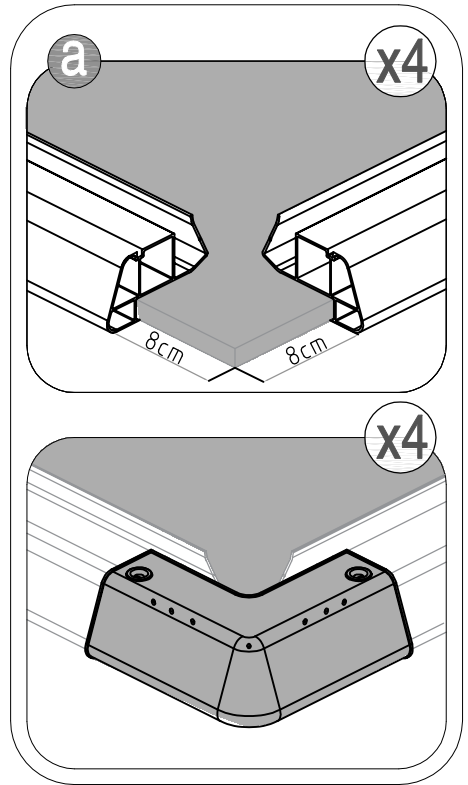
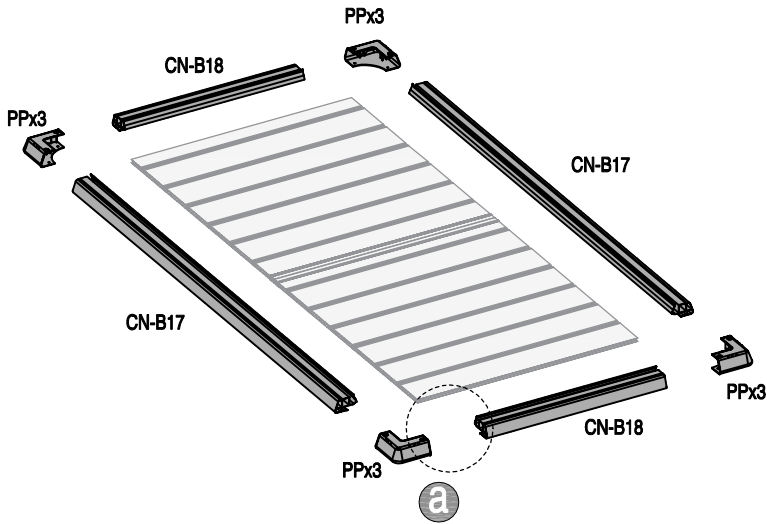
CN-B17  
x2



CN-B18  
x2



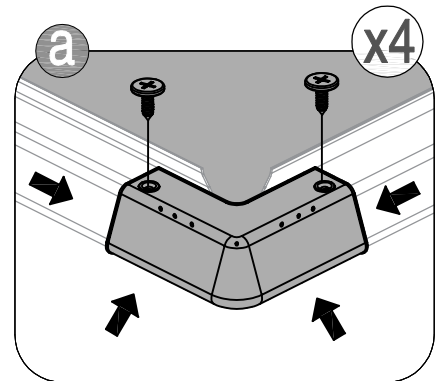
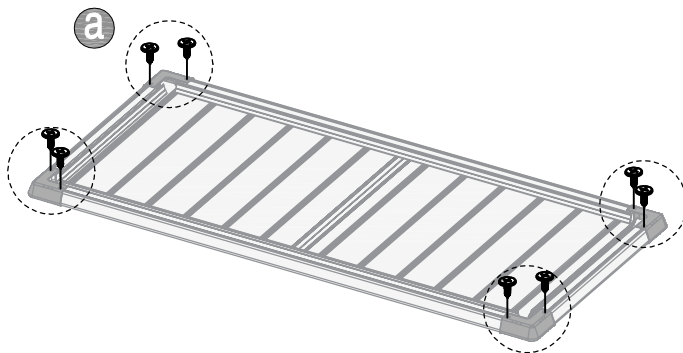
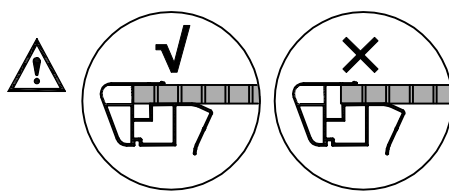
PPx3  
x4



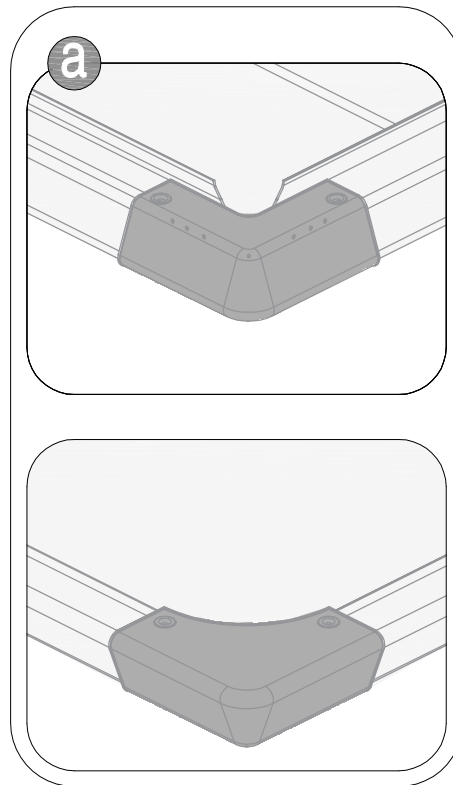
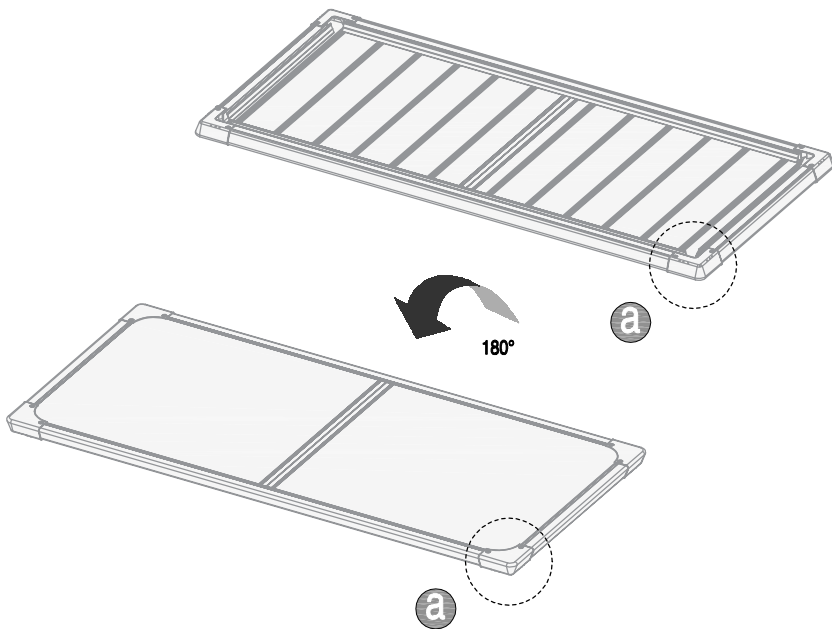
25



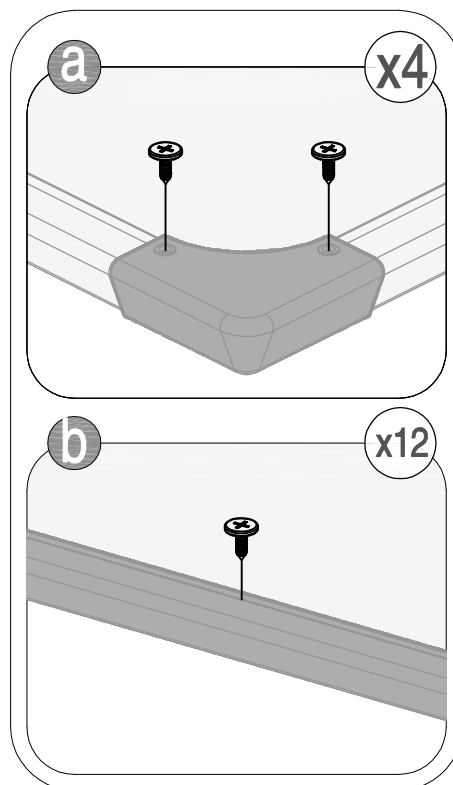
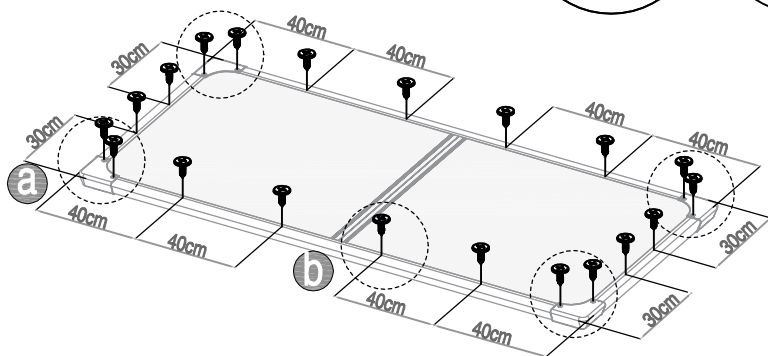
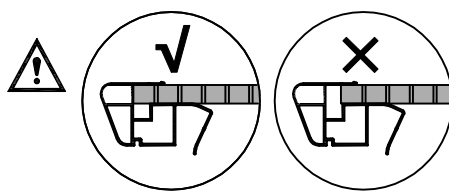
CN-B24  
x8



26



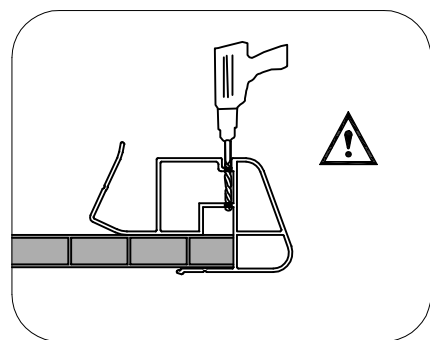
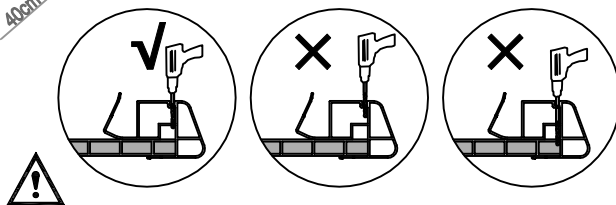
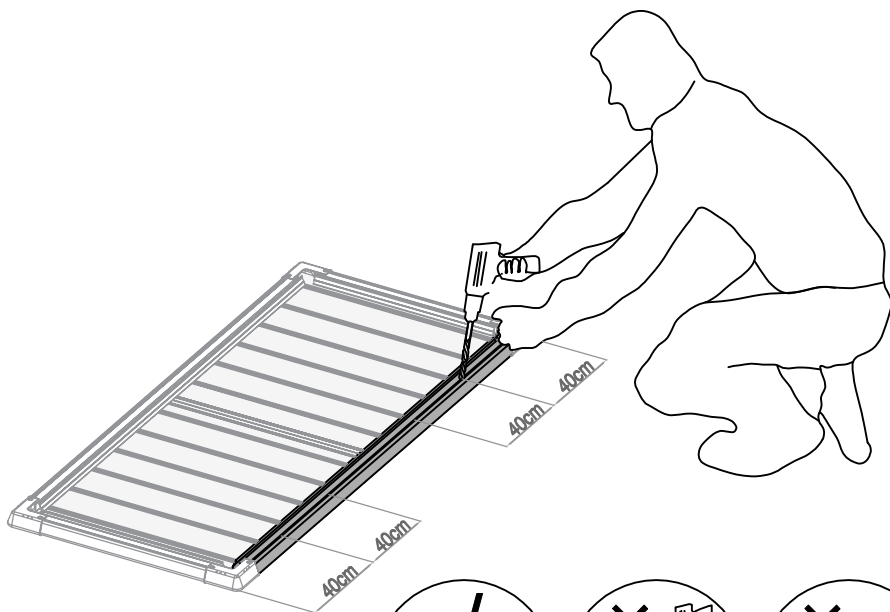
27



28



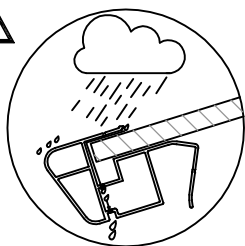
Ø8mm



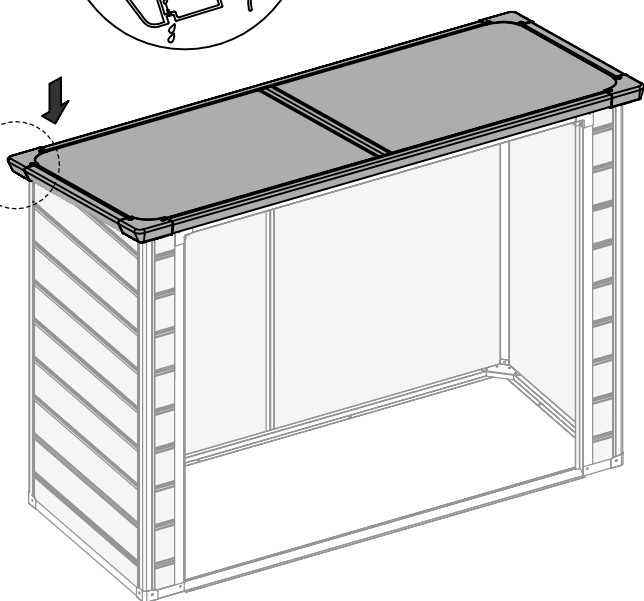
29



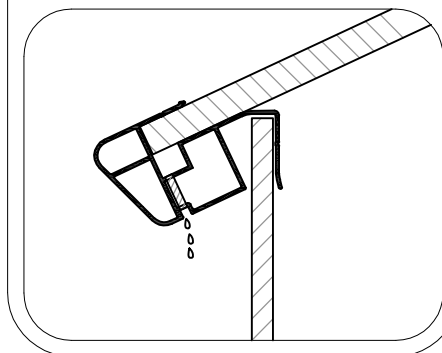
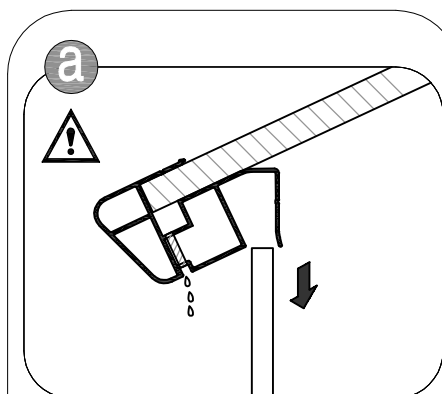
CN-A33



a



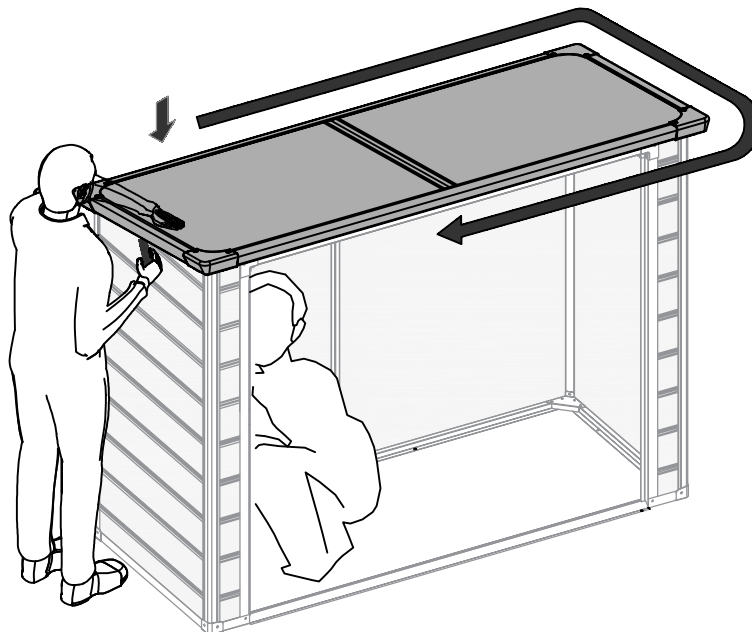
a



30



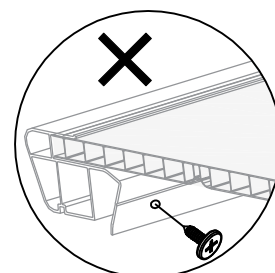
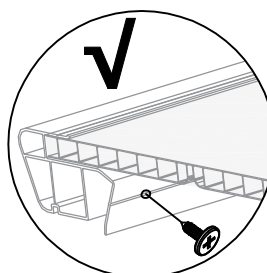
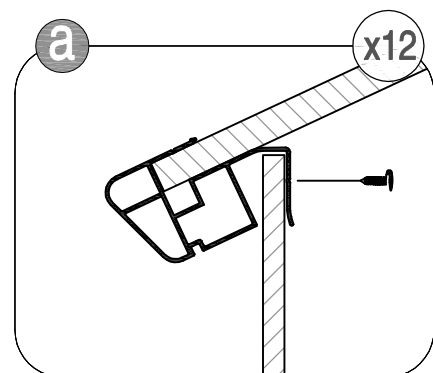
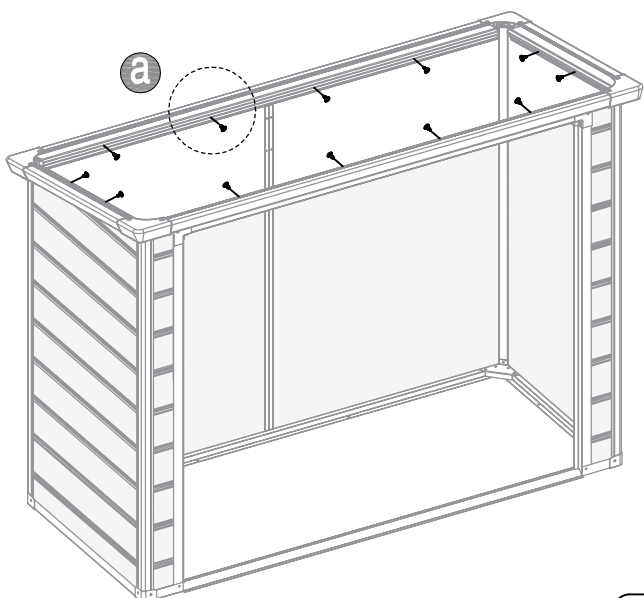
CN-A33



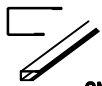
31



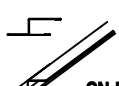
CN-B25  
x12



32



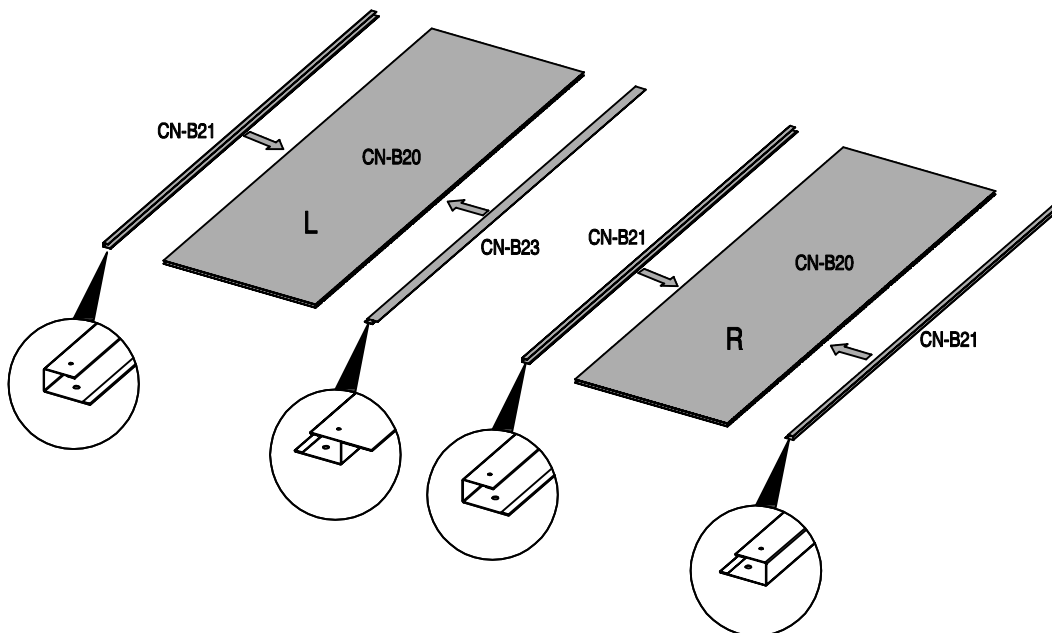
CN-B21  
x3



CN-B23  
x1



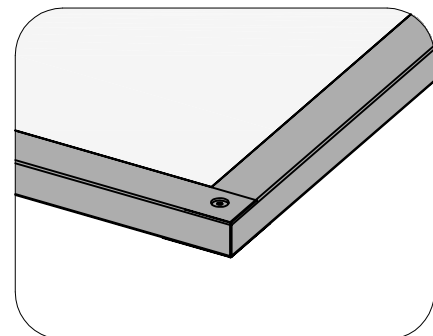
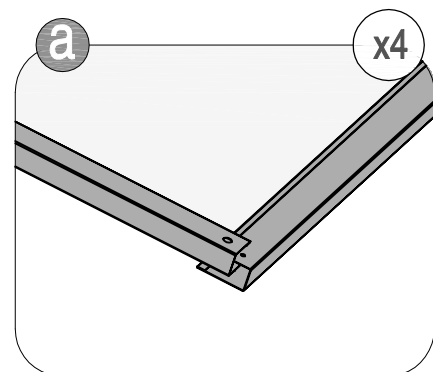
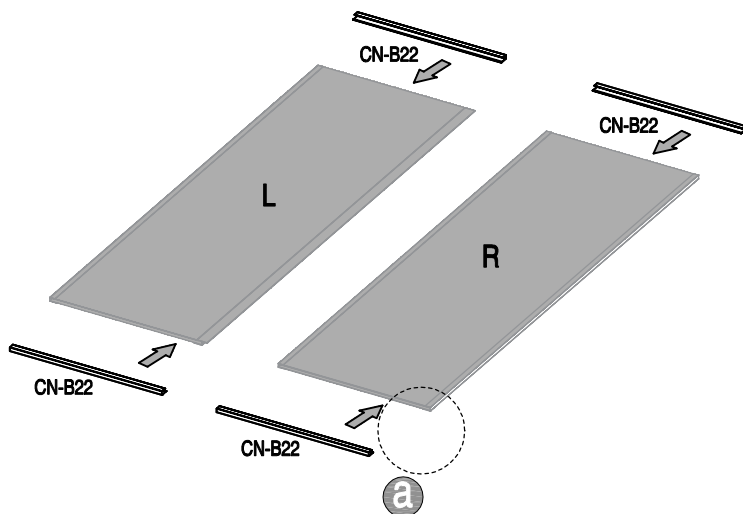
CN-B20  
x2



33



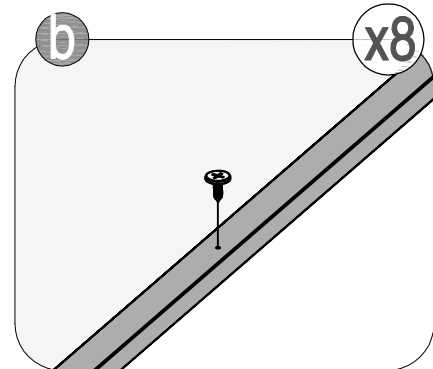
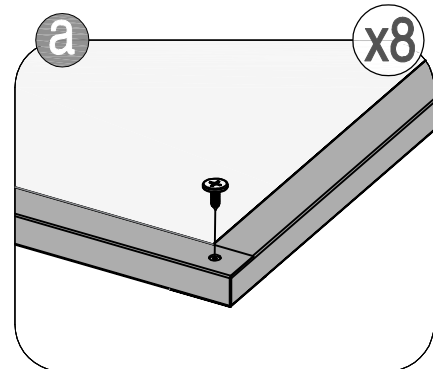
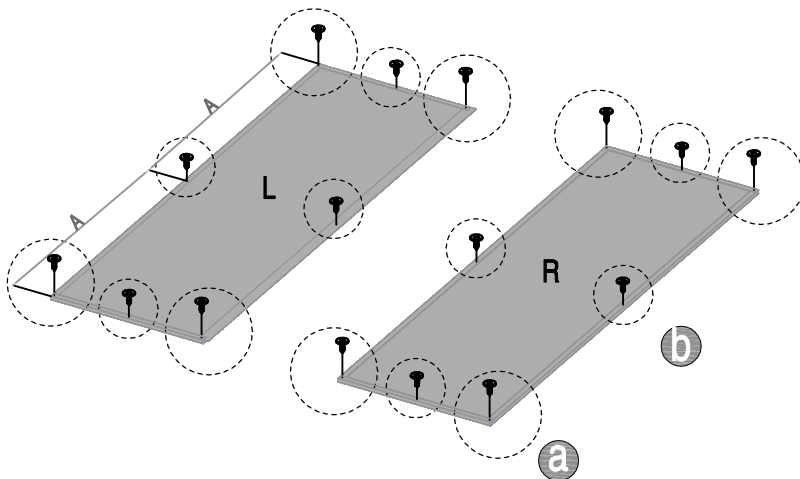
CN-B22  
x4



34



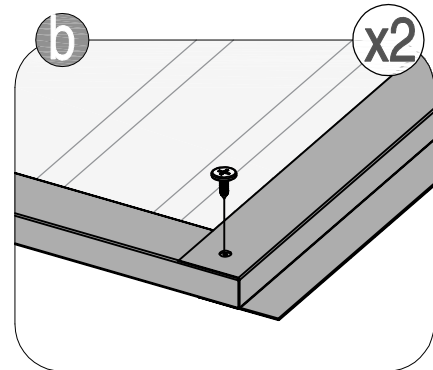
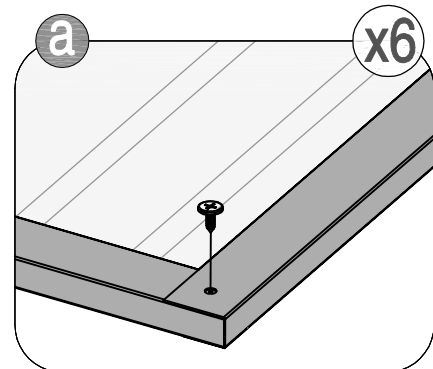
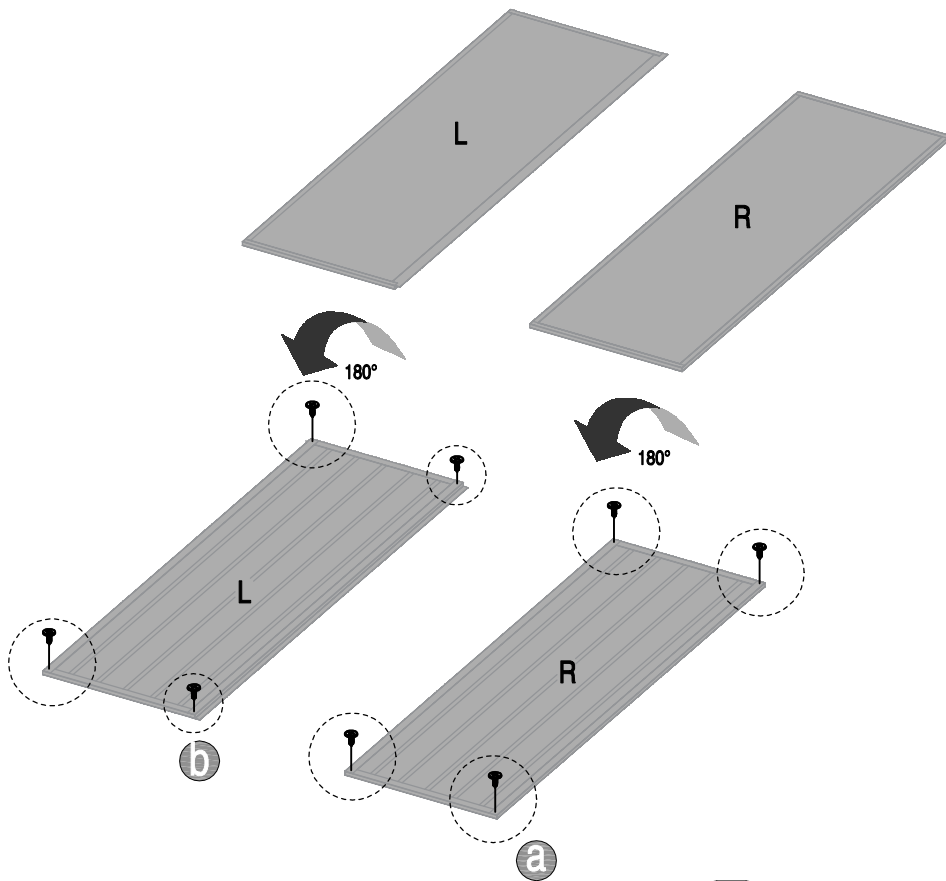
CN-B24  
x16



35



CN-B24  
x8



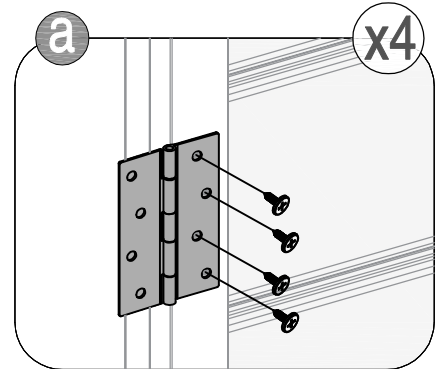
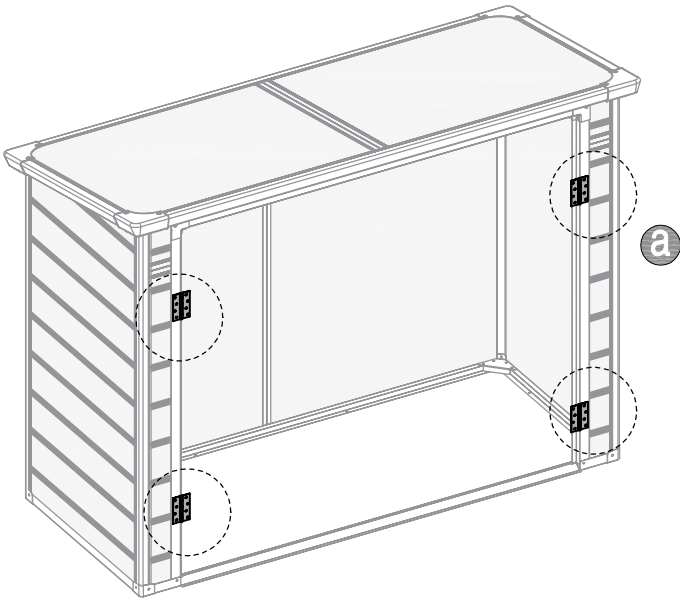
36



VA-41  
x4



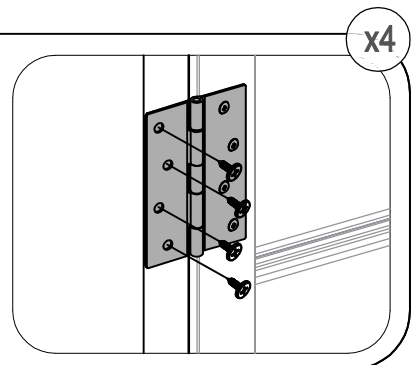
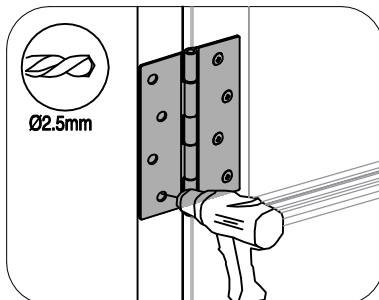
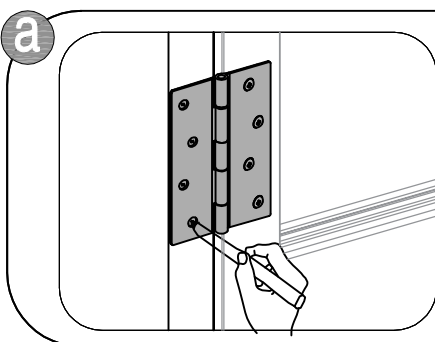
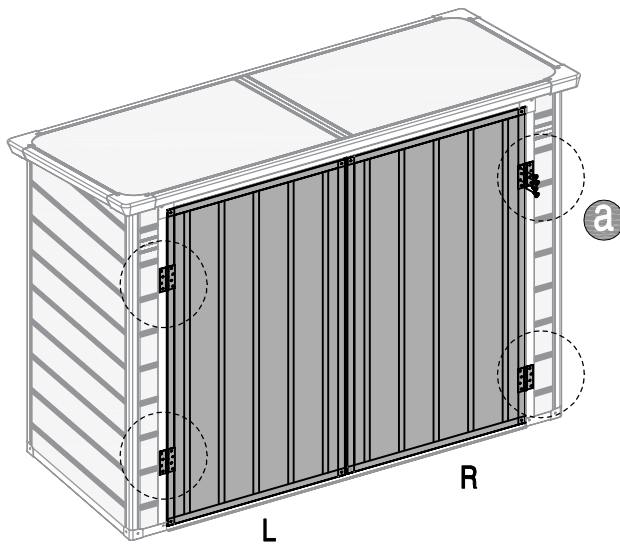
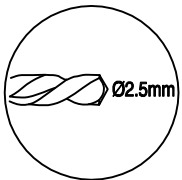
CN-B24  
x16



37



CN-B24  
x16



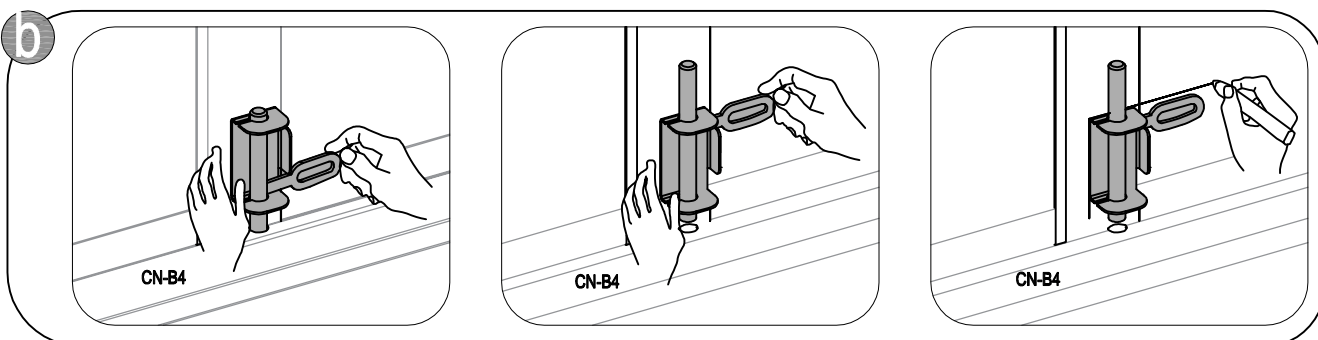
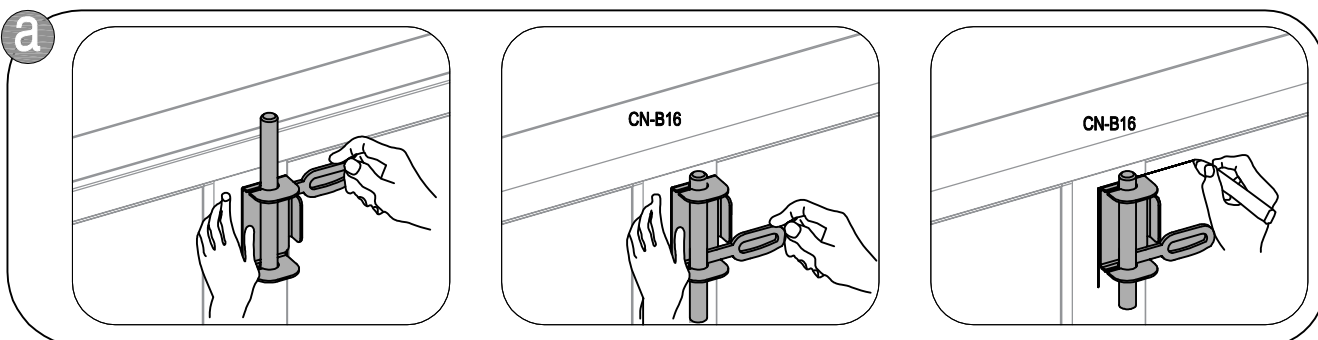
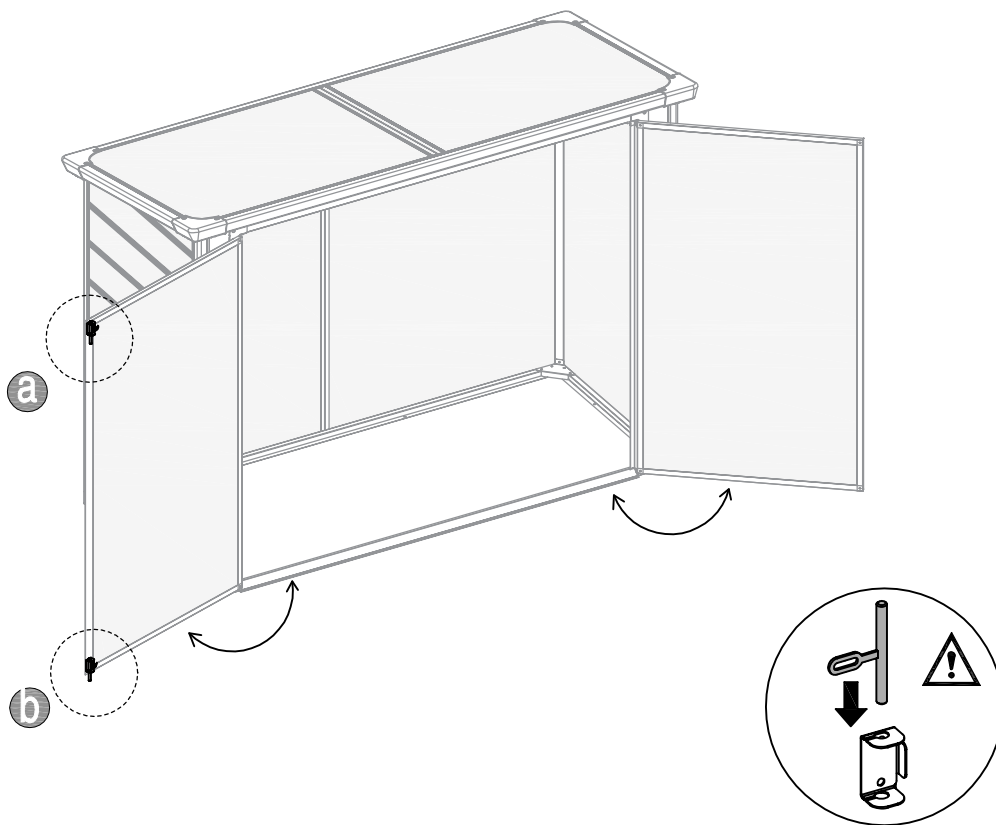
38



VA-38a  
x2



VA-38b  
x2

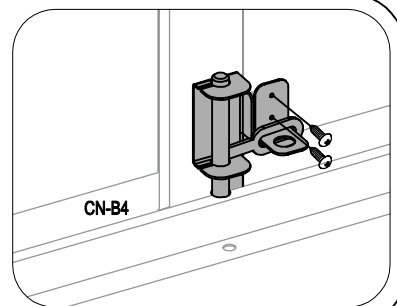
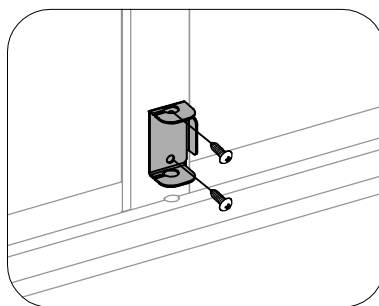
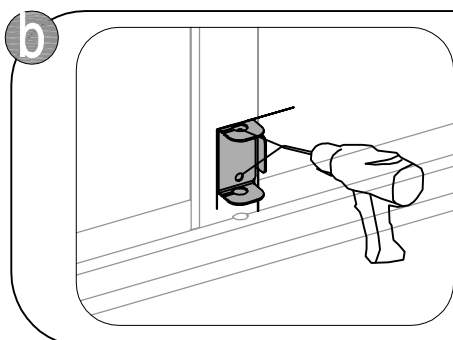
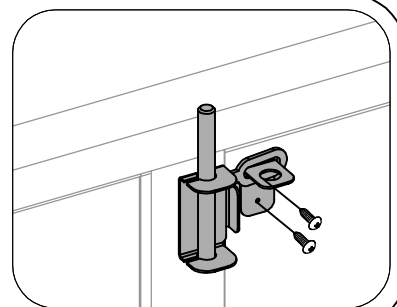
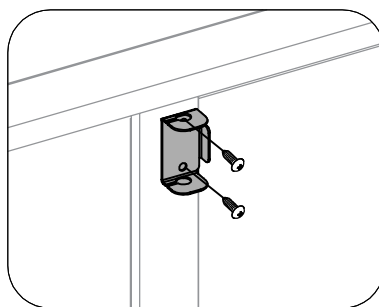
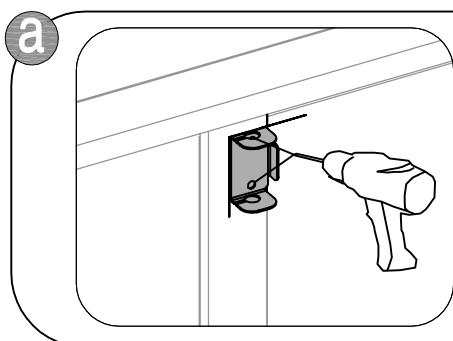
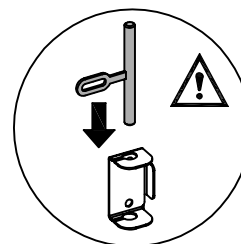
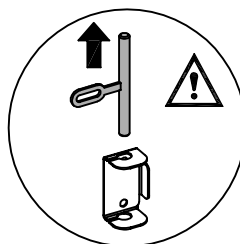
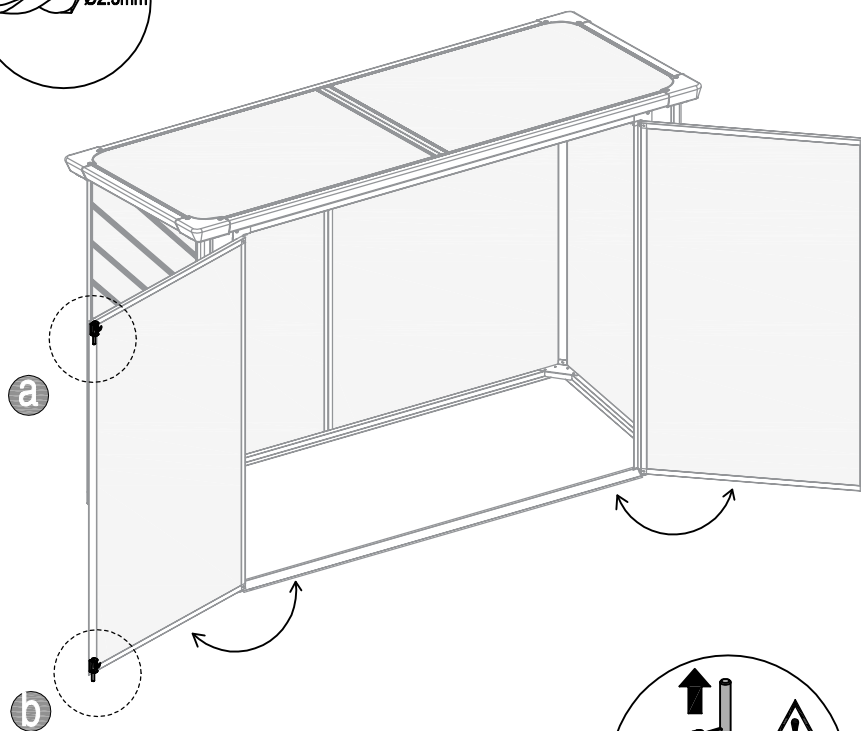
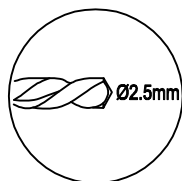




39

CN-B29  
x8

VA-39  
x2



40



VA-40  
x1



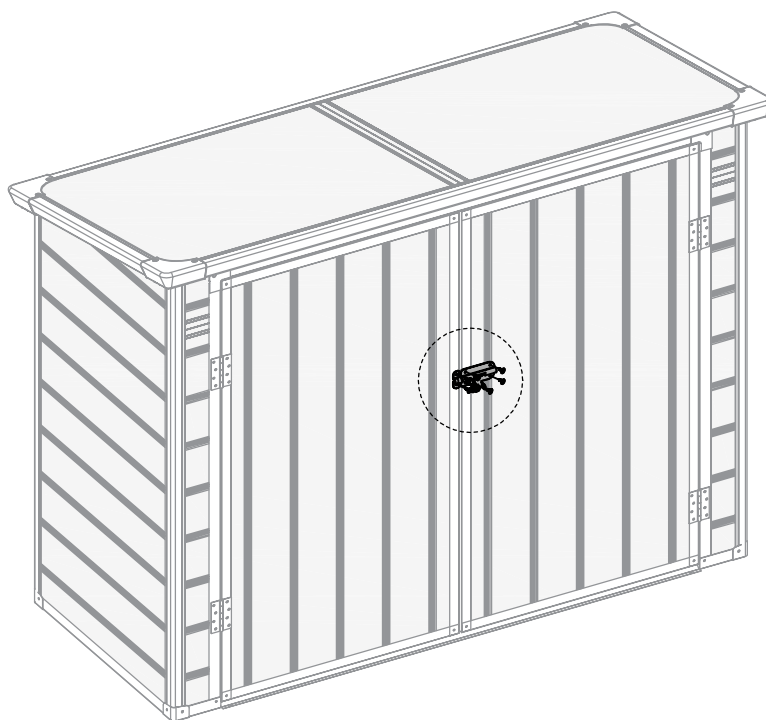
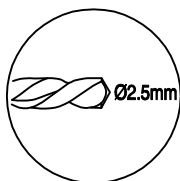
CN-B24  
x4



CN-B25  
x3



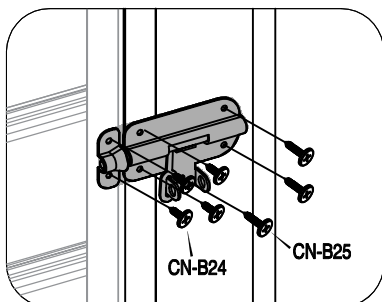
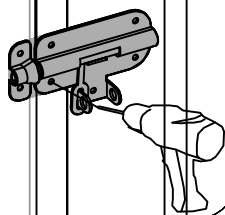
PA01  
x3



a

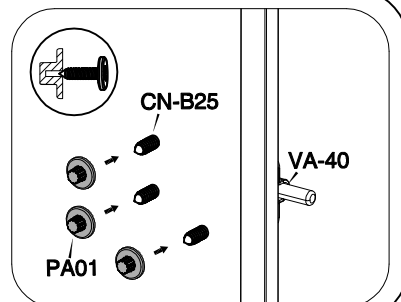


Ø2.5mm



CN-B24

CN-B25



PA01

CN-B25

VA-40

41



CN-B28  
x10

