

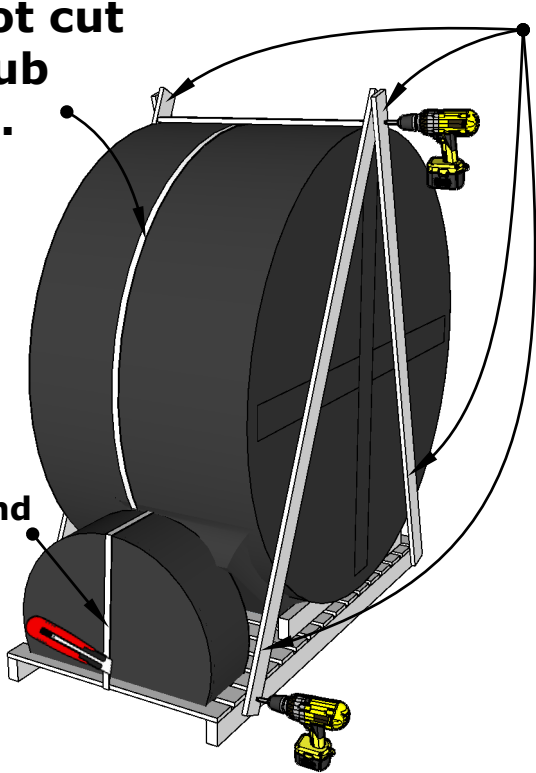
# DeLux Hot tub installation

Serial No \_\_\_\_\_

**NB!**  
Do not cut  
hot tub  
strap.

**I**

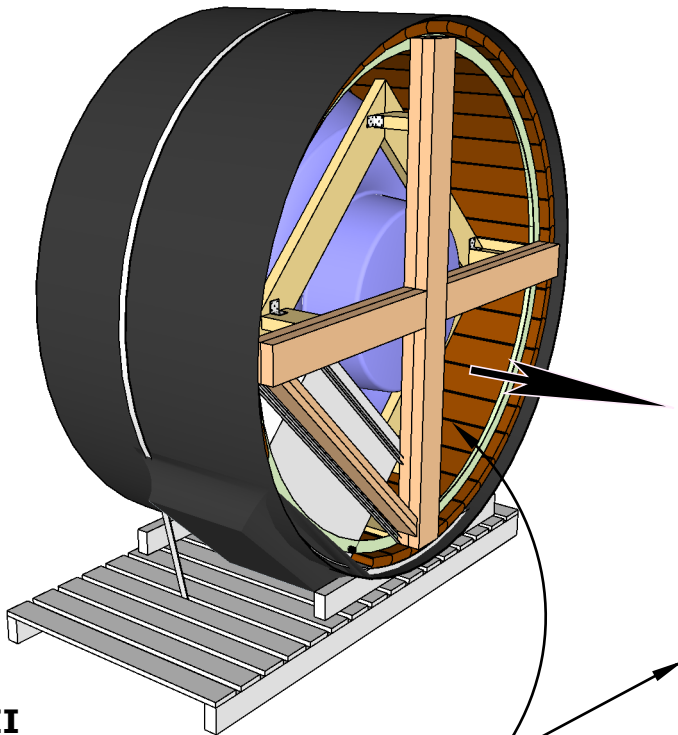
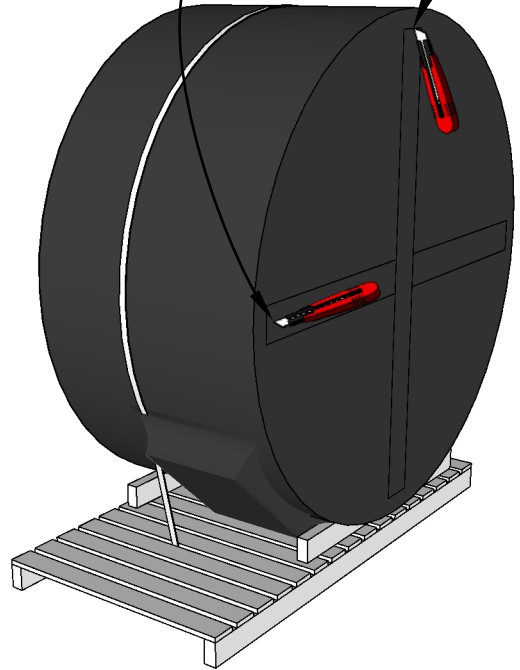
Cut belt and  
remove  
step.



Remove  
boards.

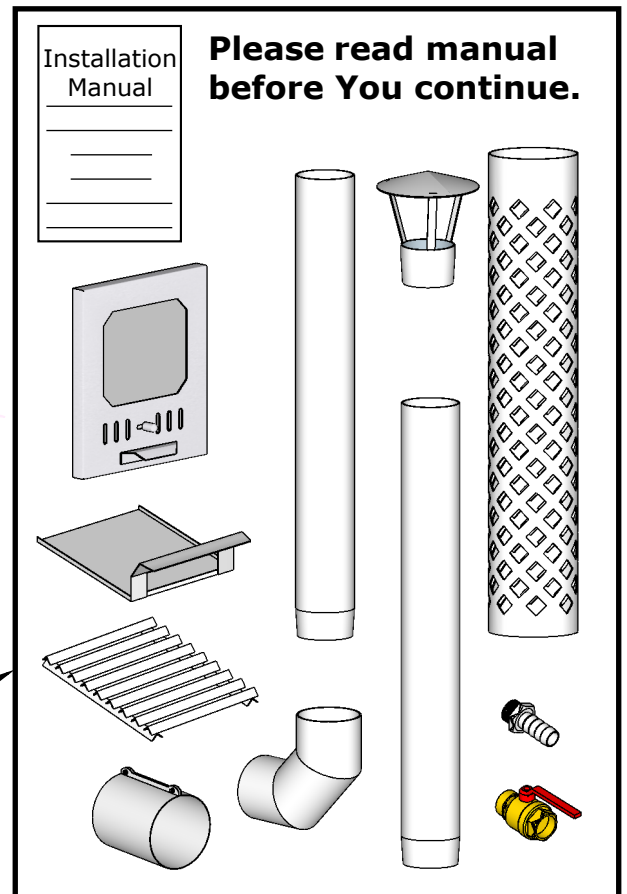
**II**

Cut  
bottom  
plastic.



**III**

Take details out  
and check the  
existence of  
complete set.



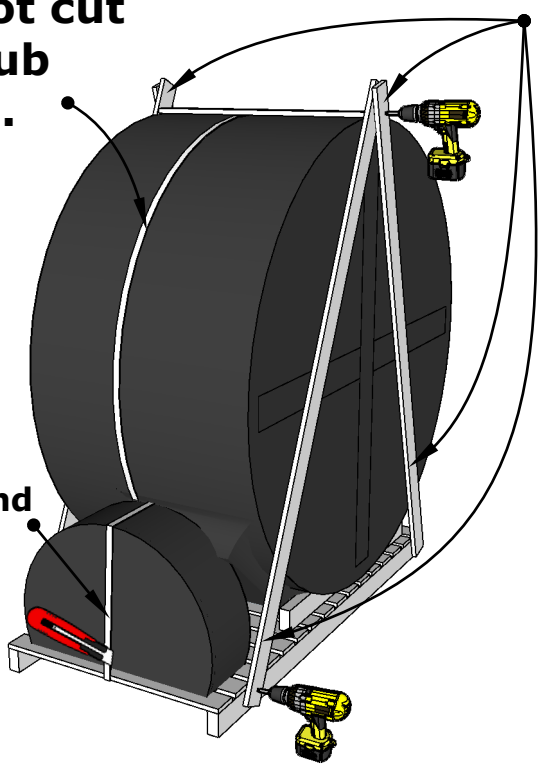
# DeLux Hot tub installation

Serial No \_\_\_\_\_

**NB!**  
**Do not cut hot tub strap.**

**Cut belt and remove step.**

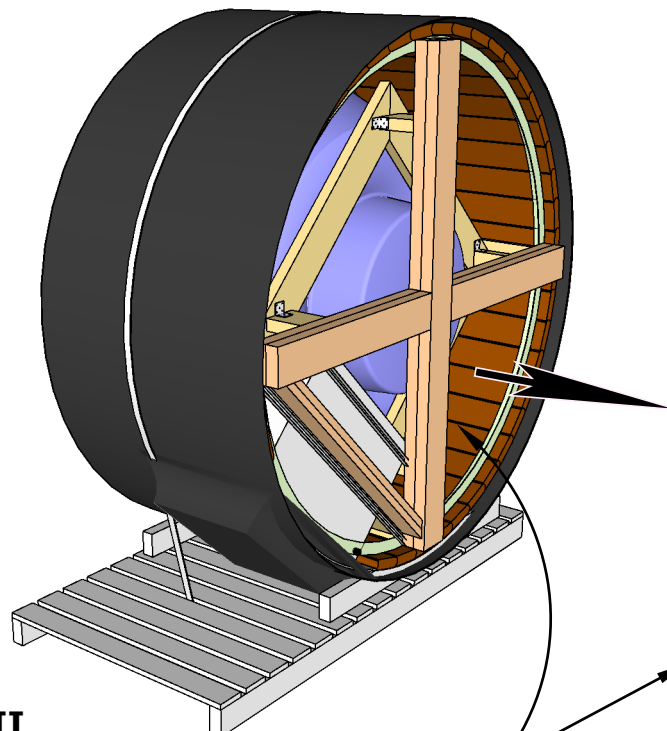
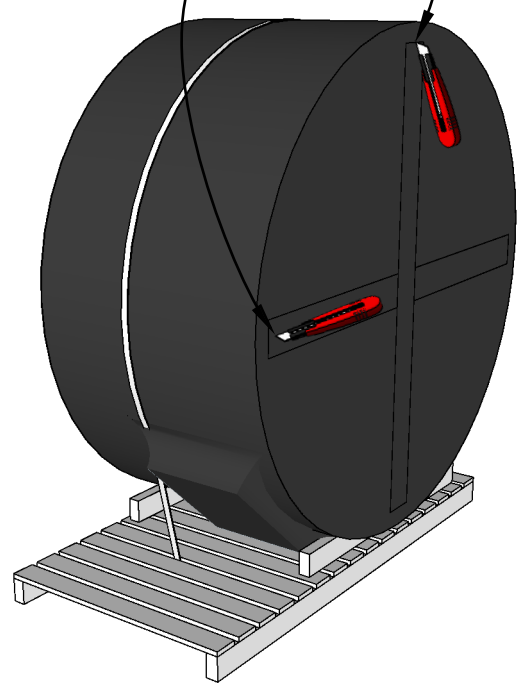
**I**



**Remove boards.**

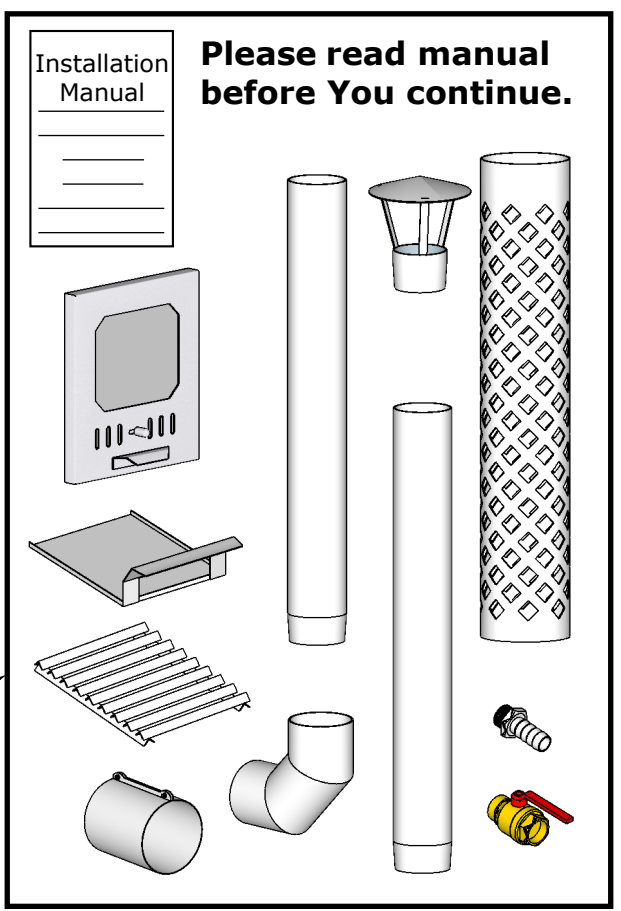
**II**

**Cut bottom plastic.**



**III**

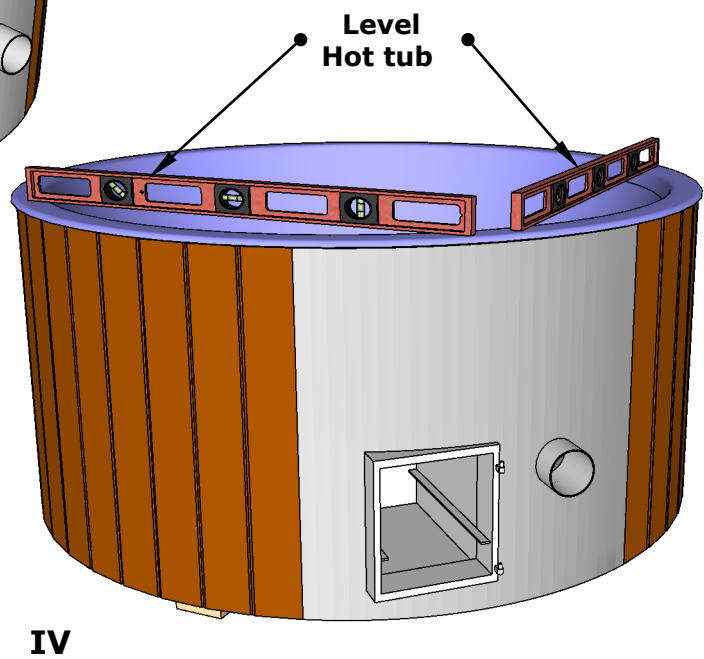
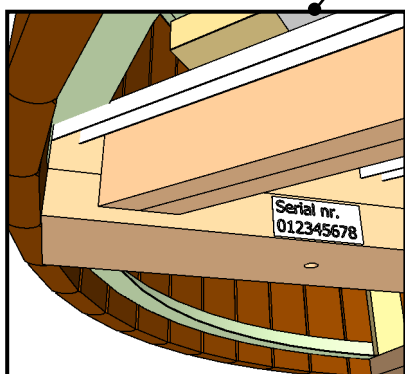
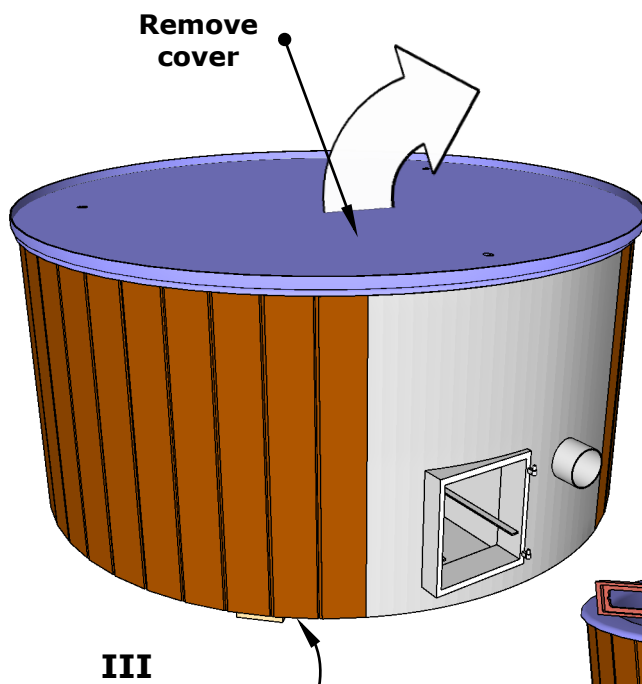
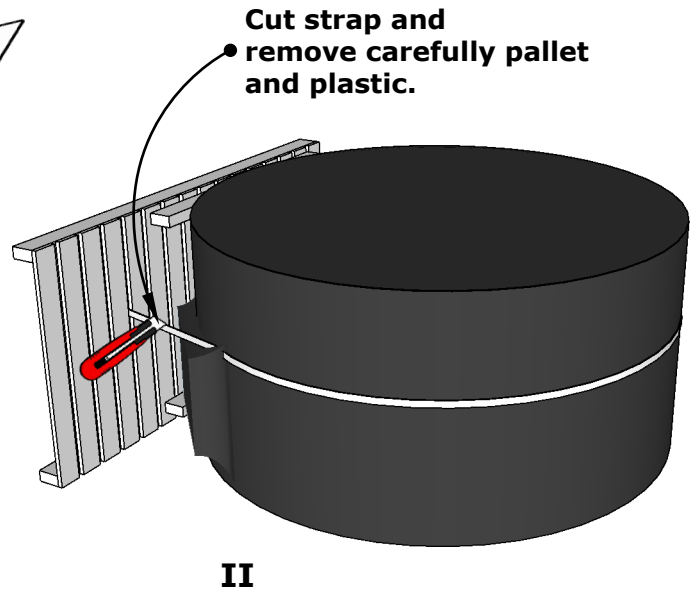
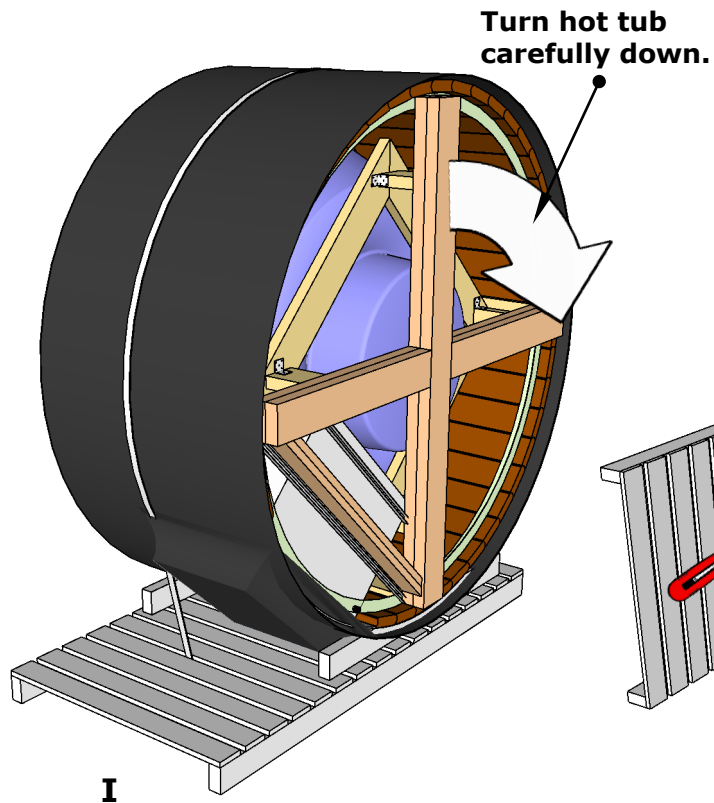
**Take details out and check the existence of complete set.**



Installation Manual

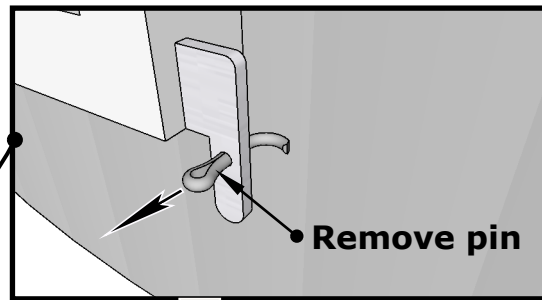
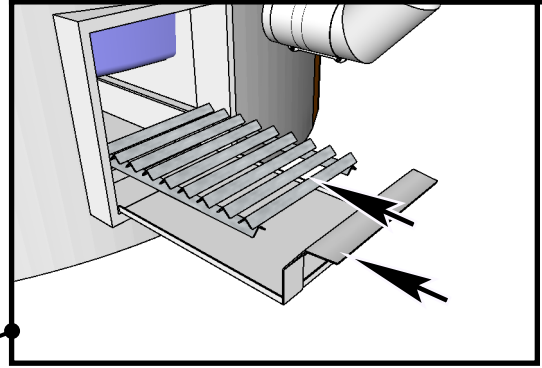
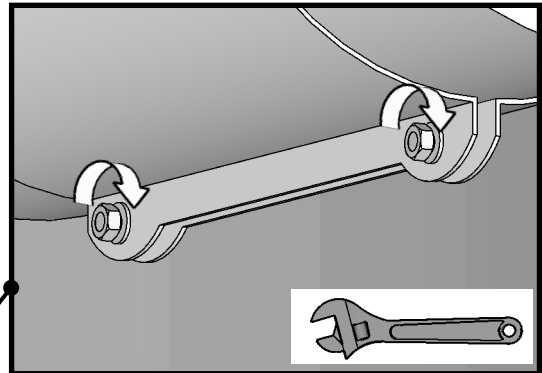
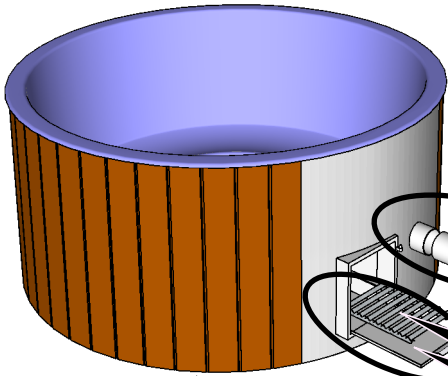
**Please read manual before You continue.**

# DeLux Hot tub installation

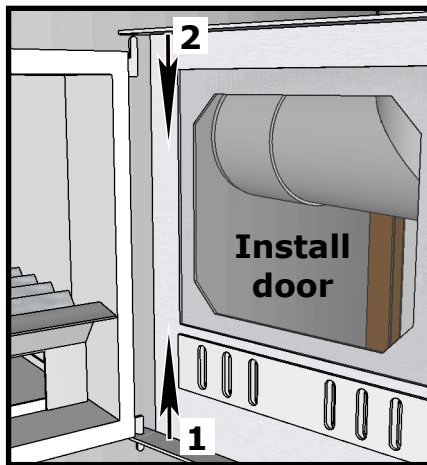
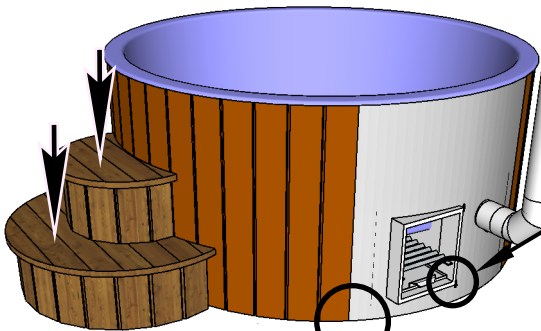


# DeLux Hot tub installation

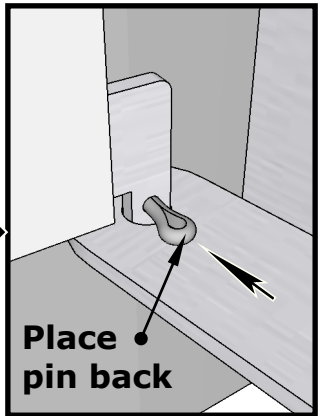
Use waterlevel.



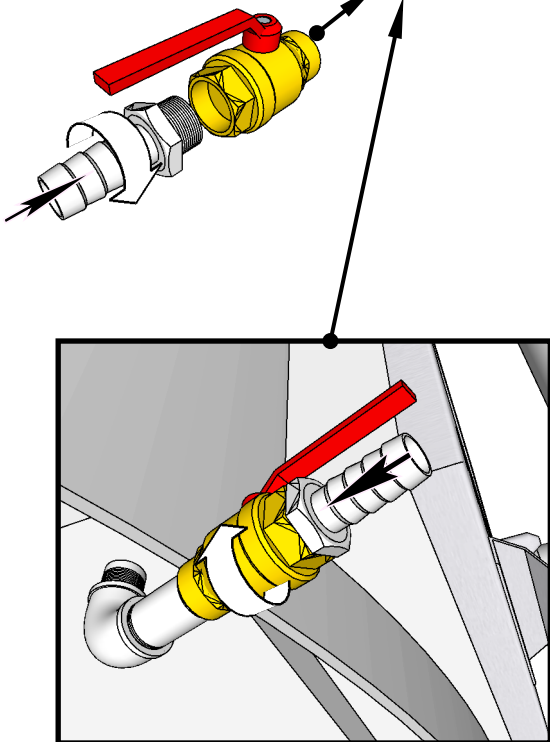
Remove pin



Install door



Place pin back



Waterlevel from top ~150 mm

