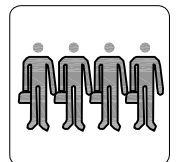
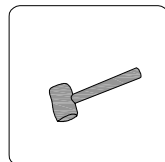
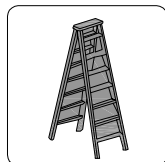
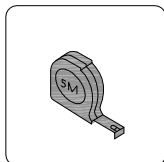
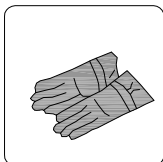
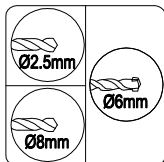
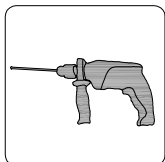
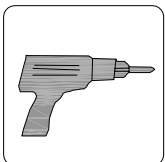
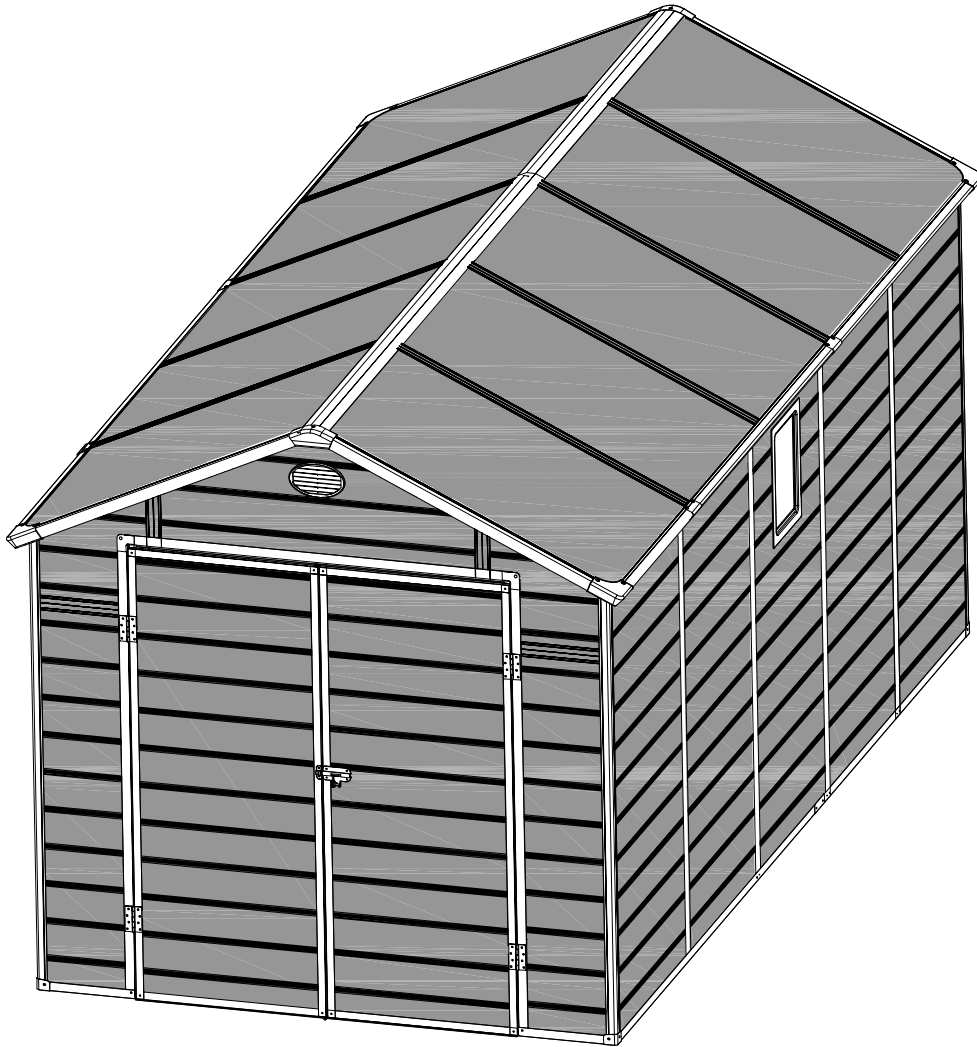
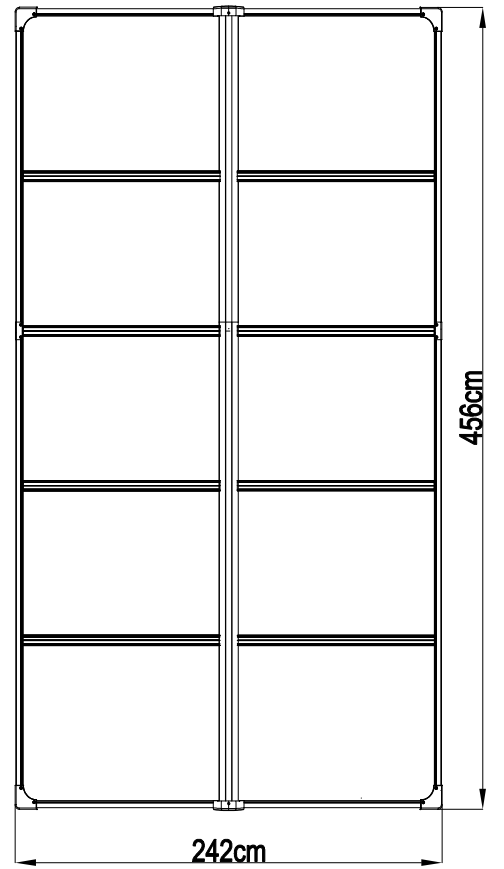
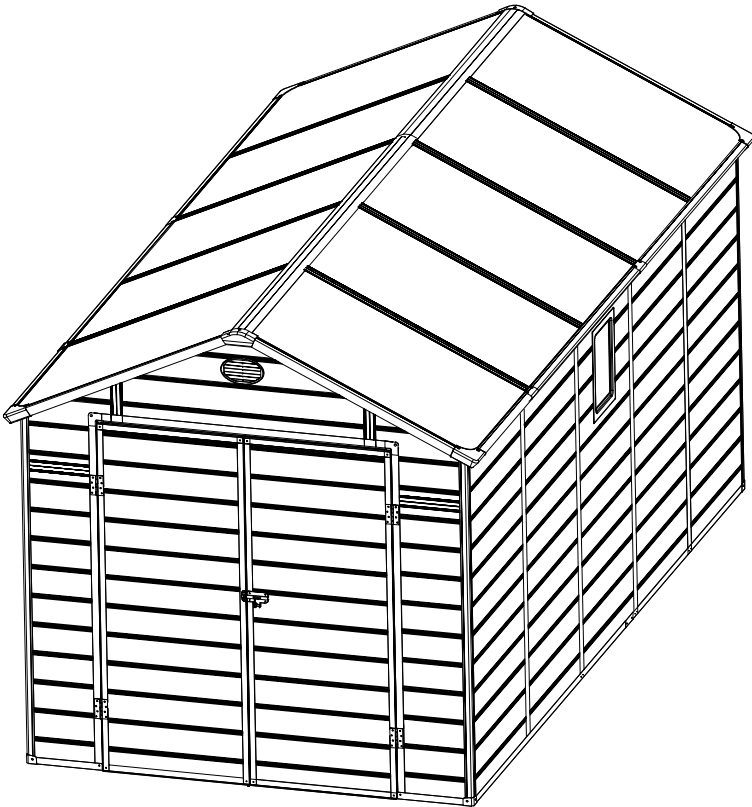
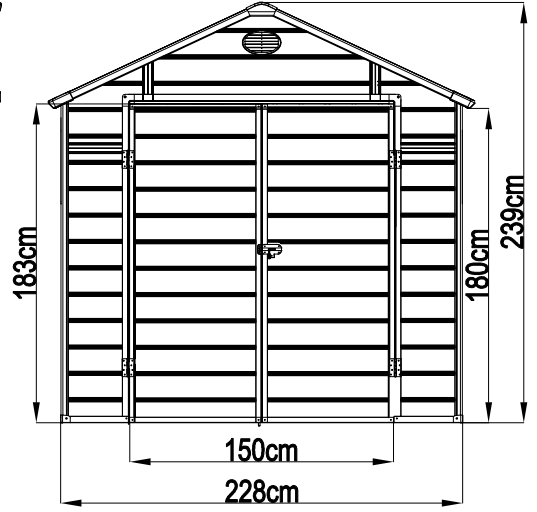
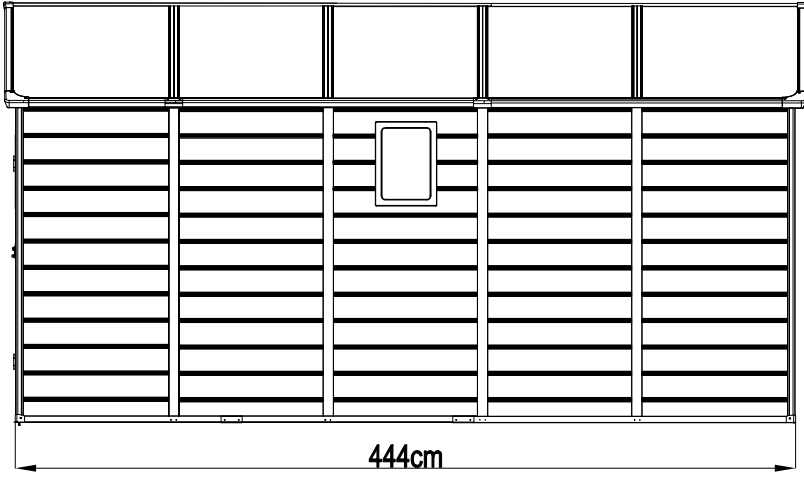






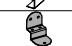



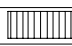


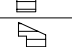




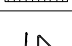
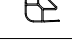

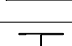




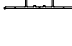

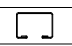


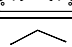
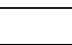
# AVA -J 8x15

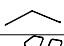




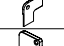







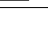
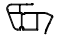

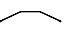

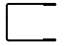






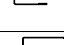
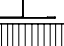
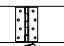

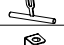




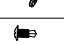
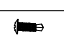
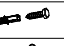



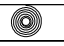





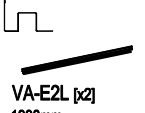
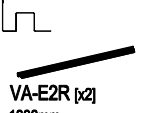
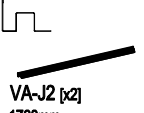
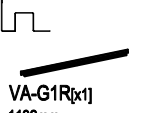
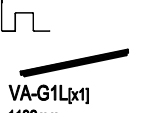




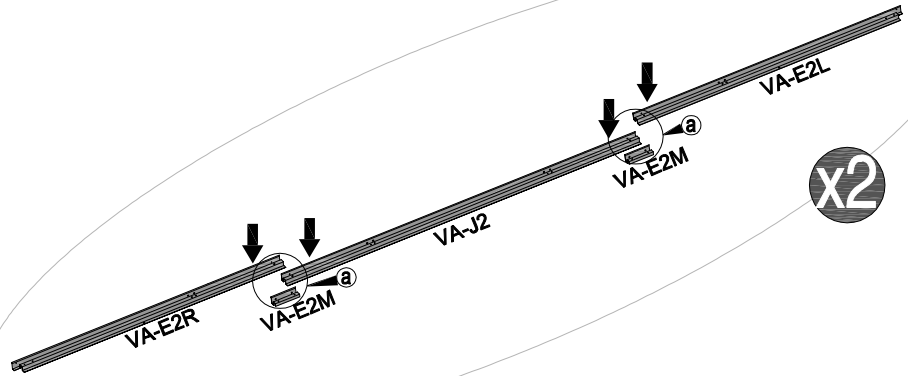
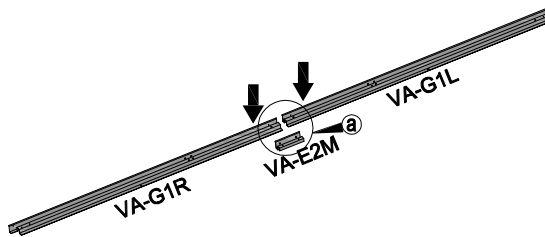
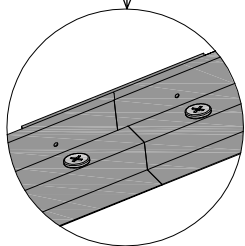
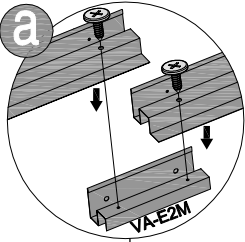
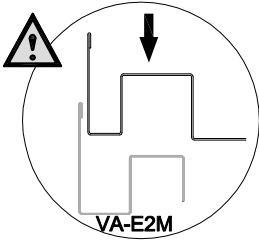


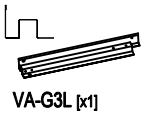
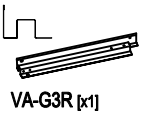
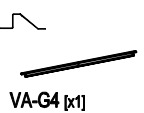
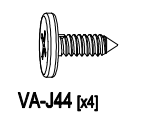


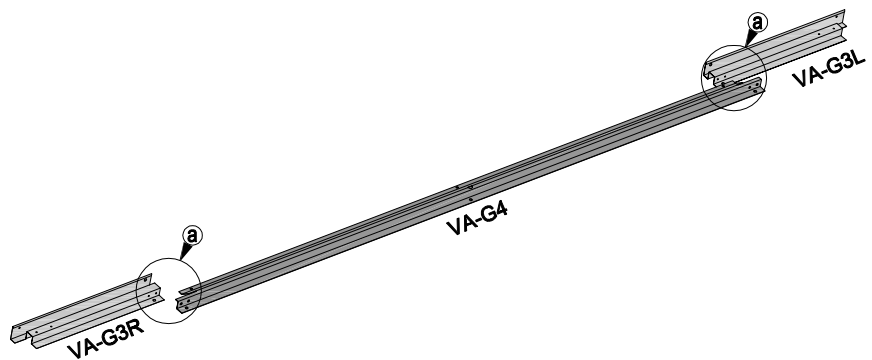
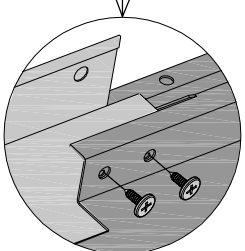
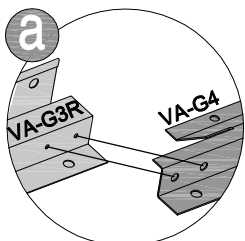
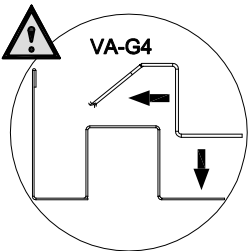
					
VA-G1L		1132mm	x1	3/3	
VA-G1R		1132mm	x1	3/3	
VA-J2		1760mm	x2	3/3	
VA-E2R		1330mm	x2	3/3	
VA-E2L		1330mm	x2	3/3	
VA-G3R		377mm	x1	3/3	
VA-G3L		377mm	x1	3/3	
VA-E2M			120mm	x5	3/3
VA-G4			1588mm	x1	3/3
VA-30			x8	2/3	
VA-31			x4	2/3	
VA-37			x10	2/3	
					
PB1		876x1840mm	x9	1/3	
PB1W		876x1840mm	x1	1/3	
PC2M		1270x542mm	x1	2/3	
PC2L		461x493mm	x1	2/3	
PC2R		461x493mm	x1	2/3	
PC3L		743X1072mm	x1	1/3	
PC3R		743X1072mm	x1	1/3	
PC3M		743X1248mm	x1	2/3	
PC4		743X1100mm	x3	2/3	
PC5		365X1548mm	x2	1/3	
VA-C7R		1860mm	x2	1/3	
VA-C7L		1860mm	x2	1/3	
VA-C5		1840mm	x10	3/3	
VA-C5c		365mm	x2	3/3	
VA-C6b		200mm	x2	3/3	
W1			x1	2/3	
W2			x1	2/3	
PPX10			x1	2/3	
VA-G8		738mm	x3	2/3	
VA-G9		360mm	x2	2/3	
VA-G9b		254mm	x2	2/3	
VA-G11		740mm	x3	3/3	
VA-G12		362mm	x2	3/3	
VA-G12b		225mm	x2	3/3	
VA-G14b		1200mm	x1	3/3	
VA-G14c		1052mm	x1	3/3	
VA-G14AL		345mm	x1	3/3	
VA-G14AR		345mm	x1	3/3	
VA-H15		970mm	x2	3/3	
VA-F16		1678mm	x2	3/3	
VA-J16		1805mm	x2	3/3	
VA-E17		977mm	x2	3/3	
VA-E18		1745mm	x2	3/3	
VA-J18		1805mm	x2	3/3	
VA-G19			1181mm	x8	3/3
VA-D20		725mm	x4	3/3	
VA-33			x8	3/3	
VA-34			x4	3/3	
VA-E23		1348mm	x2	3/3	

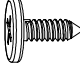
VA-J23		1780mm	x1	3/3
VA-36			x2	2/3
VA-32R			x2	2/3
VA-32L			x2	2/3
VA-35			x2	2/3
PPX5			x2	2/3
PPX8			x2	2/3
PPX9			x2	2/3
VA-43			x2	2/3
				
PC6-C		1285X920mm	x4	2/3
PC6-M		1285X856mm	x6	2/3
VA-G10		1285mm	x8	2/3
VA-G13		1285mm	x8	3/3
VA-G21		1165mm	x4	2/3
VA-E22		1282mm	x4	3/3
VA-J22		1740mm	x2	3/3
VA-E24		1440mm	x2	3/3
VA-J24		1861mm	x1	3/3
VA-E41		983mm	x2	3/3
VA-F42		1862mm	x2	3/3
VA-J41		1862mm	x2	3/3
PPX3			x4	2/3
PPX4			x2	2/3
PPX11			x4	2/3
				
VA-C25R		1830mm	x1	3/3
VA-C25L		1830mm	x1	3/3
VA-G26		1508mm	x1	3/3
VA-C27		1812mm	x3	3/3
VA-G28		747mm	x4	3/3
VA-C29		1812mm	x1	3/3
PC7		746x1810mm	x2	1/3
VA-41			x4	2/3
VA-38a			x2	2/3
VA-38b			x2	2/3
VA-39			x2	2/3
VA-40			x1	2/3
CN-A33			x2	2/3
PA01			x3	2/3
VA-J44		ST4.2x13mm	x510	2/3
VA-J45		ST4.2x19mm	x137	2/3
VA-J46		ST4.2x13mm	x83	2/3
VA-J47		ST4.2x19mm	x4	2/3
VA-J48		ST6.0x40mm	x19	2/3
VA-J49		ST4.2x13mm	x26	2/3
VA-J50		M6x40mm	x40	2/3
VA-51			x1	2/3
VA-J52			x2	2/3
VA-53			x4	2/3

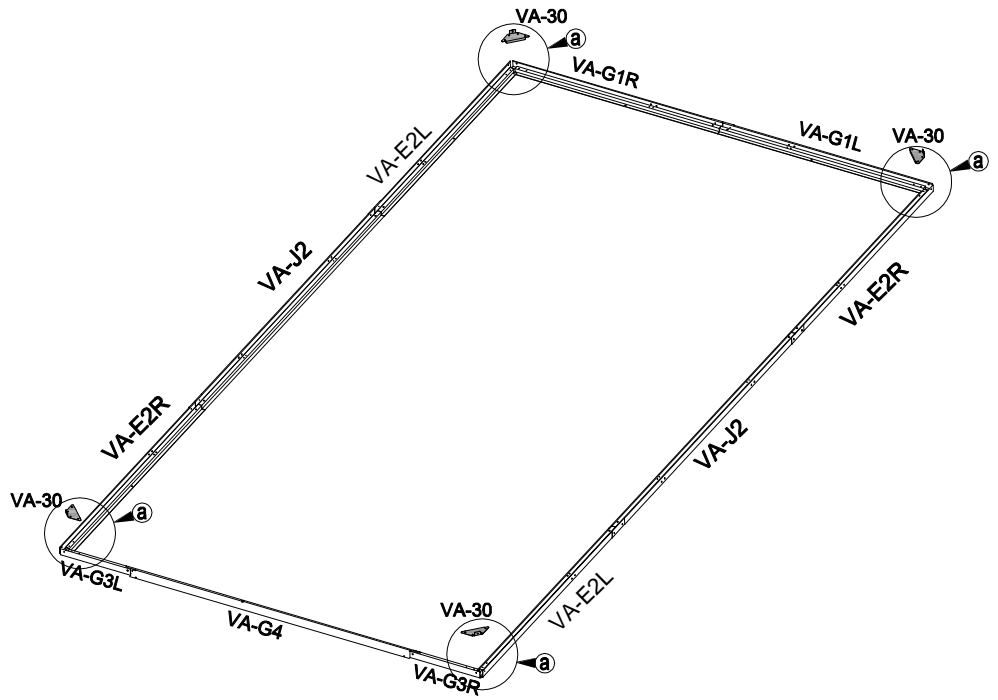
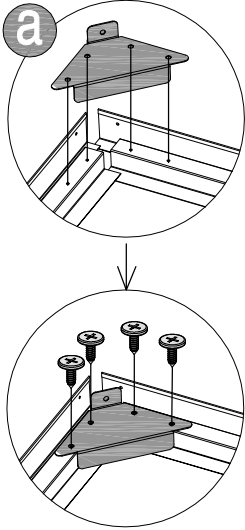
1							
	VA-E2L [x2] 1330mm	VA-E2R [x2] 1330mm	VA-J2 [x2] 1760mm	VA-G1R[x1] 1132mm	VA-G1L[x1] 1132mm	VA-E2M [x5] 120mm	VA-J44 [x10] 13mm




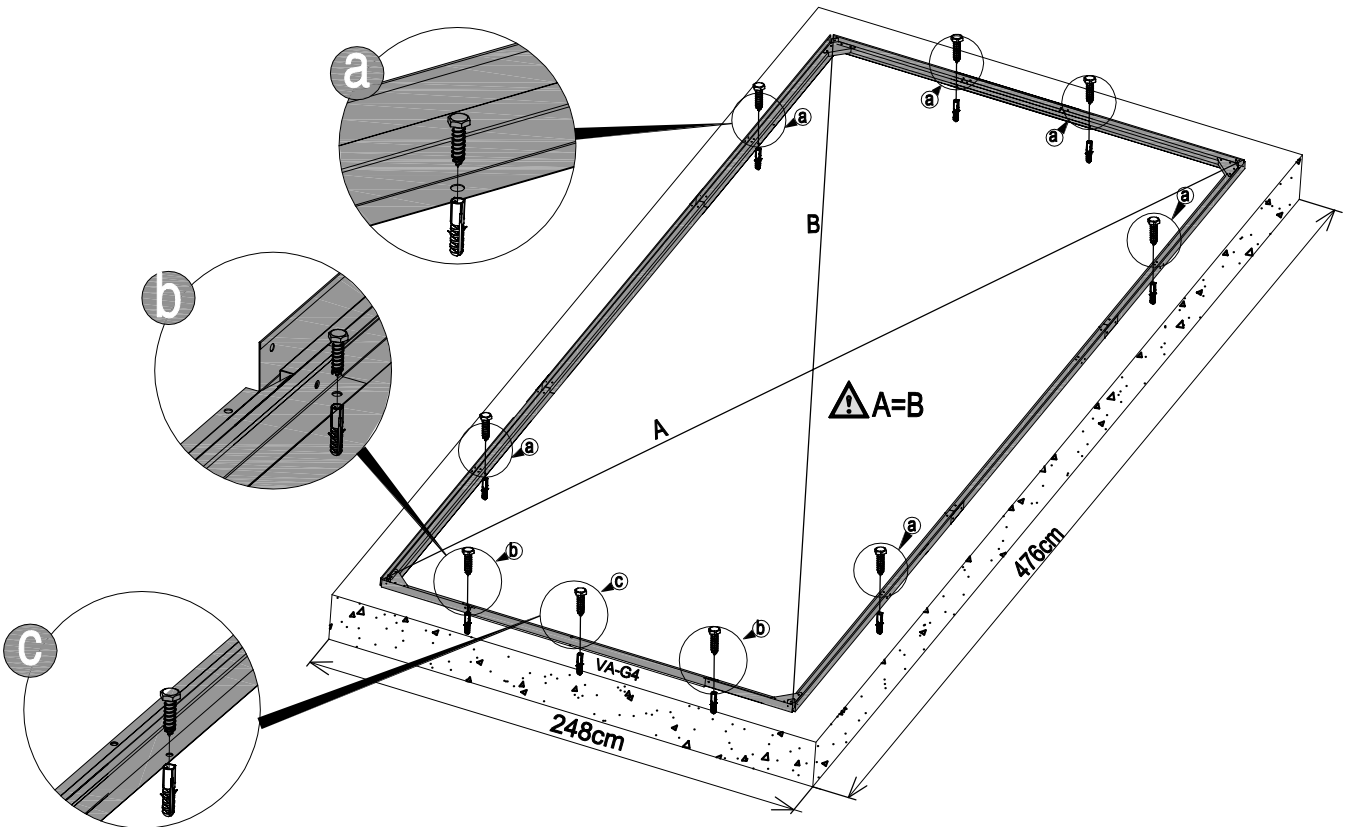
2				
	VA-G3L [x1] 377mm	VA-G3R [x1] 377mm	VA-G4 [x1] 1588mm	VA-J44 [x4] 13mm

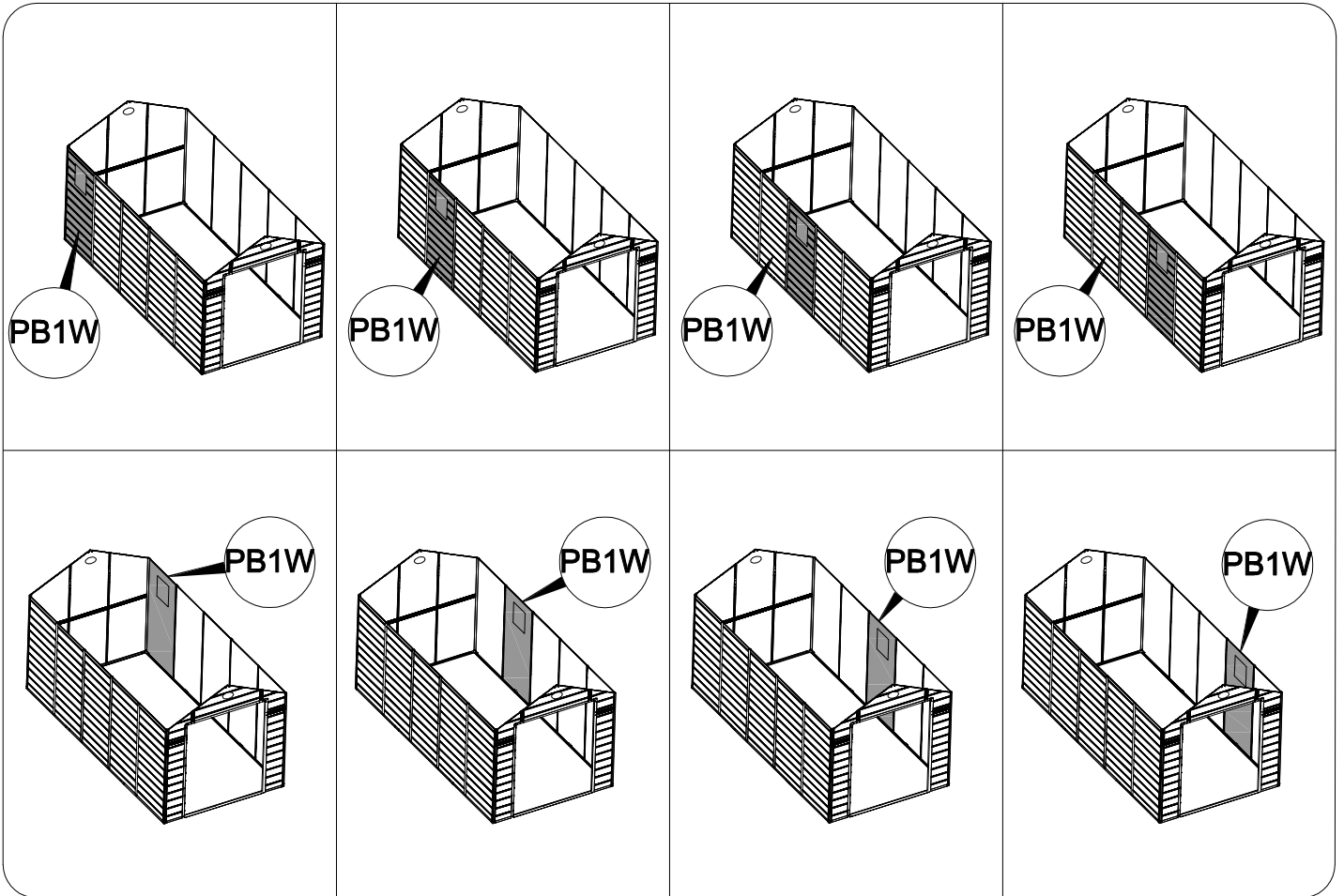






<b>3</b>	 VA-30 [x4]	 VA-J44 [x16] 13mm
----------	---	---

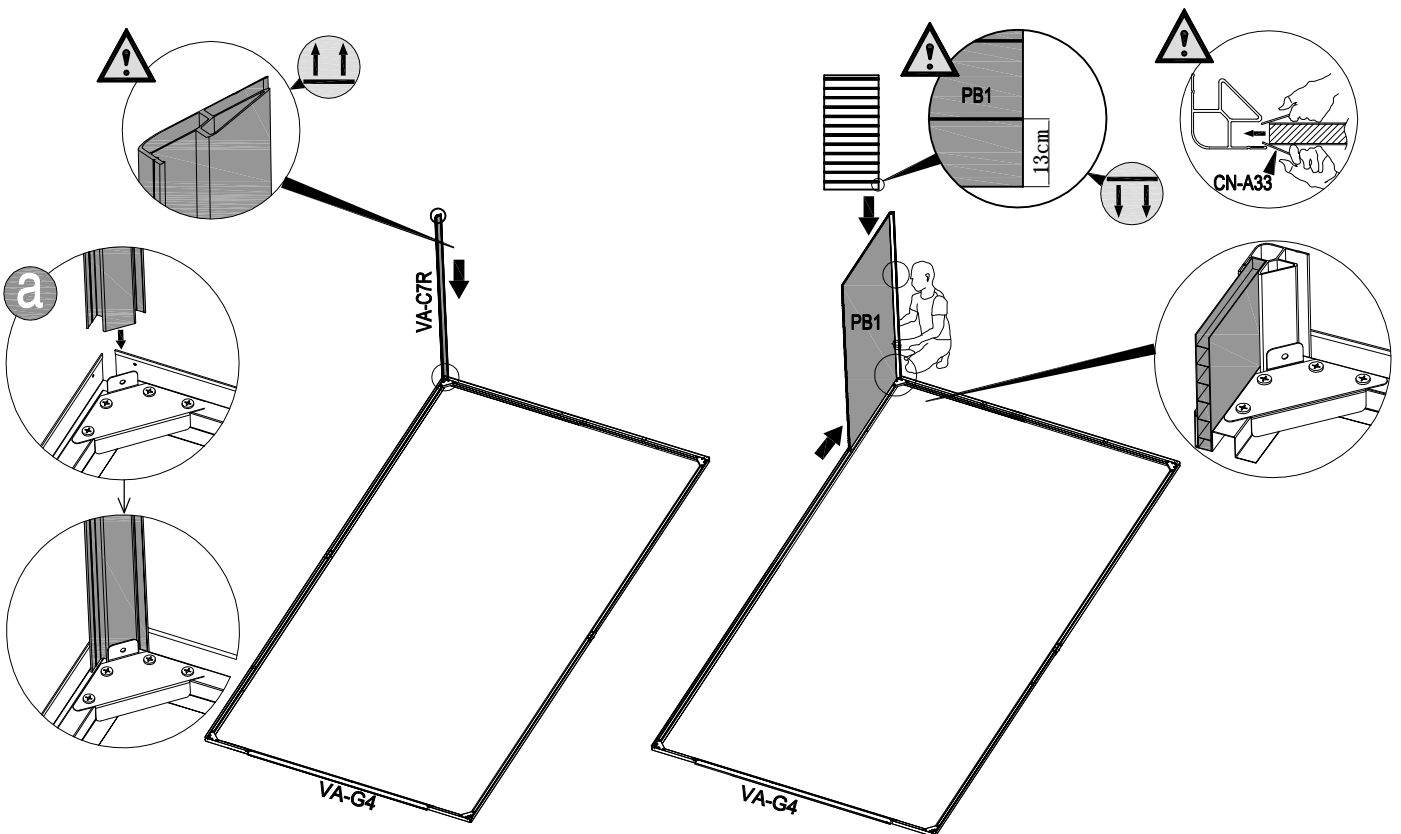


<b>4</b>	 VA-J48 [x9] 40mm
----------	--







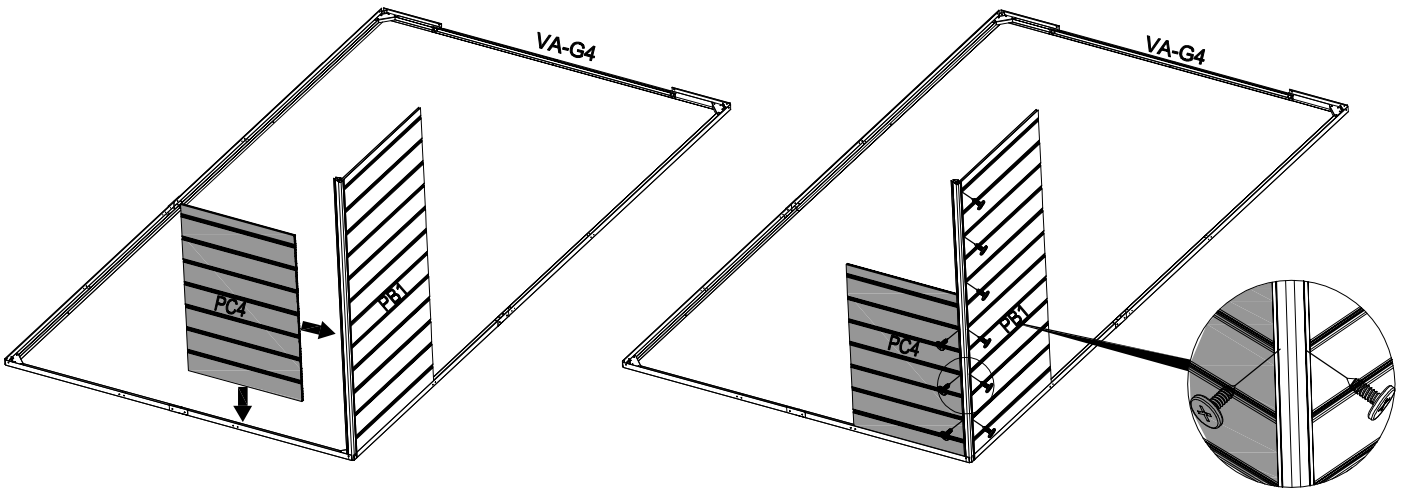
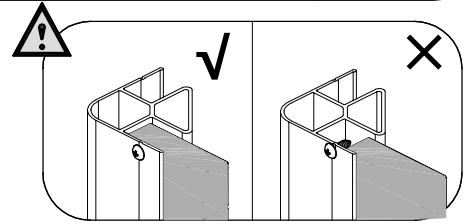
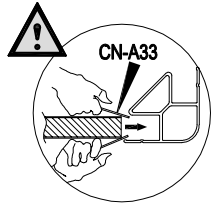
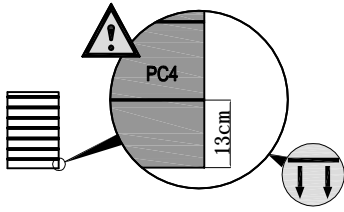





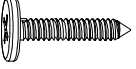
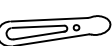

<p><b>5</b></p>	<p>PB1 [x1] 876x1840mm</p> 	<p>VA-C7R [x1] 1880mm</p> 	<p>CN-A33</p> 	
-----------------	--	---	---	---

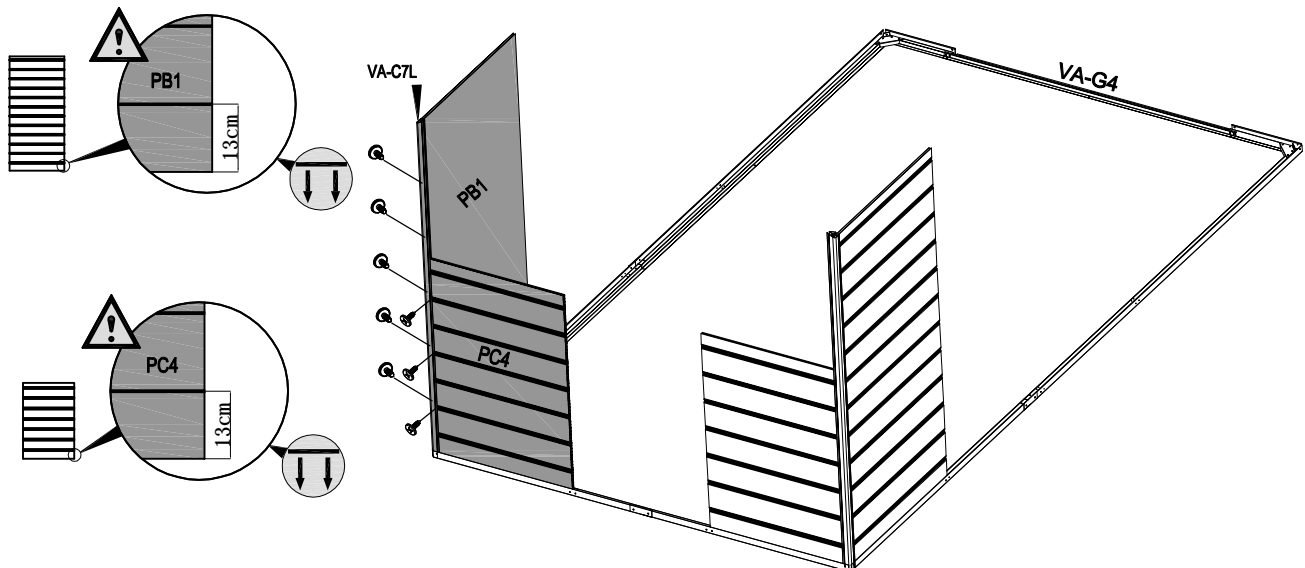
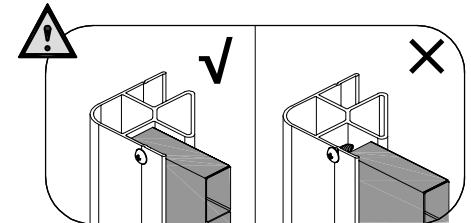
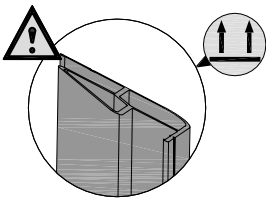


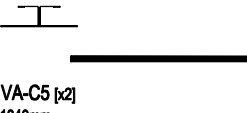
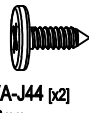



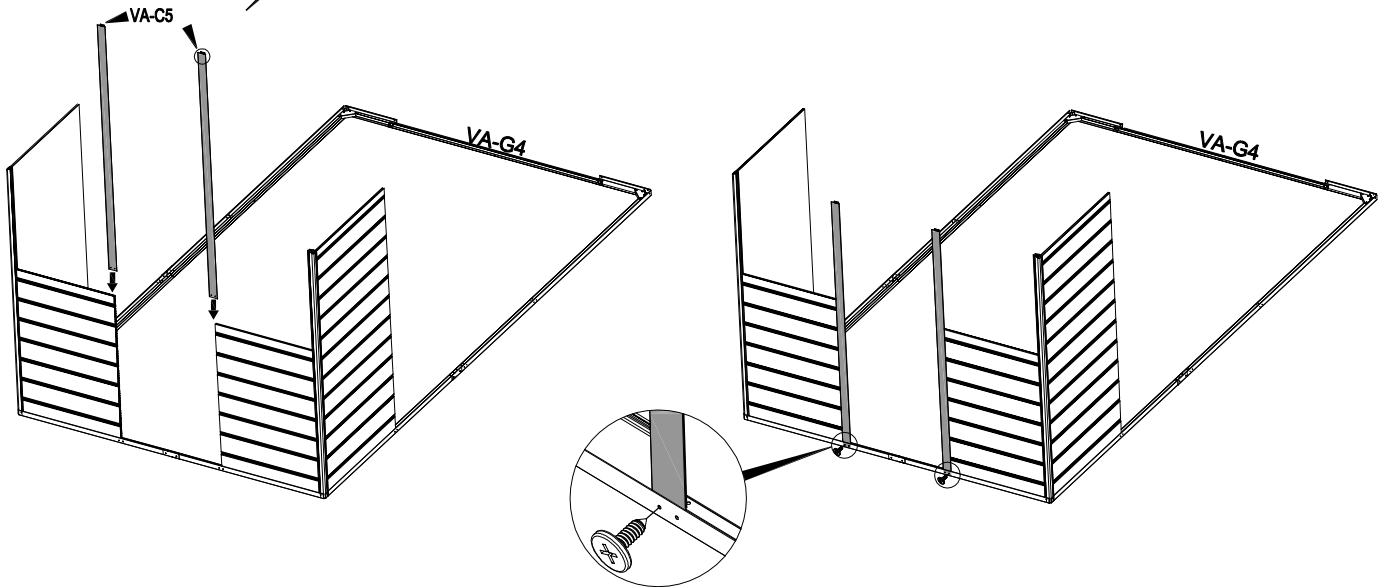
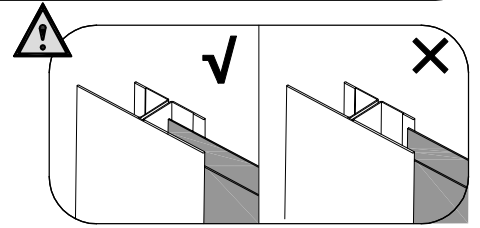
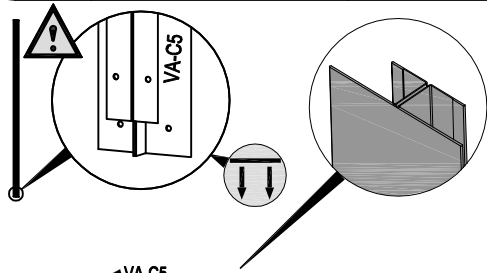
<b>6</b>	 PC4 [x1] 743x1100mm	 VA-J45 [x9] 19mm	 CN-A33	
----------	---	--	---	---


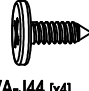
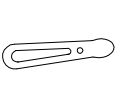
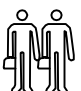


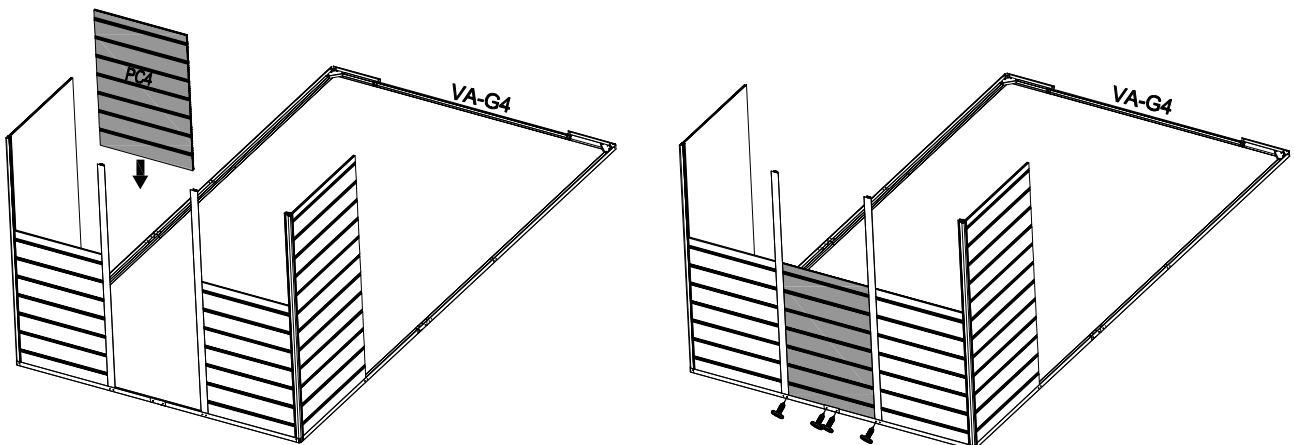
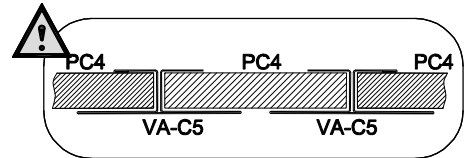
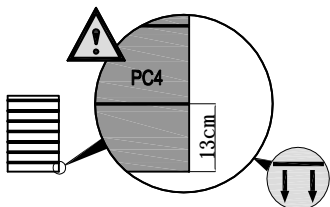
<b>7</b>	 VA-C7L [x1] 1860mm	 PB1 [x1] 876x1840mm	 PC4 [x1] 743x1100mm	 VA-J45 [x9] 19mm	 CN-A33	
----------	--	---	---	--	---	---



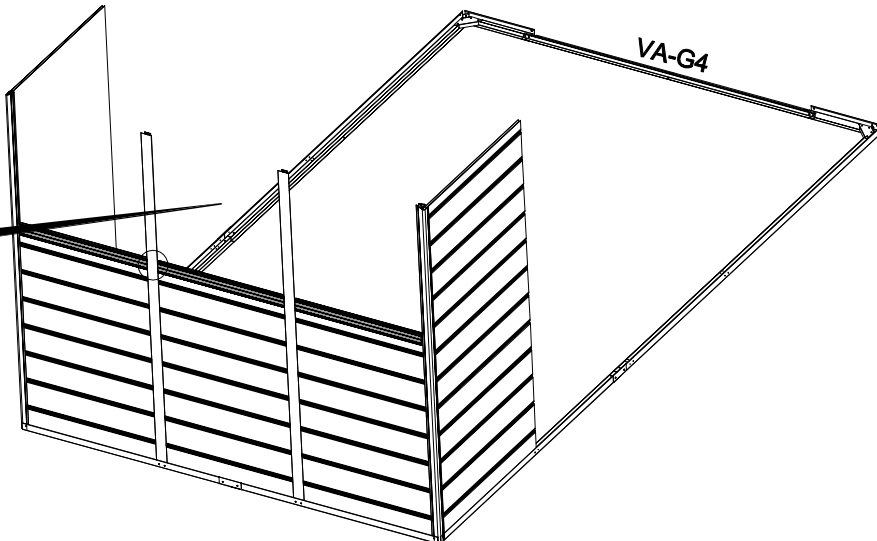
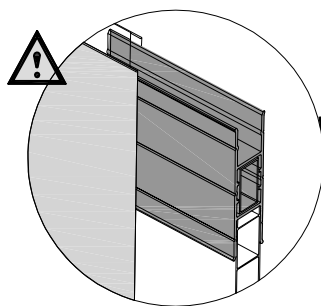
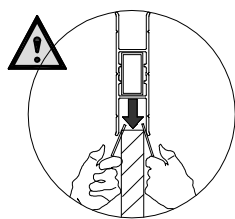
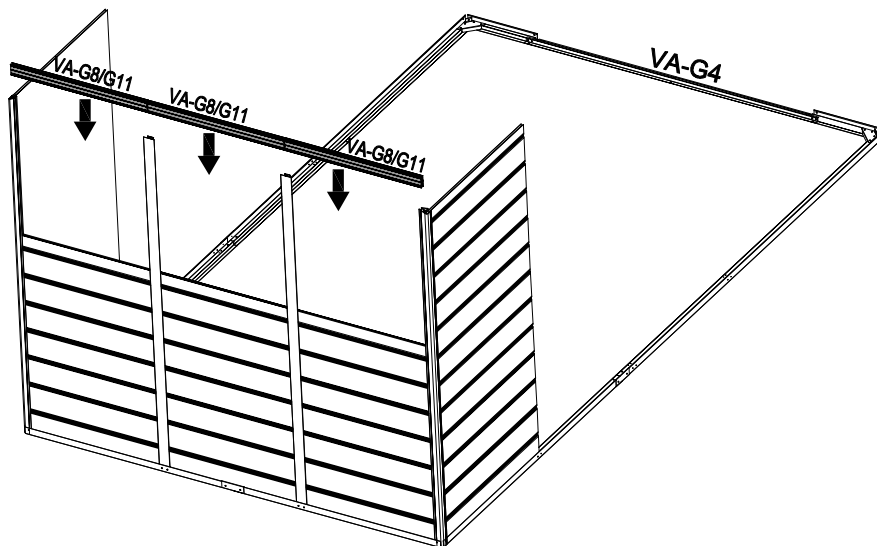
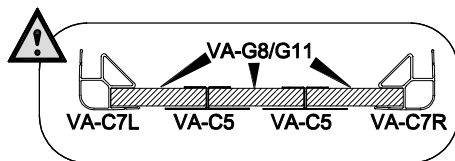
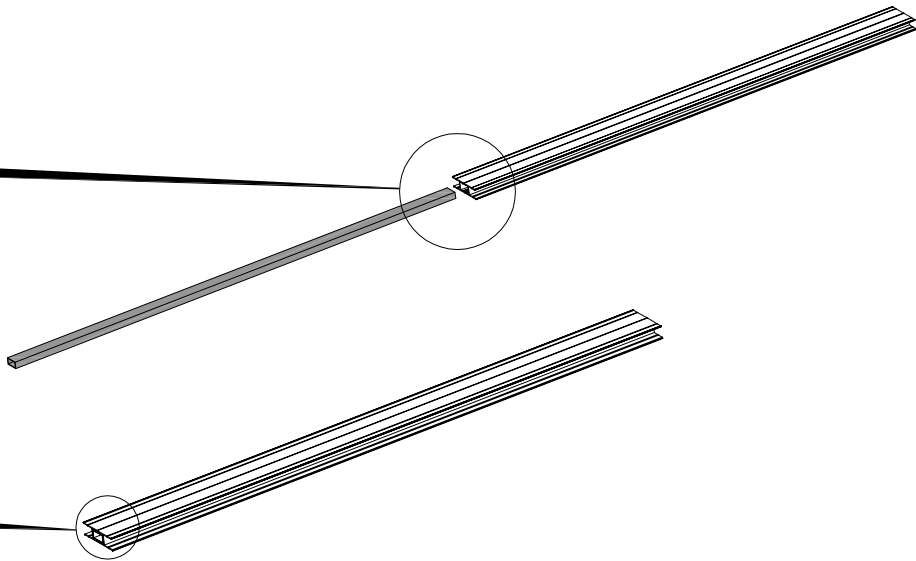
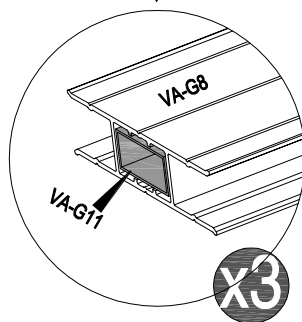
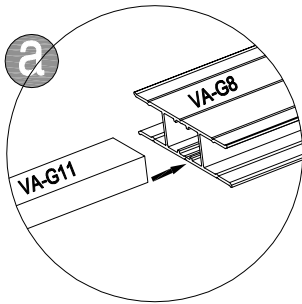
<b>8</b>	 VA-C5 [x2] 1840mm	 VA-J44 [x2] 13mm	 CN-A33	
----------	---	--	---	--

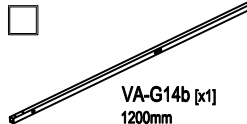
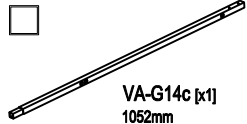
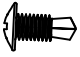


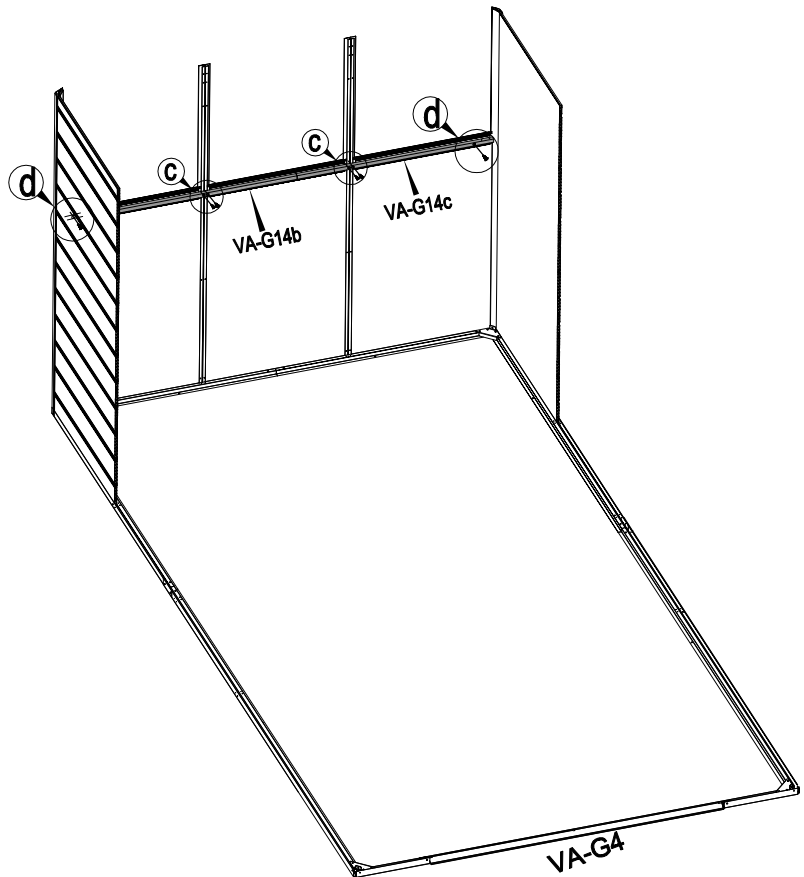
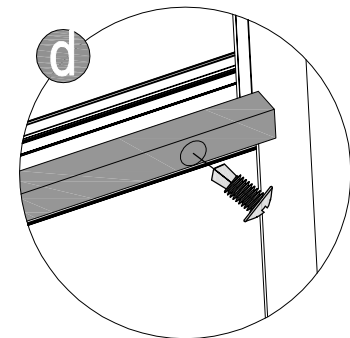
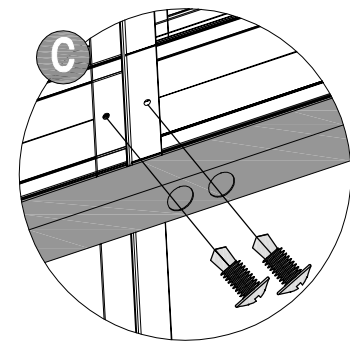
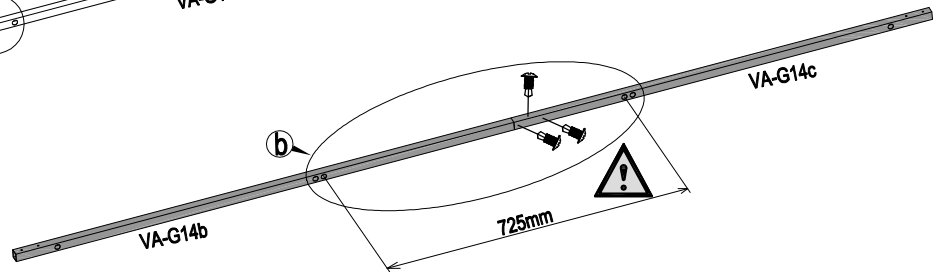
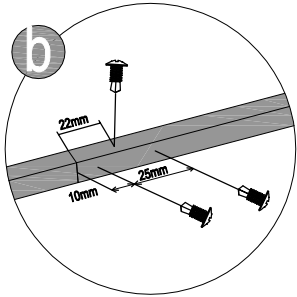
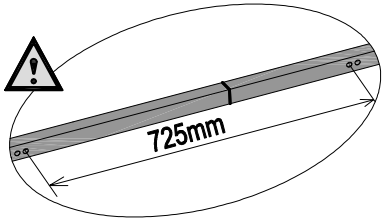
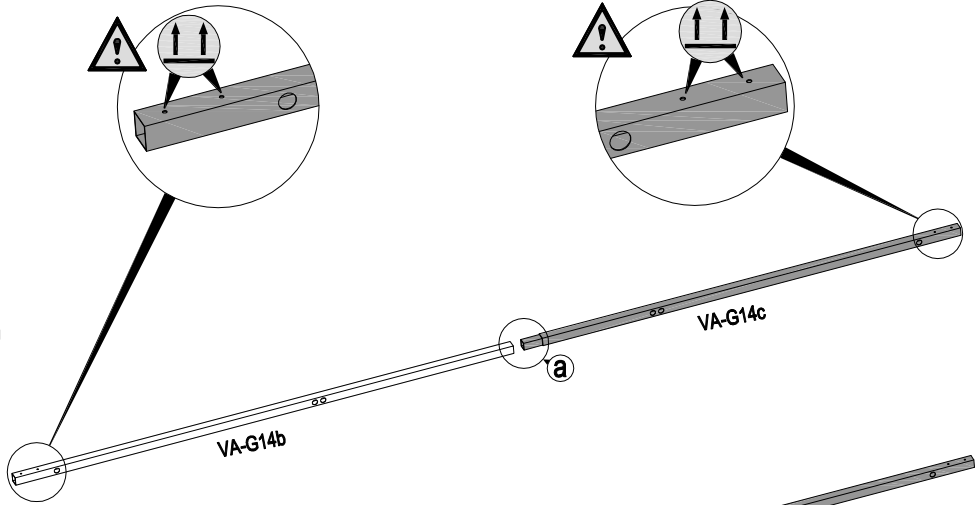
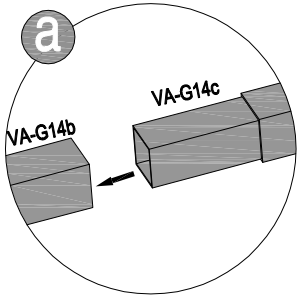
<b>9</b>	 PC4 [x1] 743x1100mm	 VA-J44 [x4] 13mm	 CN-A33	
----------	---	--	---	---





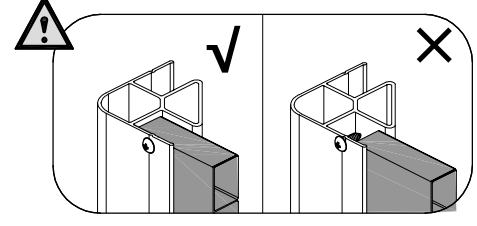
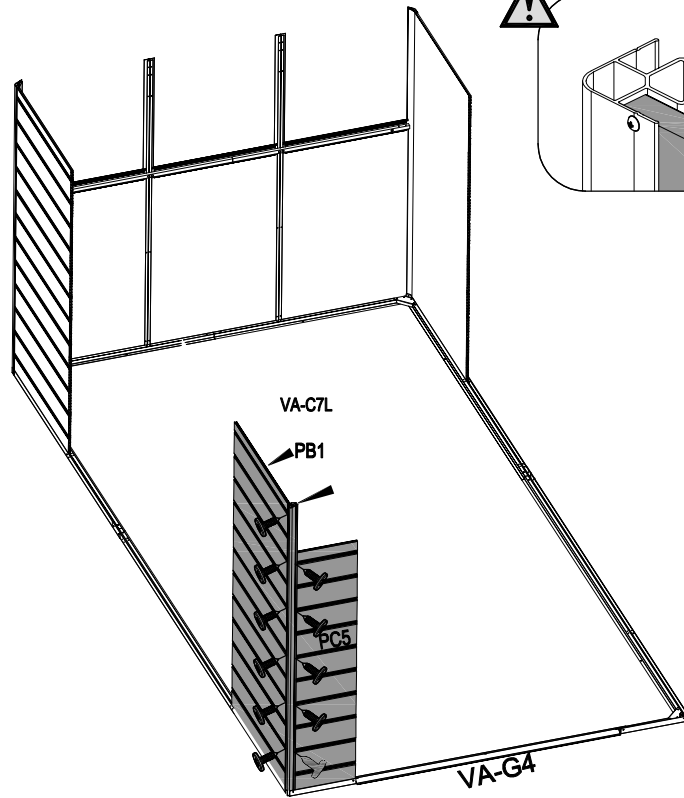
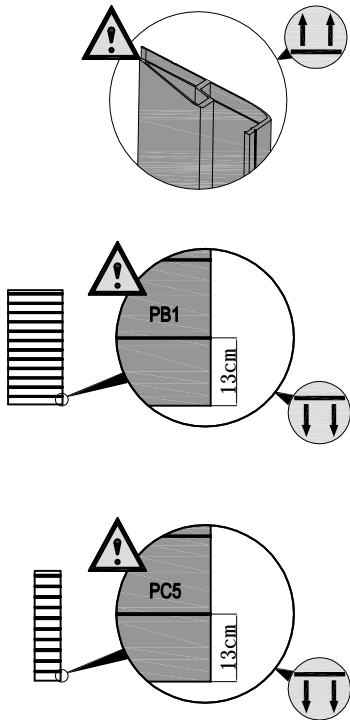
<b>10</b>	 VA-G8 [x3] 562mm	 VA-G11 [x3] 562mm		
-----------	--	---	--	--







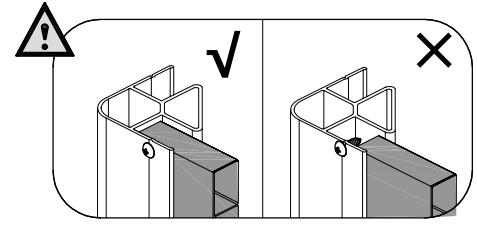
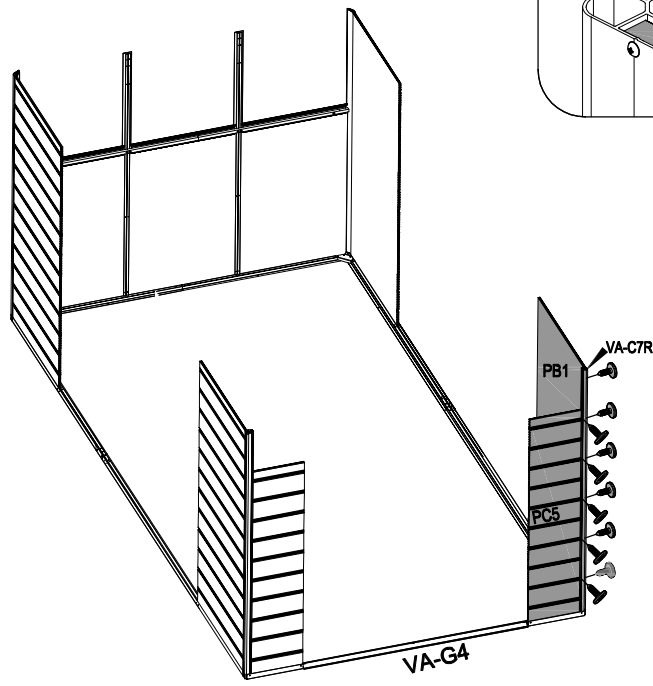
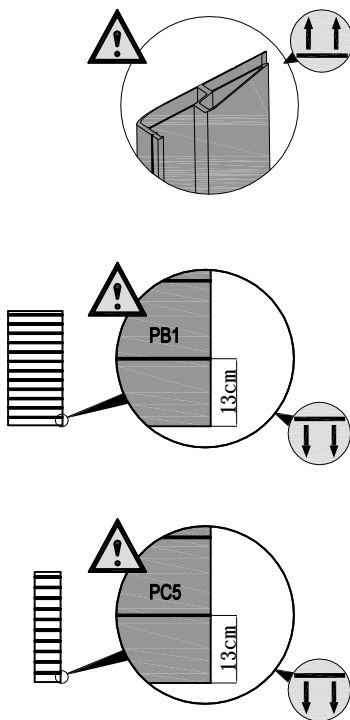
11	 VA-G14b [x1] 1200mm	 VA-G14c [x1] 1052mm	 VA-J46 [x9] 13mm			
----	---	---	--	--	--	--



12		VA-C7L [x1] 1860mm	PB1 [x1] 876x1840mm	PC5 [x1] 365x1548mm	VAJ45 [x11] 19mm	CN-A33	
							



13		VA-C7R [x1] 1860mm	PB1 [x1] 876x1840mm	PC5 [x1] 365x1548mm	VA-J45 [x11] 19mm	CN-A33	
							



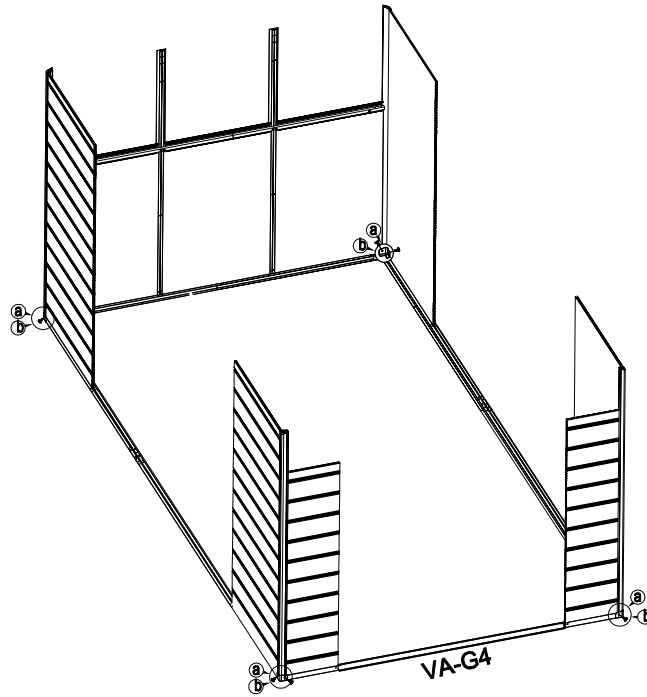
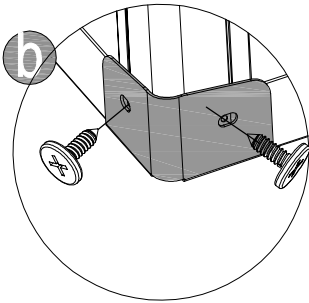
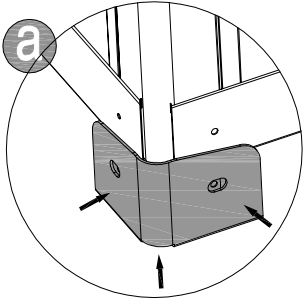
14



VA-31 [x4]



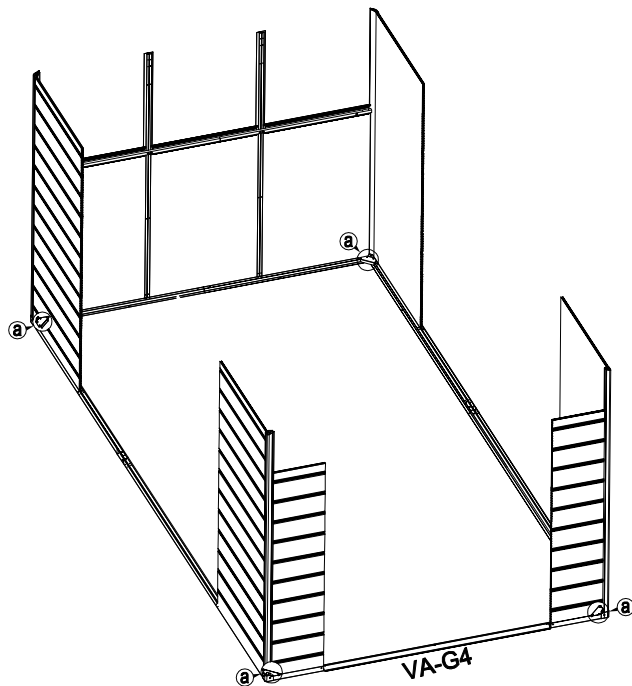
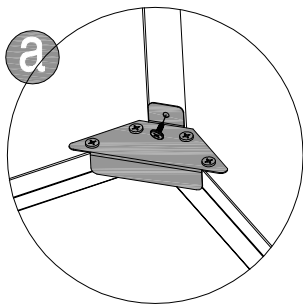
VA-J44 [x8]  
13mm



15



VA-J44 [x4]  
13mm

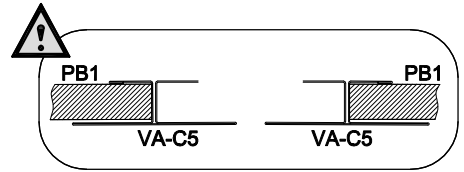
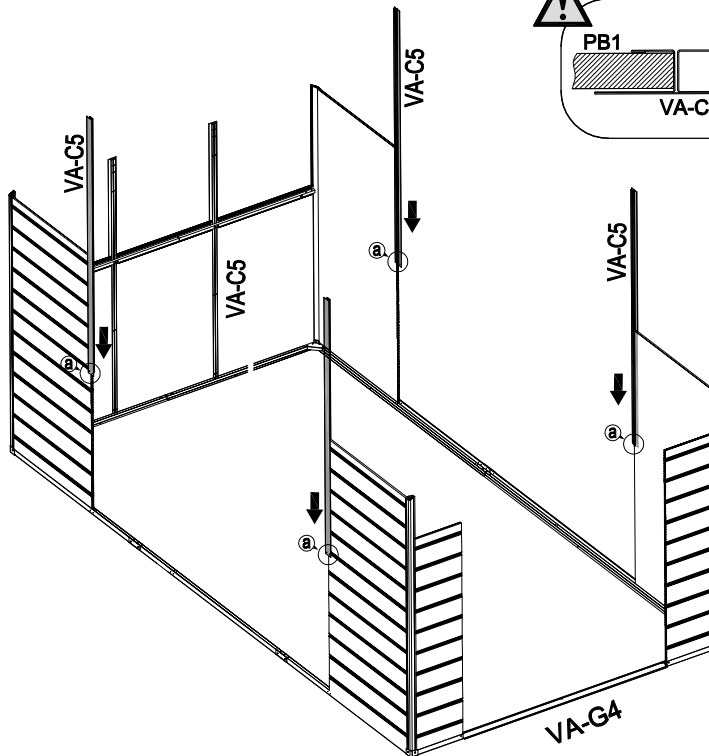
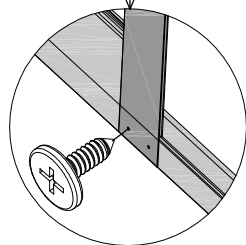
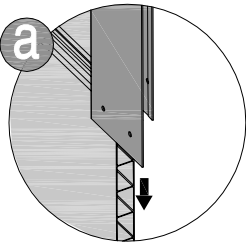
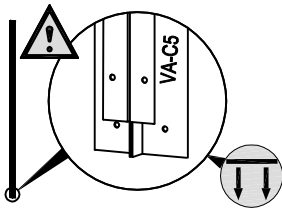


16

VA-C5 [x4]  
1840mm

VA-J44 [x4]  
13mm

CN-A33



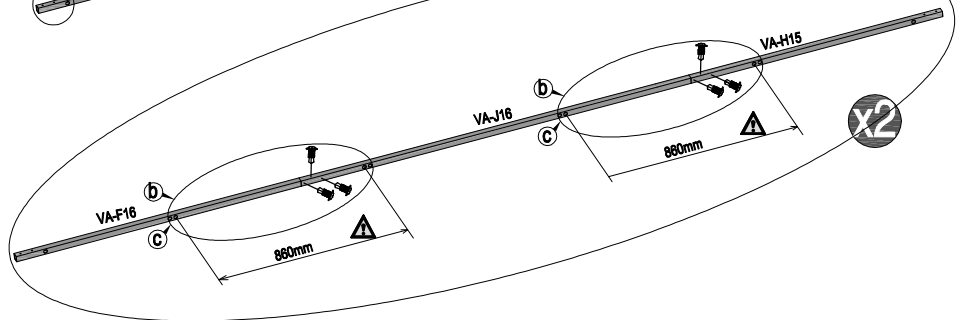
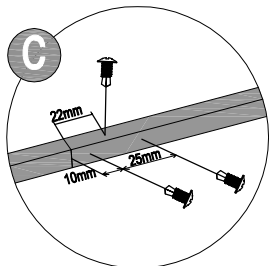
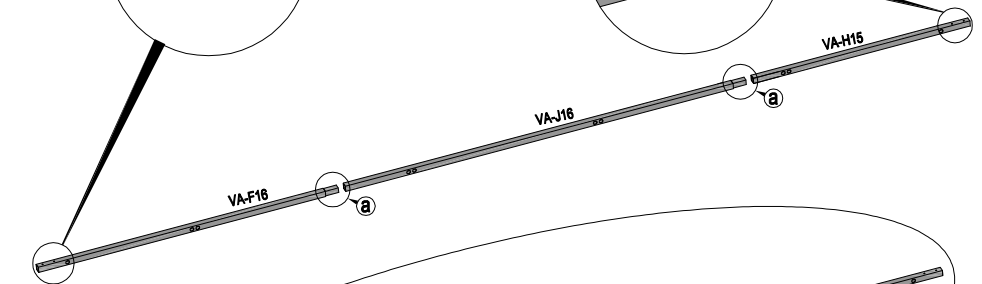
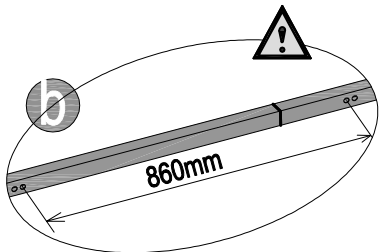
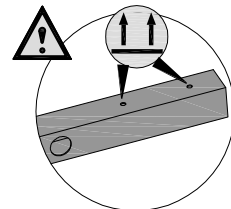
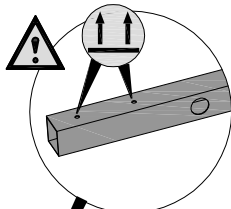
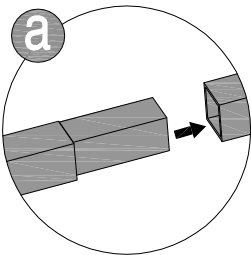
17

VA-F16 [x2]  
1678mm

VA-H15 [x2]  
970mm

VA-J16 [x2]  
1805mm

VA-J46 [x12]  
13mm



18



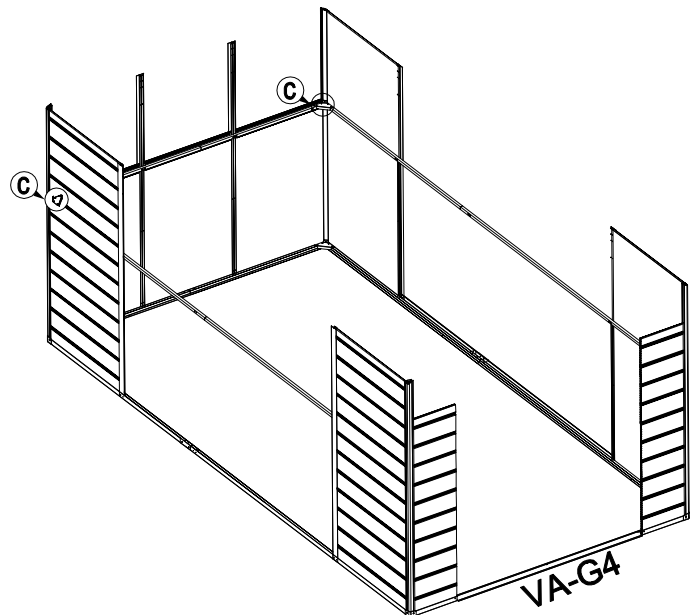
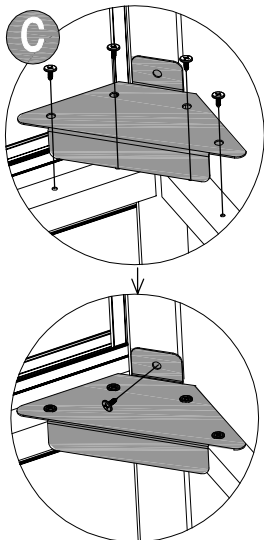
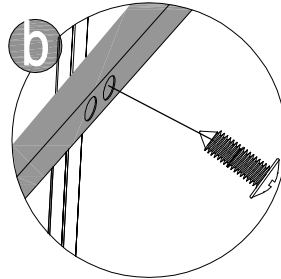
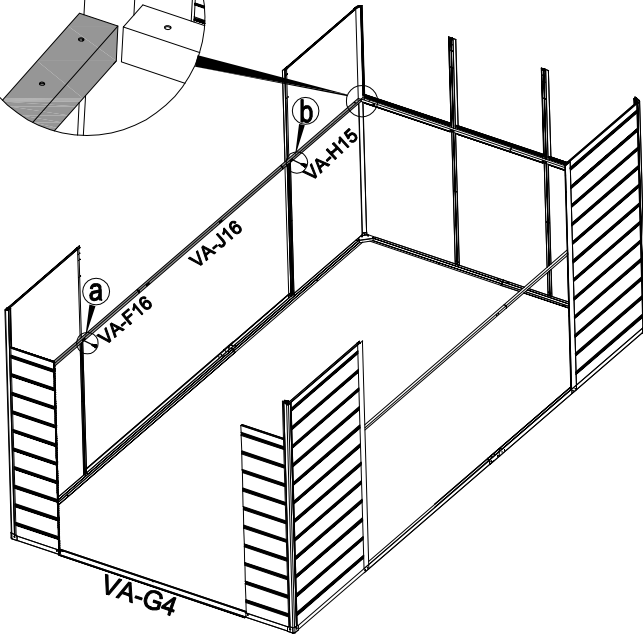
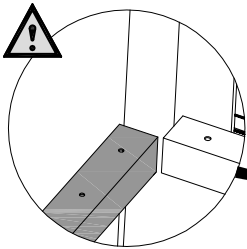
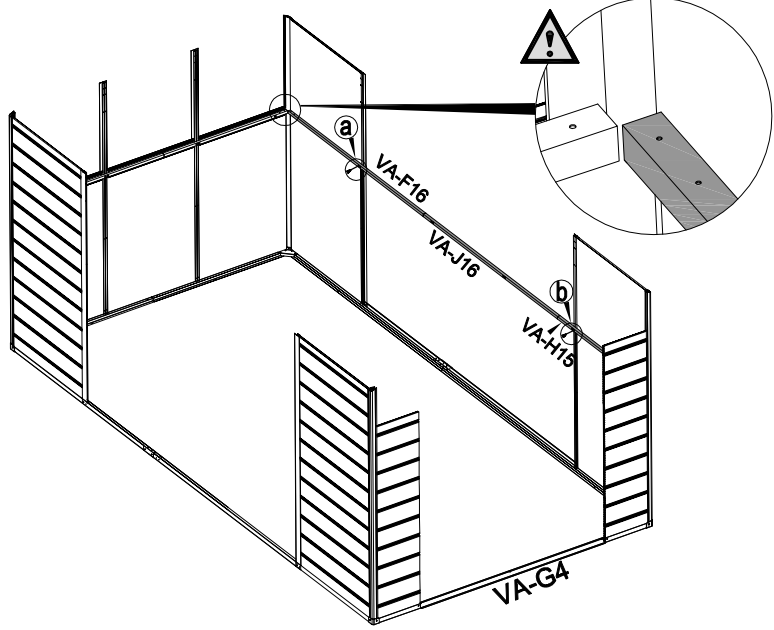
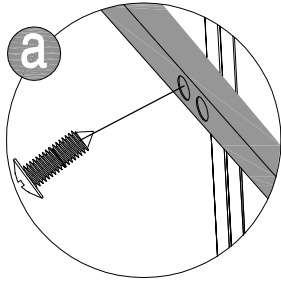
VA-30 [x2]



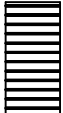
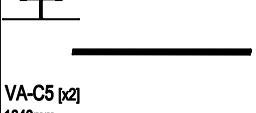


VA-J44 [x10]  
13mm

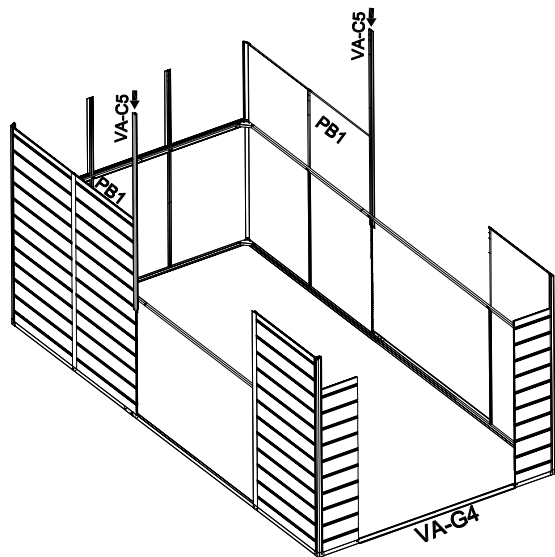
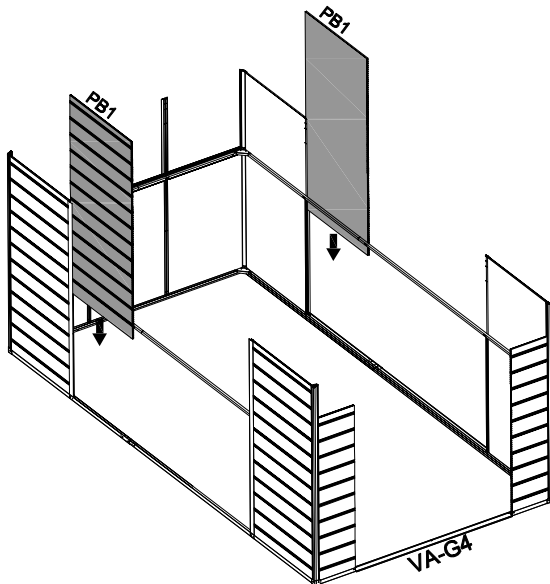
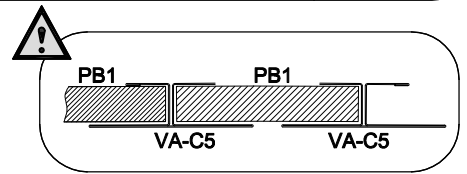
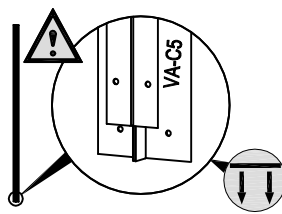
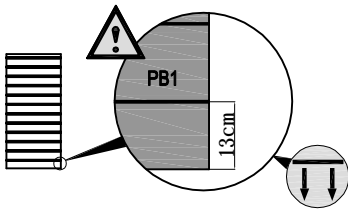


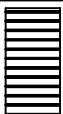
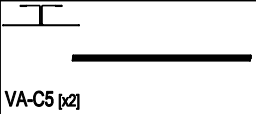


VA-J49 [x4]  
13mm

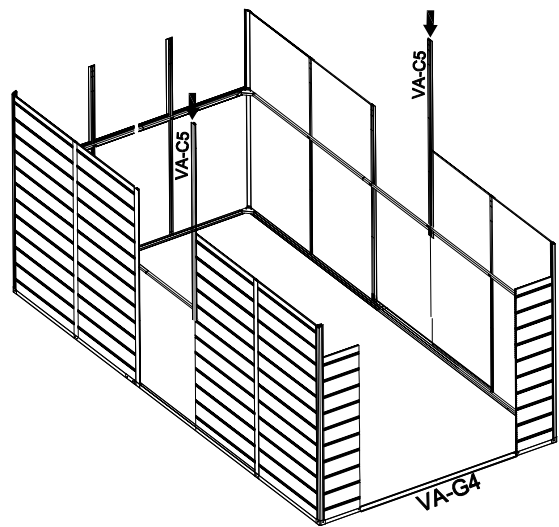
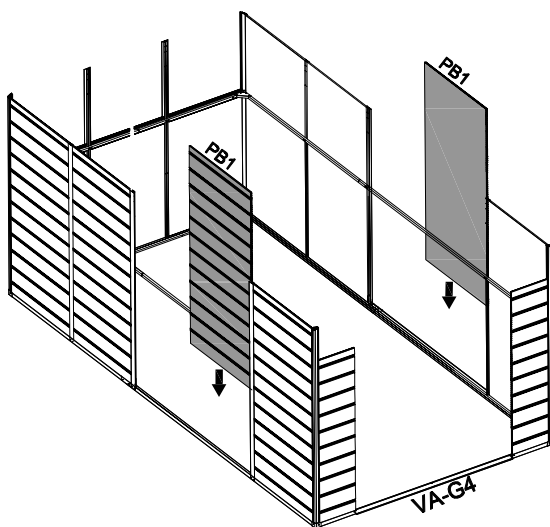
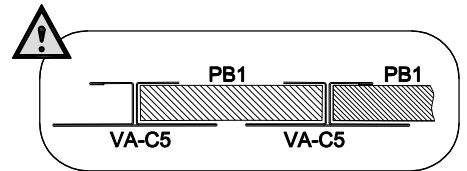
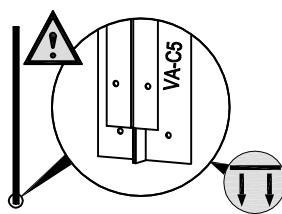
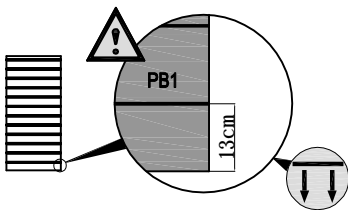


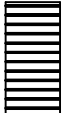





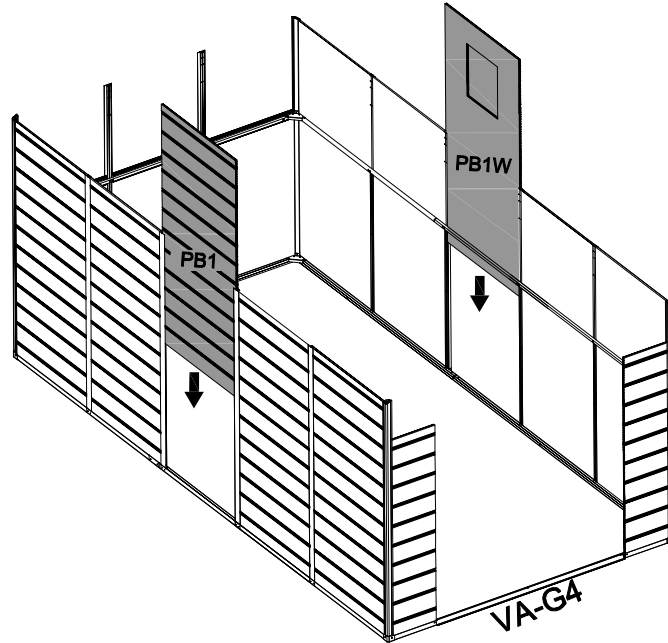
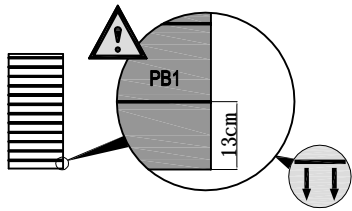
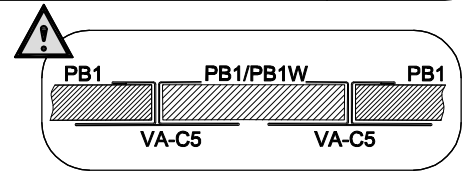
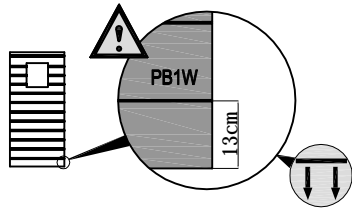
<b>19</b>	<b>PB1 [x2]</b> 876x1840mm		<b>VA-C5 [x2]</b> 1840mm		 <b>CN-A33</b>	
-----------	-------------------------------	---	-----------------------------	---	--	---





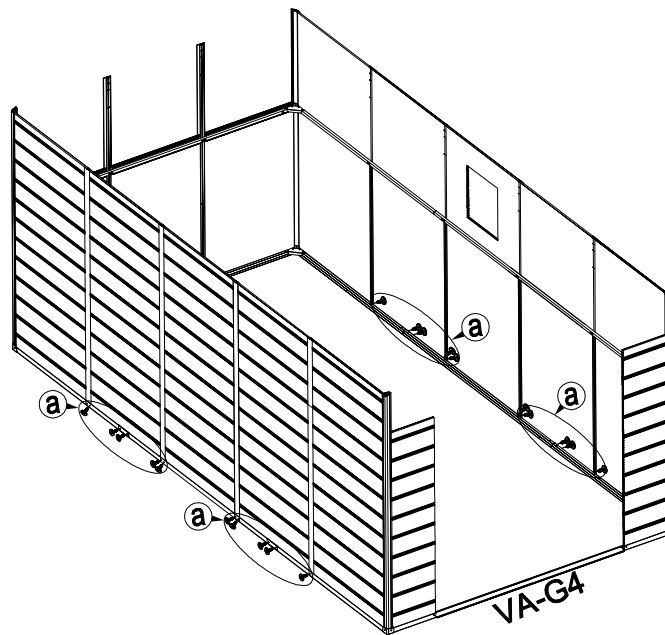
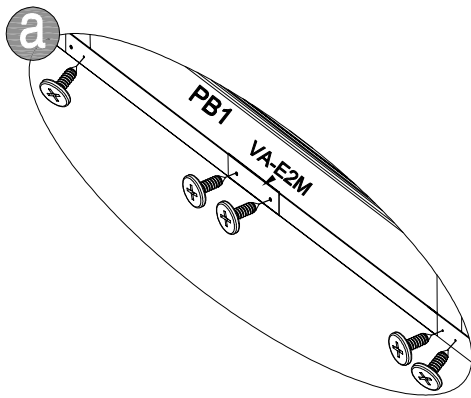
<b>20</b>	<b>PB1 [x2]</b> 876x1840mm		<b>VA-C5 [x2]</b> 1840mm		 <b>CN-A33</b>	
-----------	-------------------------------	---	-----------------------------	---	--	---



21	 <p>PB1 [x1] 876x1840mm</p>	 <p>PB1W [x1] 876x1840mm</p>	 <p>CN-A33</p>	
----	--	---	---	---



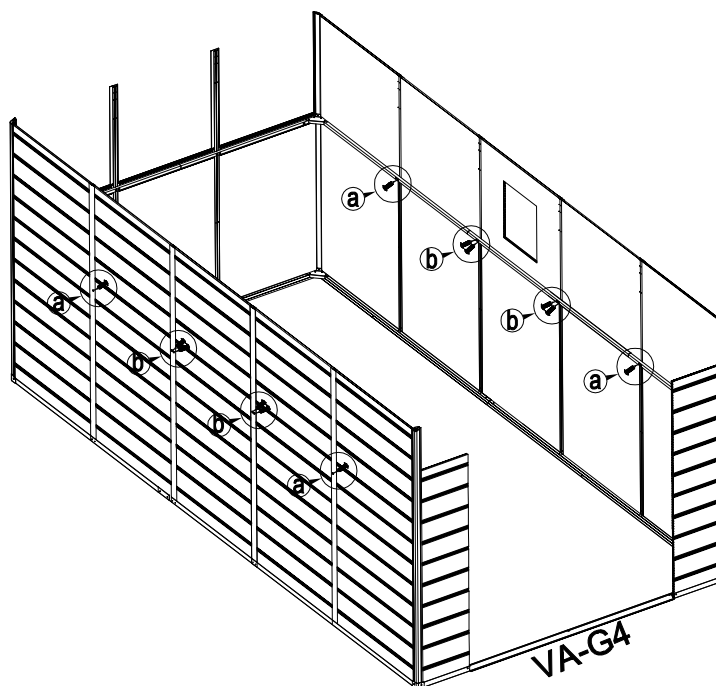
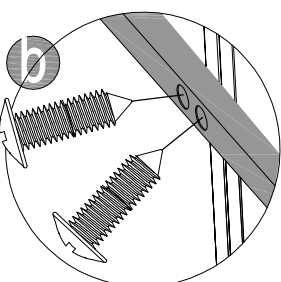
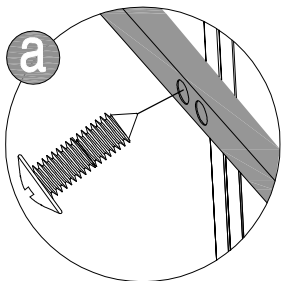
22	 <p>VA-J44 [x20] 13mm</p>		
----	--	--	---



23



VA-J49 [x12]  
13mm



24

PC3L [x1]  
743x1072mm



PC3R [x1]  
743x1072mm



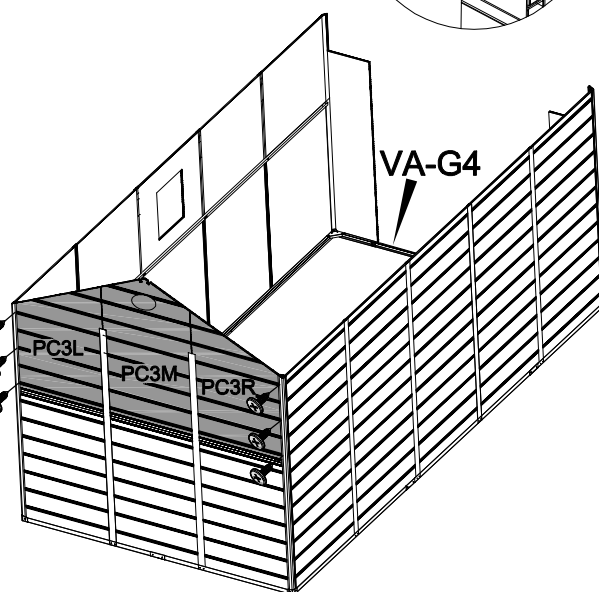
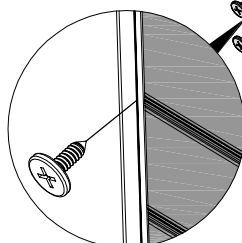
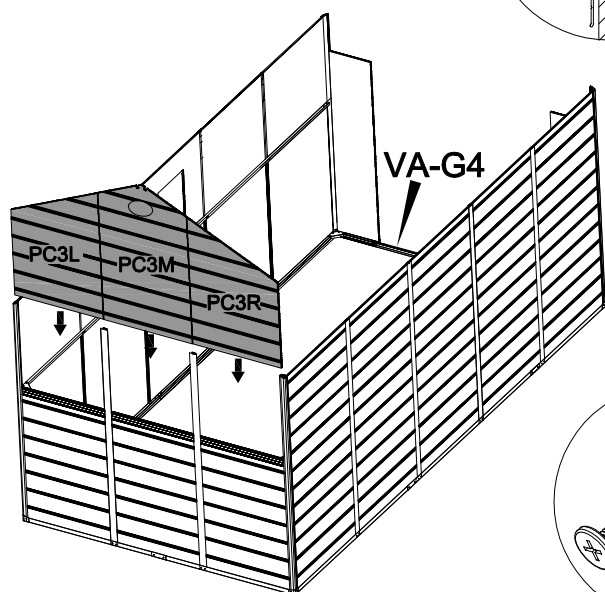
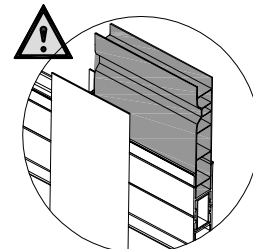
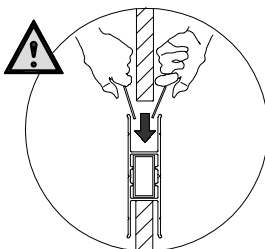
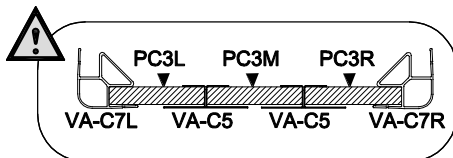
PC3M [x1]  
743x1248mm






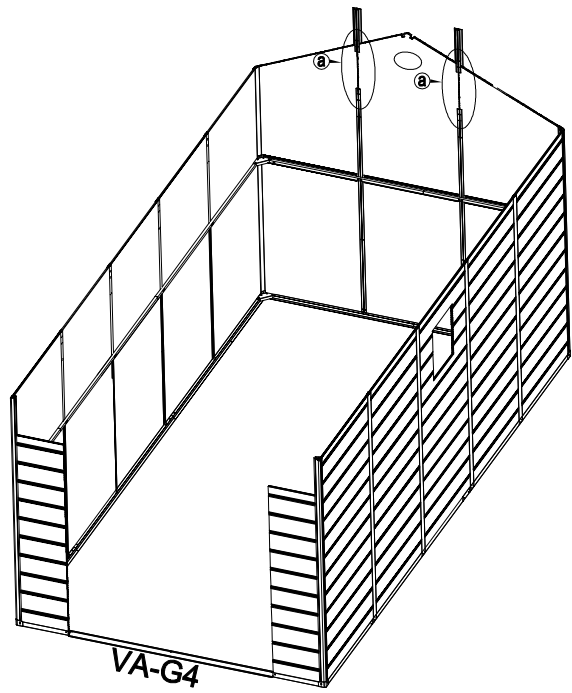
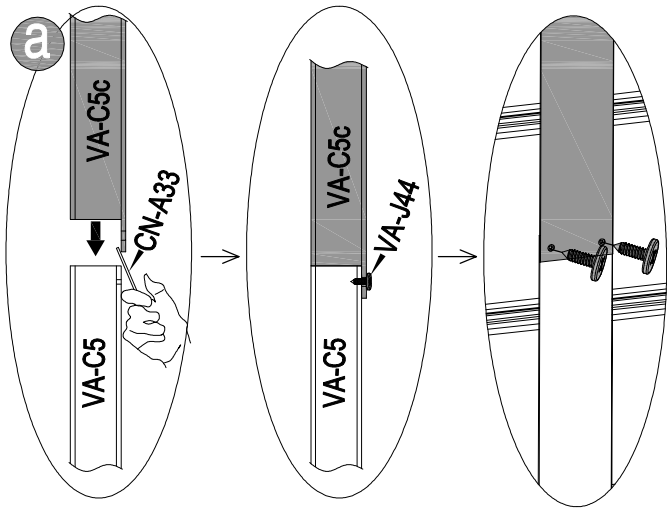
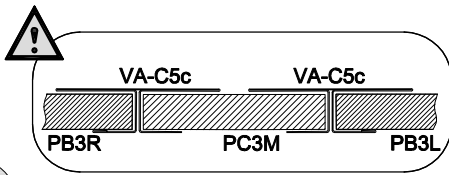
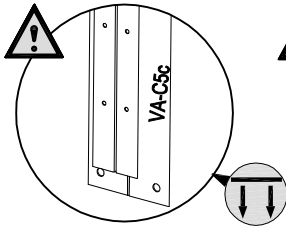
VA-J45 [x6]  
19mm





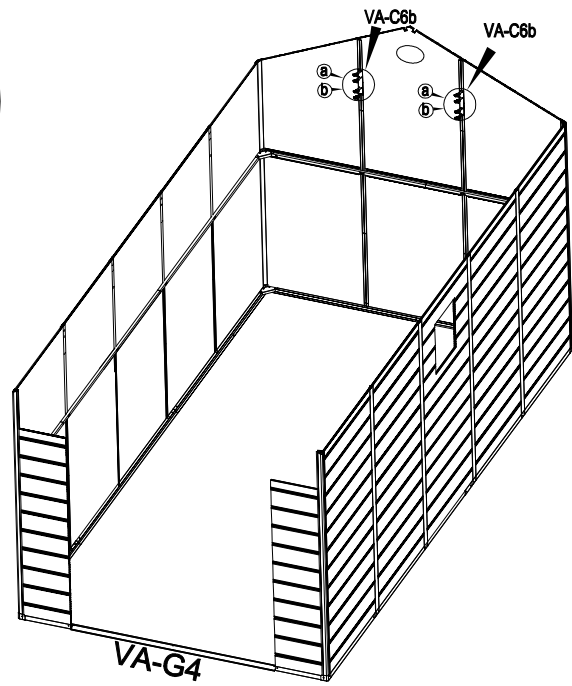
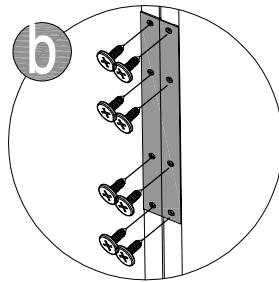
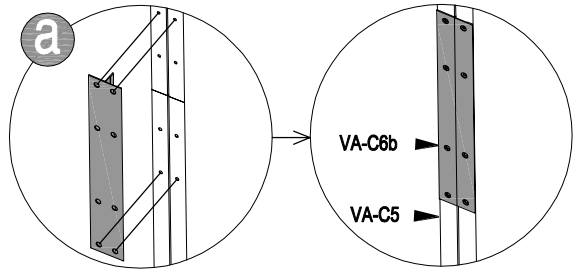
CN-A33




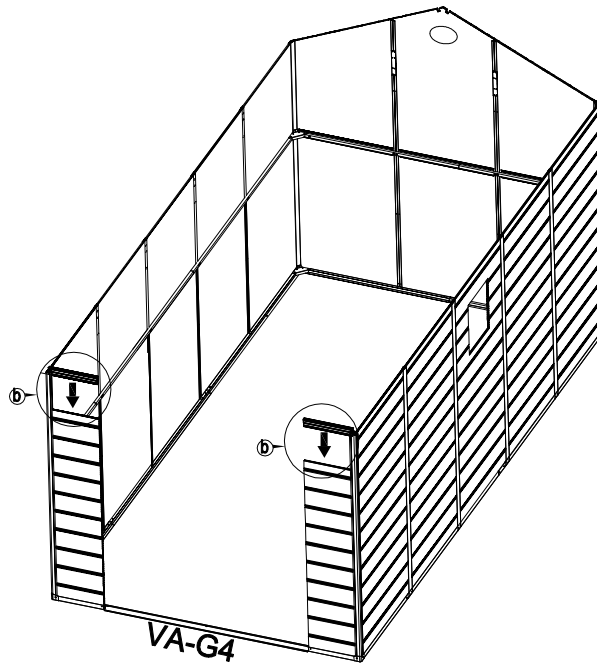
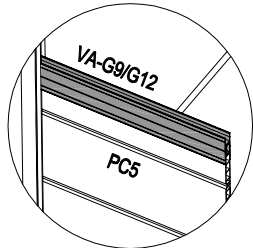
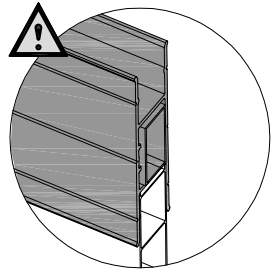
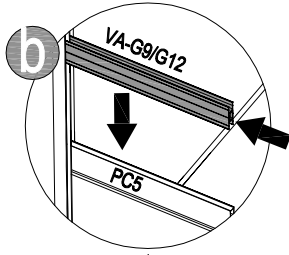
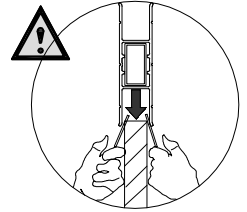
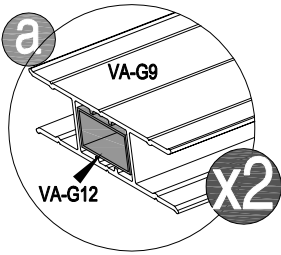
<b>25</b>	 VA-C5c [x2] 365mm	 VA-J44 [x4] 13mm	 CN-A33
-----------	---	--	---

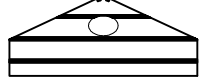
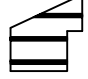






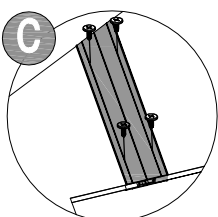
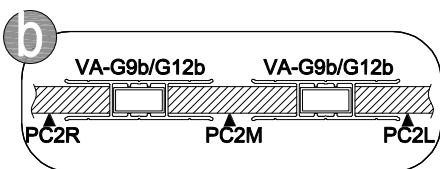
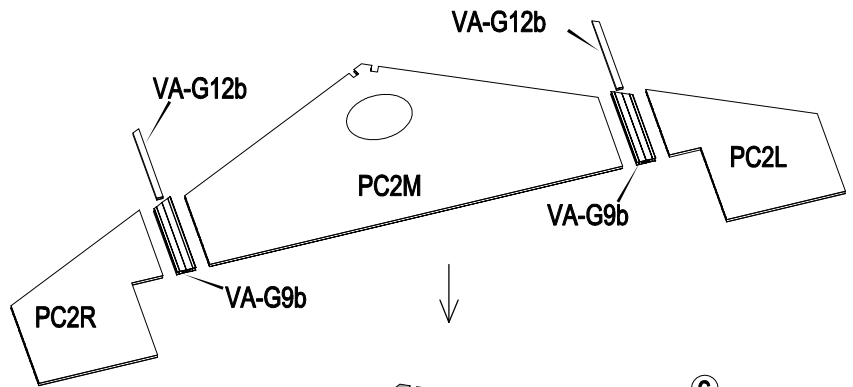
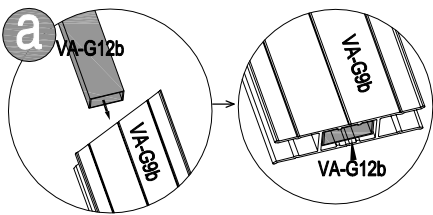
<b>26</b>	 VA-C6b [x2] 200mm	 VA-J44 [x16] 13mm	
-----------	---	---	--



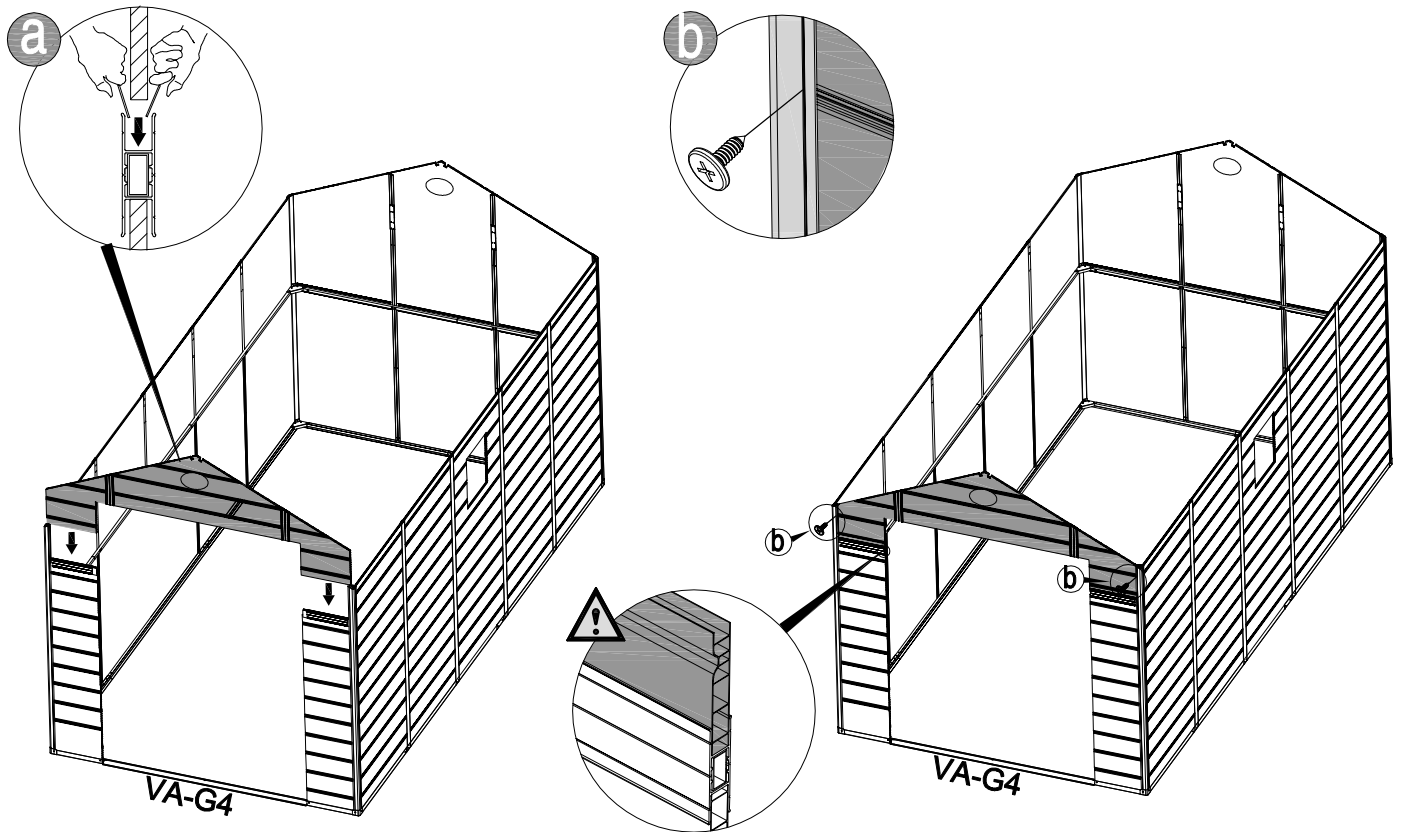
27				
	VA-G9 [x2] 360mm	VA-G12 [x2] 360mm		


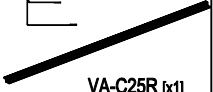



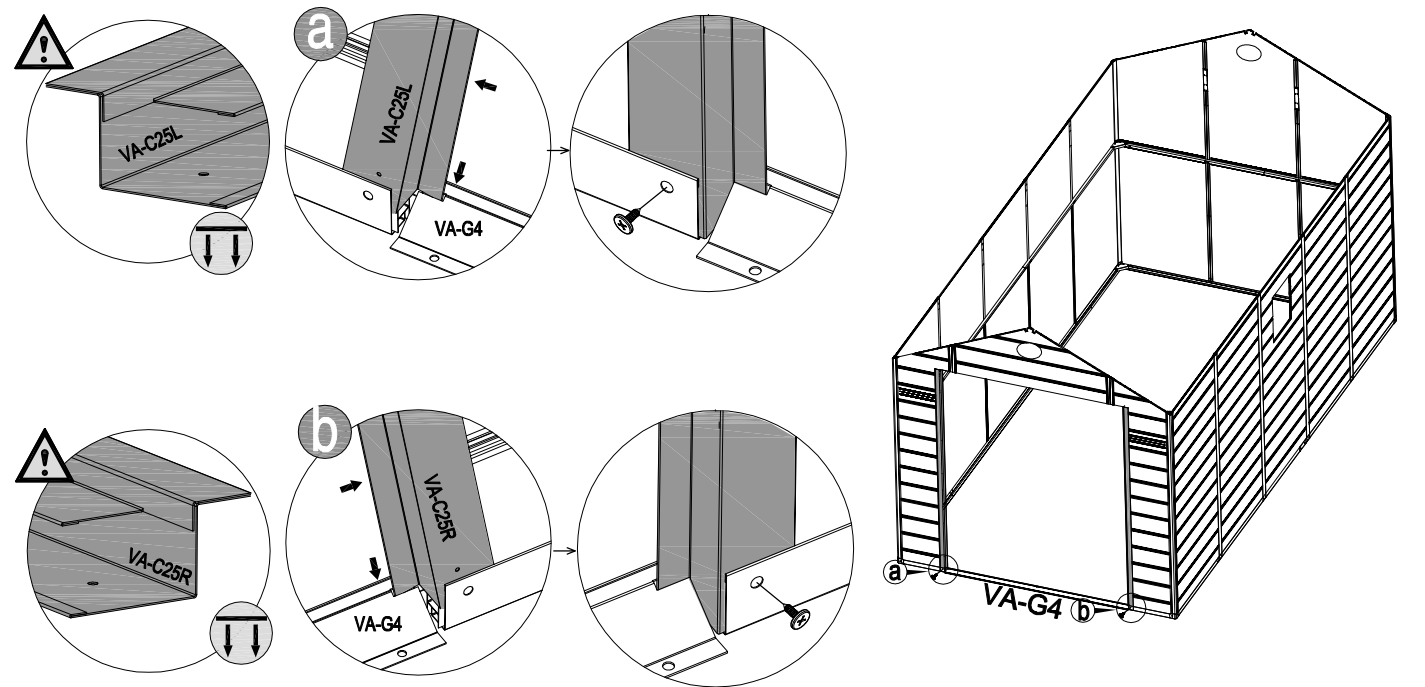
28						
	PC2M [x1] 1270x542mm	PC2L [x1] 461x492mm	PC2R [x1] 461x492mm	VA-G9b [x2] 254mm	VA-G12b [x2] 225mm	



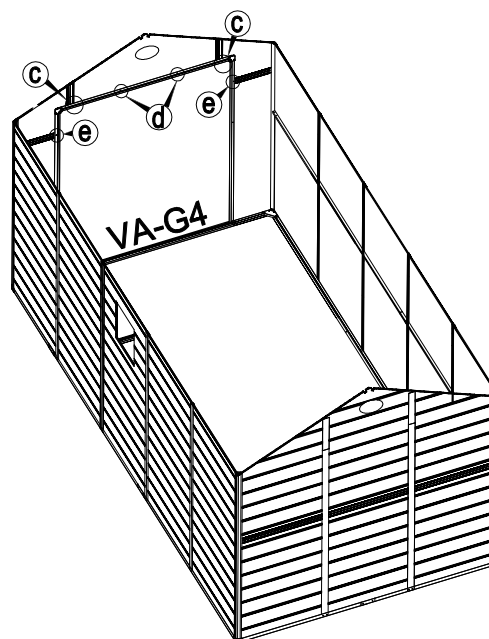
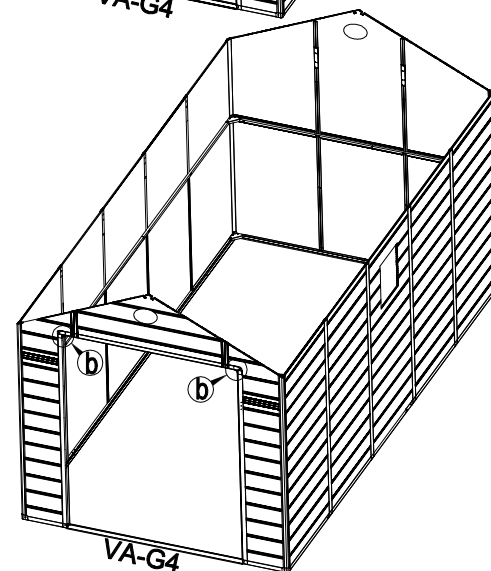
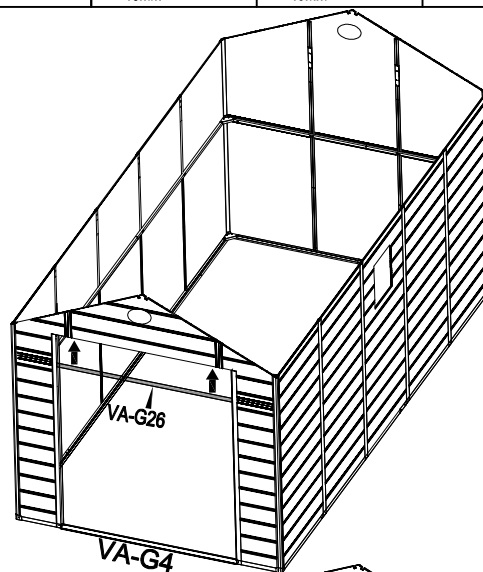
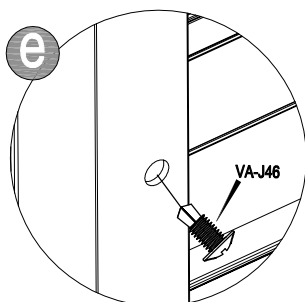
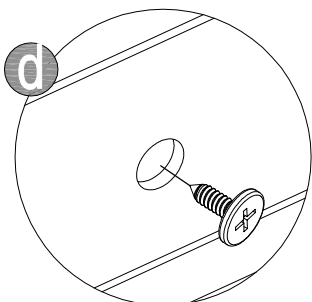
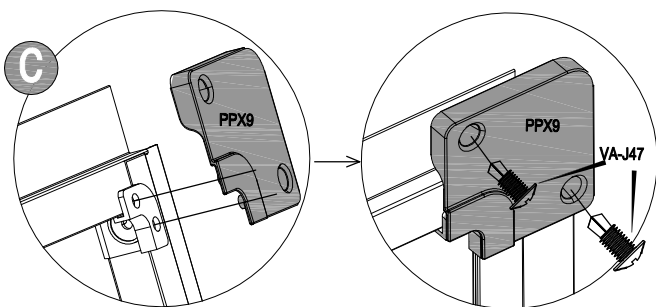
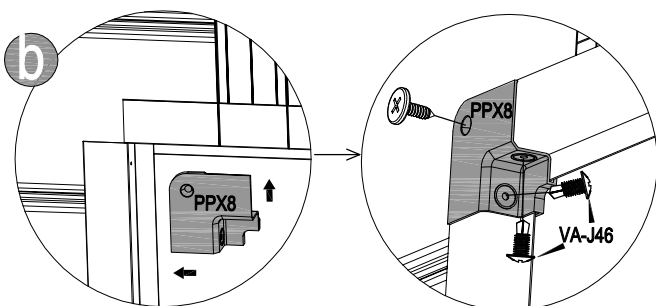
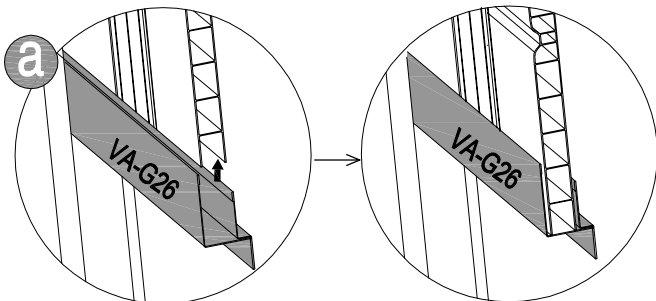
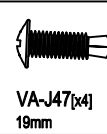
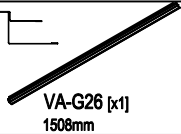
29	 VA-J45 [x2] 13mm		 CN-A33		
----	--	--	---	---	---

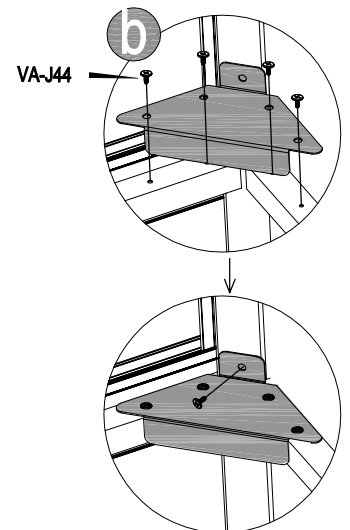
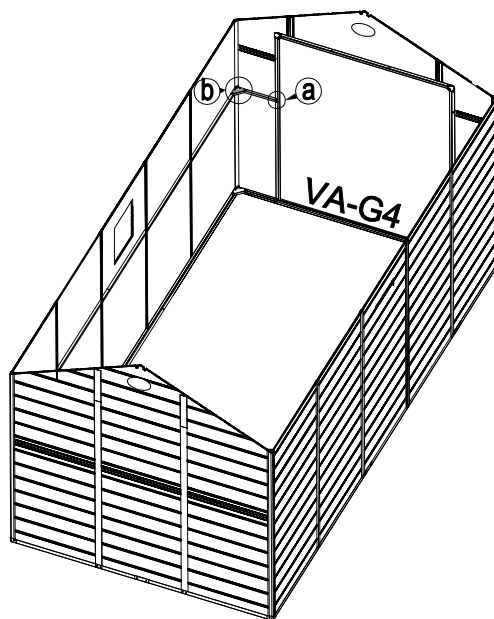
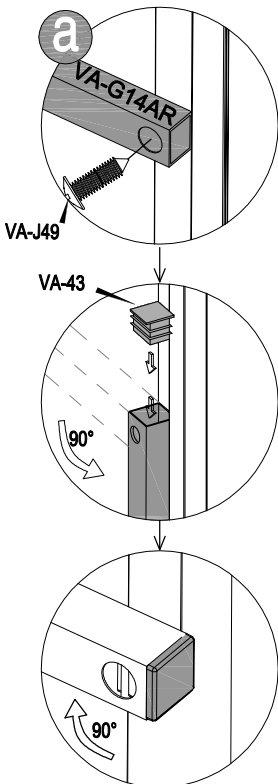
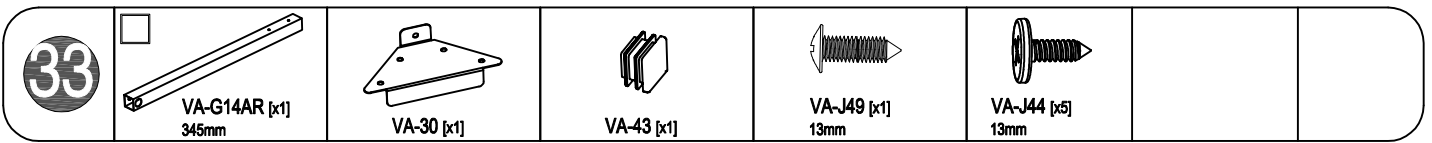
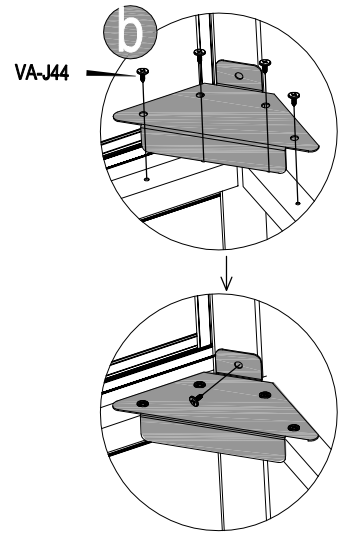
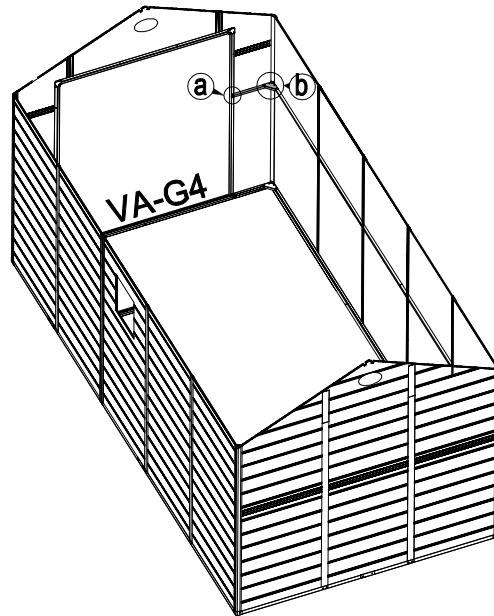
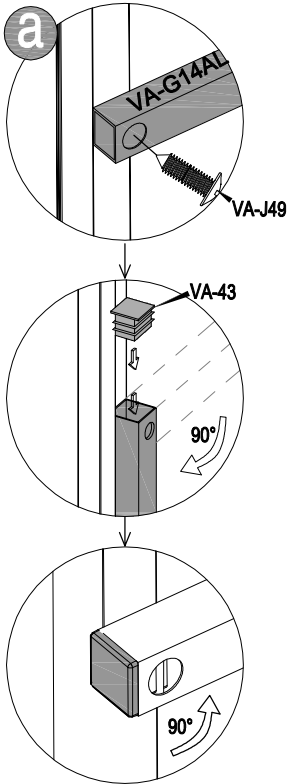
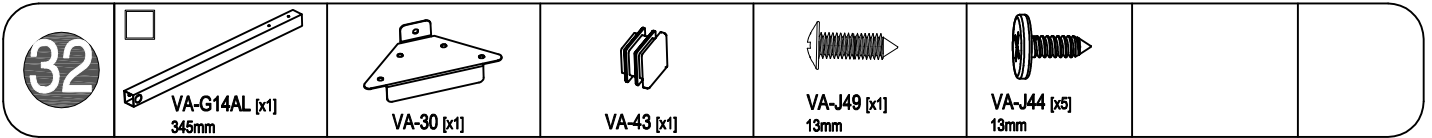


30	 VA-C25L [x1] 1830mm	 VA-C25R [x1] 1830mm	 VA-J44 [x2] 13mm	
----	---	---	--	--



31



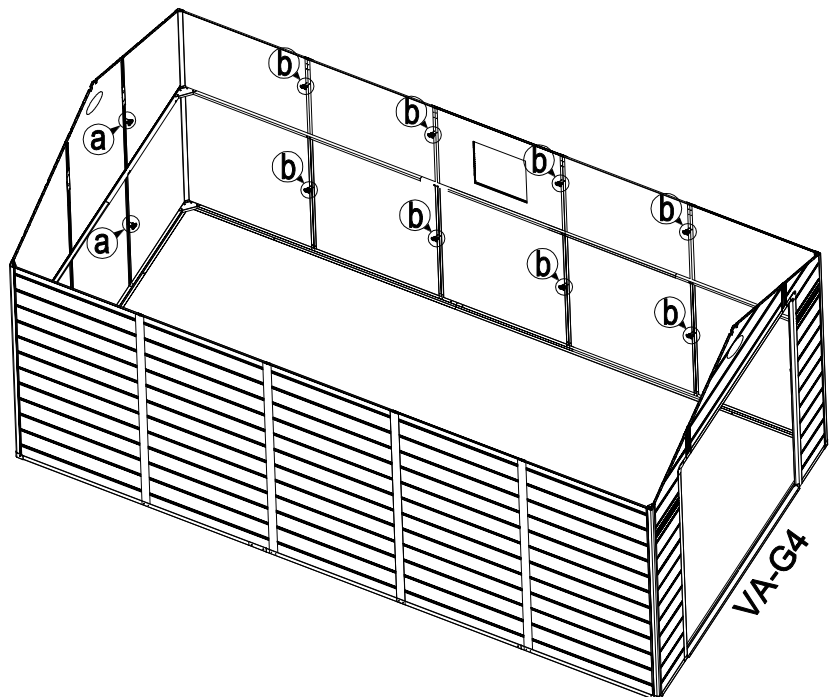
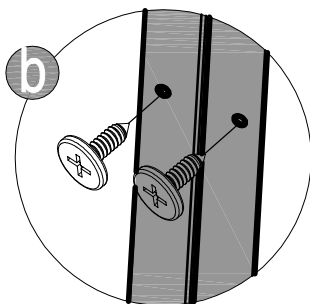
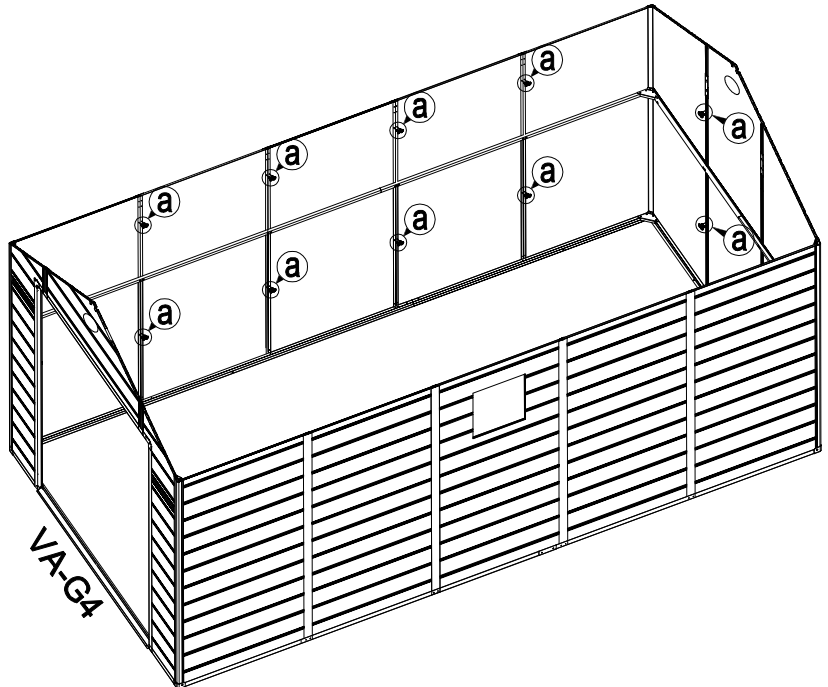
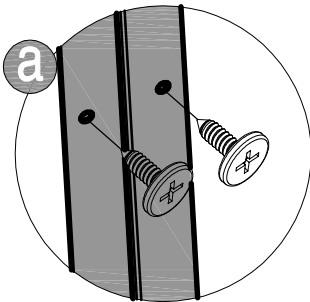


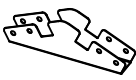






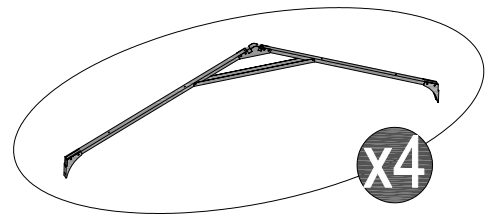
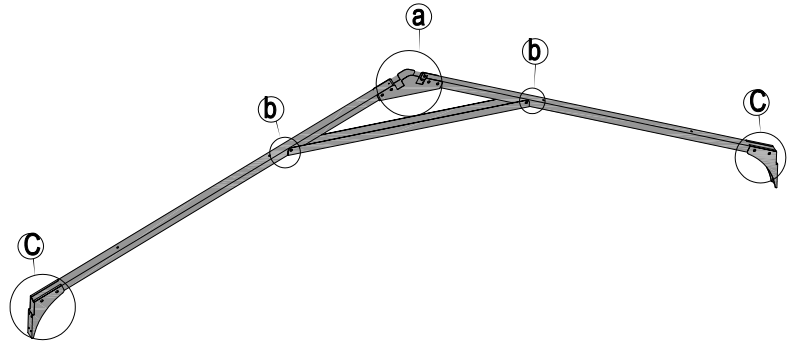
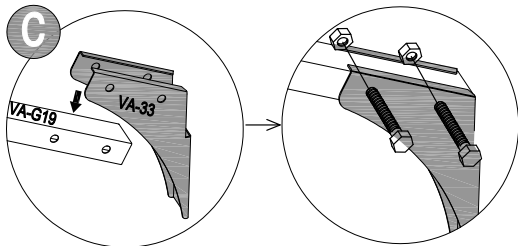
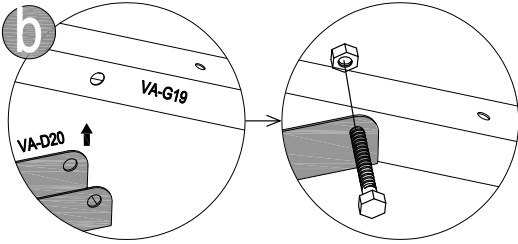
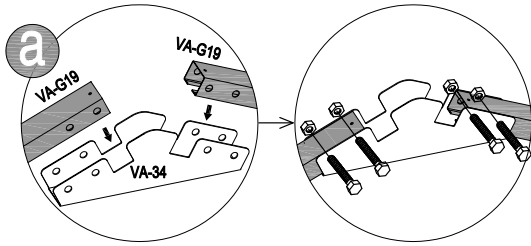
34



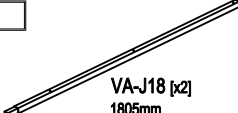
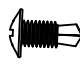


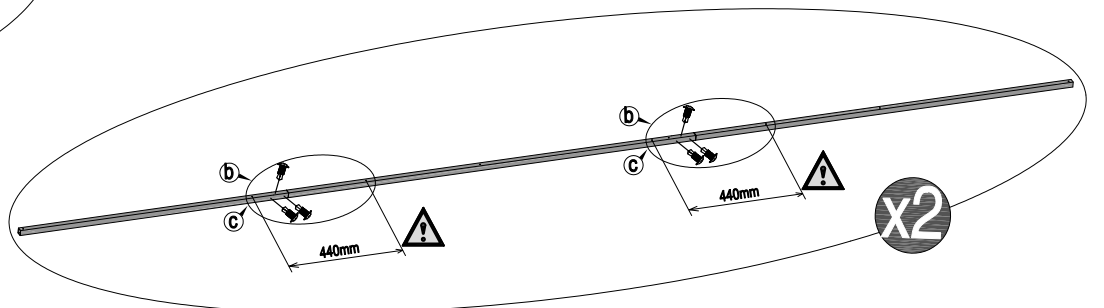
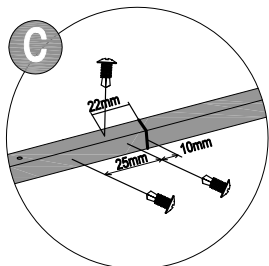
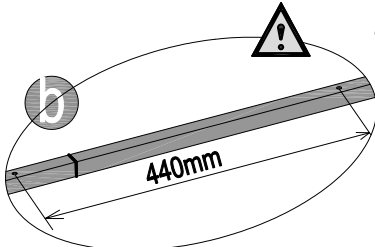
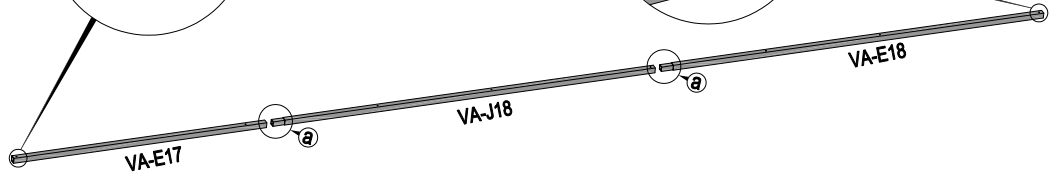
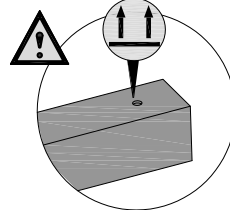
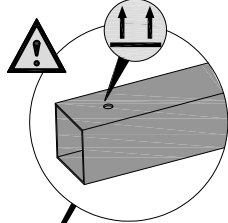
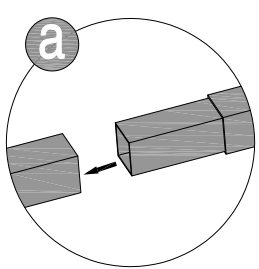
VA-J44 [x40]  
13mm



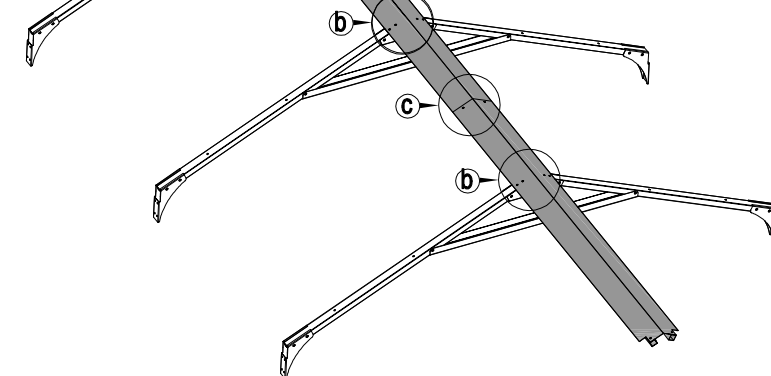
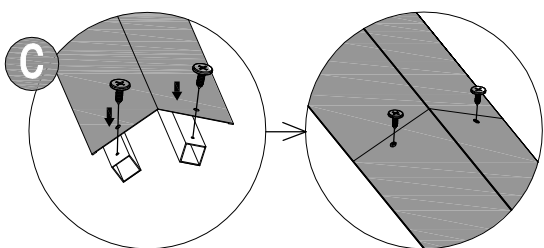
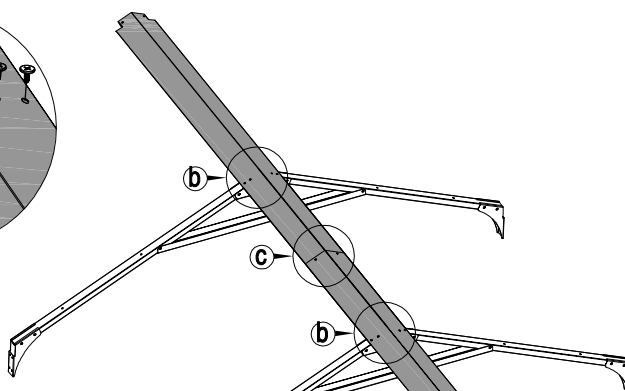
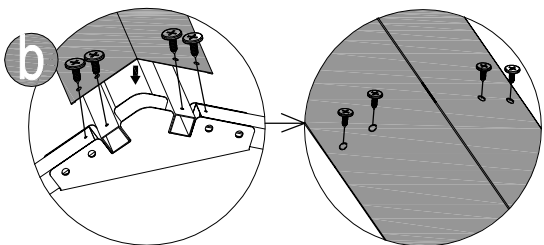
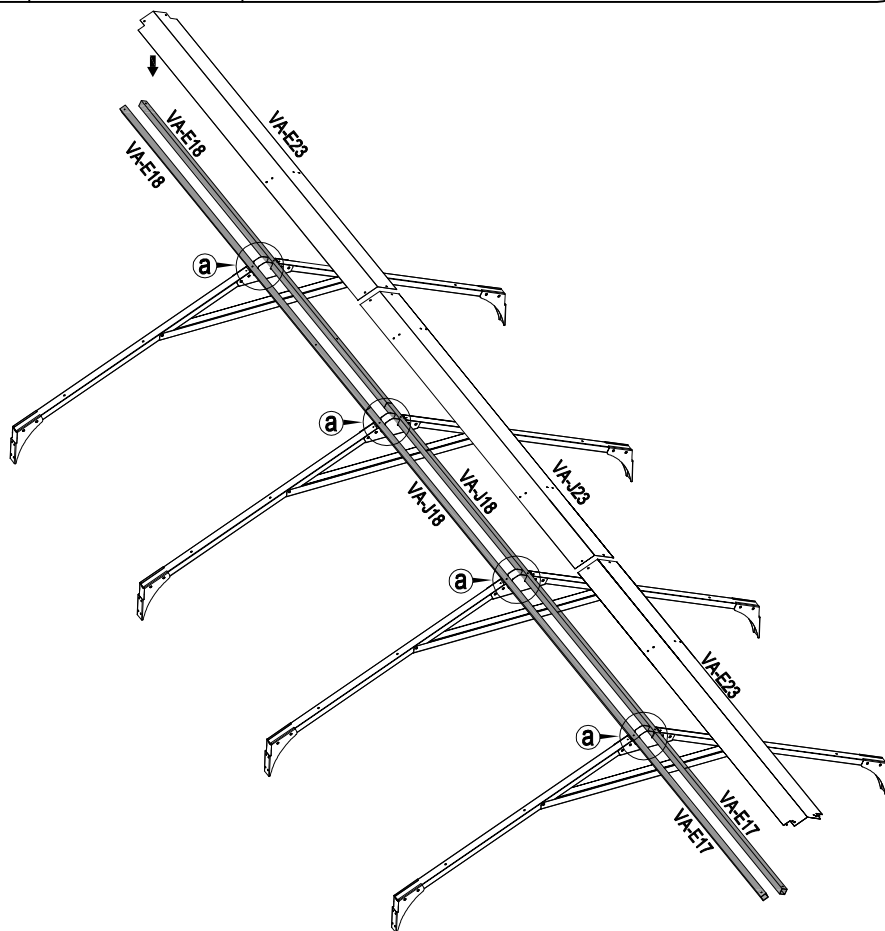
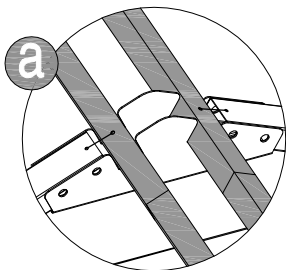
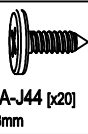
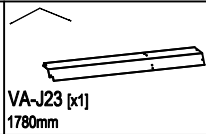
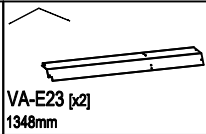
<b>35</b>	 VA-34 [x4]	 VA-33 [x8]	 VA-G19 [x8] 1181mm	 VA-D20 [x4] 725mm	 VA-J50 [x40] 40mm	
-----------	---	---	--	--	---	--



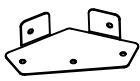
<b>36</b>	 VA-E17 [x2] 977mm	 VA-E18 [x2] 1745mm	 VA-J18 [x2] 1805mm	 VA-J46 [x12] 13mm	
-----------	---	--	--	---	--



37



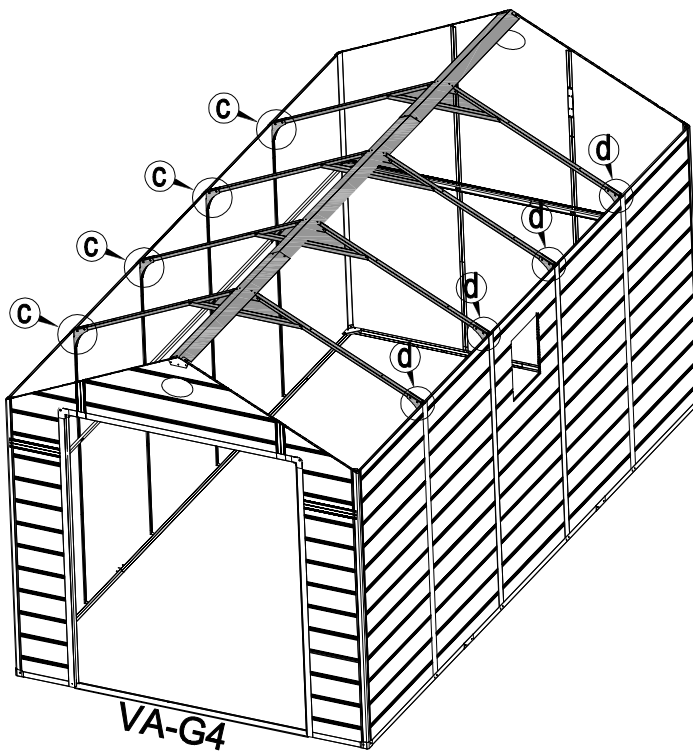
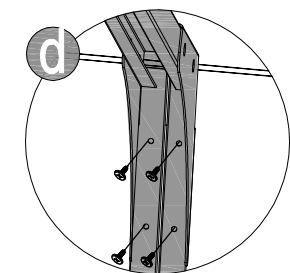
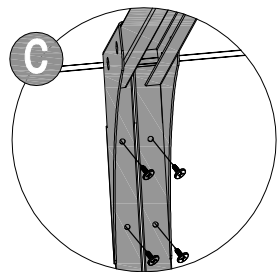
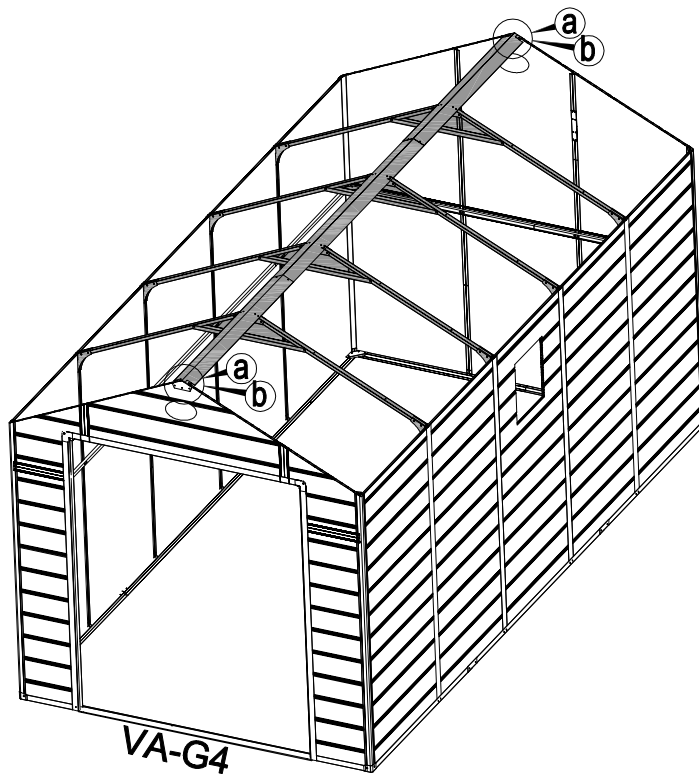
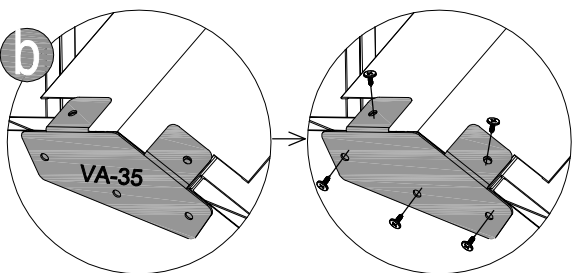
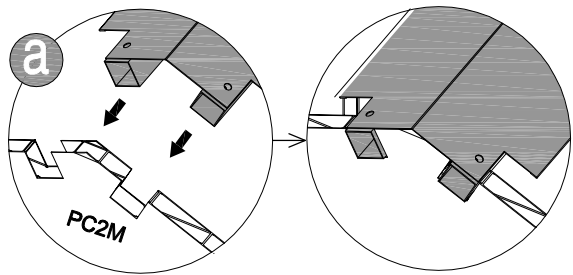
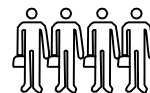
38

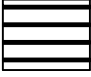
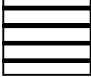
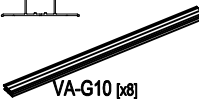





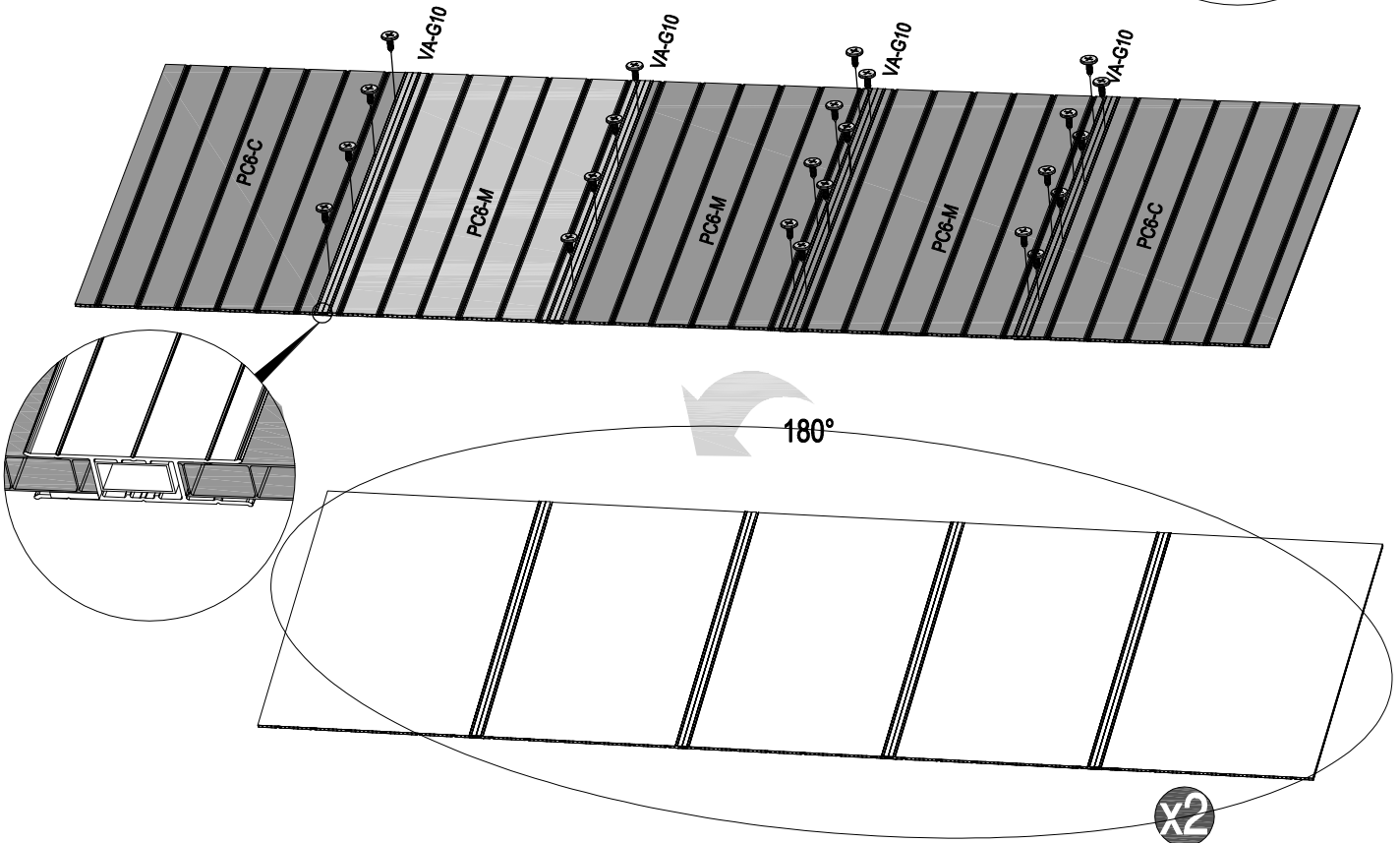
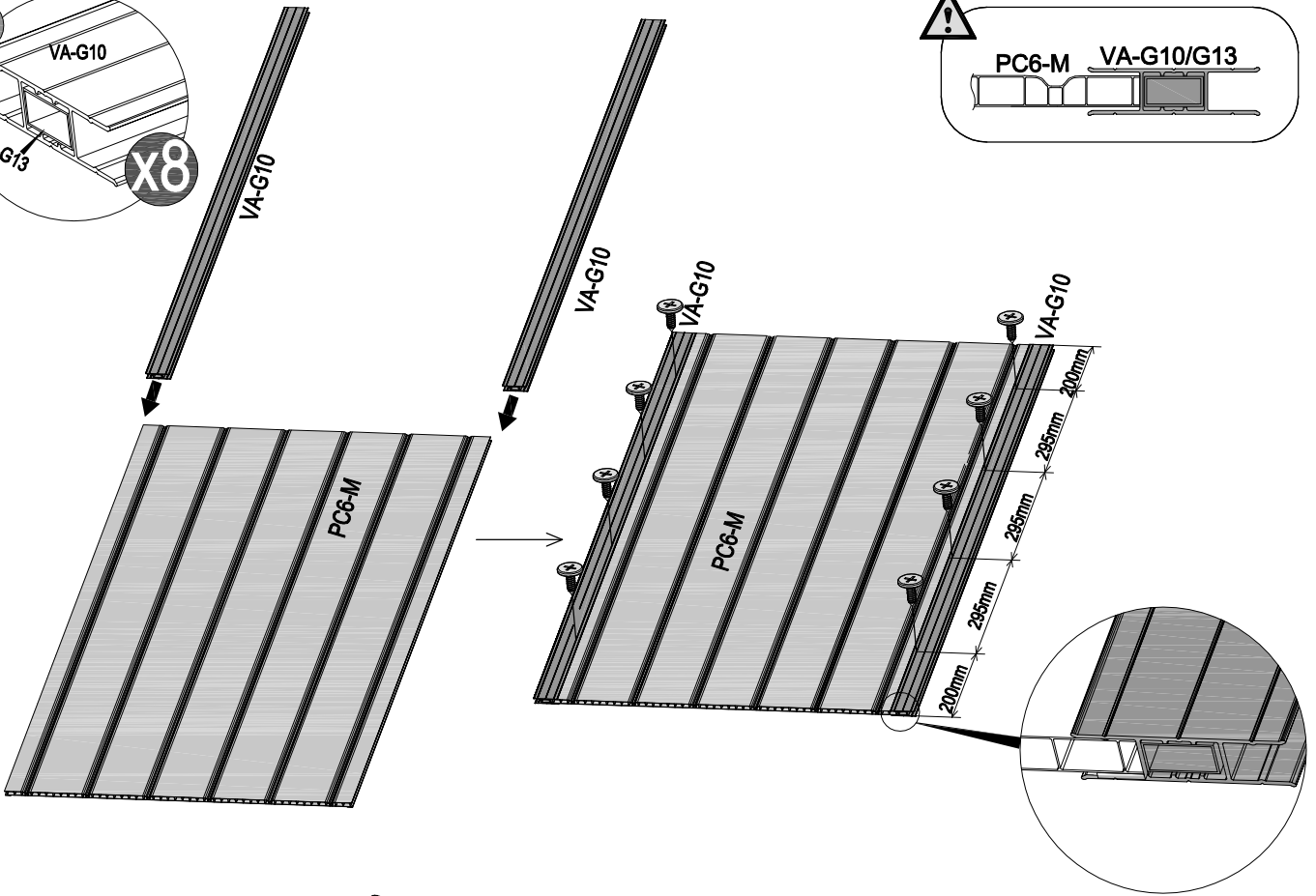
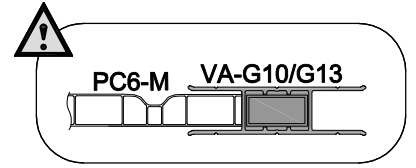
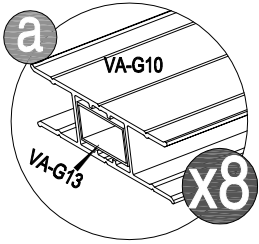
VA-35 [x2]



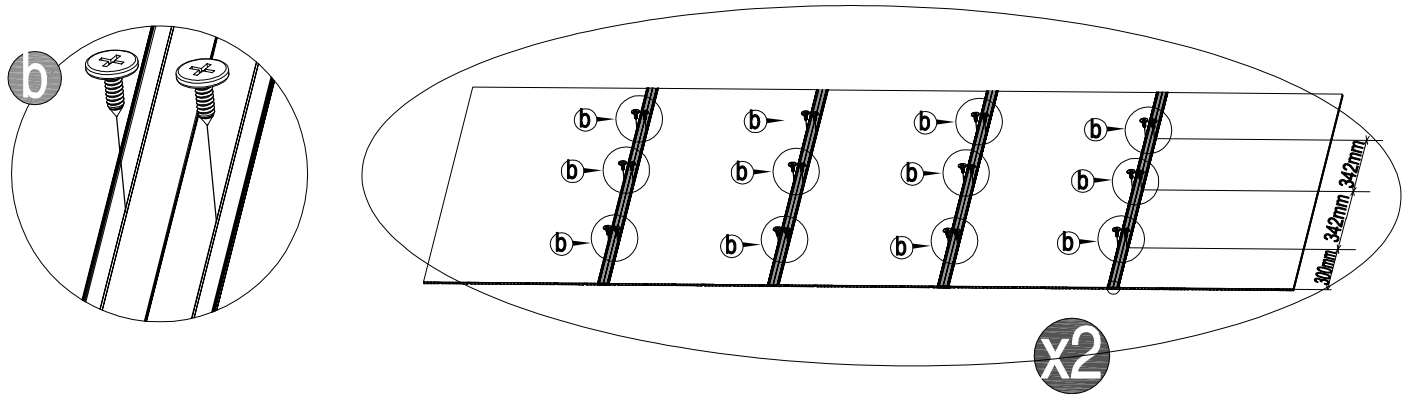
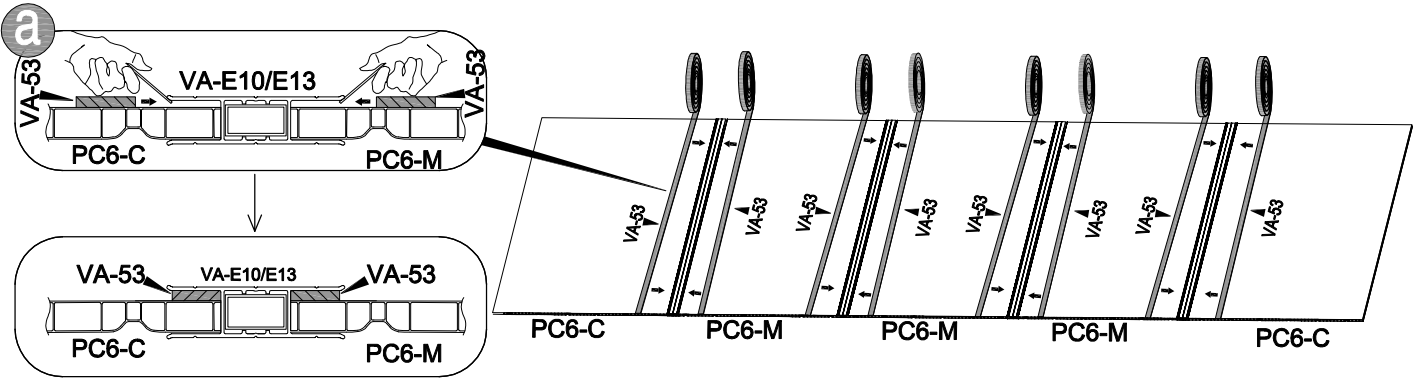
VA-J44 [x42]  
13mm






39	 <b>PC6-M [x8]</b> 1285x856mm	 <b>PC6-C [x4]</b> 1285x920mm	 <b>VA-G10 [x8]</b> 1285mm	 <b>VA-G13 [x8]</b> 1285mm	 <b>VA-J44 [x64]</b> 13mm	 <b>CN-A33</b>
----	--	--	---	--	--	--

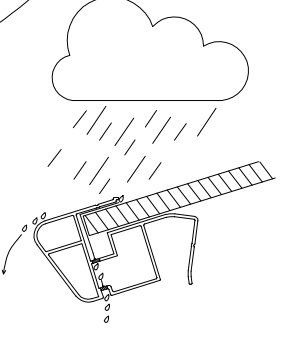
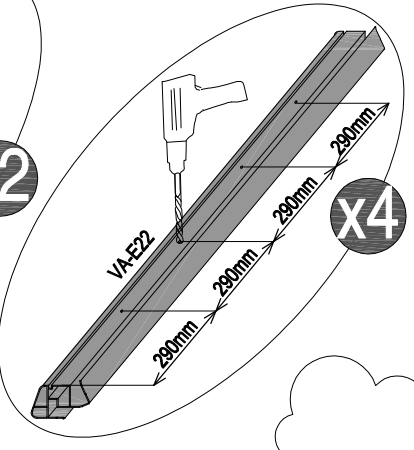
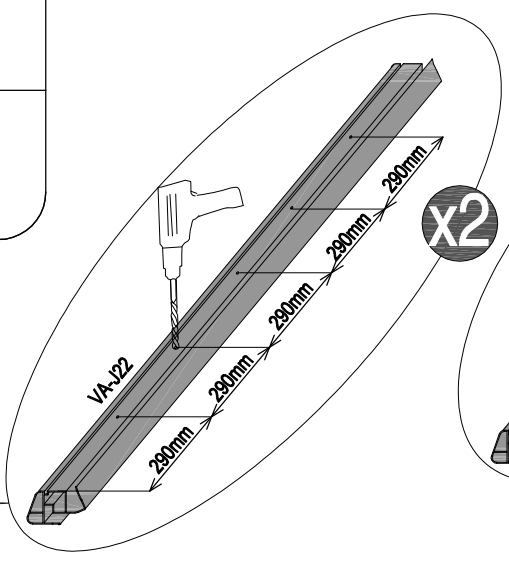
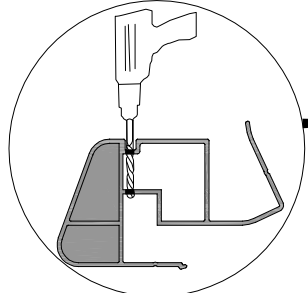


<b>40</b>	 VA-53 [x4]	 VA-J44 [x48] 13mm	 CN-A33
-----------	---	---	---



<b>41</b>	 VA-E22 [x4] 1282mm	 VA-J22 [x2] 1740mm	 Ø8mm
-----------	--	--	---

! VA-E22 [x4] ✓ 1282mm	VA-G21 [x4] ✗ 1165mm
VA-J22 [x2] ✓ 1740mm	



42



VA-E22 [x4]  
1282mm



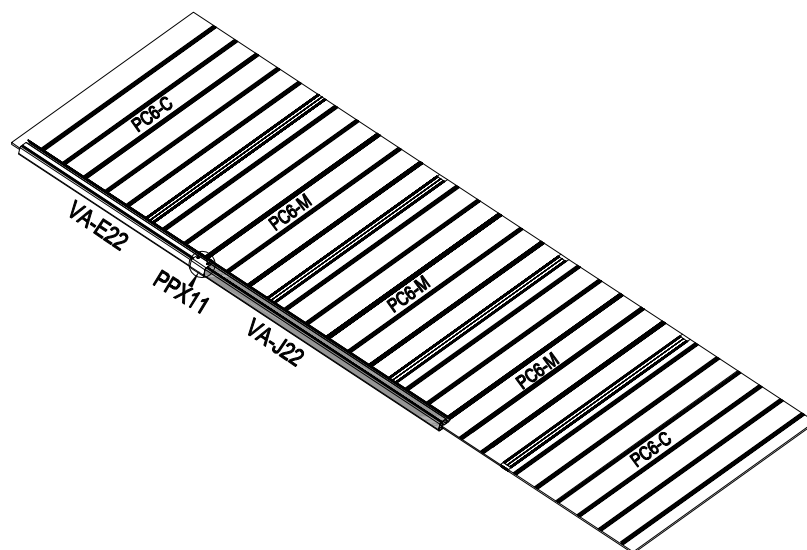
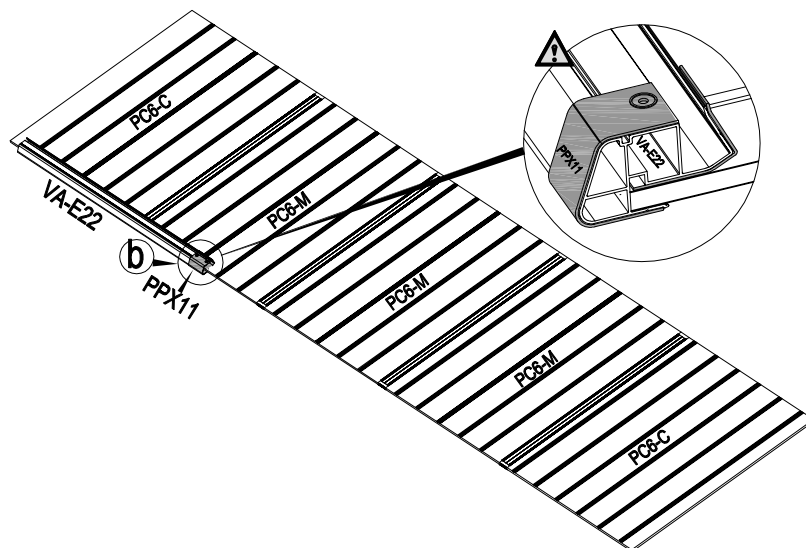
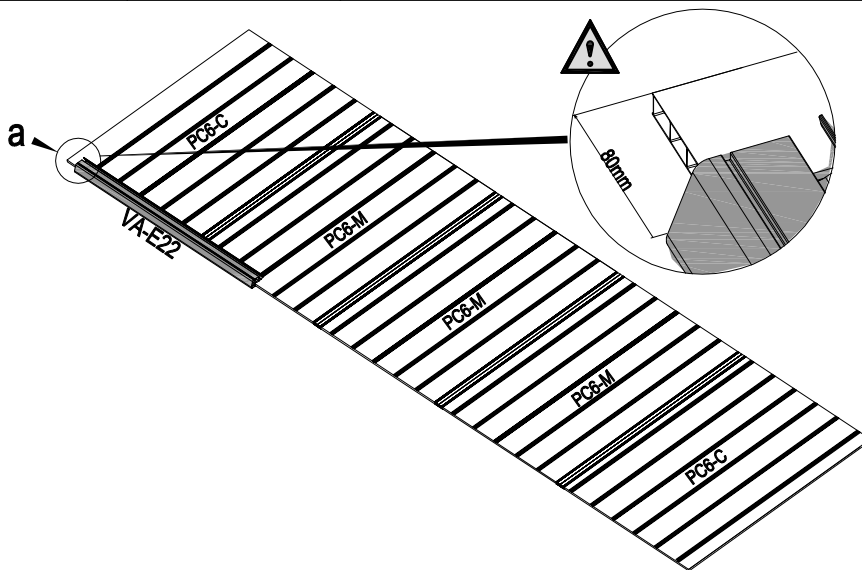
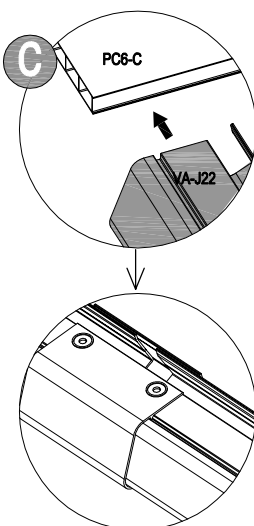
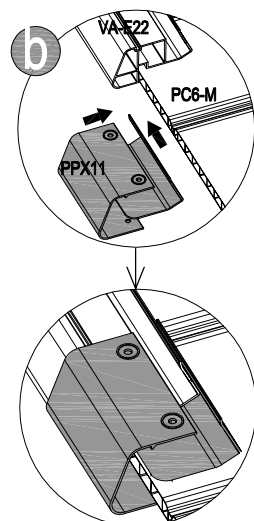
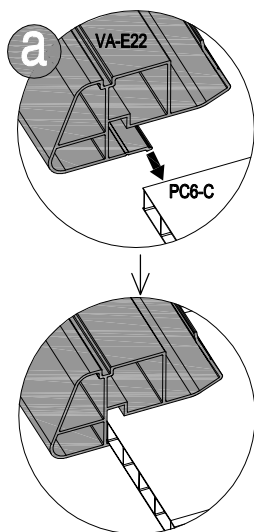
VA-J22 [x2]  
1740mm

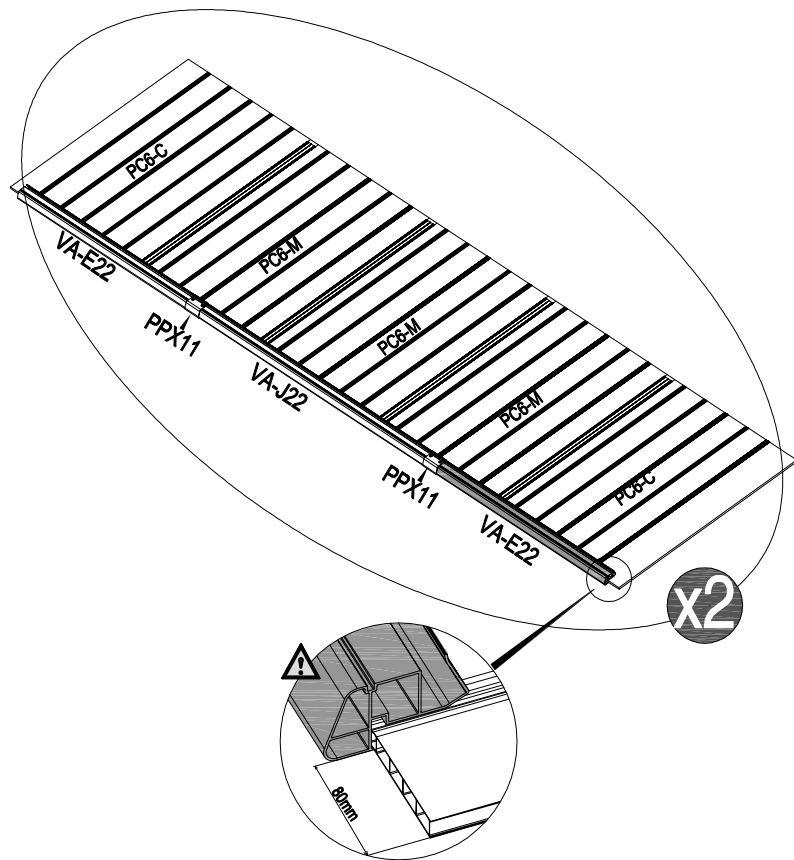
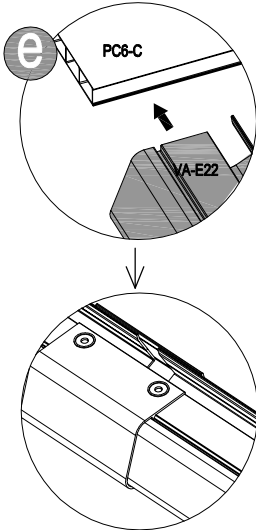
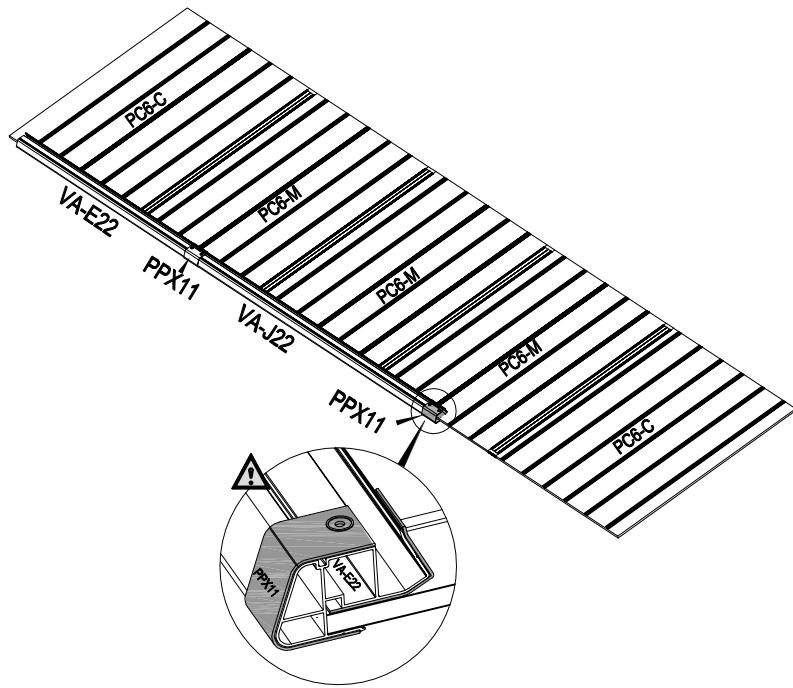
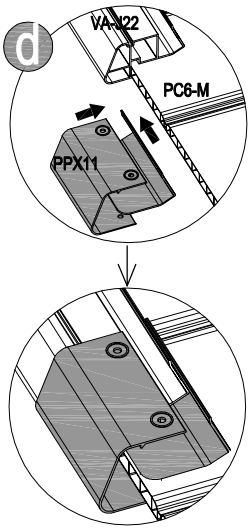


PPX11 [x2]



CN-A33







43



VA-G21 [x4]  
1165mm



PPX3[x4]



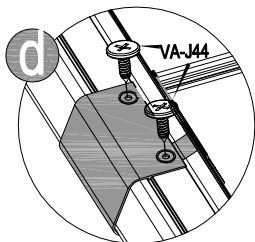
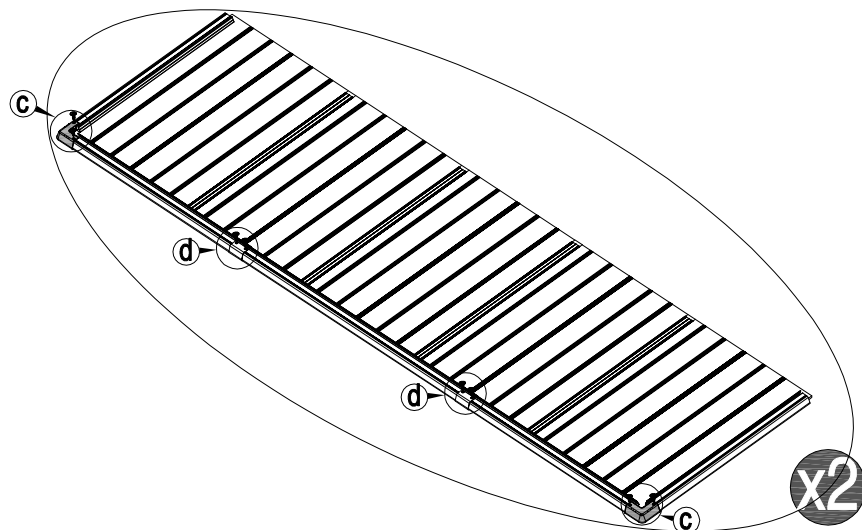
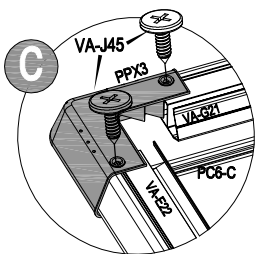
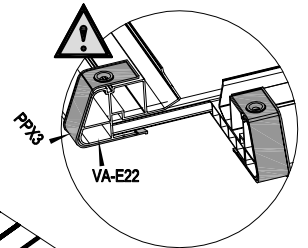
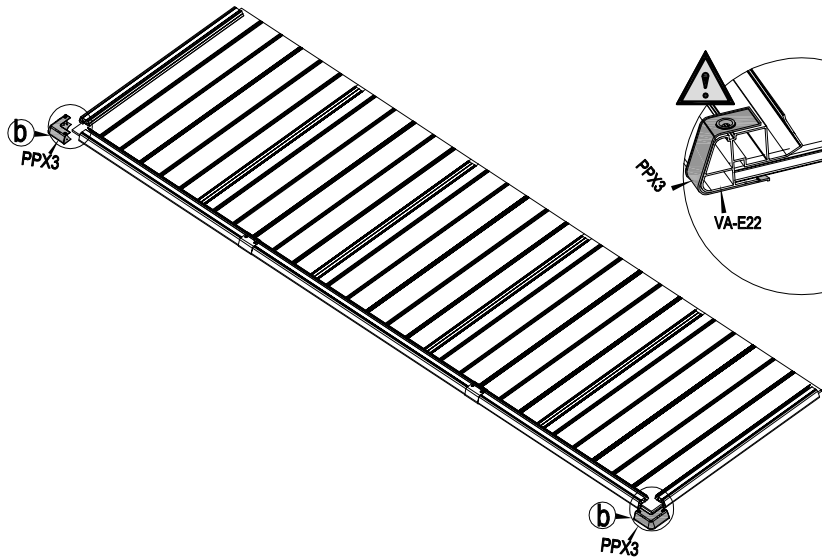
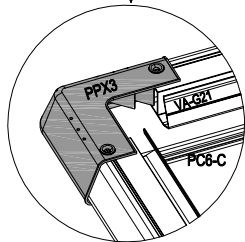
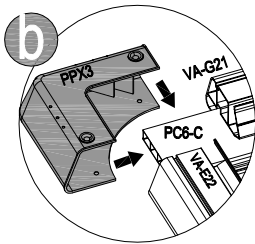
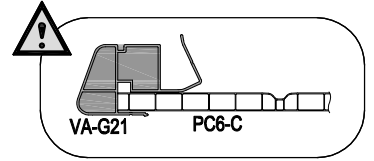
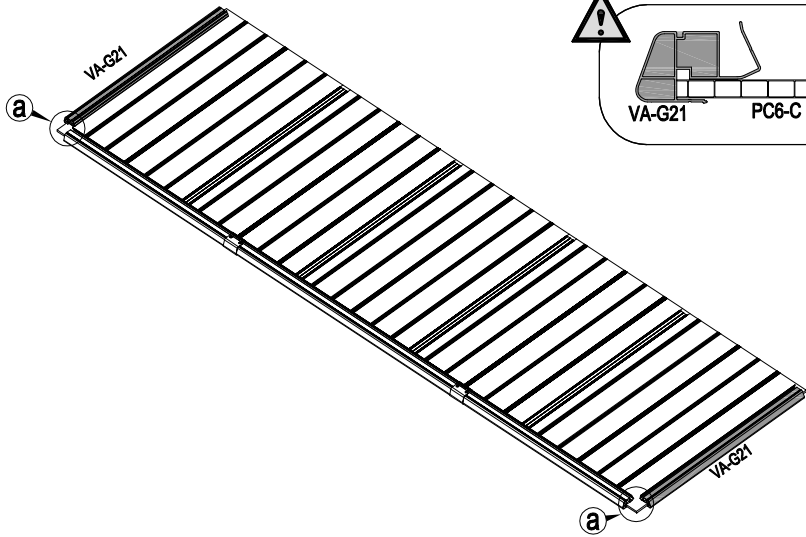
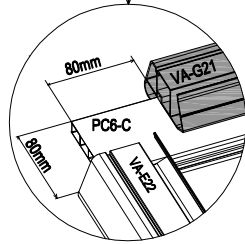
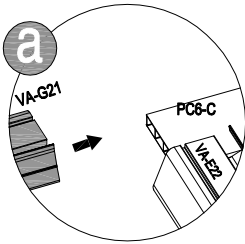
VA-J44 [x8]  
13mm



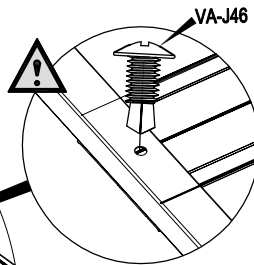
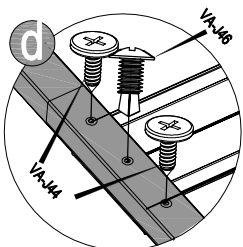
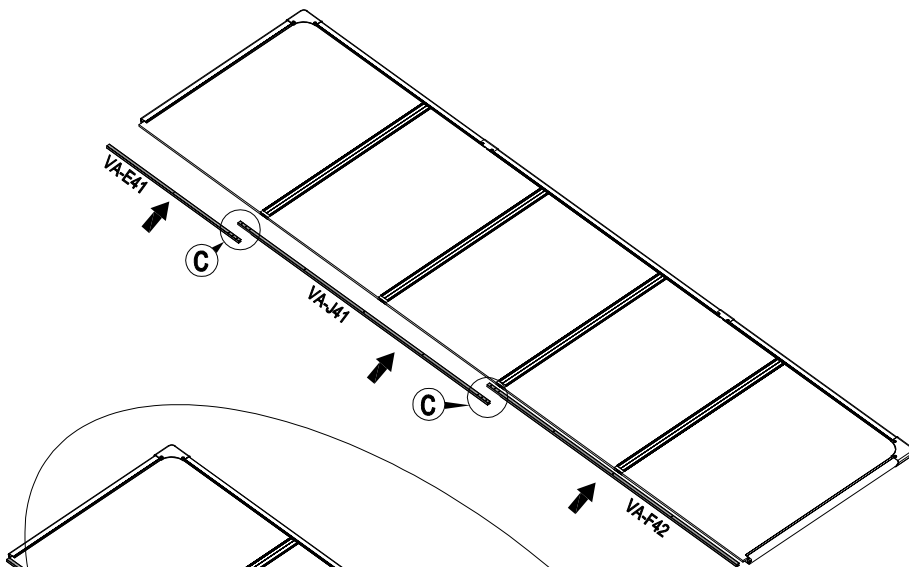
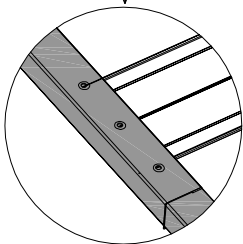
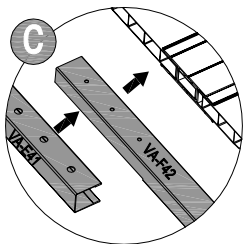
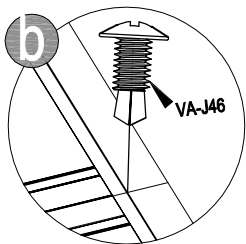
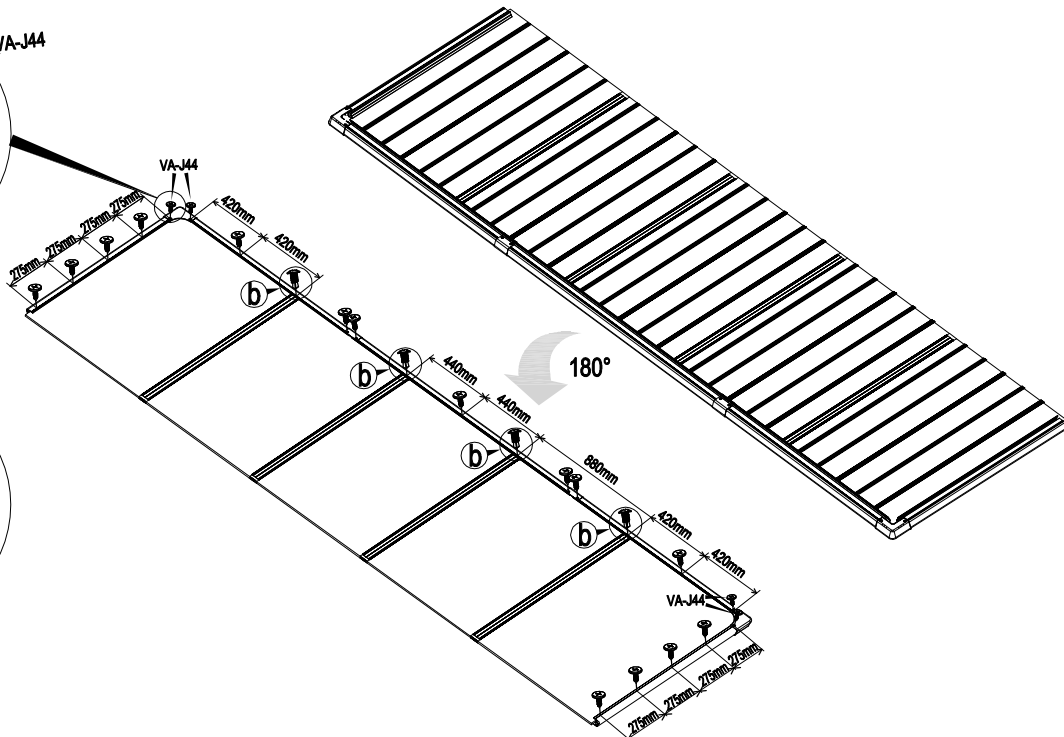
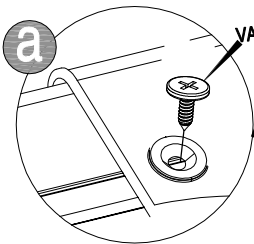
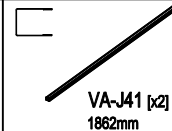
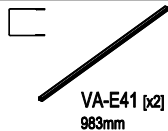
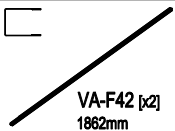
VA-J45 [x8]  
19mm



CN-A33



44

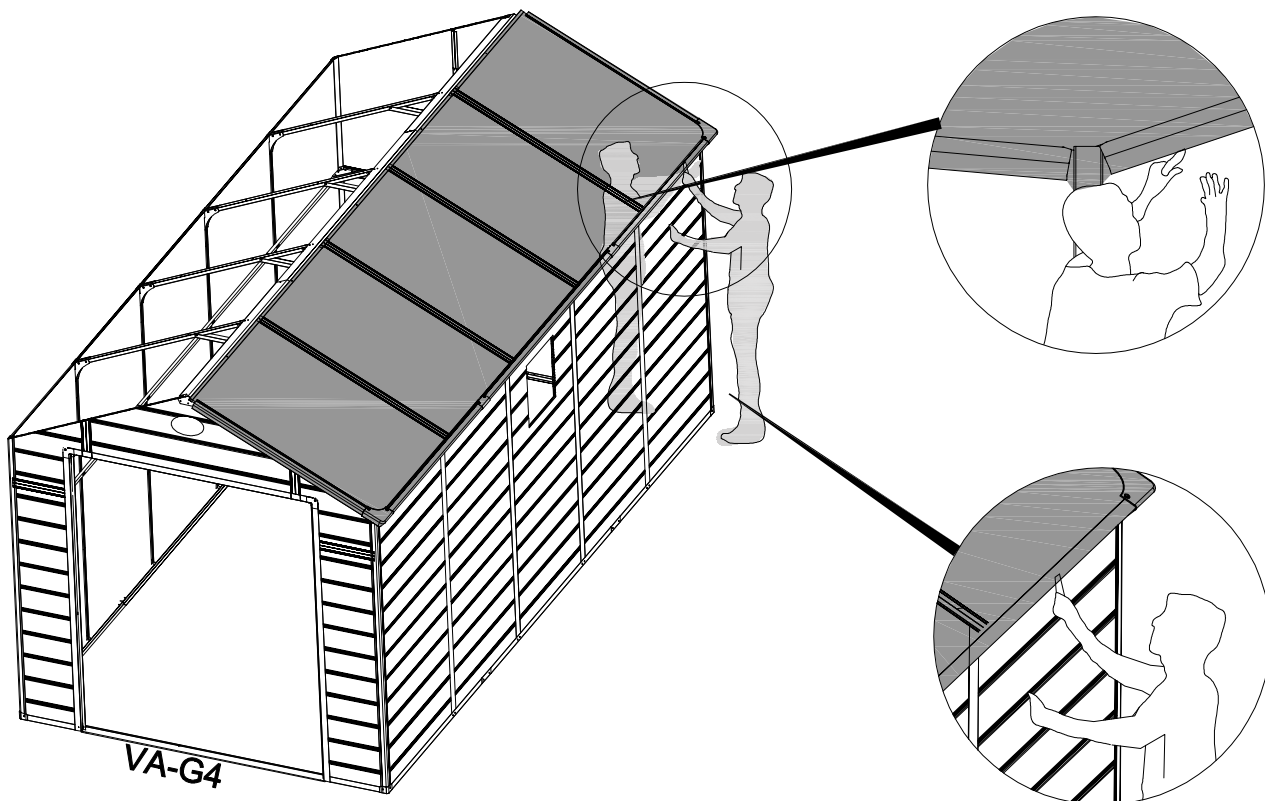
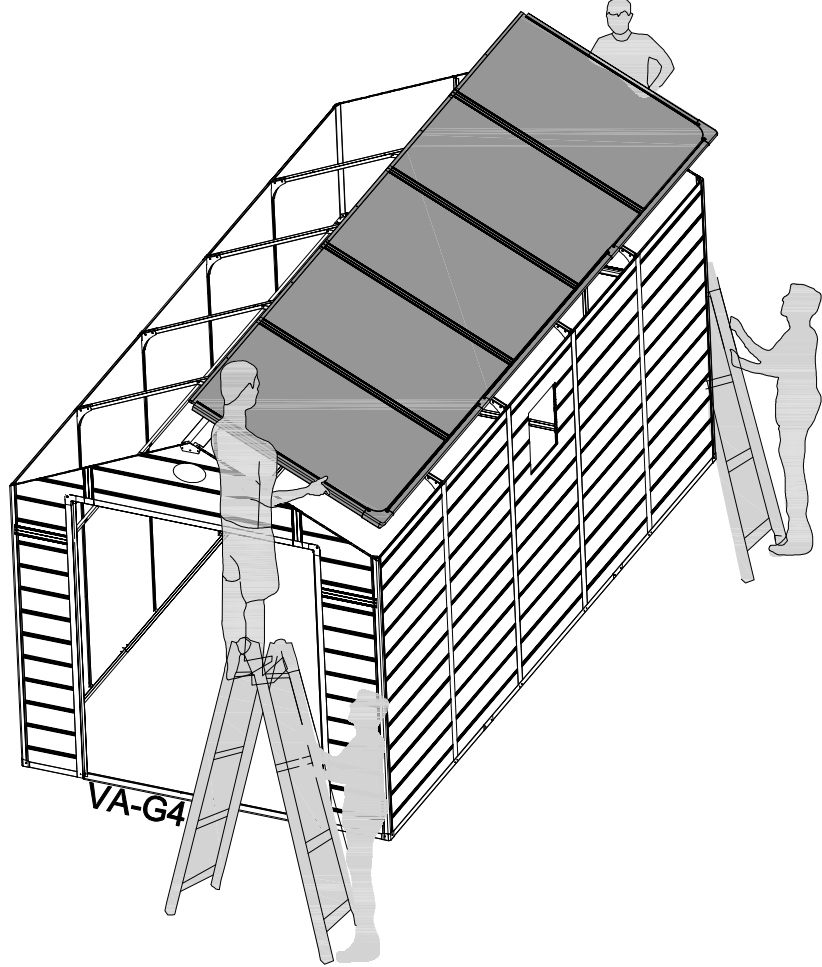
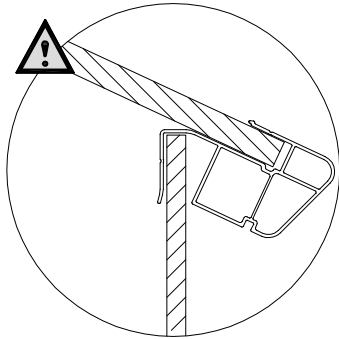
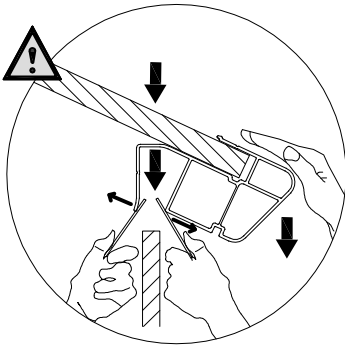
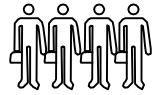


x2

45



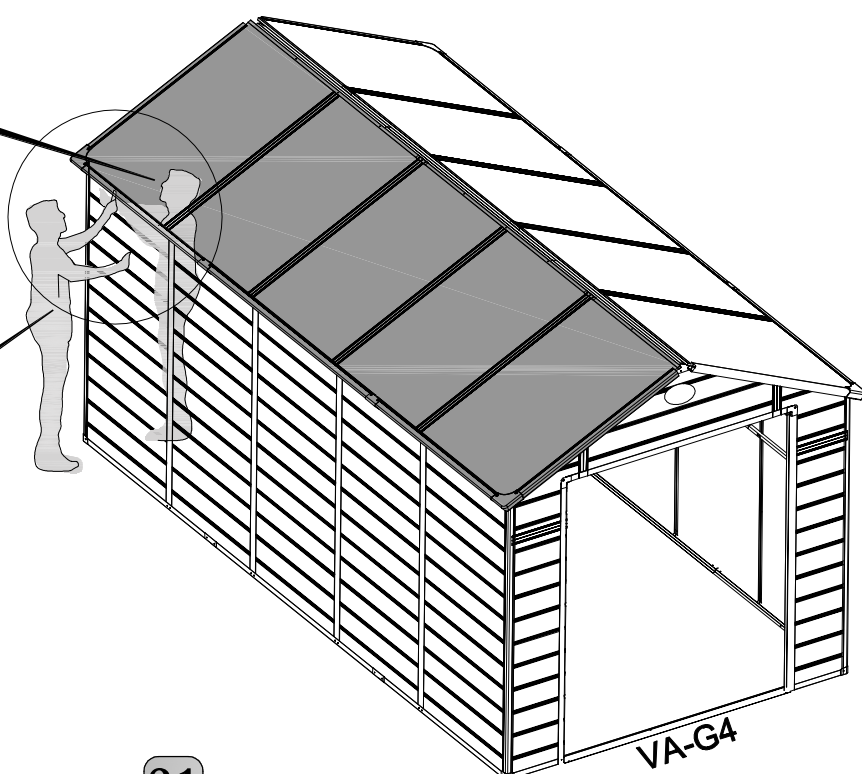
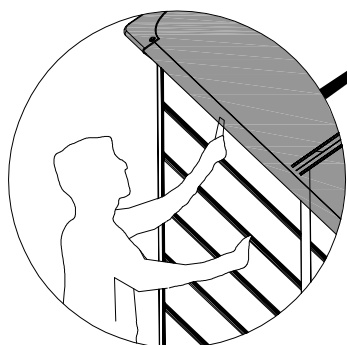
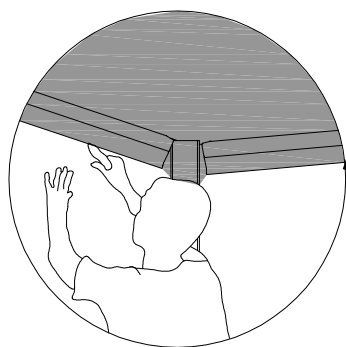
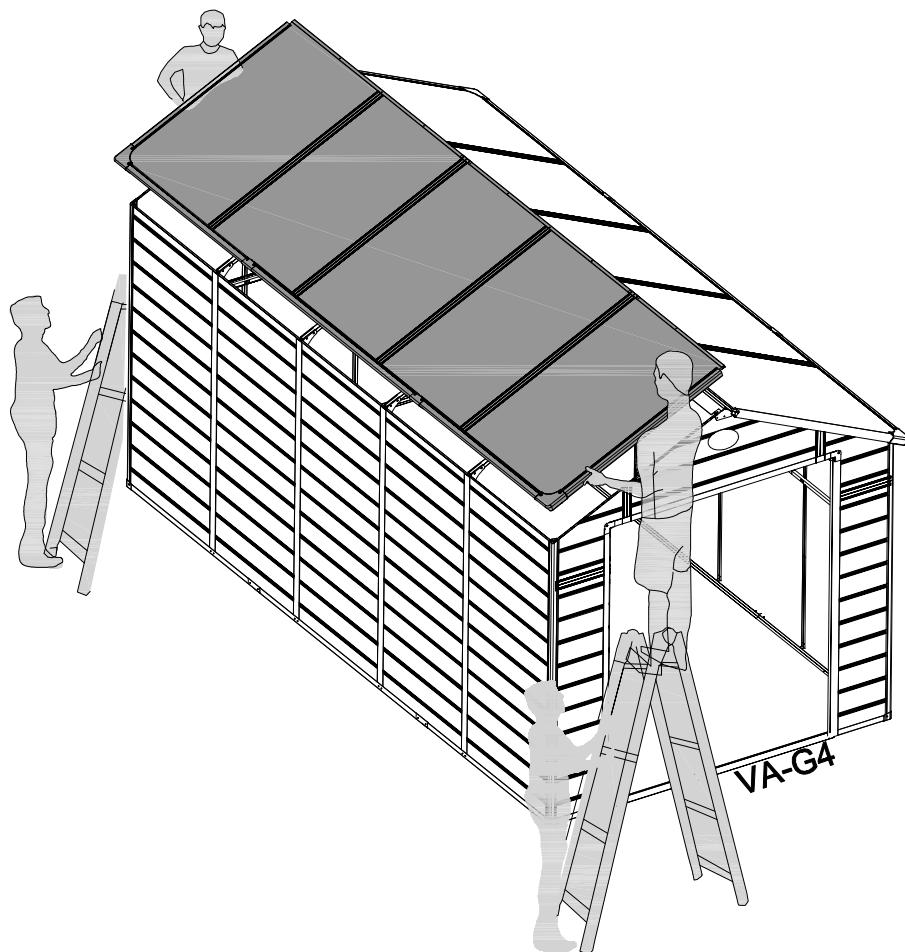
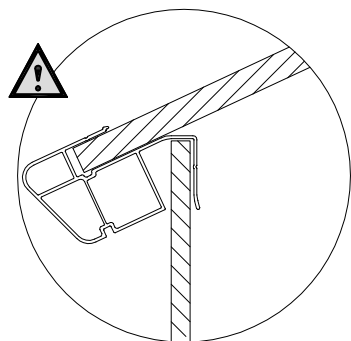
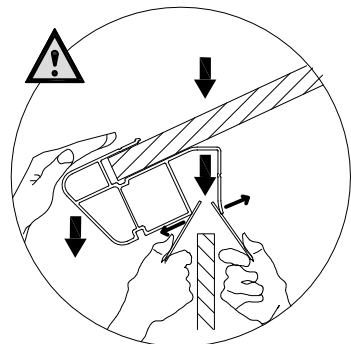
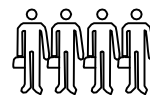
CN-A33



46



CN-A33



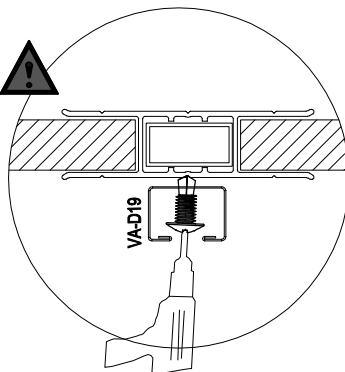
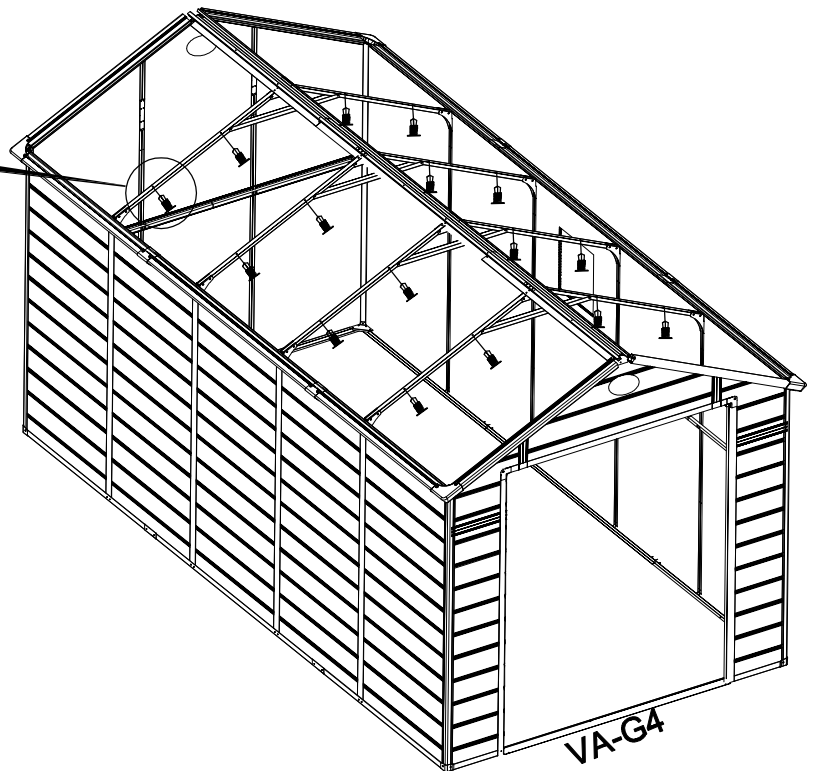
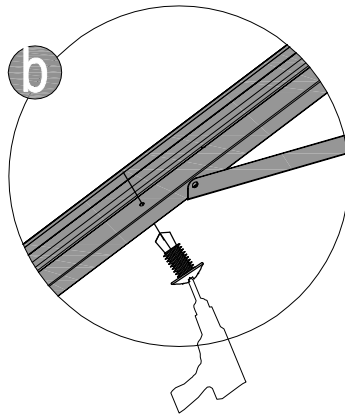
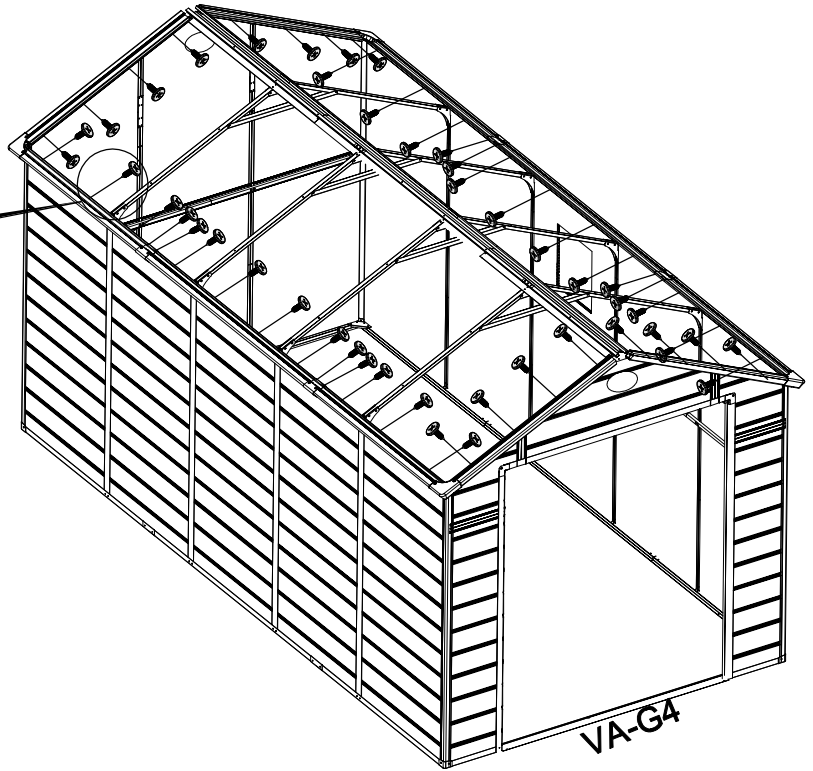
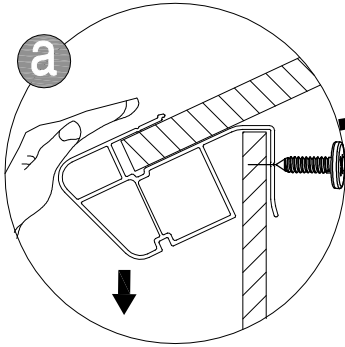
47



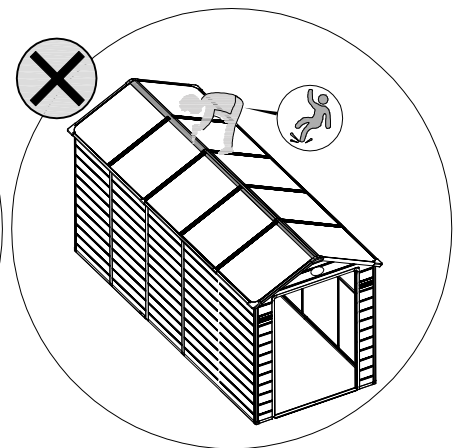
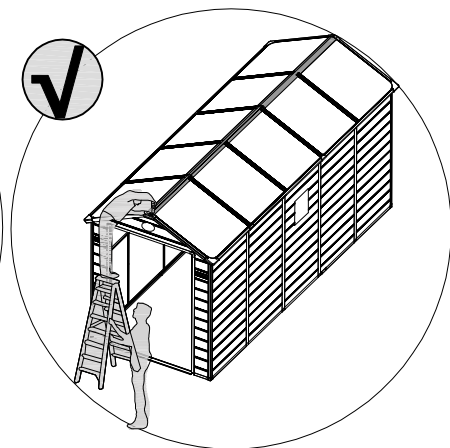
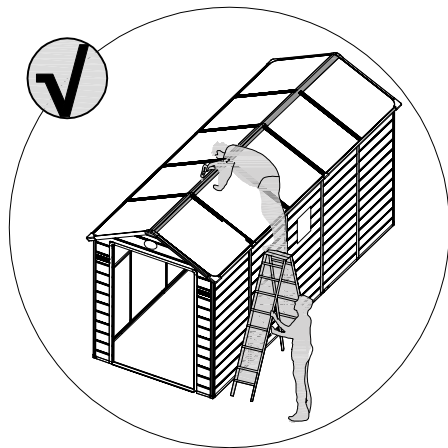
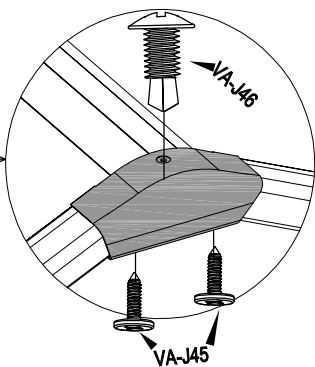
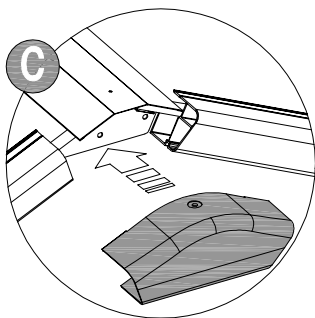
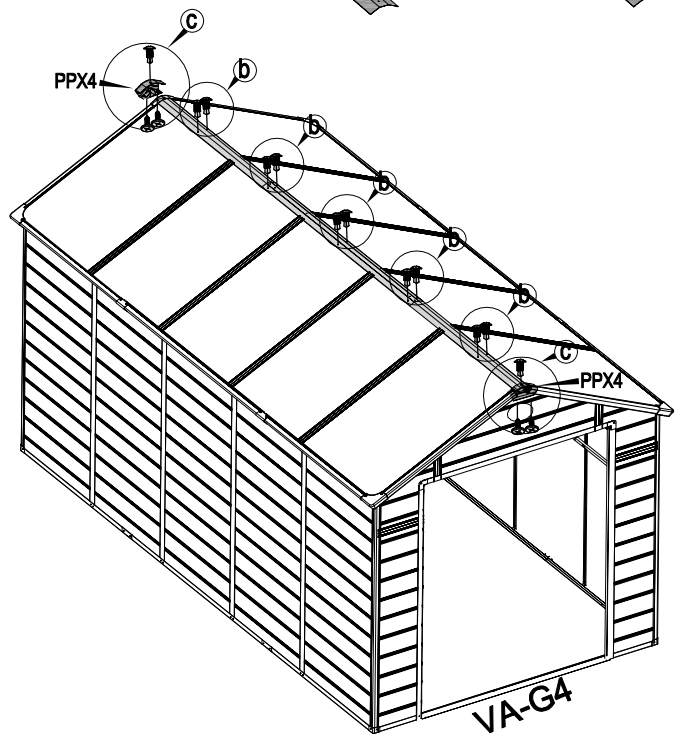
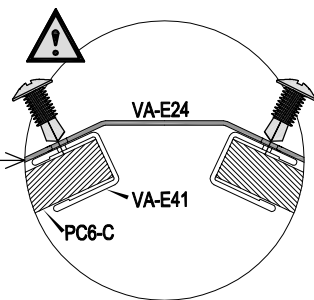
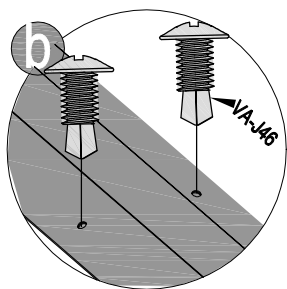
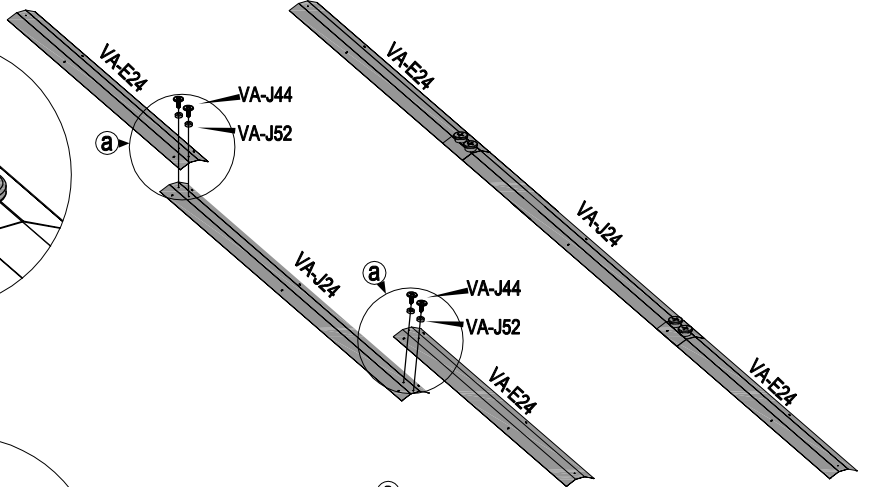
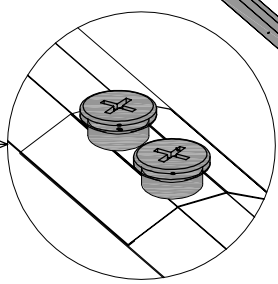
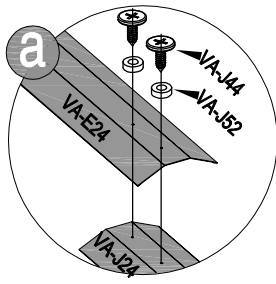
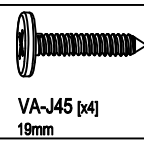
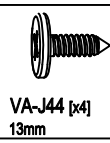
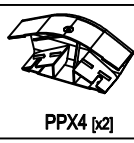
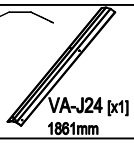
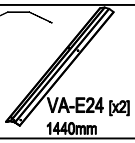
VA-J45 [x44]  
18mm



VA-J46 [x16]  
13mm



48



49

PC7 [x1]  
746x1810mm

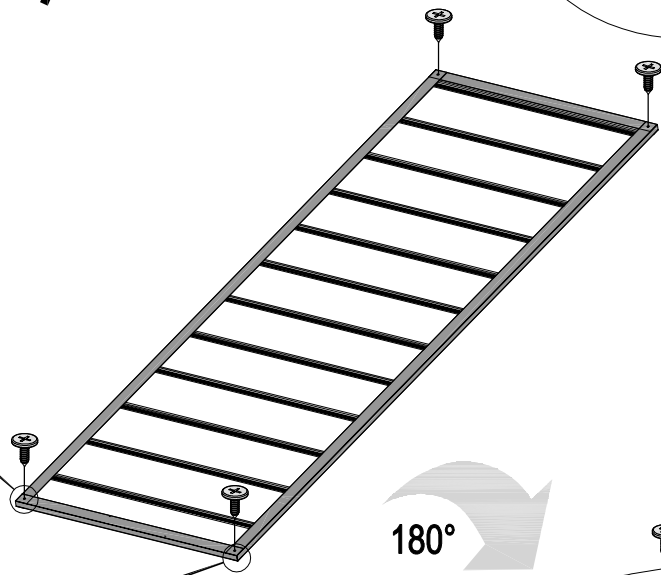
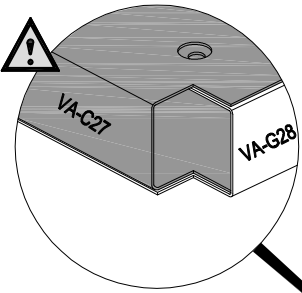
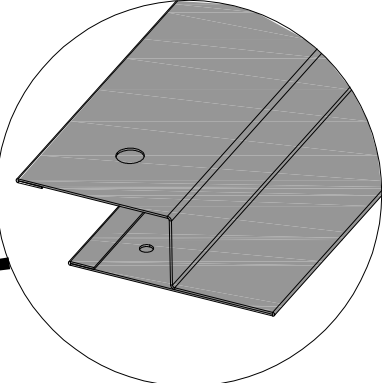
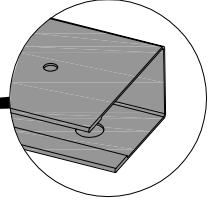
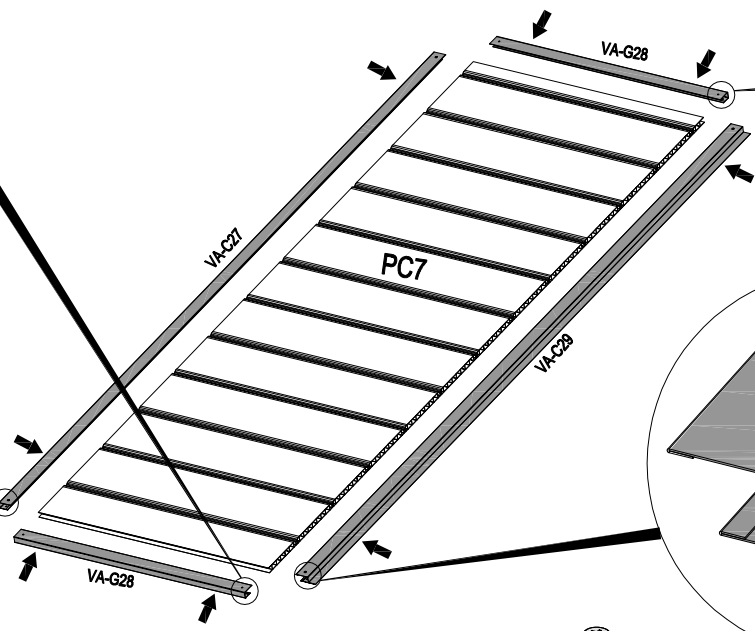
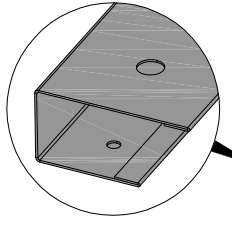
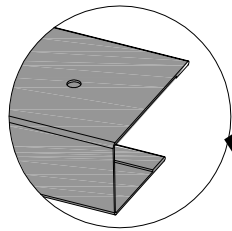


VA-C29 [x1]  
1812mm

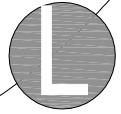
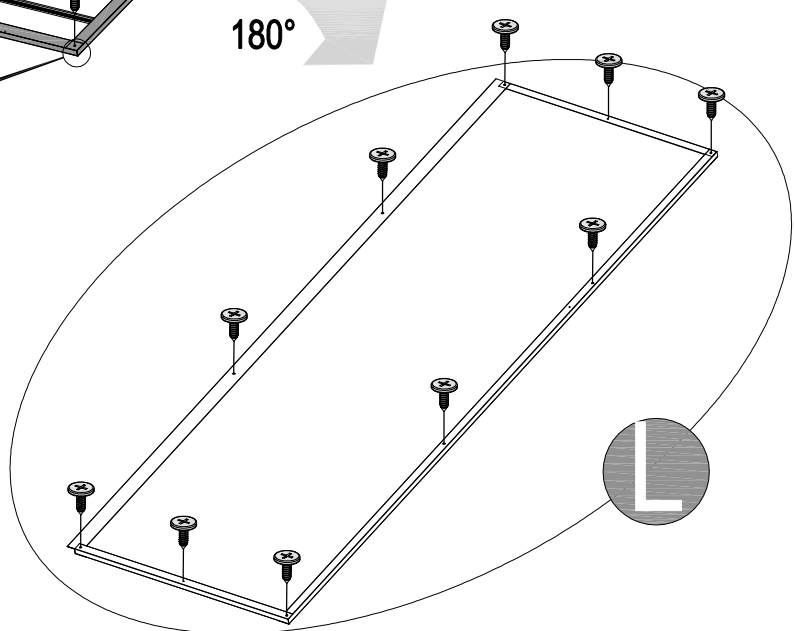
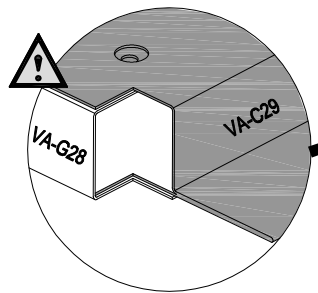
VA-C27 [x1]  
1812mm

VA-G28 [x2]  
747mm

VA-J44 [x14]  
13mm



180°



50

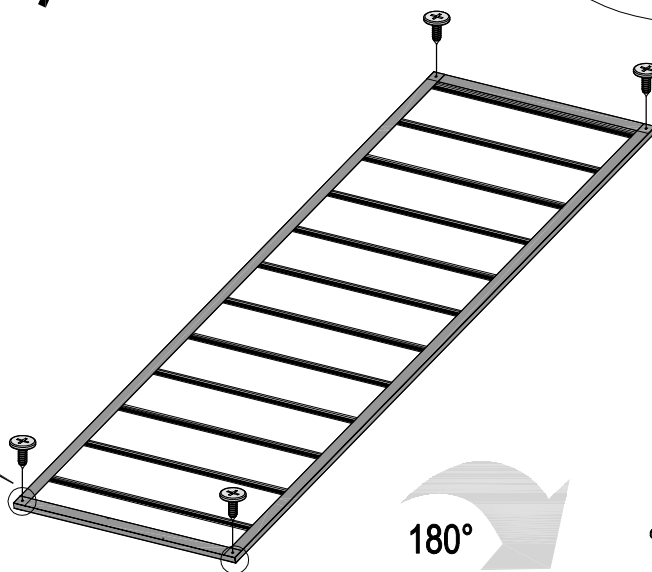
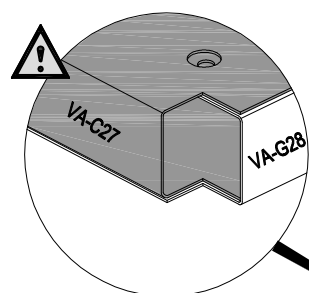
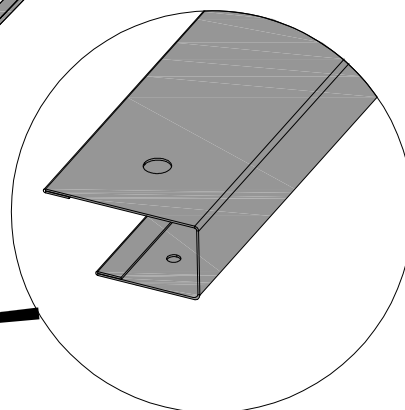
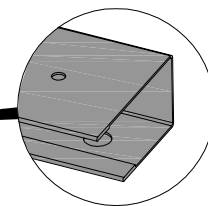
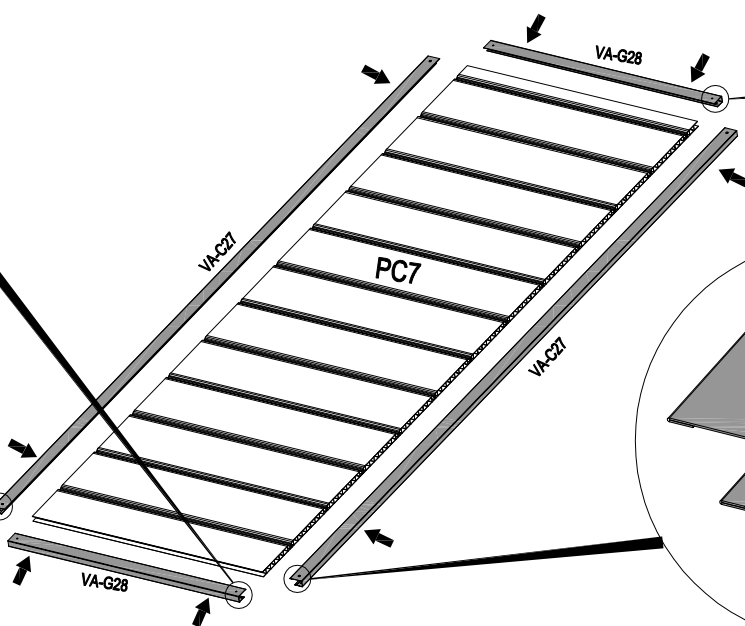
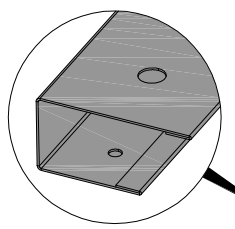
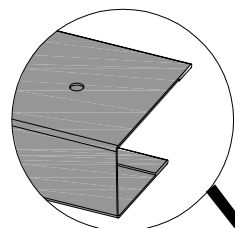
PC7 [x1]  
746x1810mm



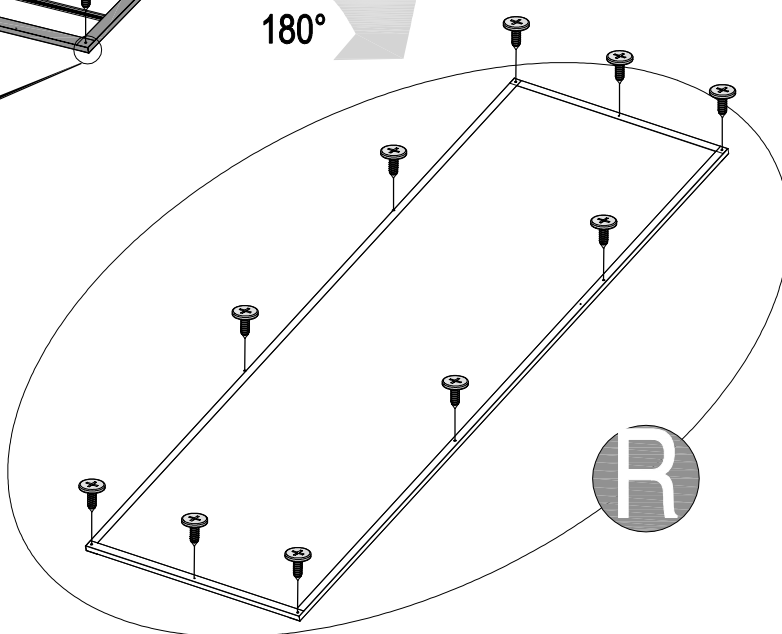
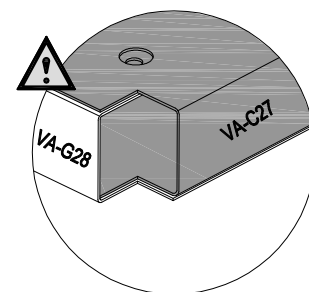
VA-C27 [x2]  
1812mm

VA-G28 [x2]  
747mm

VA-J44 [x14]  
13mm



180°





51



VA-41 [x4]



VA-40 [x1]



PA01 [x3]



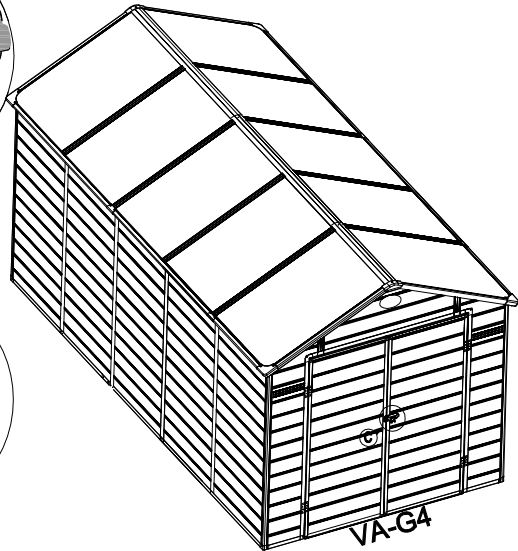
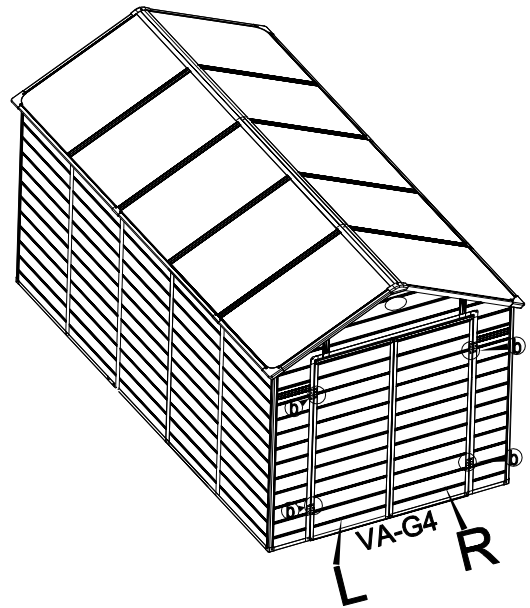
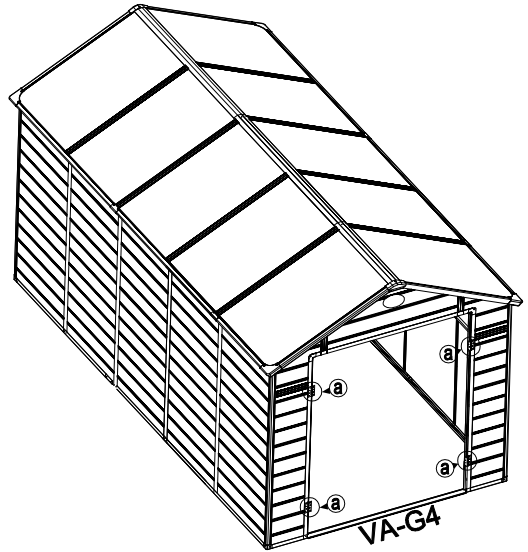
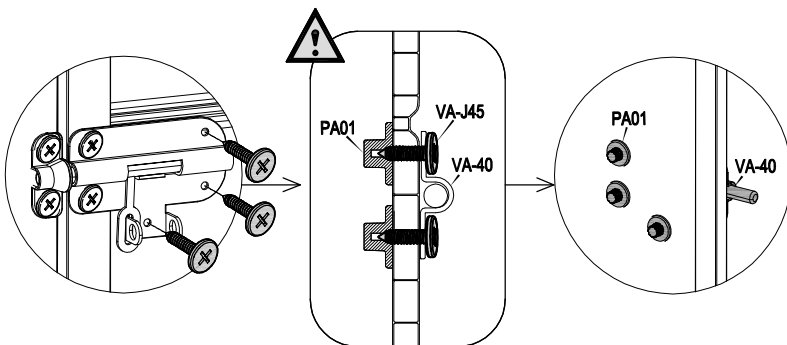
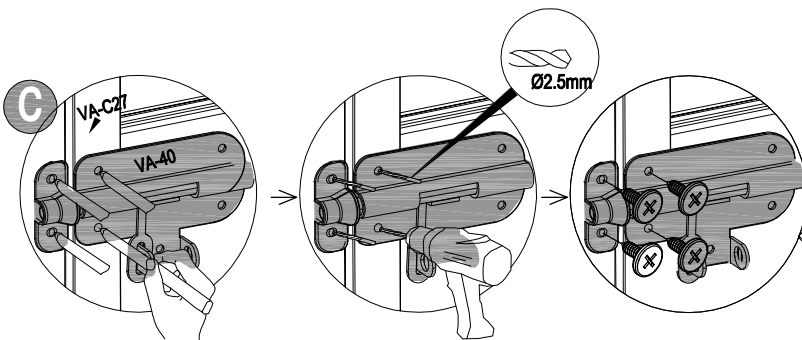
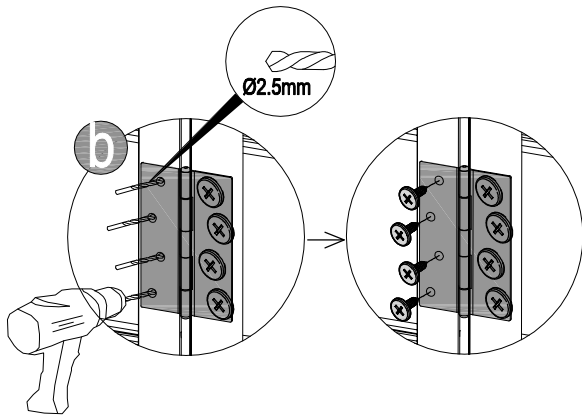
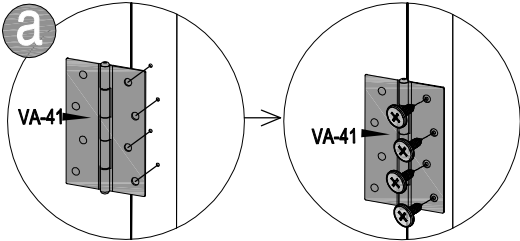
VA-J45 [x3]  
19mm



VA-J44 [x36]  
13mm



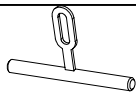
Ø2.5mm



52



VA-38a [x2]



VA-38b [x2]



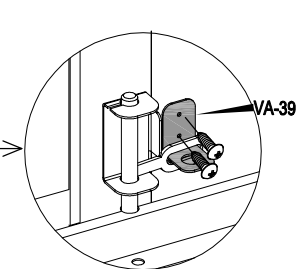
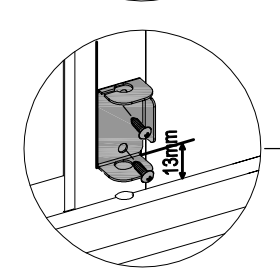
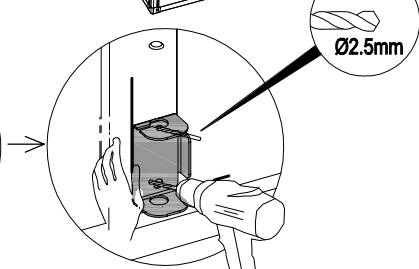
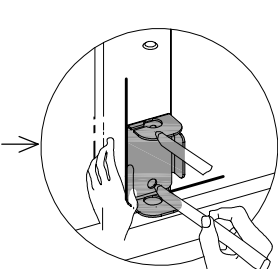
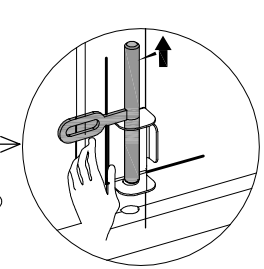
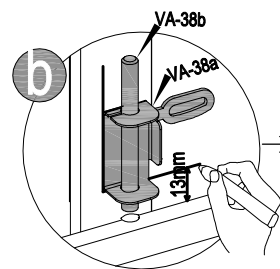
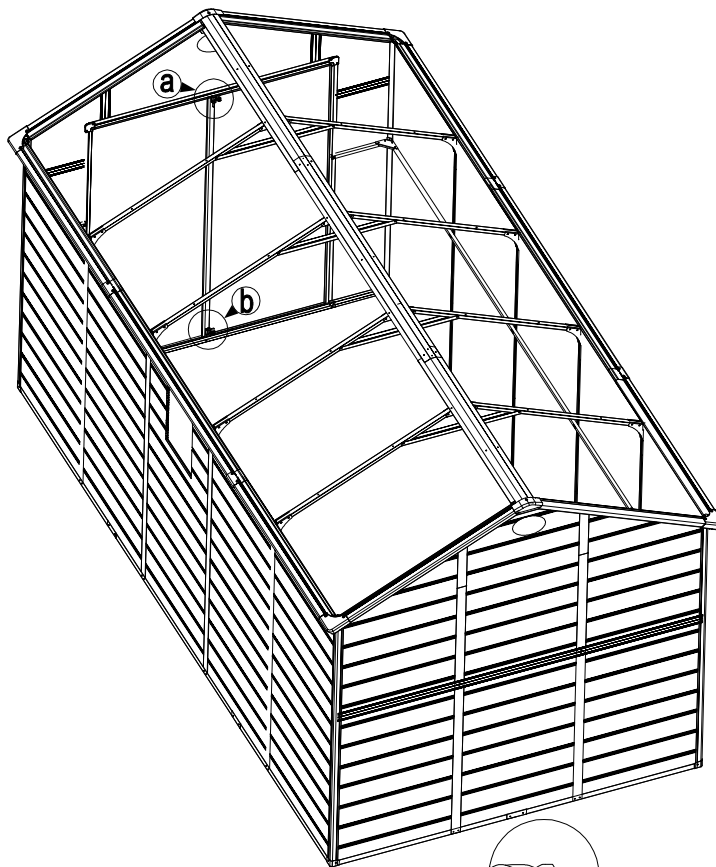
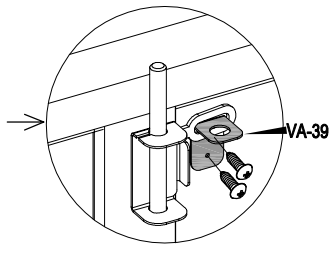
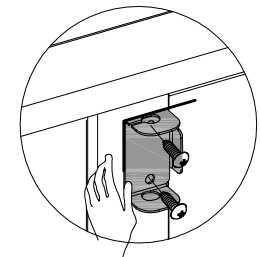
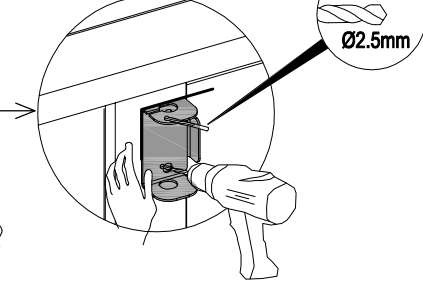
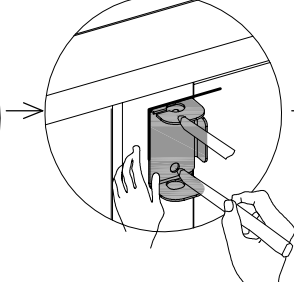
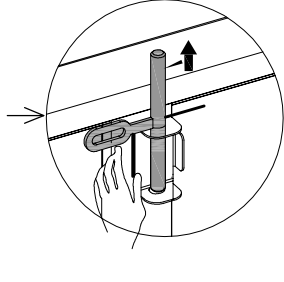
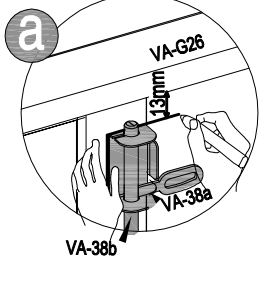
VA-39 [x2]



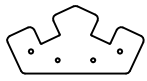
VA-J49 [x8]  
13mm



Ø2.5mm



53



VA-36 [x2]



VA-32L [x2]



VA-32R [x2]



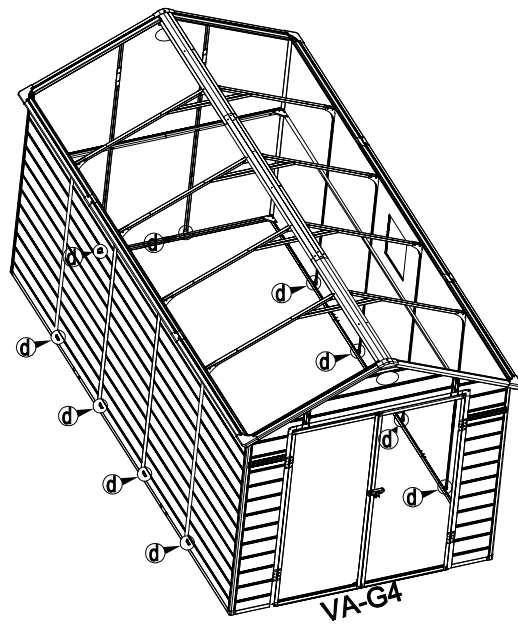
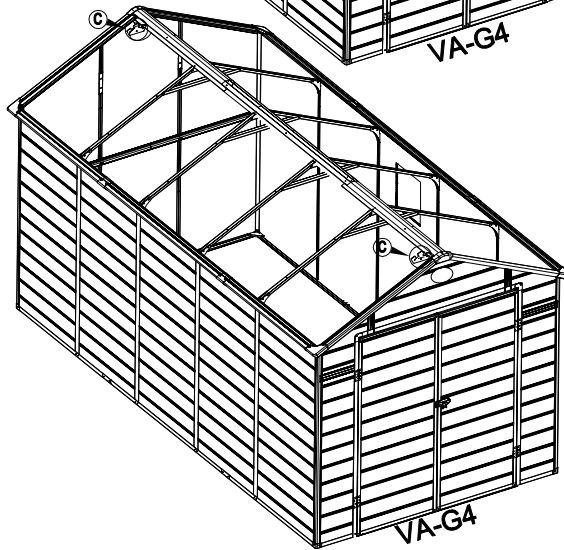
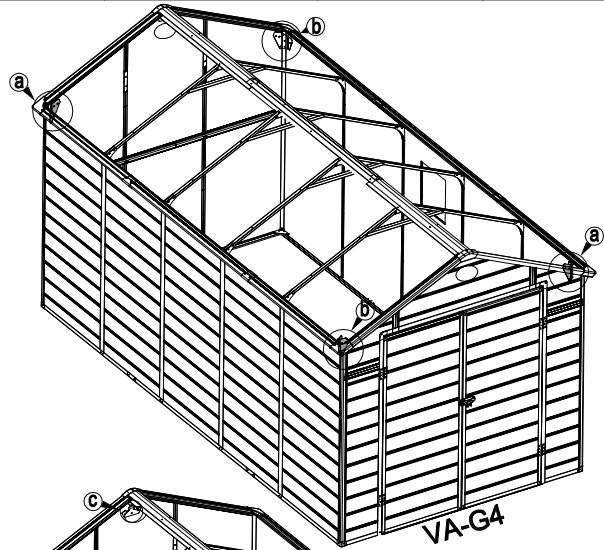
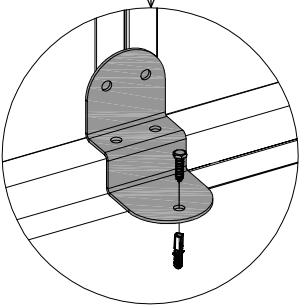
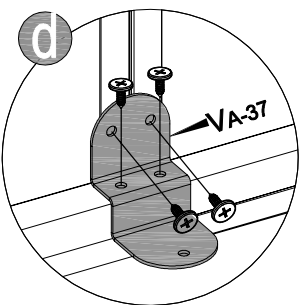
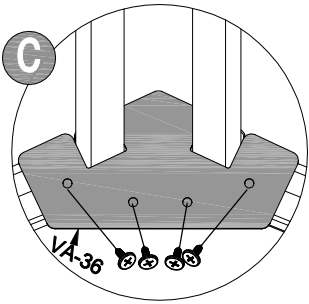
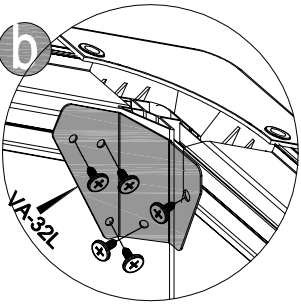
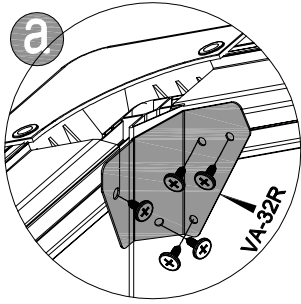
VA-37 [x10]

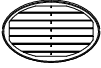








VA-J44 [x68]  
13mm



VA-J48 [x10]  
40mm



54	 PPX5 [x2]	 W1 [x1]	 PPX10 [x1]	 W2 [x1]	 VA-51 [x1]	 VA-J44 [x10] 13mm	
----	--	--	---	--	--	---	---

