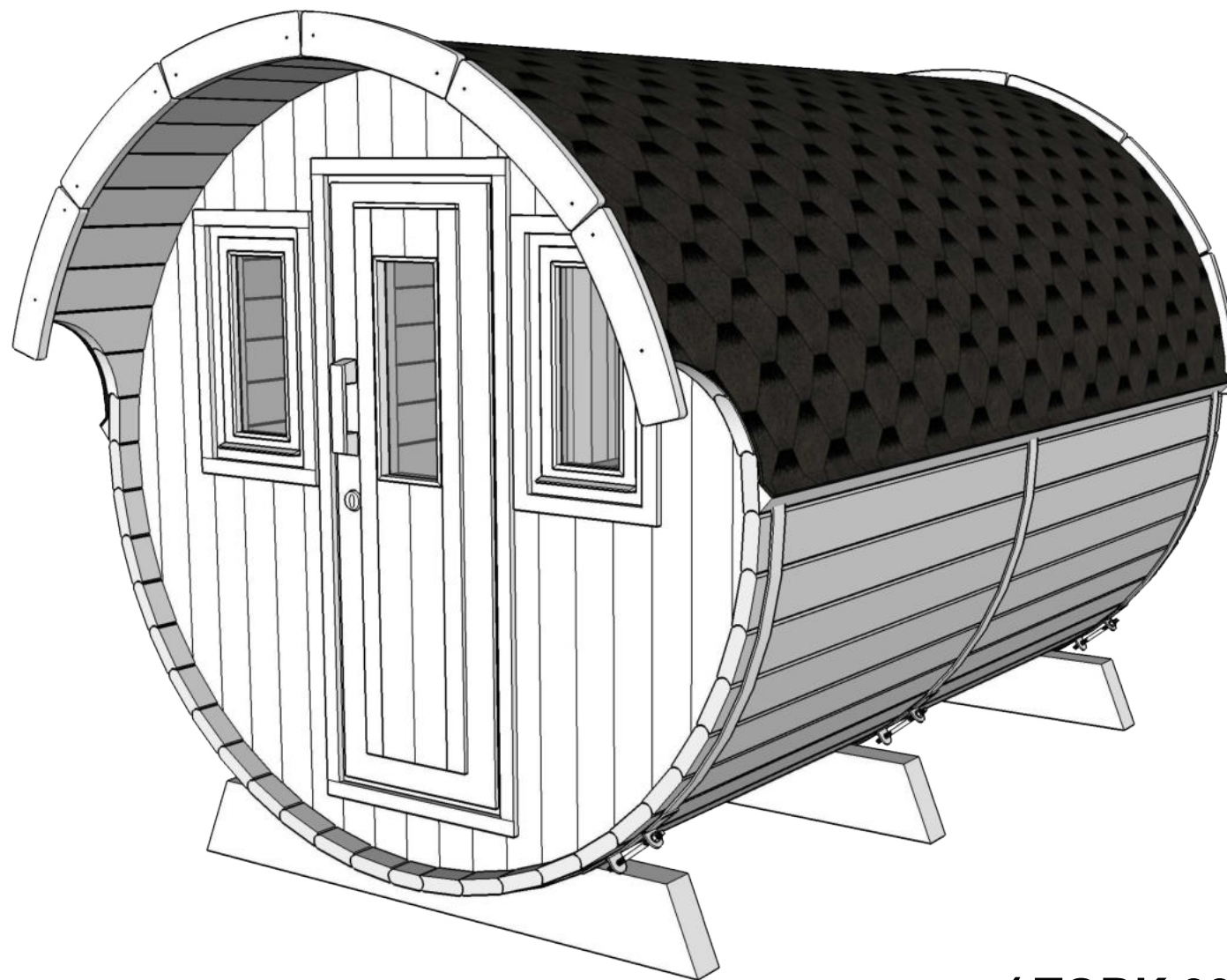


Camping Barrel 330, Ø210/28

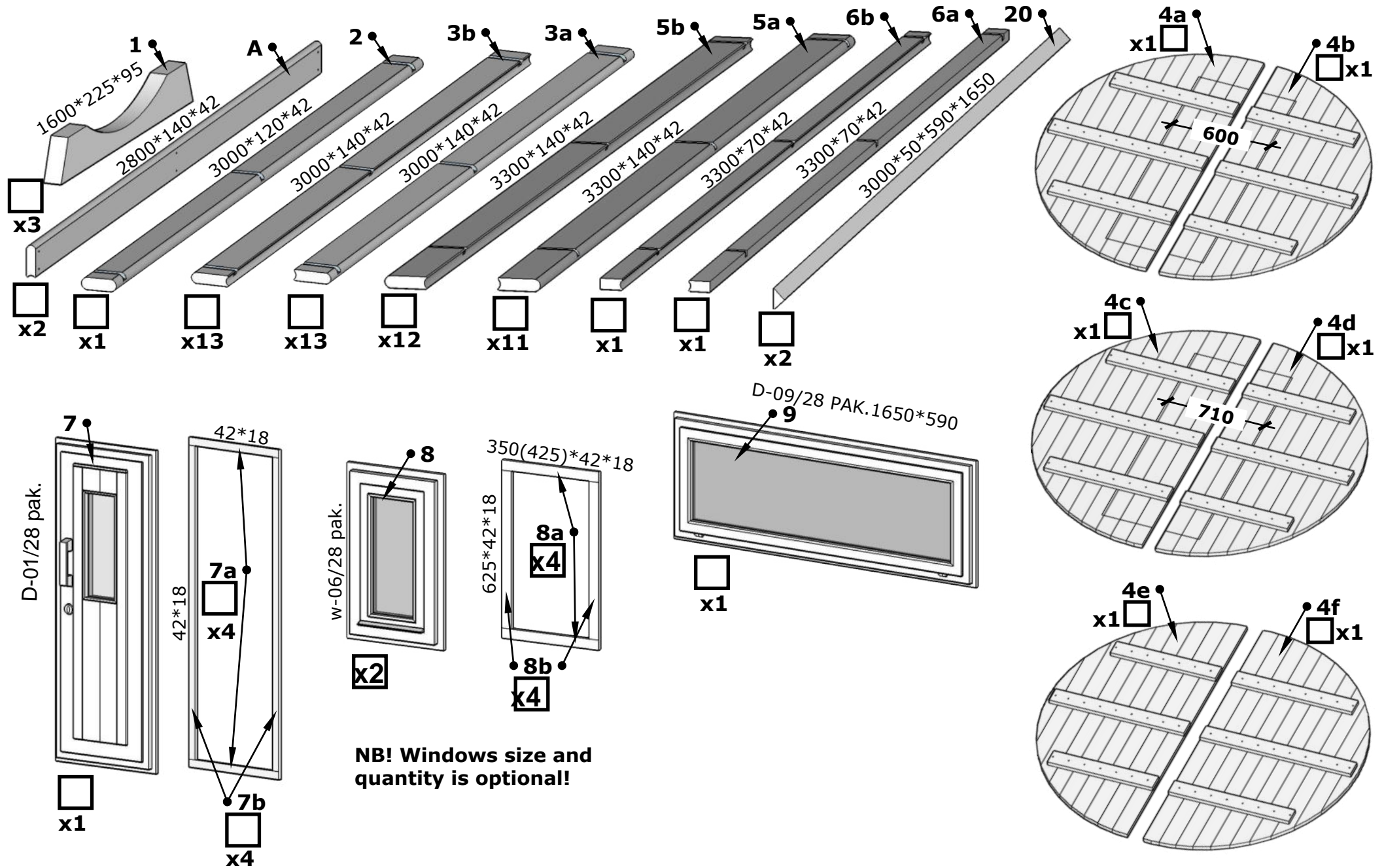


(TORK 001)

(TORK 001)

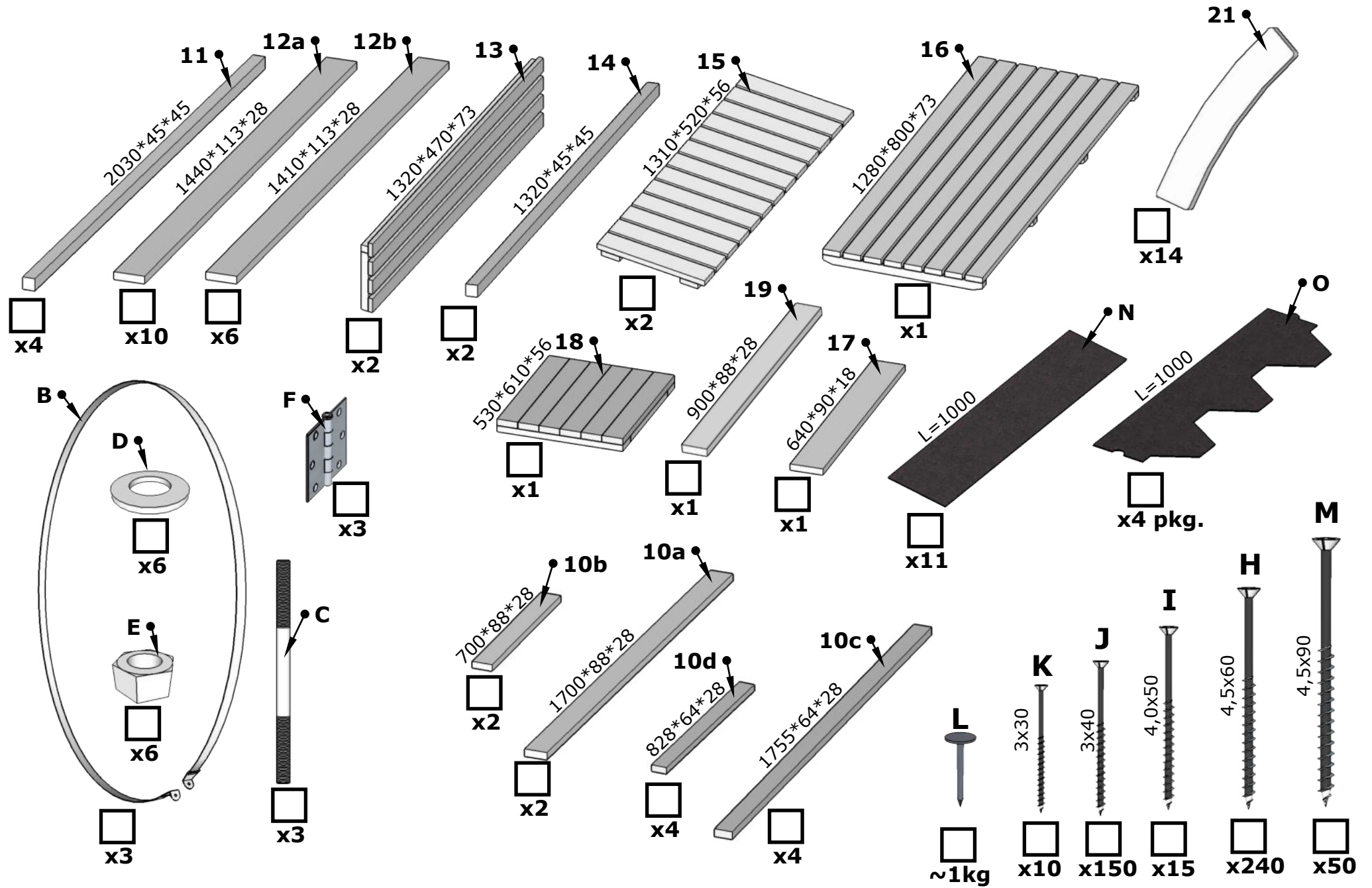
Camping Barrel 330, D 210

Details list nr.1



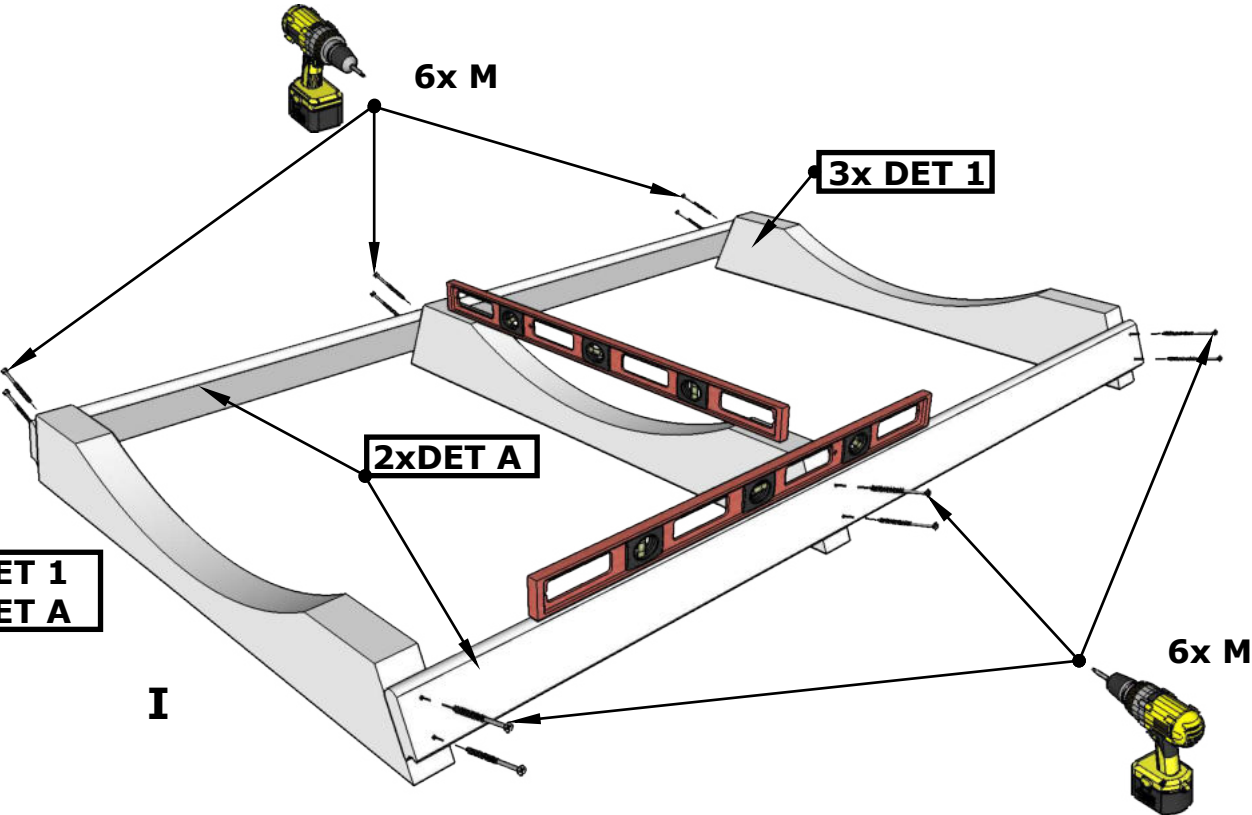
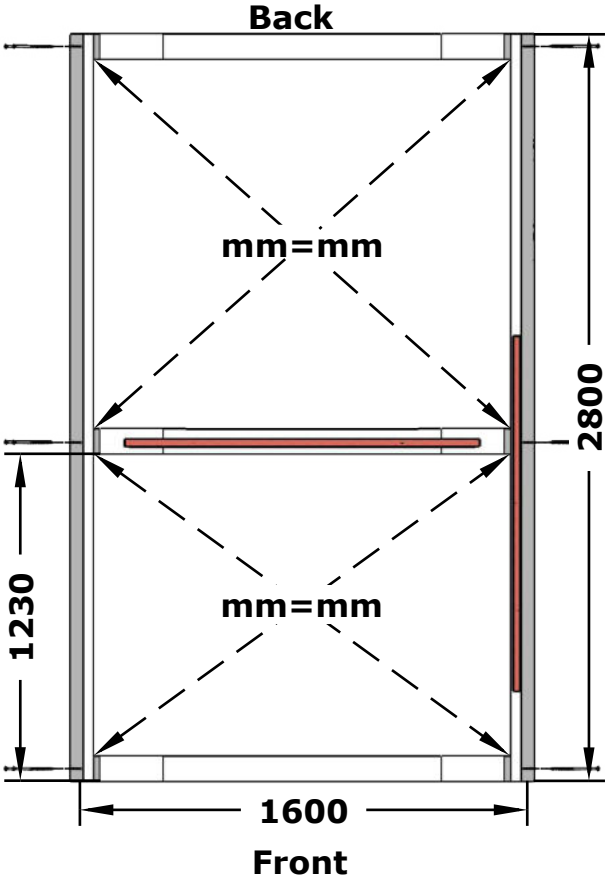
Camping Barrel 330, D 210

Details list nr.2



(TORK 001)

Camping 330, Ø210



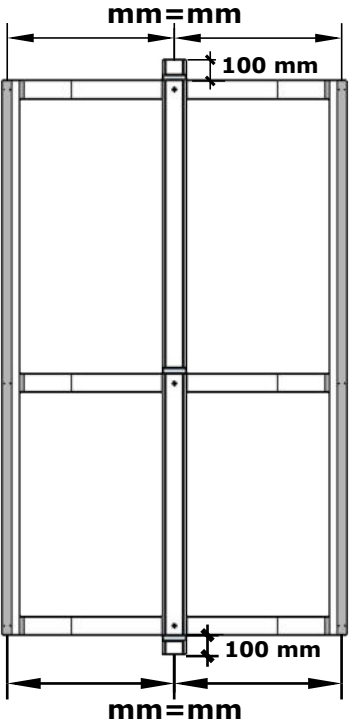
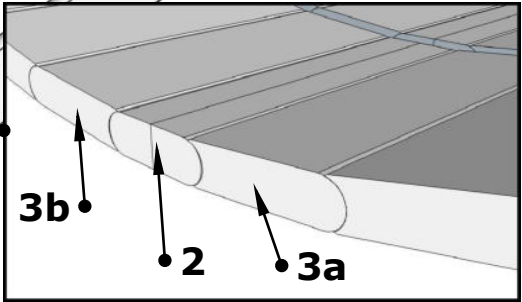
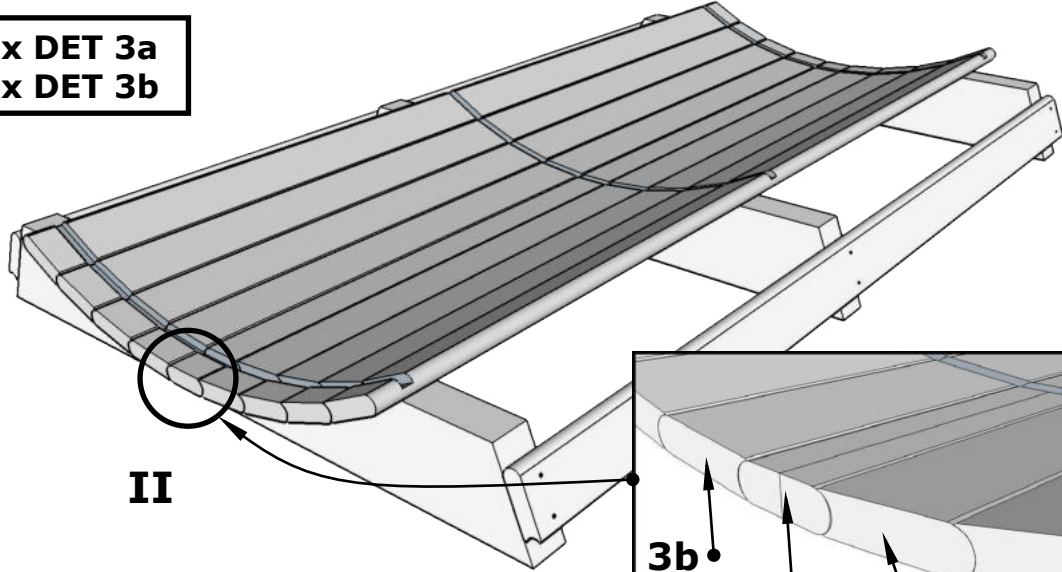
1.

(TORK 001)

Camping 330, Ø210



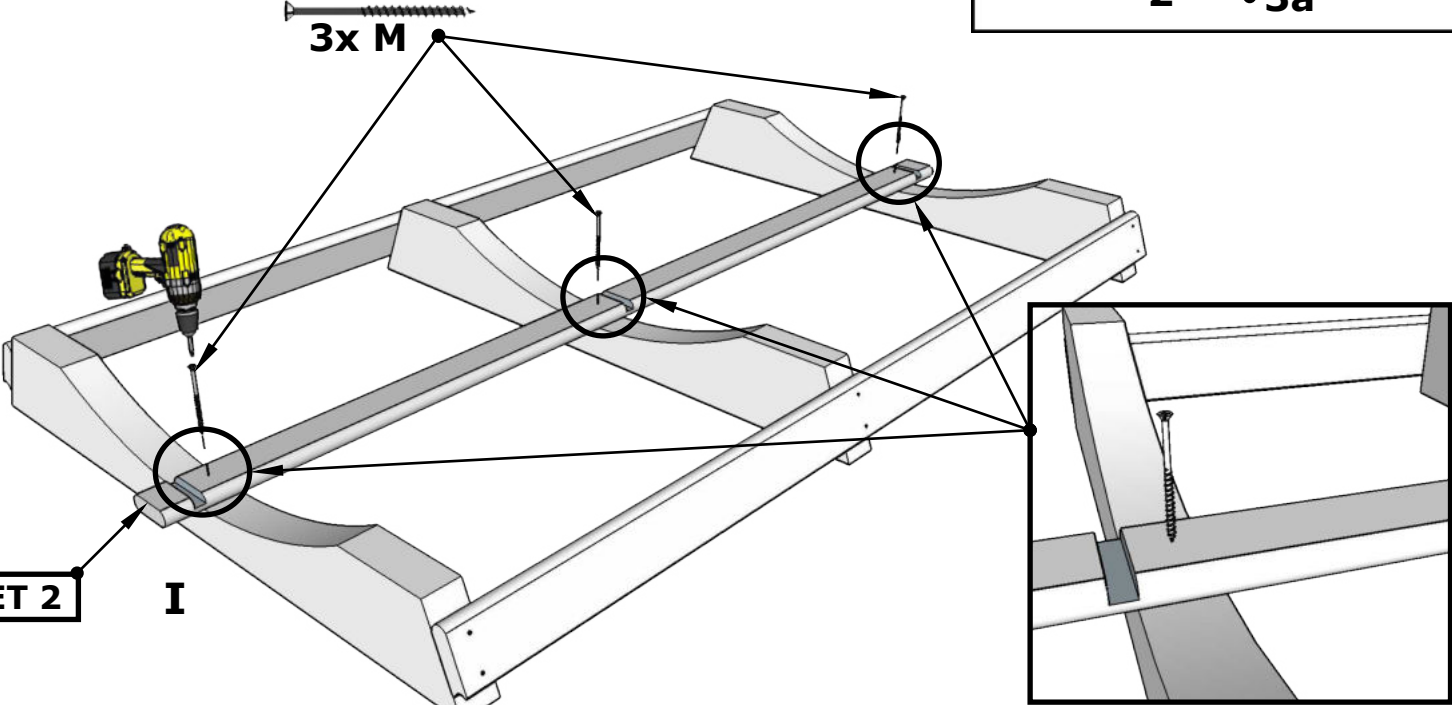
4 x DET 3a
4 x DET 3b



1xDET 2

I

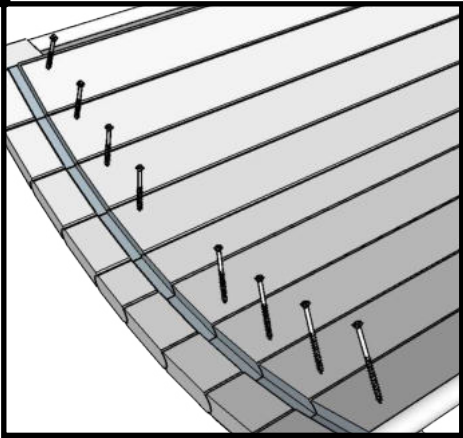
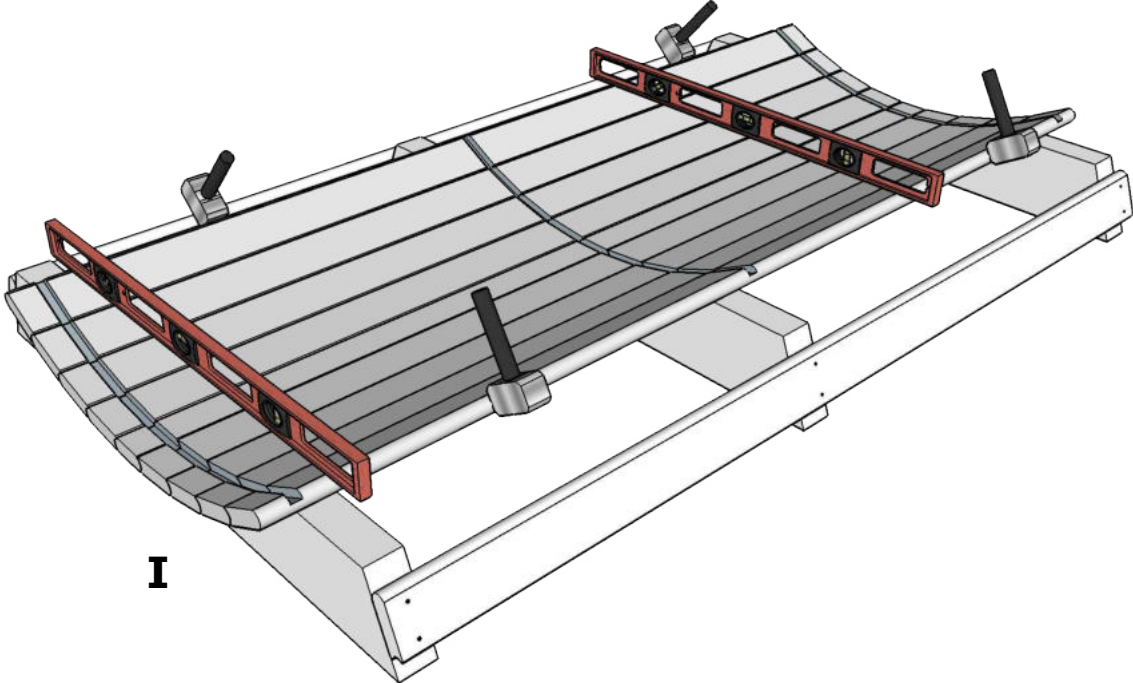
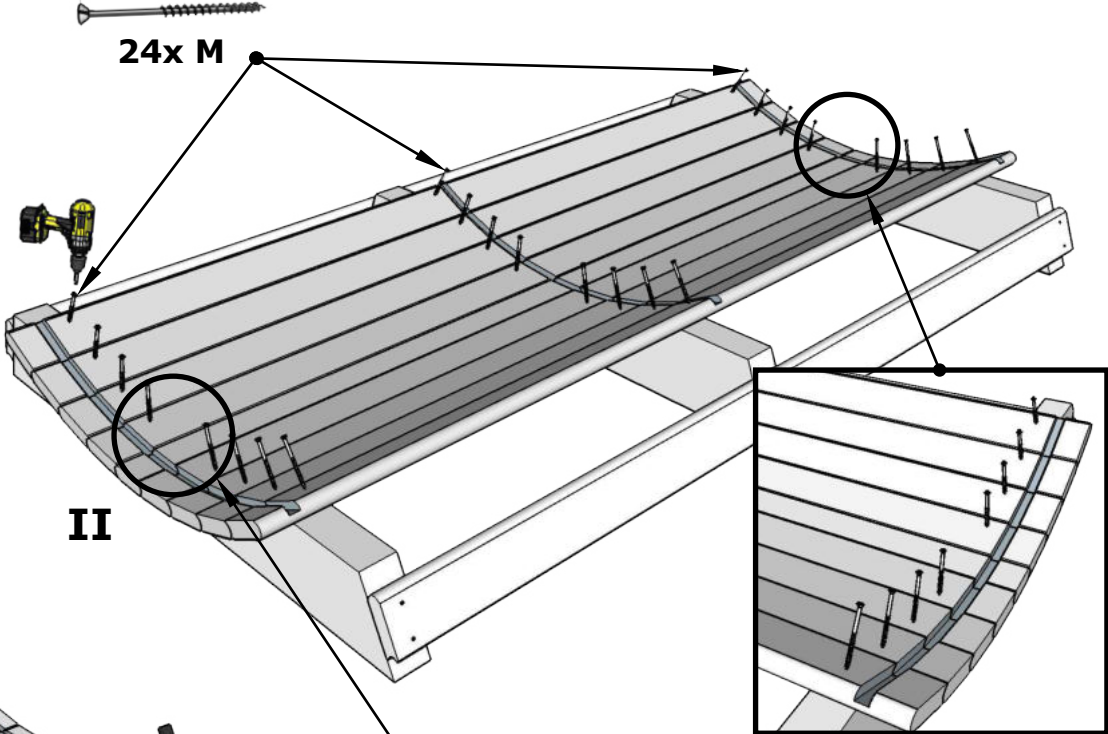
3x M



2.

(TORK 001)

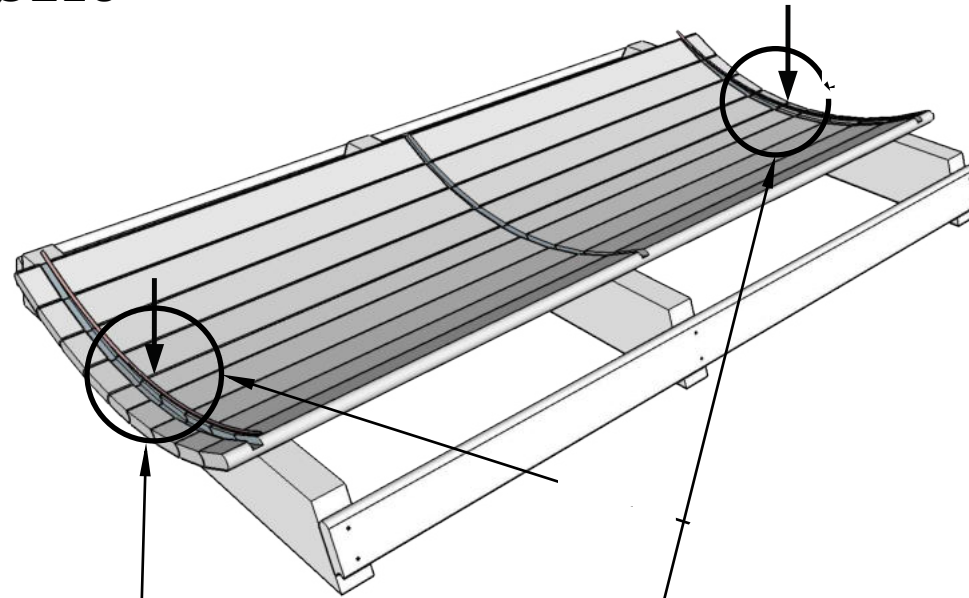
Camping 330, Ø210



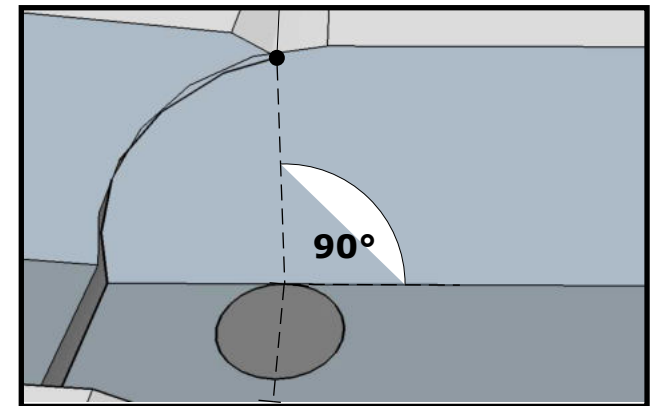
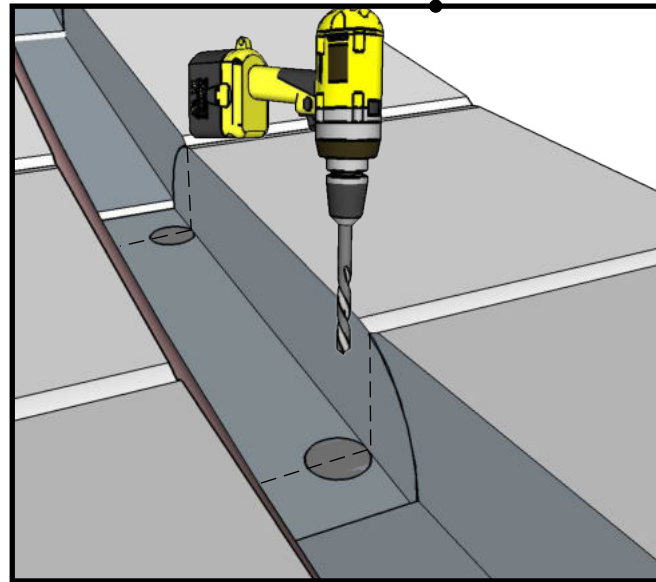
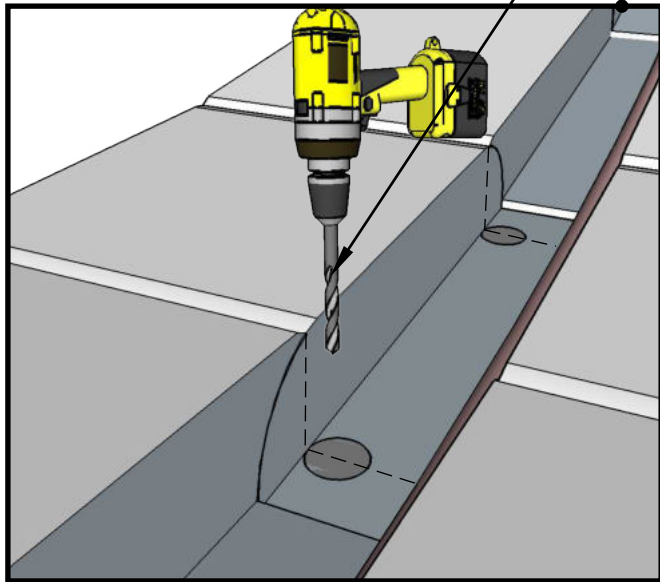
3.

(TORK 001)

Camping 330, Ø210



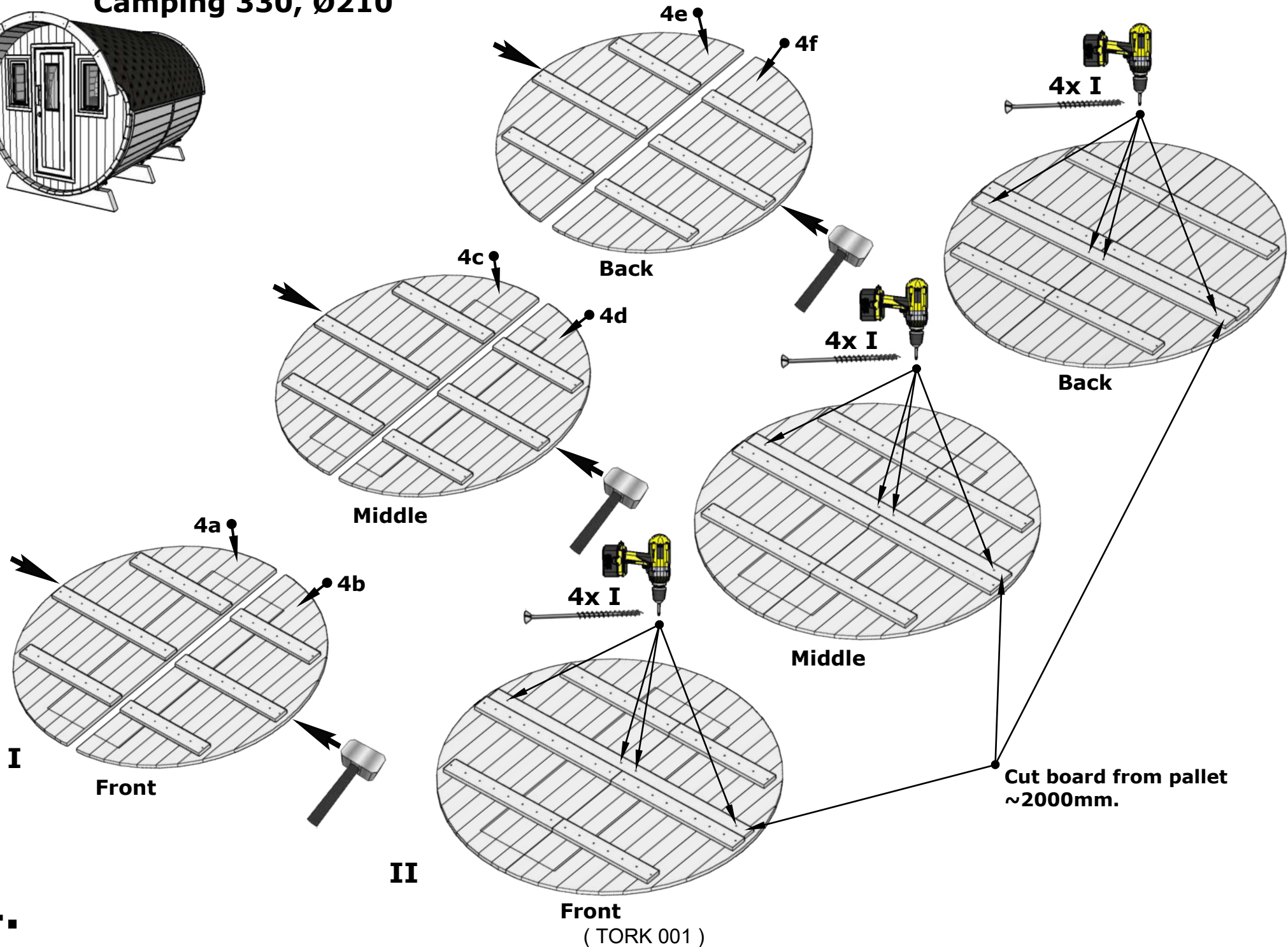
Drill 4 holes
in DET 2 Ø10 mm



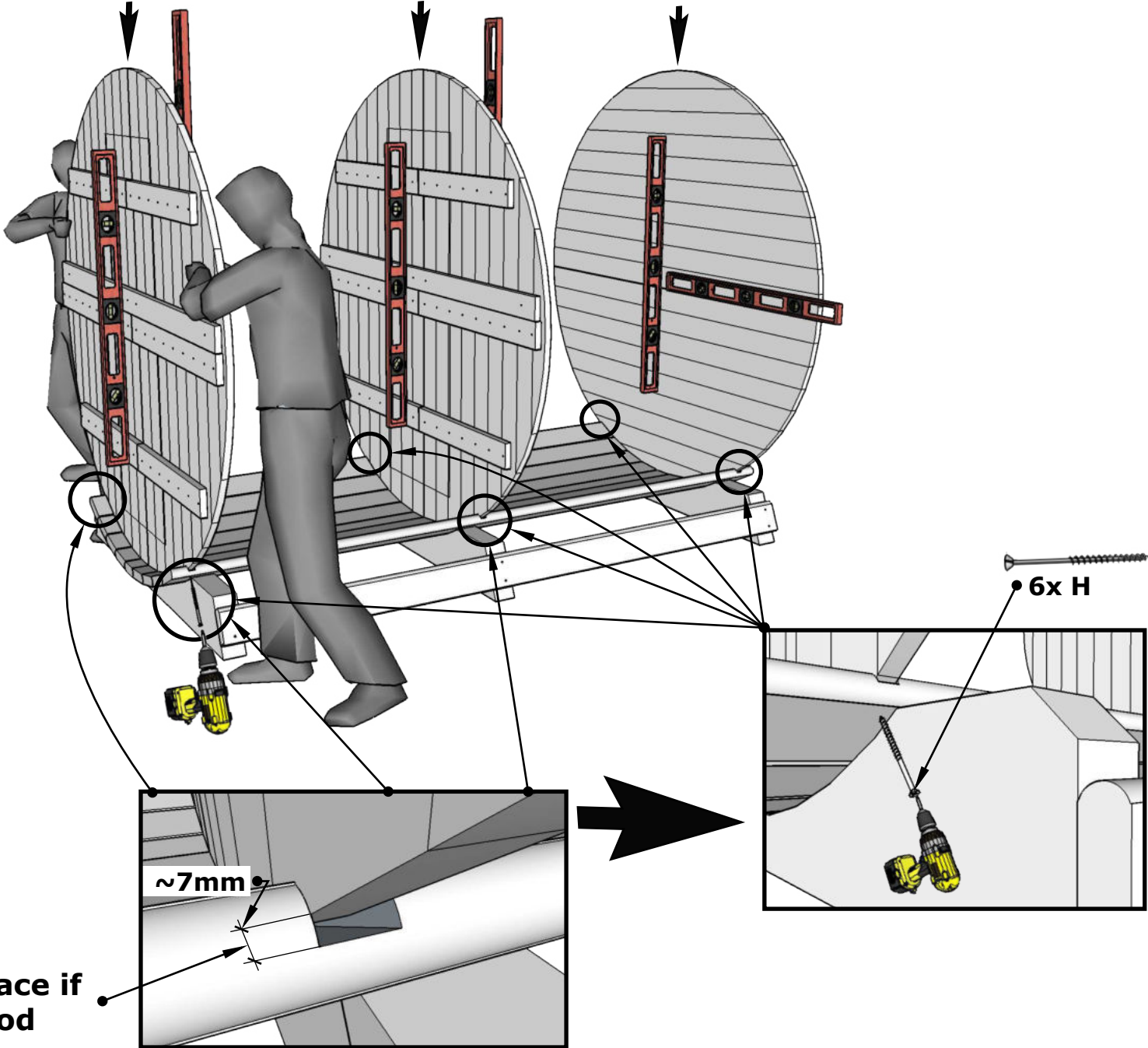
3A.

(TORK 001)

Camping 330, Ø210



Camping 330, Ø210



NB! Don't leave space if using thermo wood

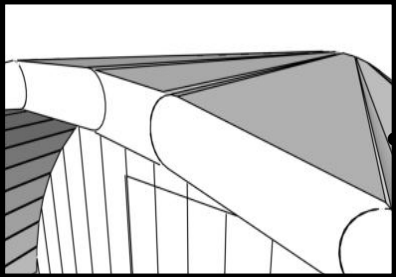
5.

(TORK 001)

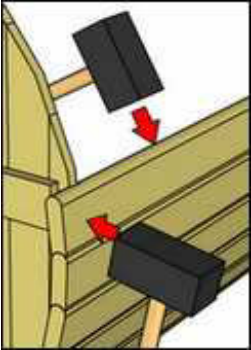
Camping 330, Ø210



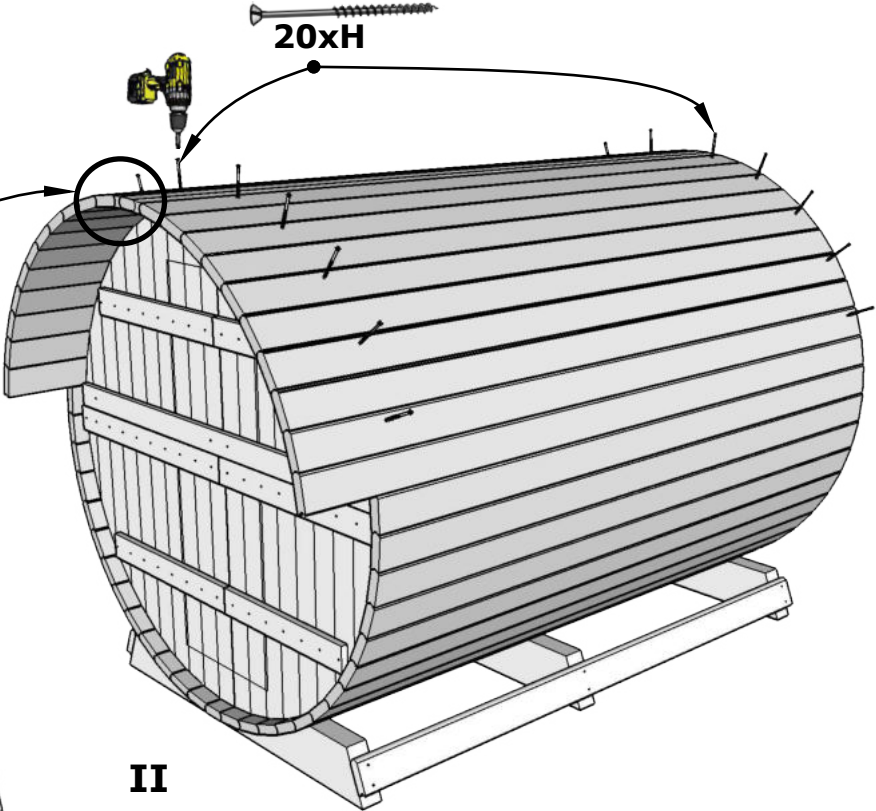
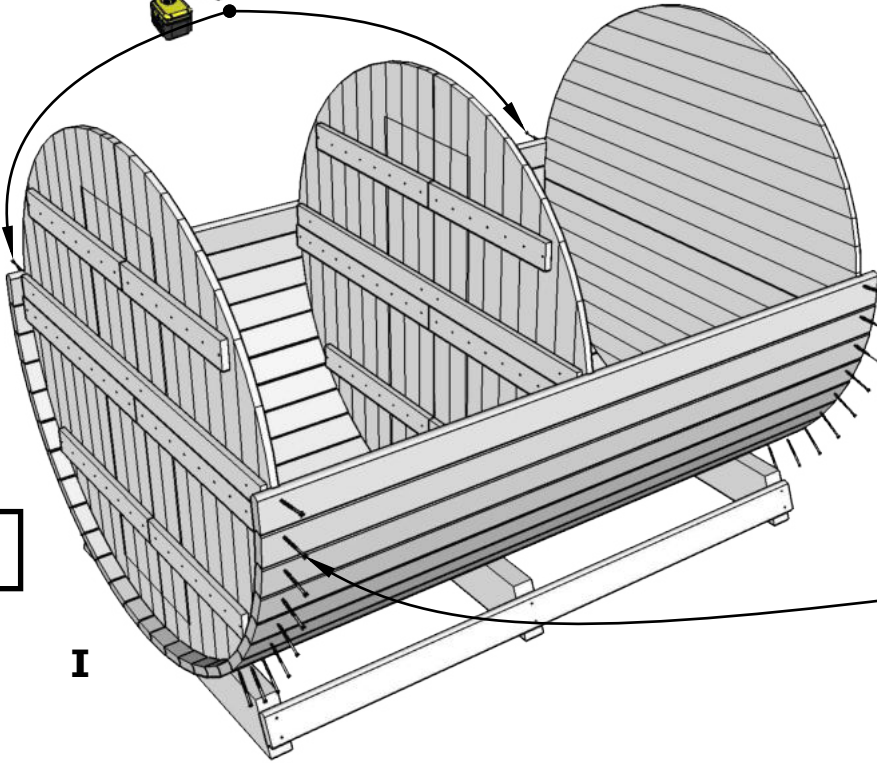
Watch Page 6A



12x DET 5b
11x DET 5a



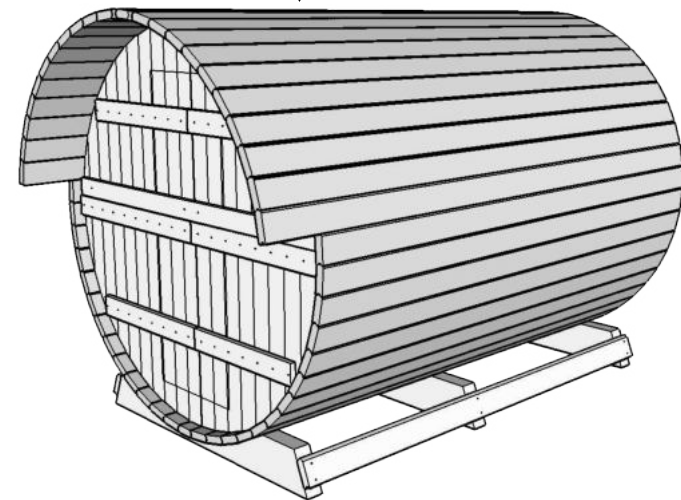
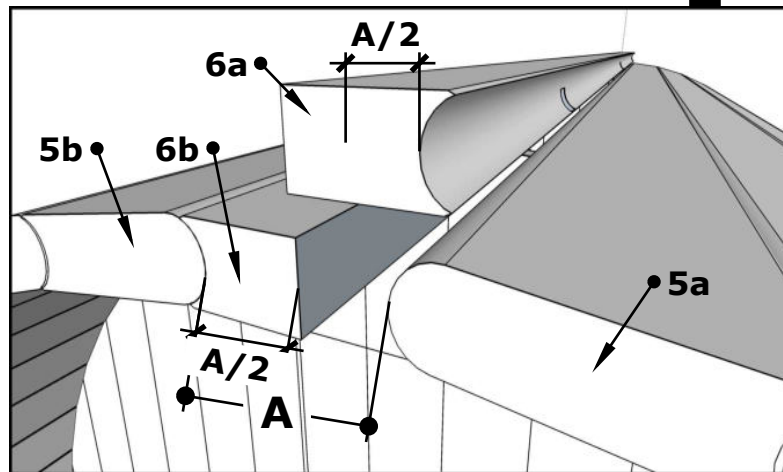
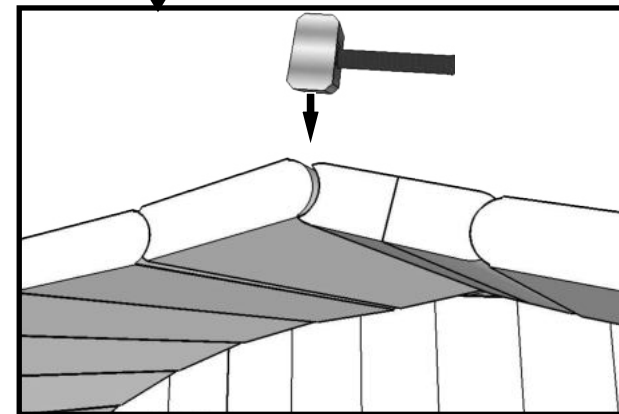
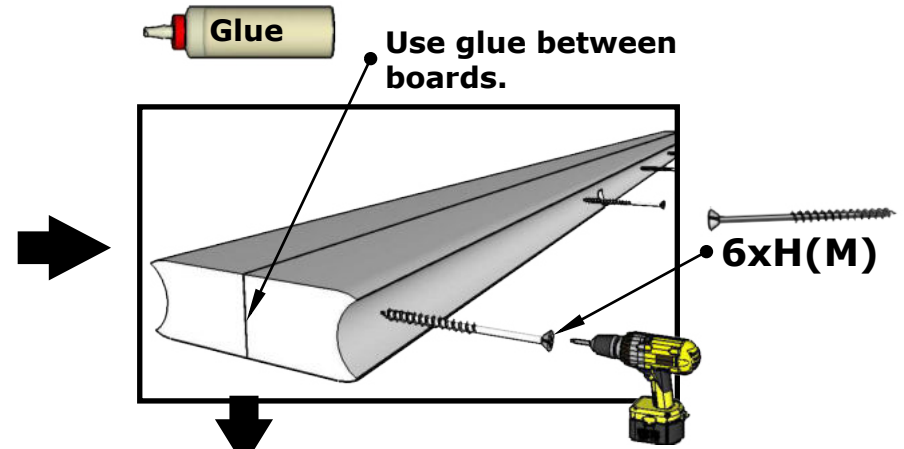
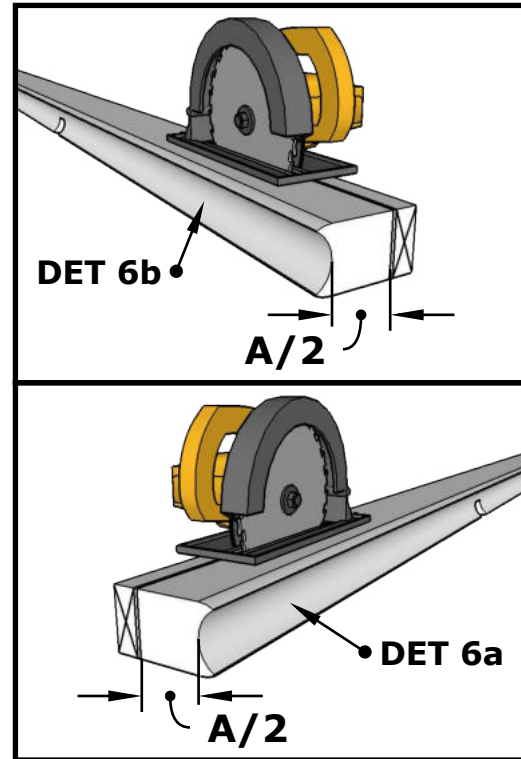
9x DET 3a
9x DET 3b



6.

(TORK 001)

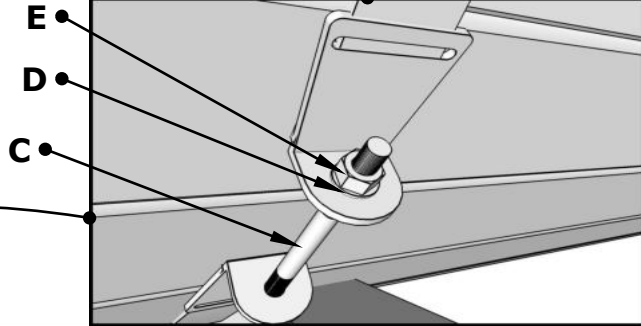
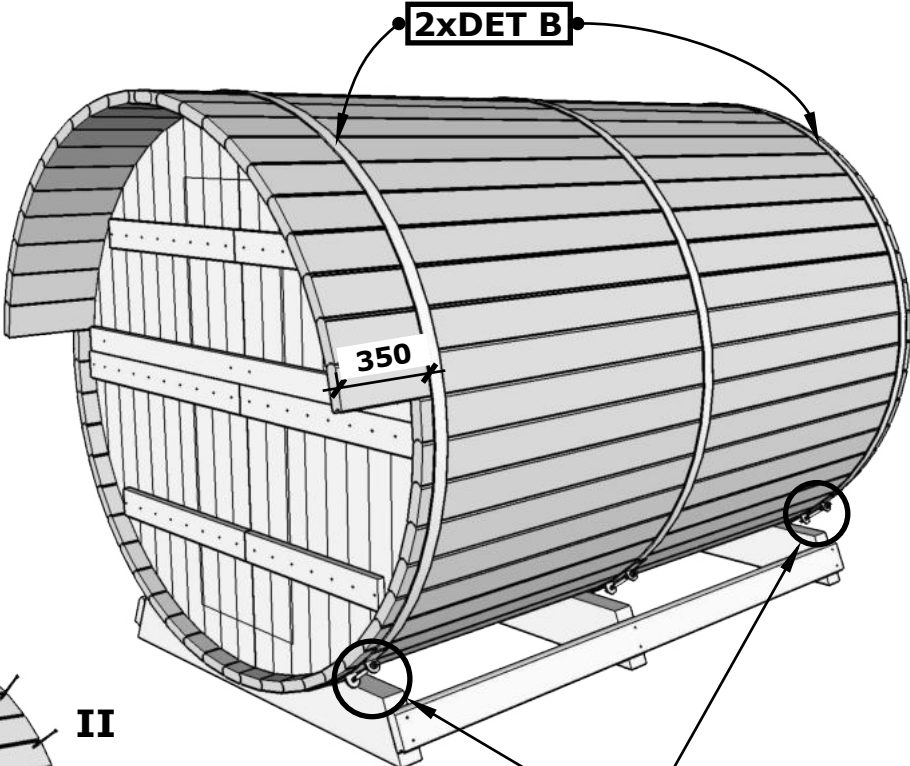
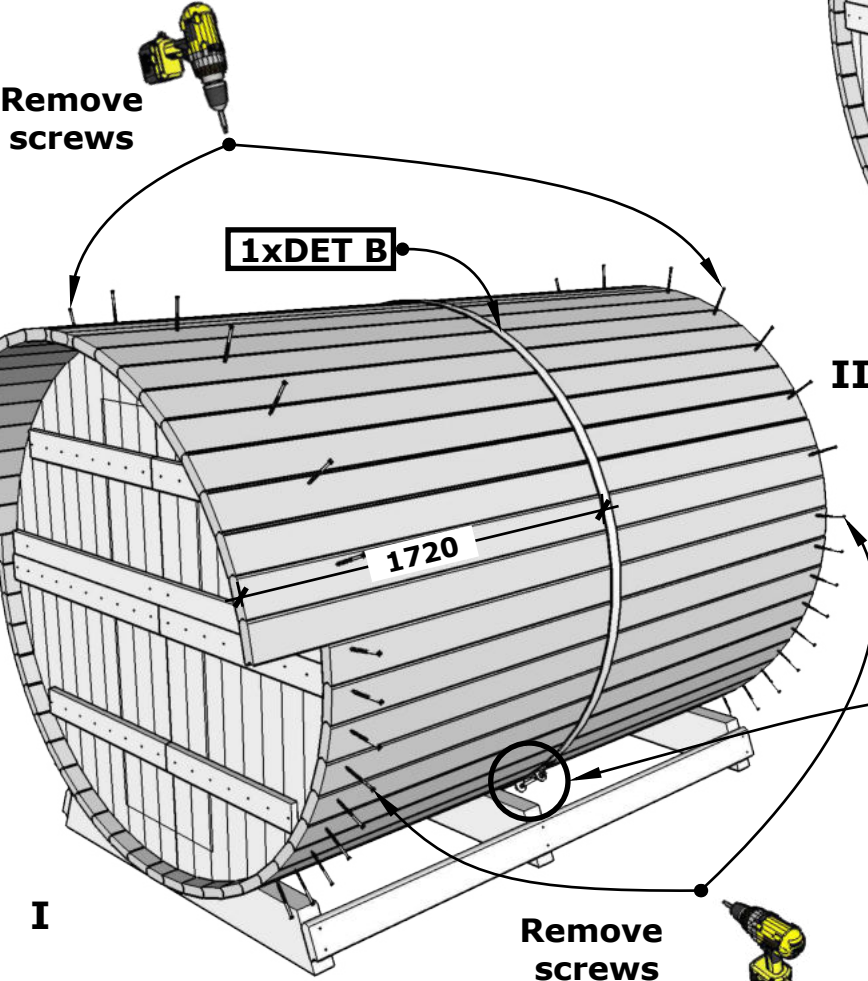
Camping 330, Ø210



6A.

(TORK 001)

Camping 330, Ø210



NB! Don't remove screws, if using thermo wood!

Remove screws



(TORK 001)

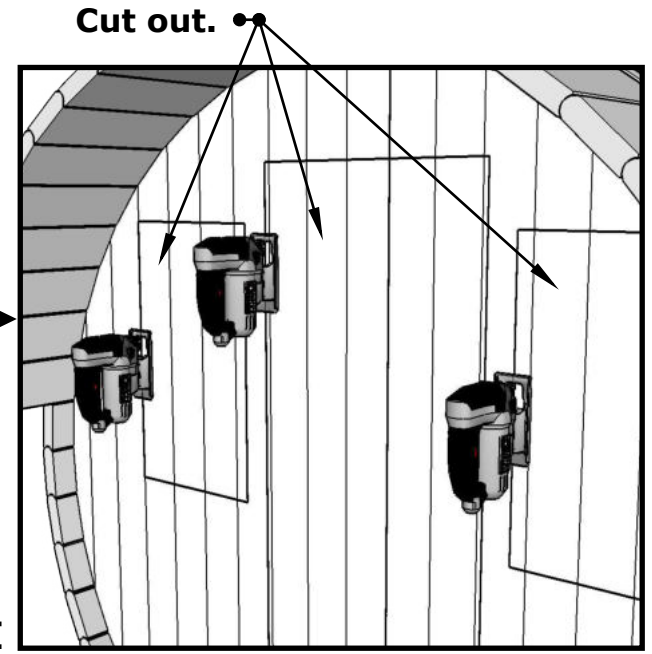
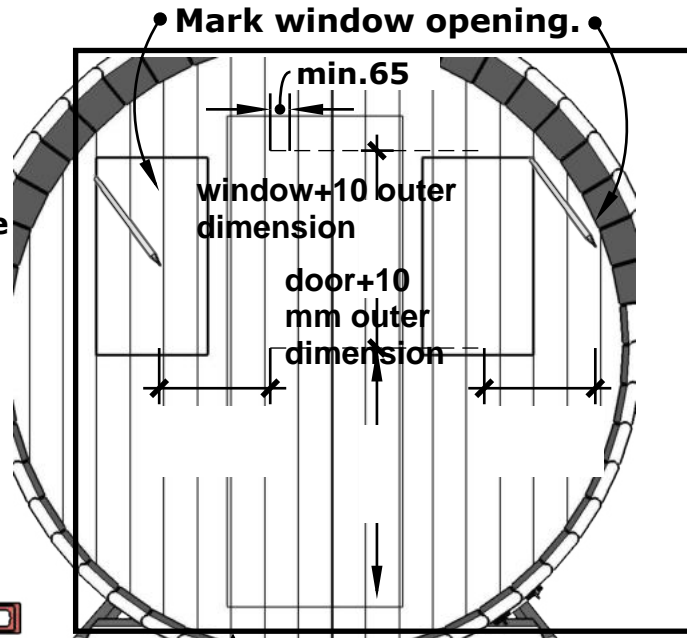
Camping 330, Ø210



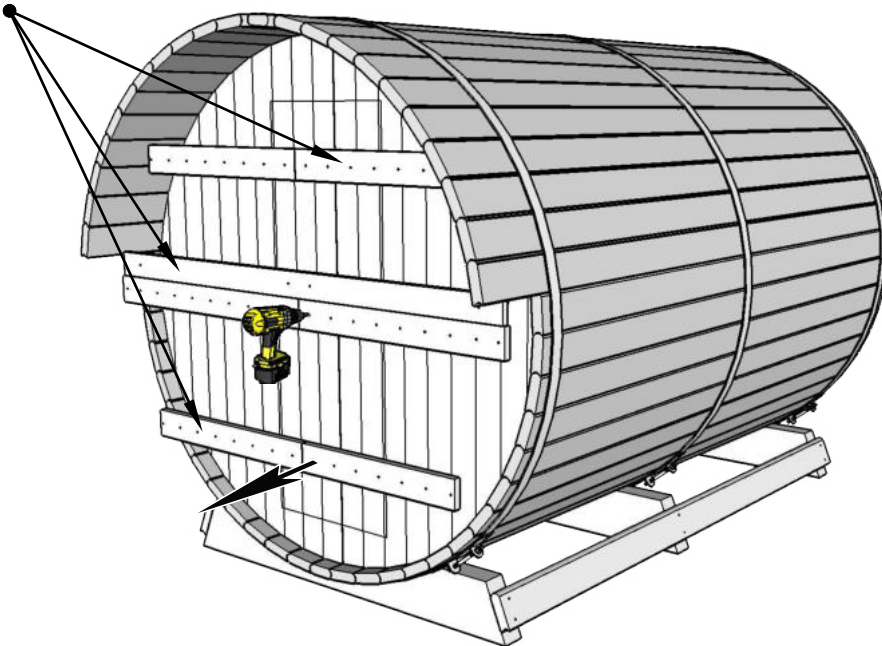
NB! Window size depending on your model.

NB! add 10 mm. outer dimension windows and door

NB! Use waterlevel.

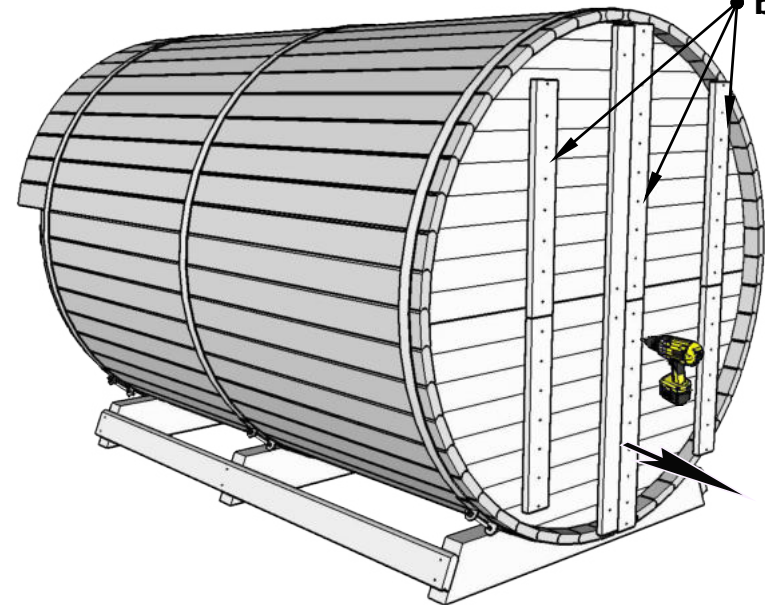


Remove all brackets



Remove all bracket

I



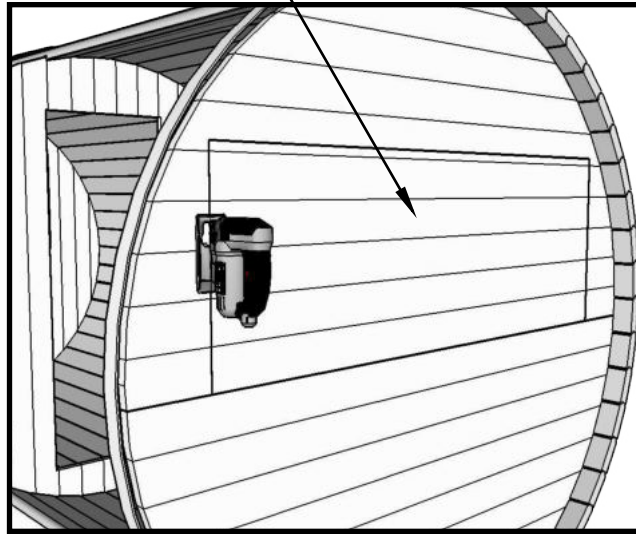
Camping 330, Ø210



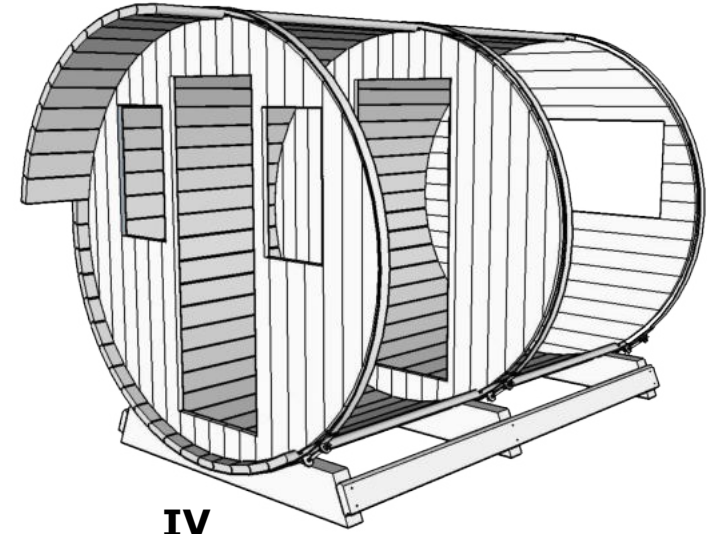
NB! Use waterlevel.



Cut out.

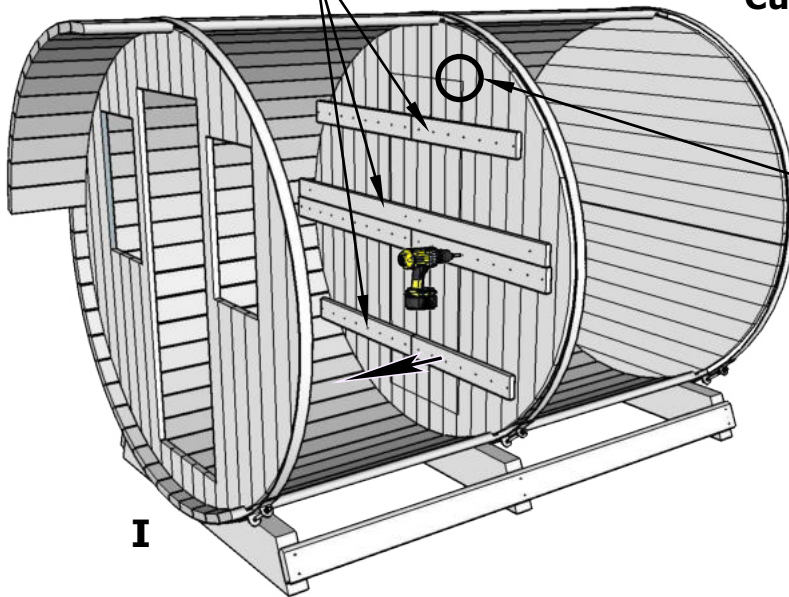


III



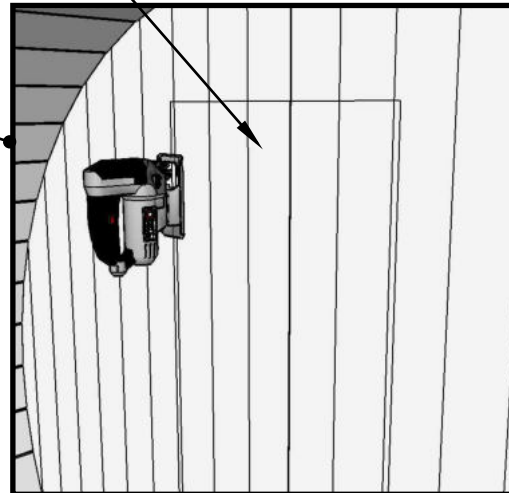
IV

Remove all brackets

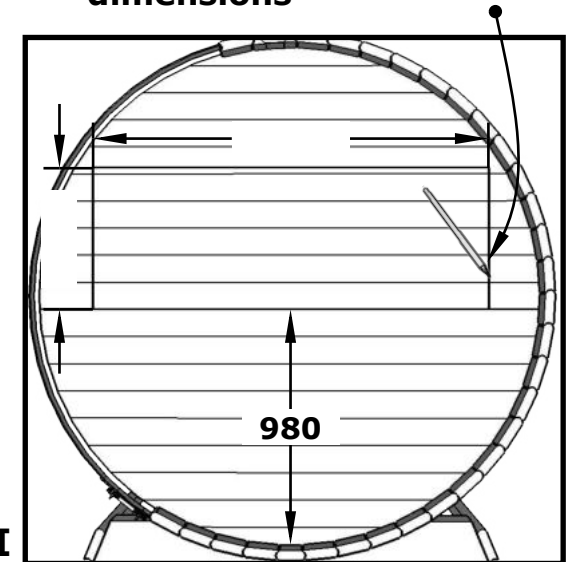


I

Cut out.



Mark window opening.
NB ! add 10 mm
window outer
dimensions



II

9.

(TORK 001)

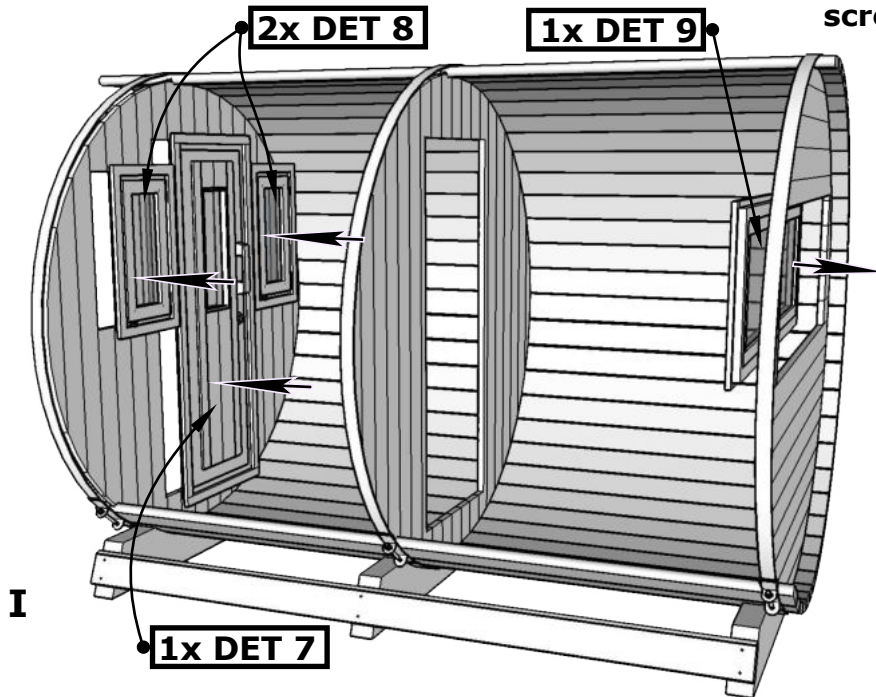
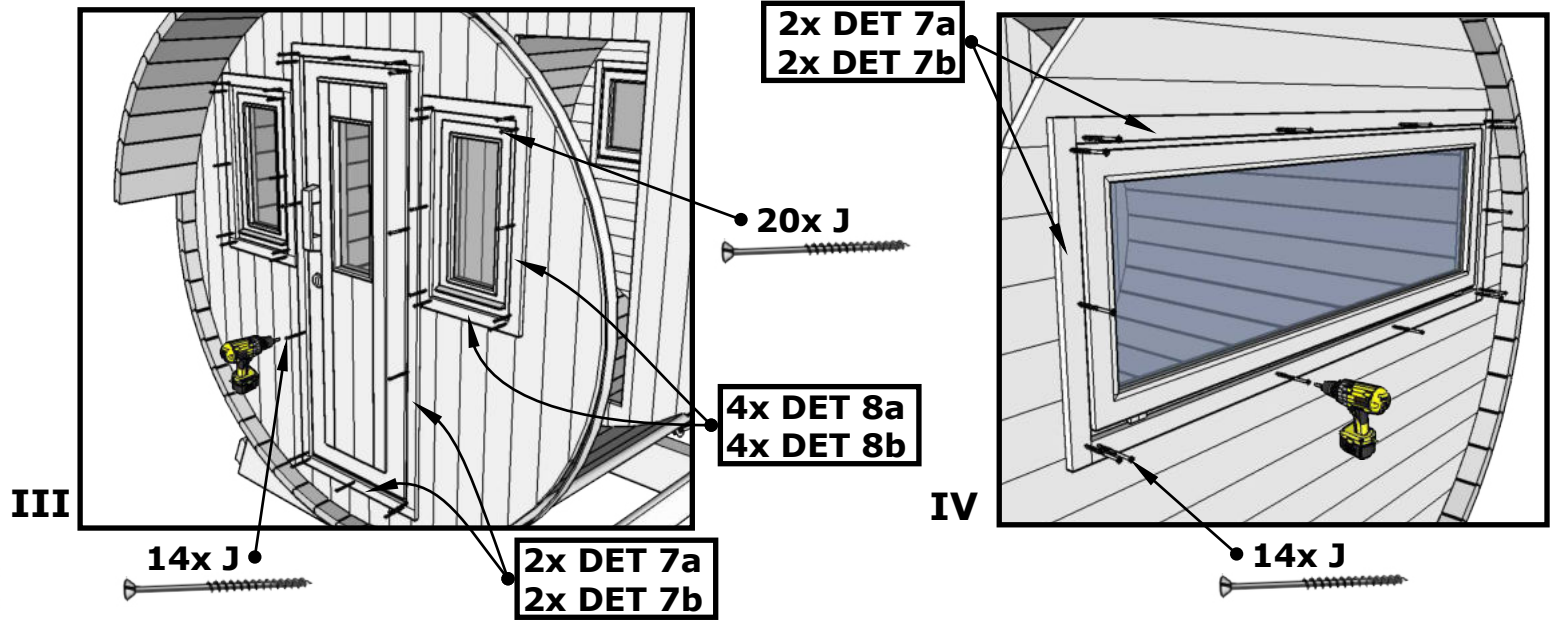
Camping 330, Ø210



NB! Use waterlevel for door and window install.

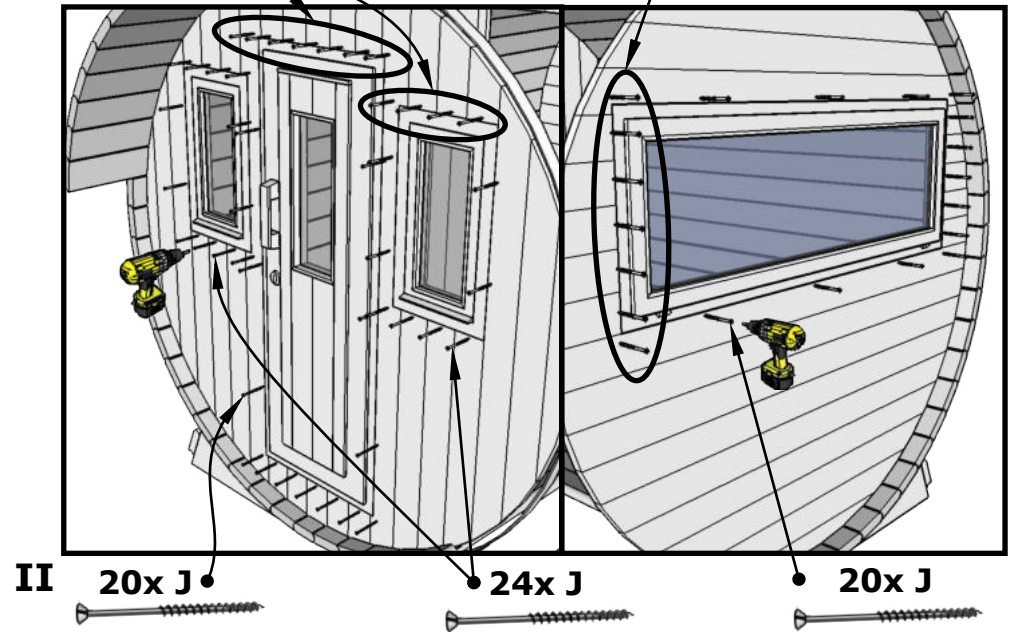


NB! Place door and windows from inside.

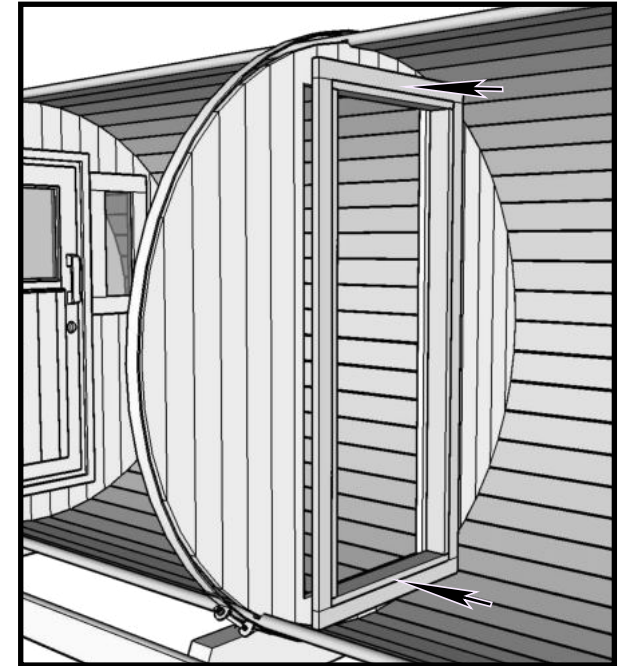
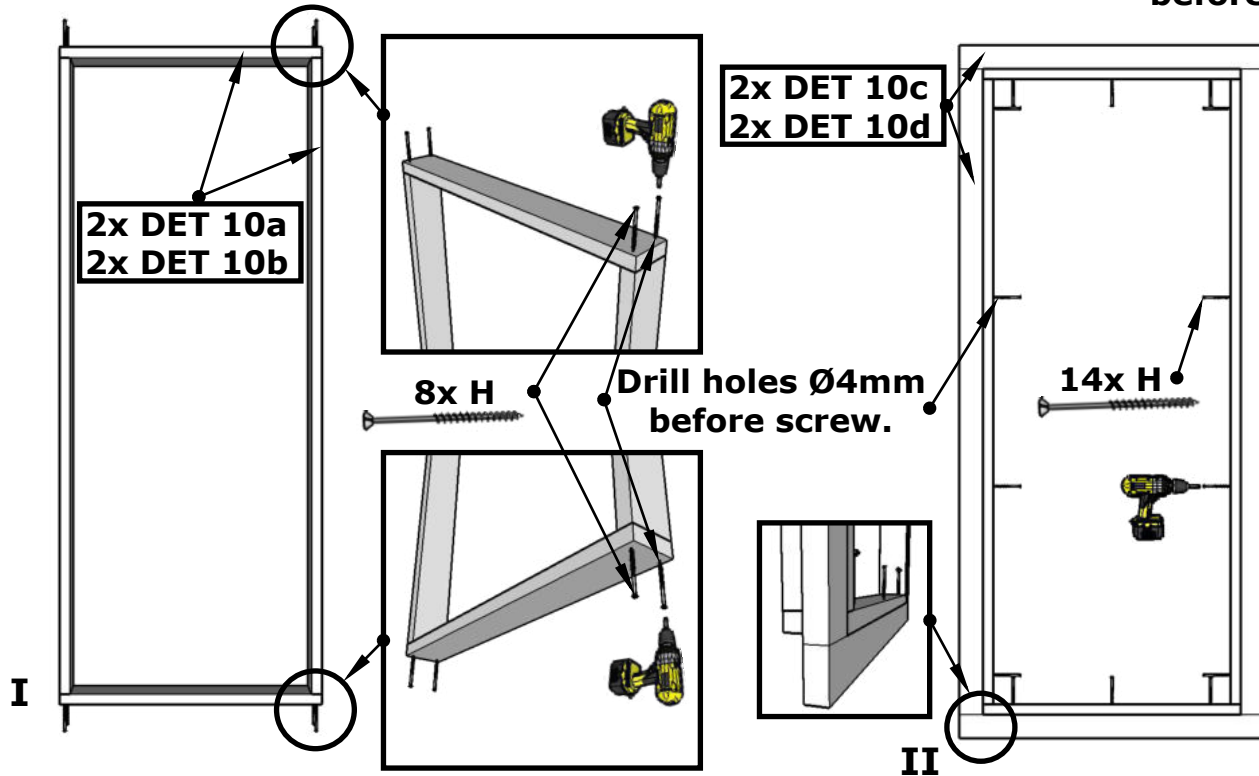
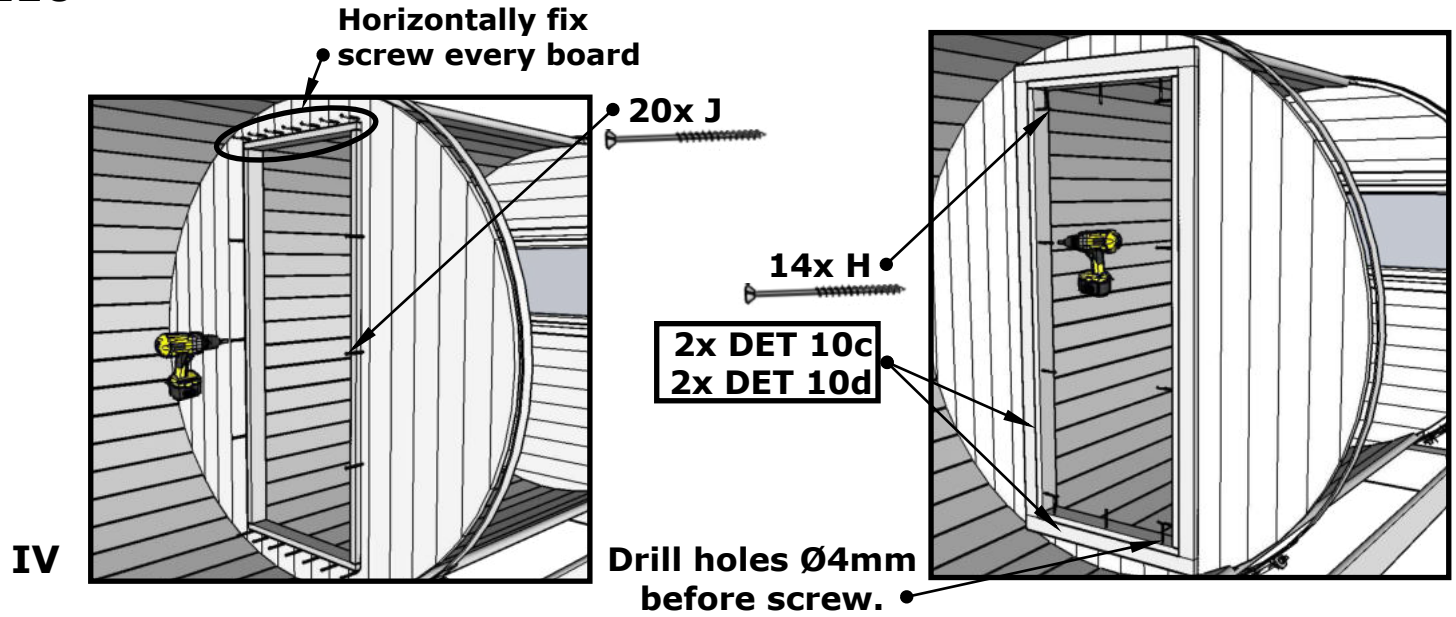


Horizontally fix screw in every board

Vertically fix screw in every board

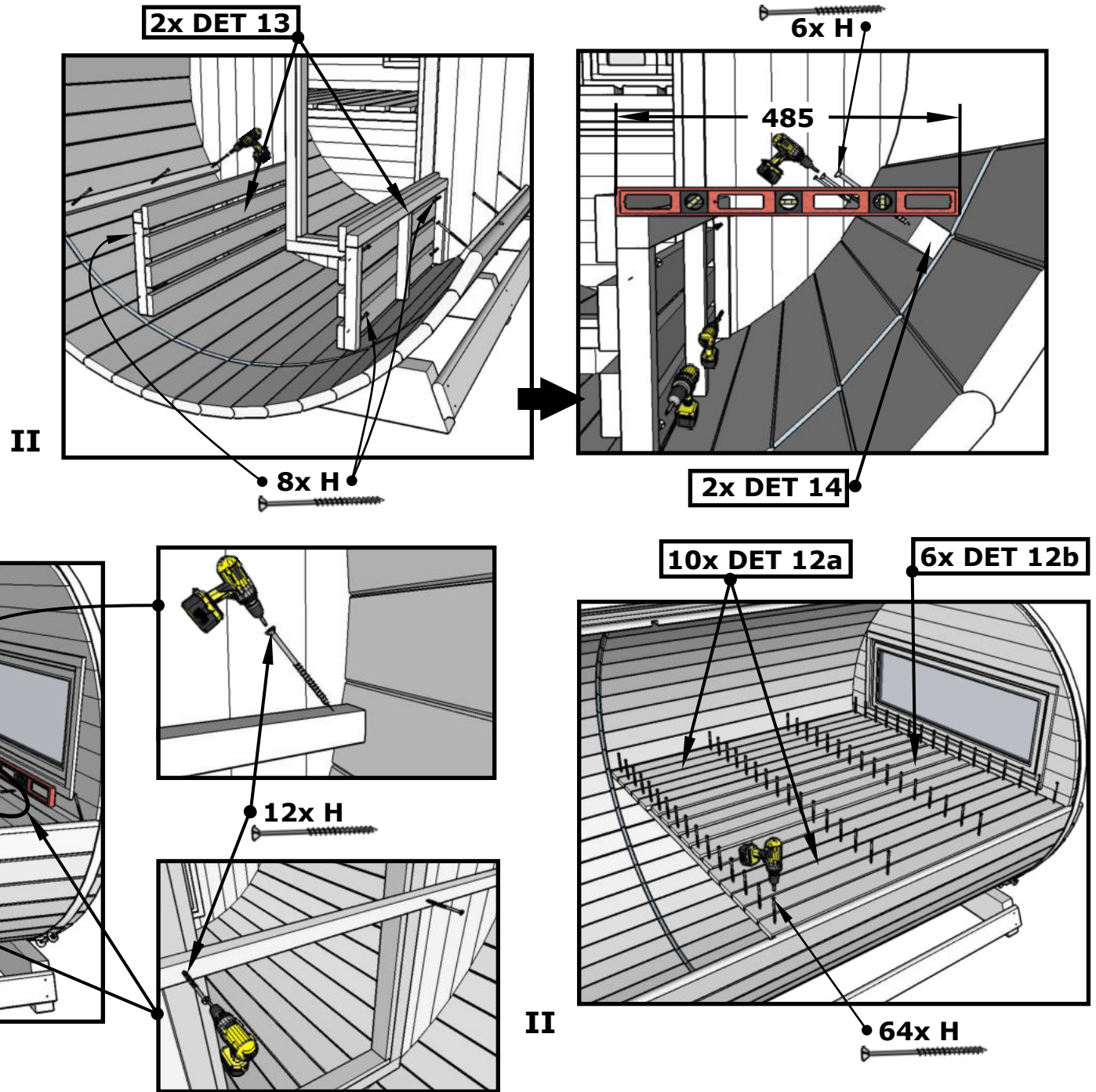


Camping 330, Ø210



11.

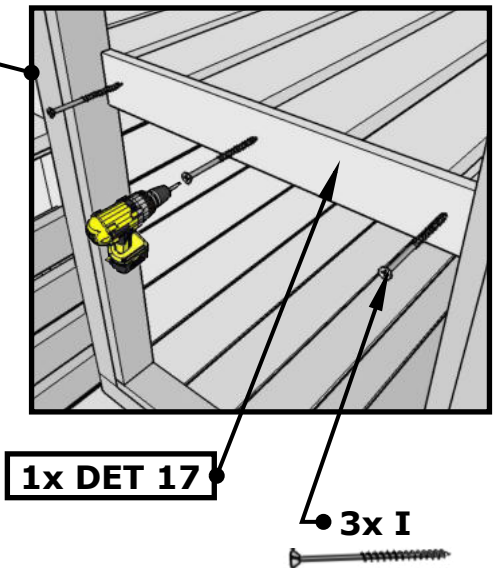
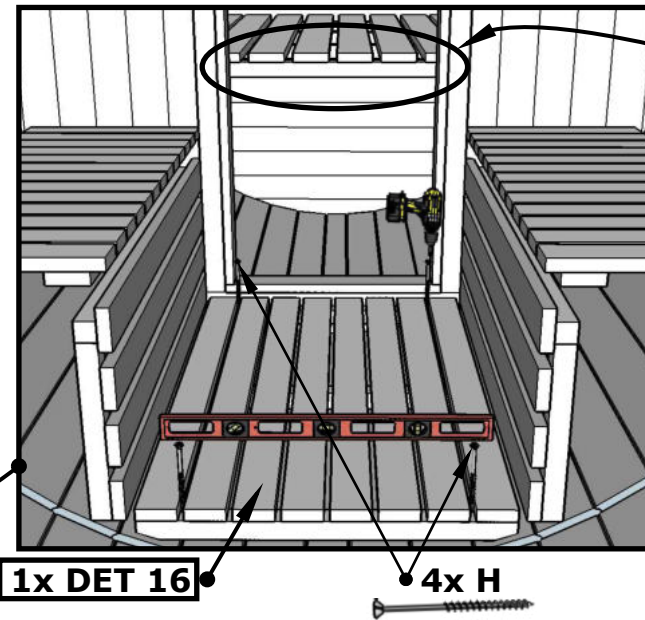
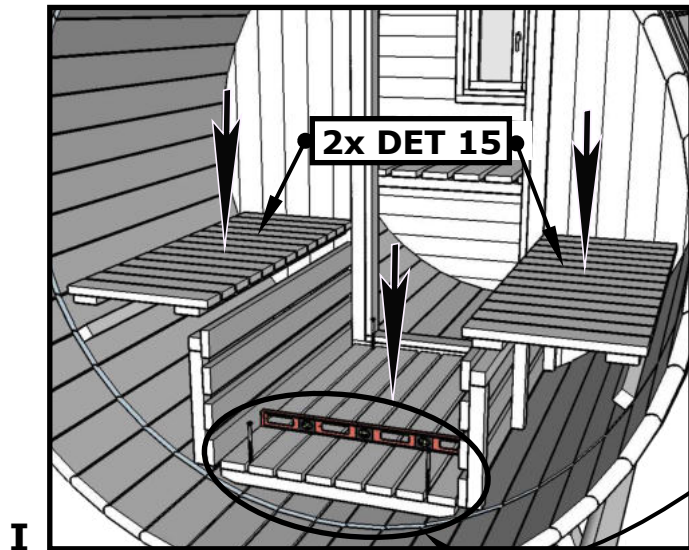
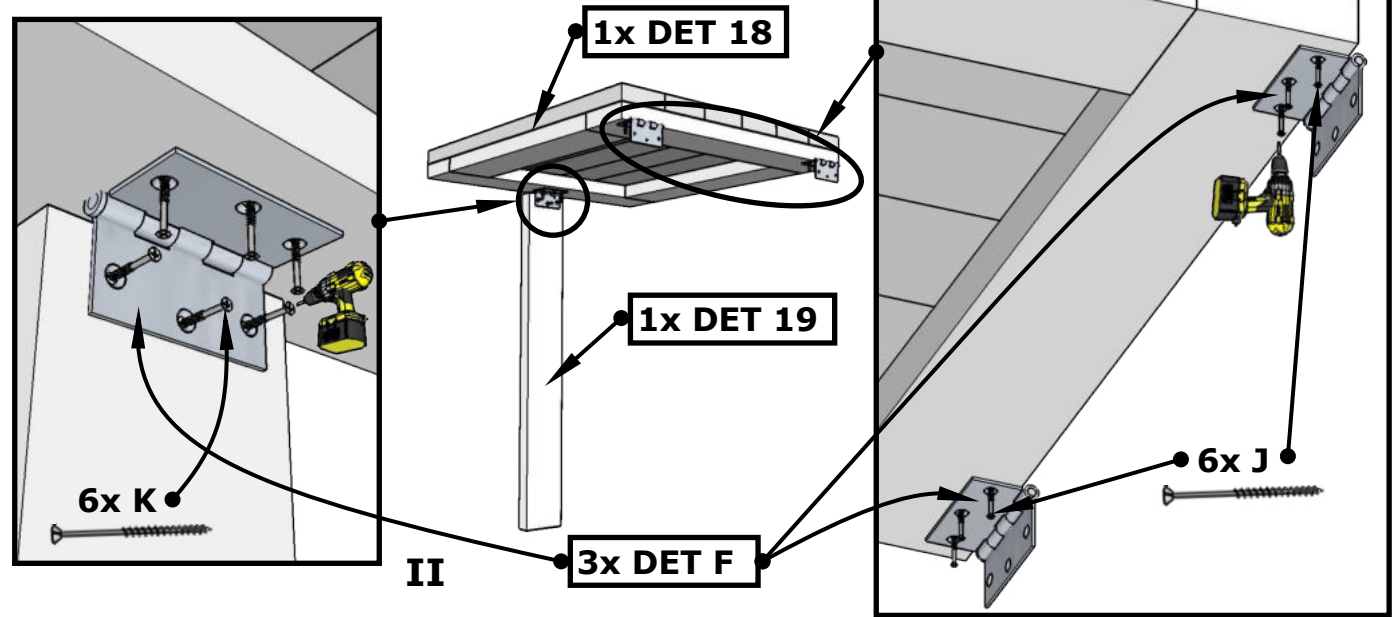
Camping 330, Ø210



12.

(TORK 001)

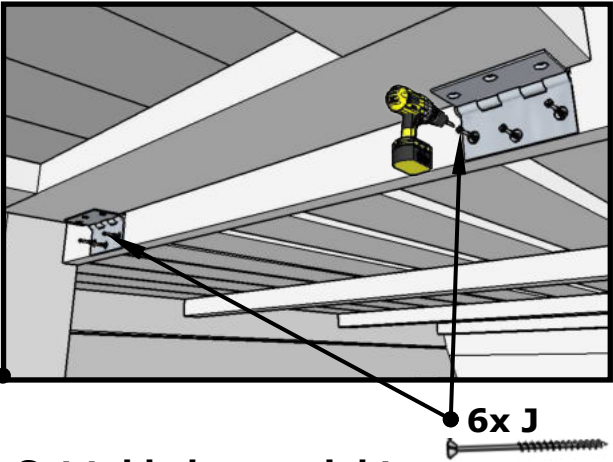
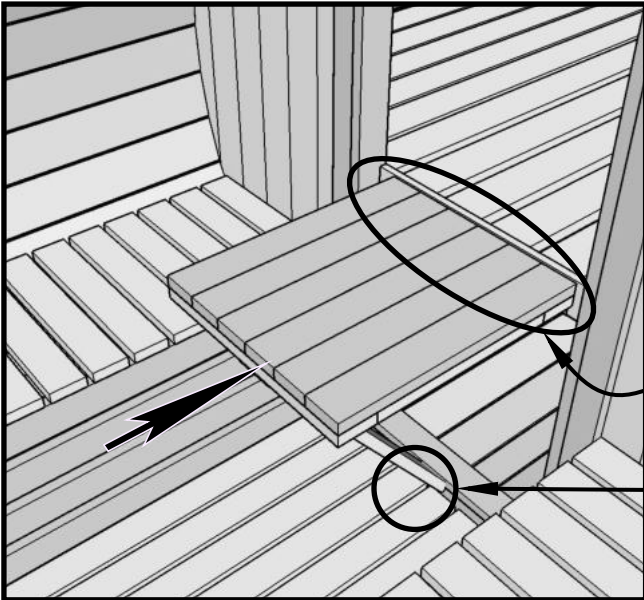
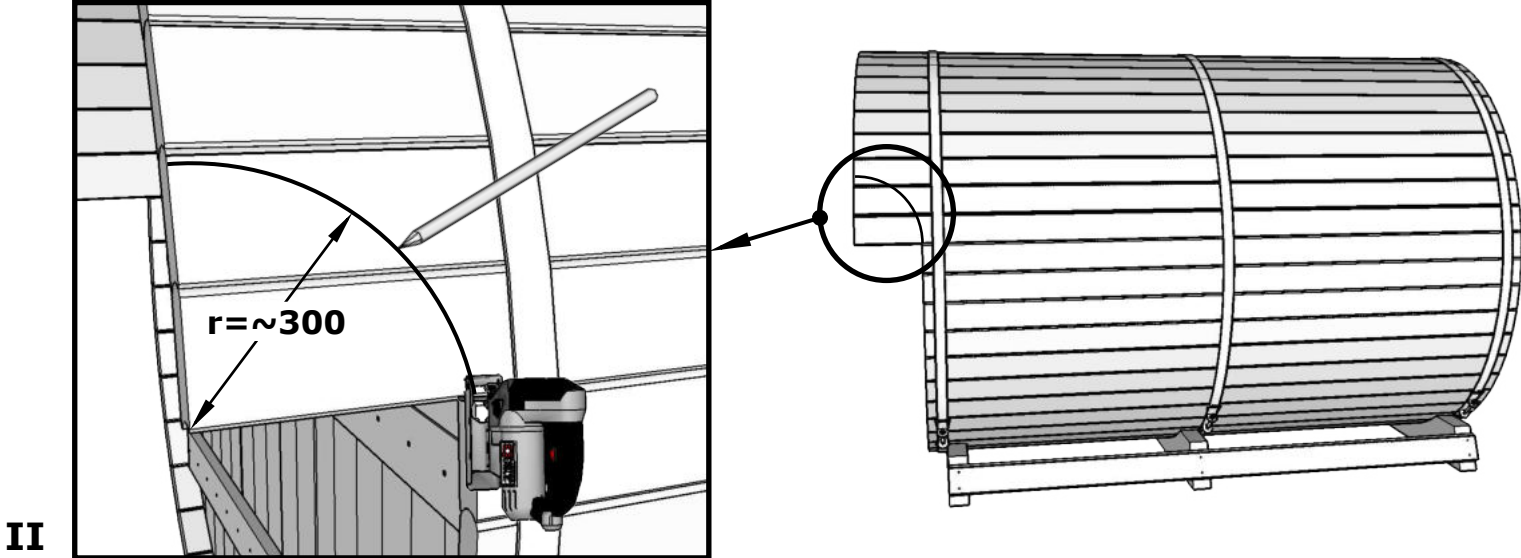
Camping 330, Ø210



13.

(TORK 001)

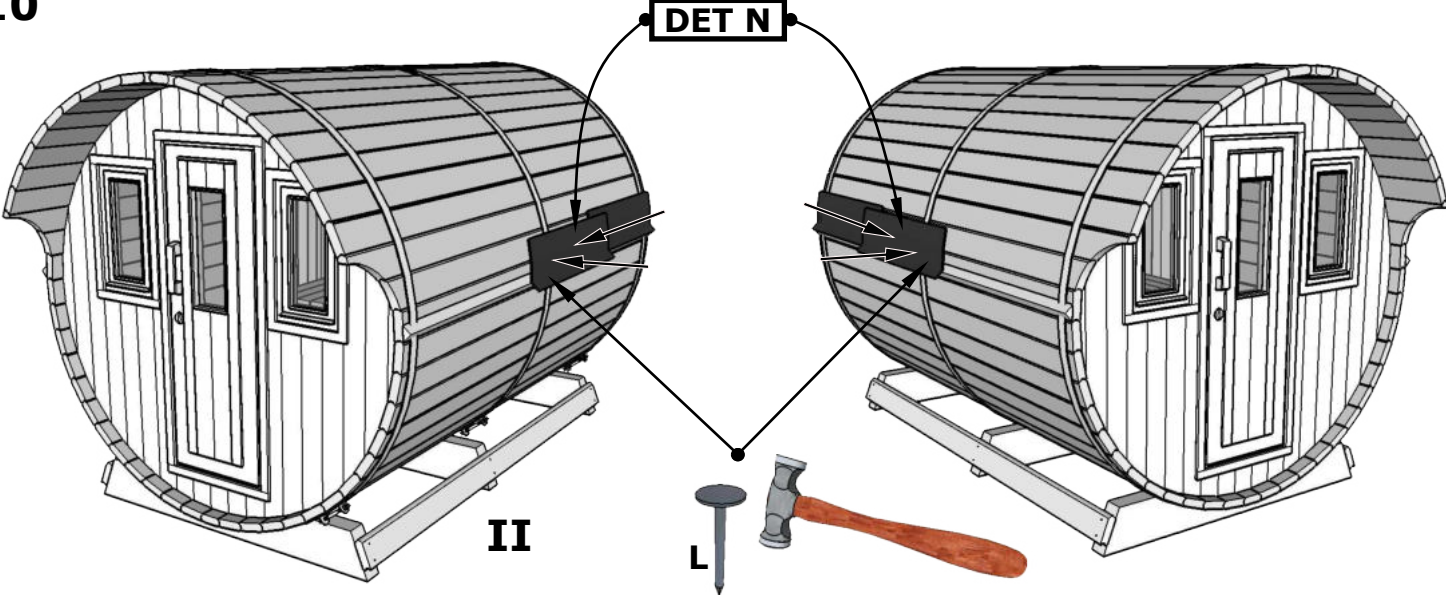
Camping 330, Ø210



Cut table leg on right size, if necessary.

I

Camping 330, Ø210

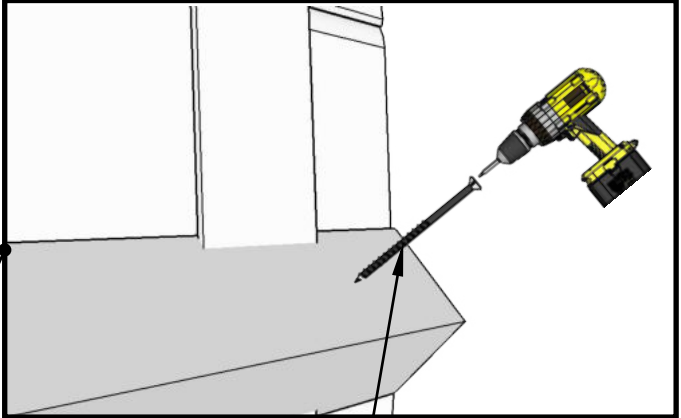
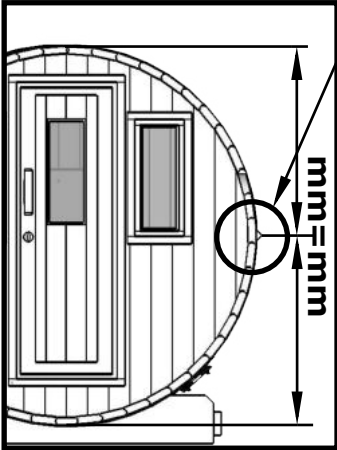


II



I

2xDET 20

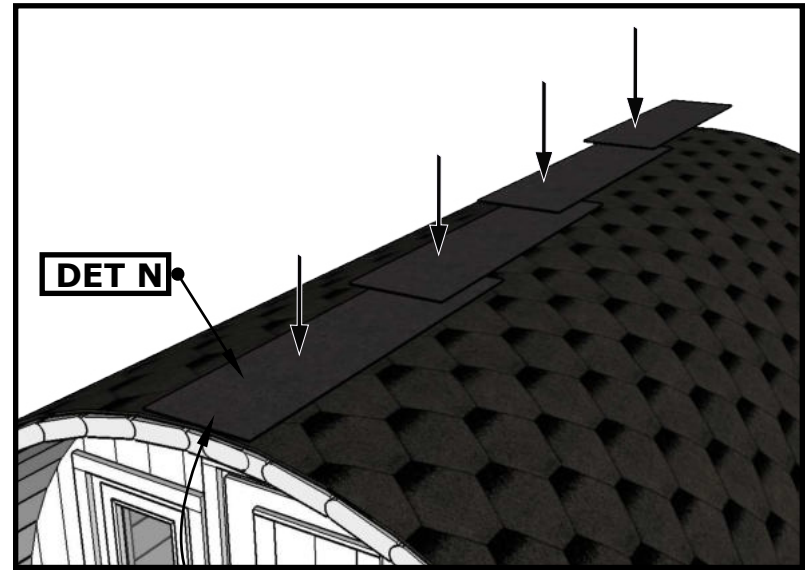


10x H

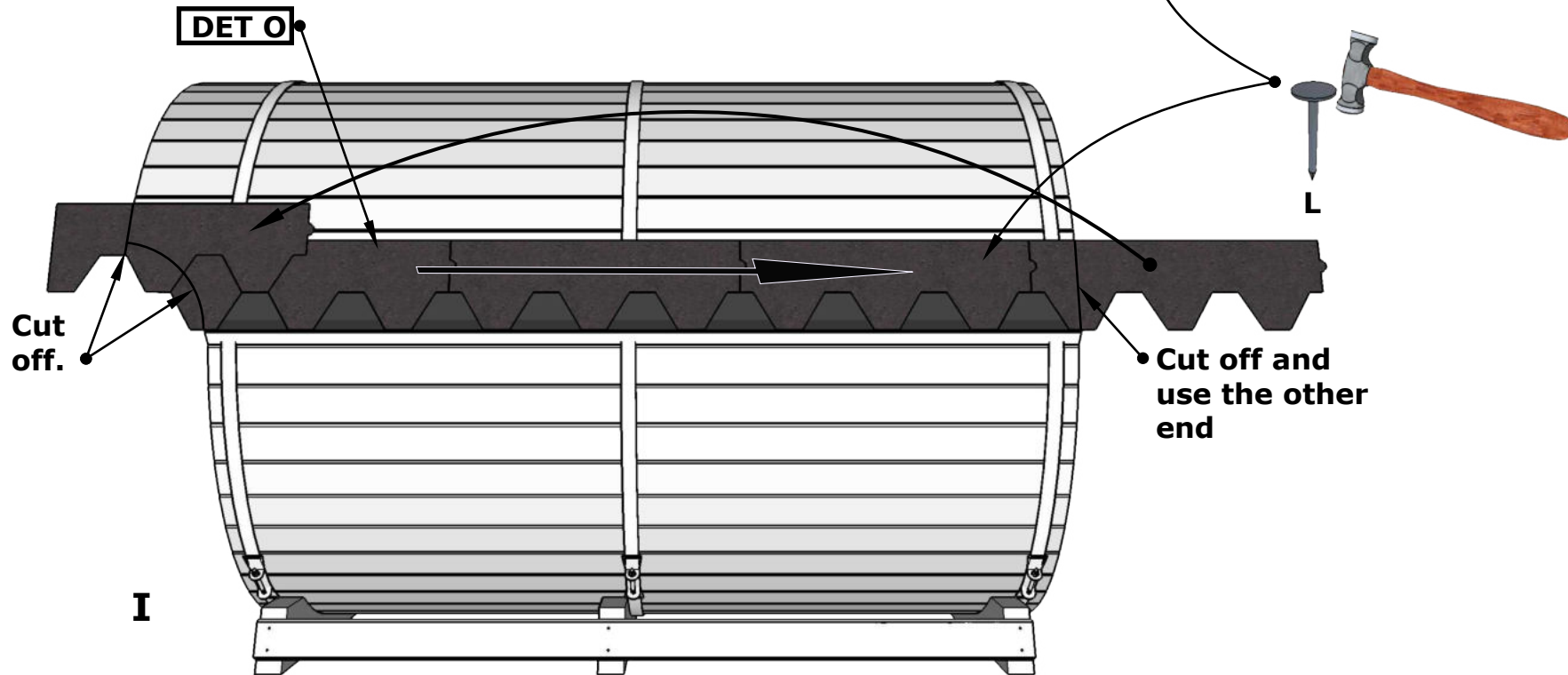
Camping 330, Ø210



NB! Check also shingles installation manual inside shingles packages.

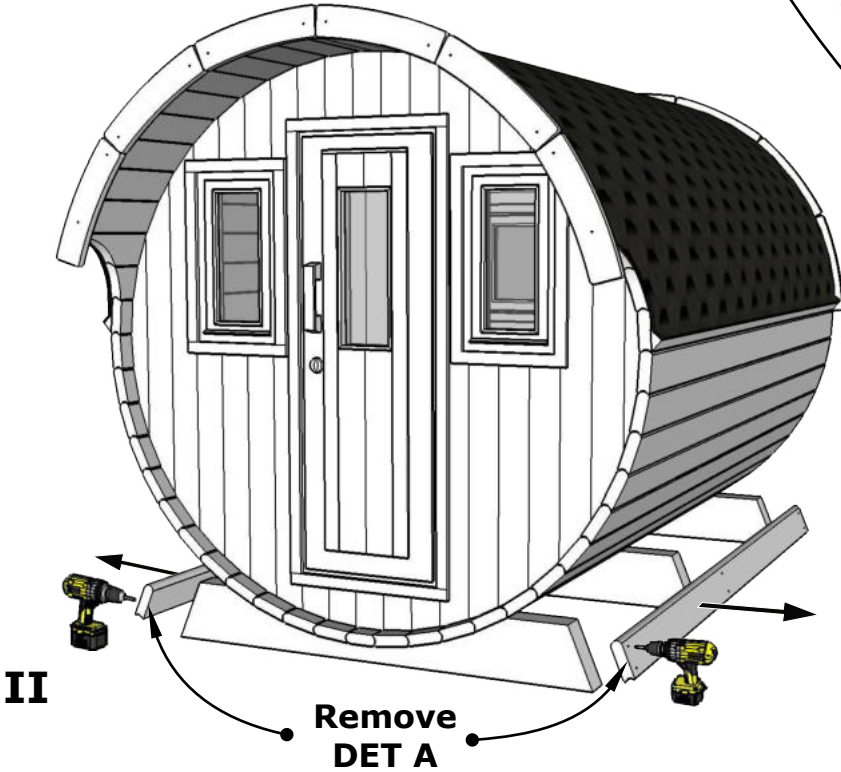
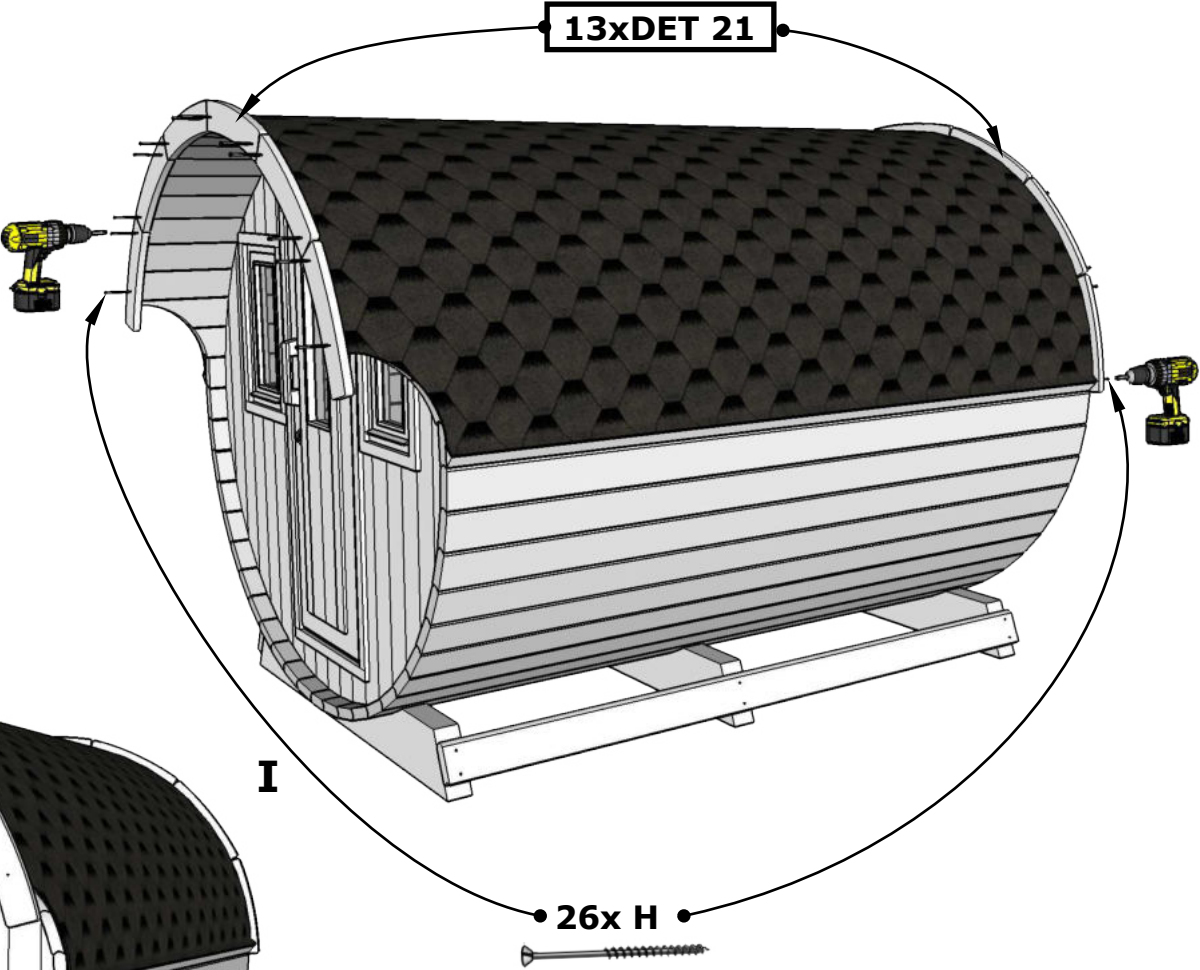


II



I

Camping 330, Ø210



17.

(TORK 001)