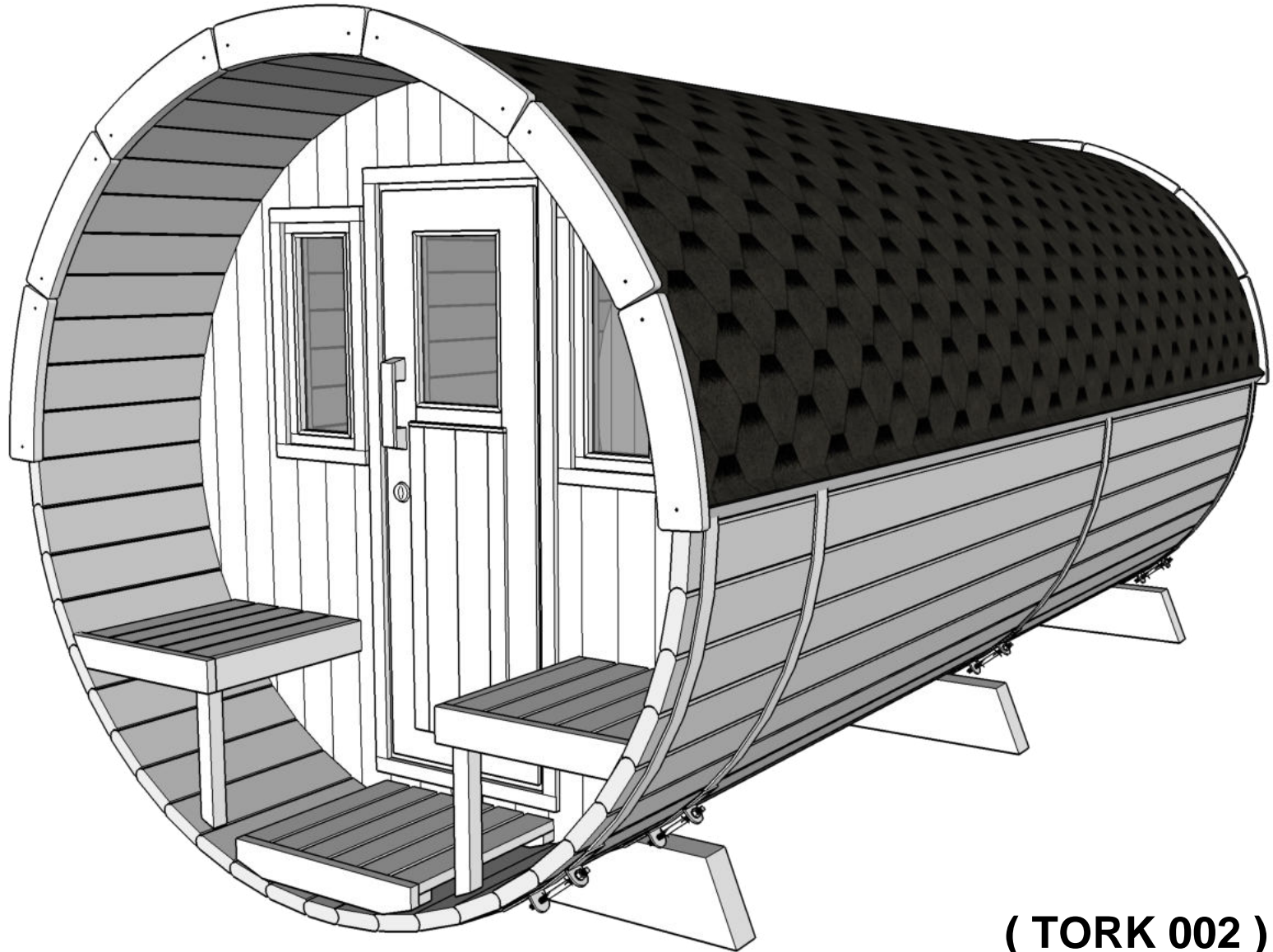


# Camping 480, D210/28

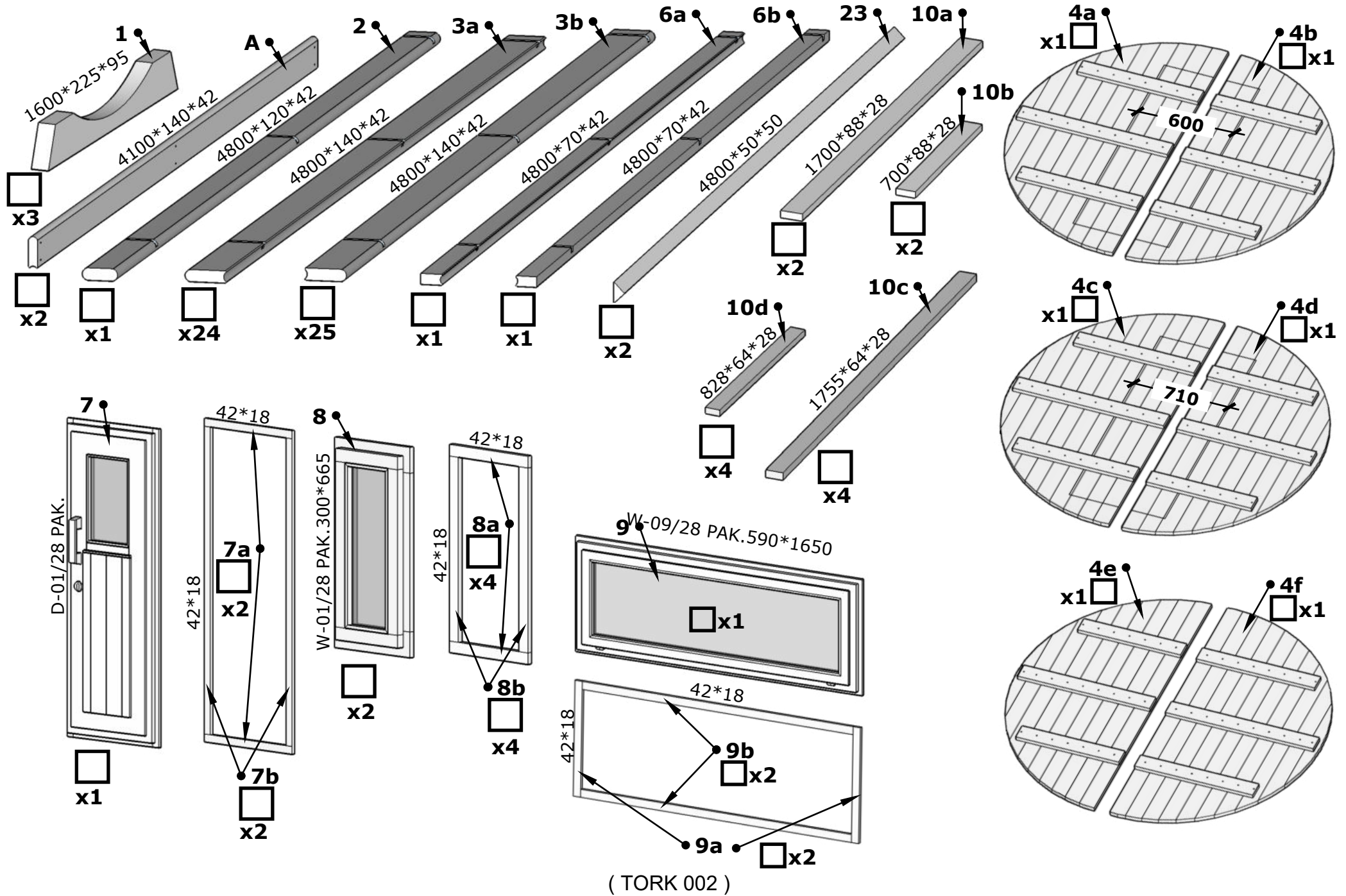


( TORK 002 )

( TORK 002 )

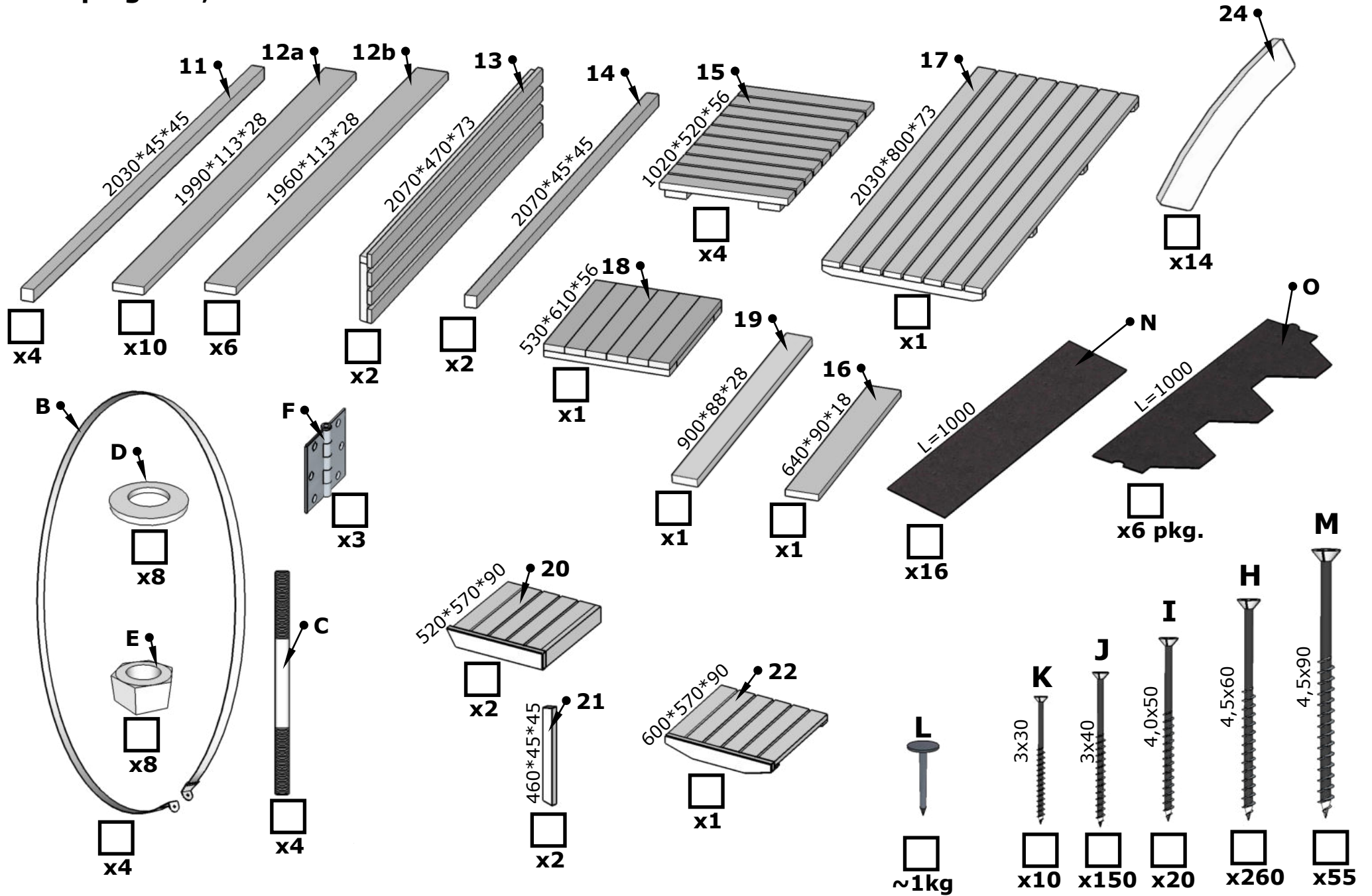
# Camping 480, D 210

## Details list nr.1



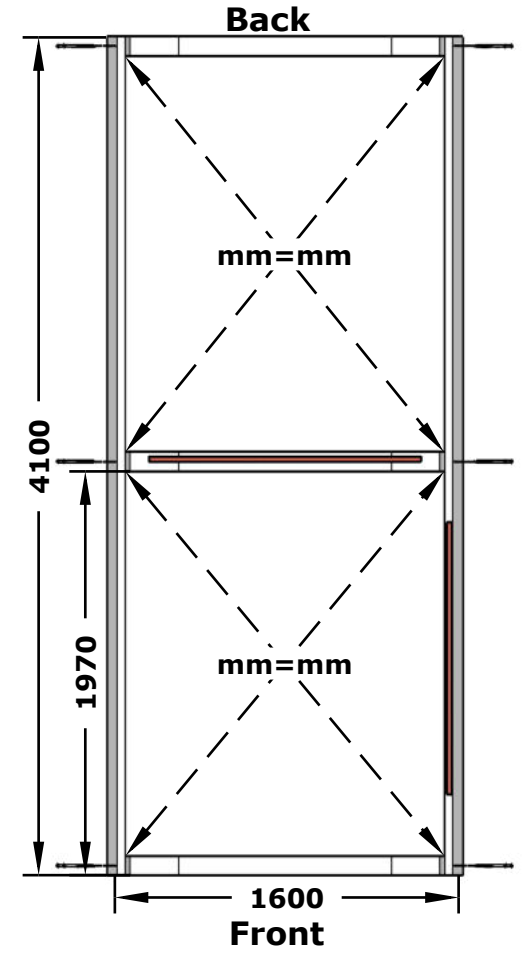
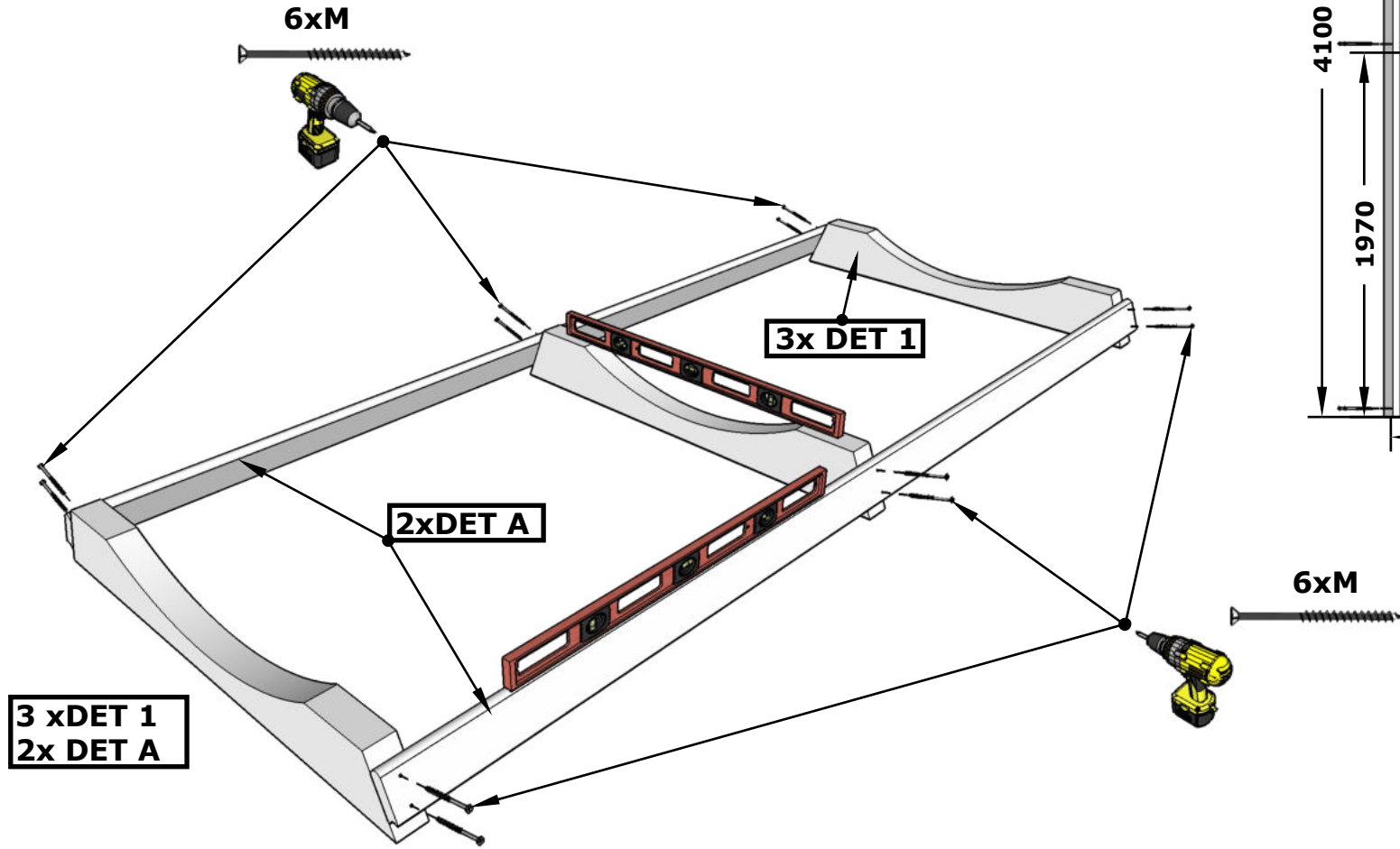
# Camping 480, D 210

## Details list nr.2



( TORQ 002 )

# Camping 480, D 210



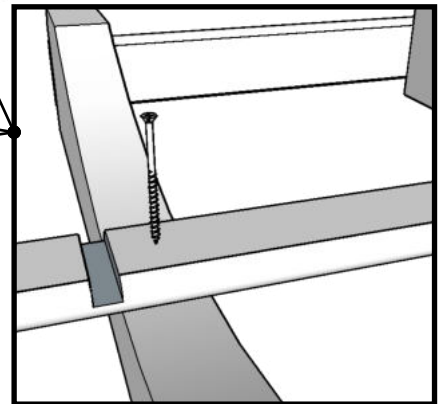
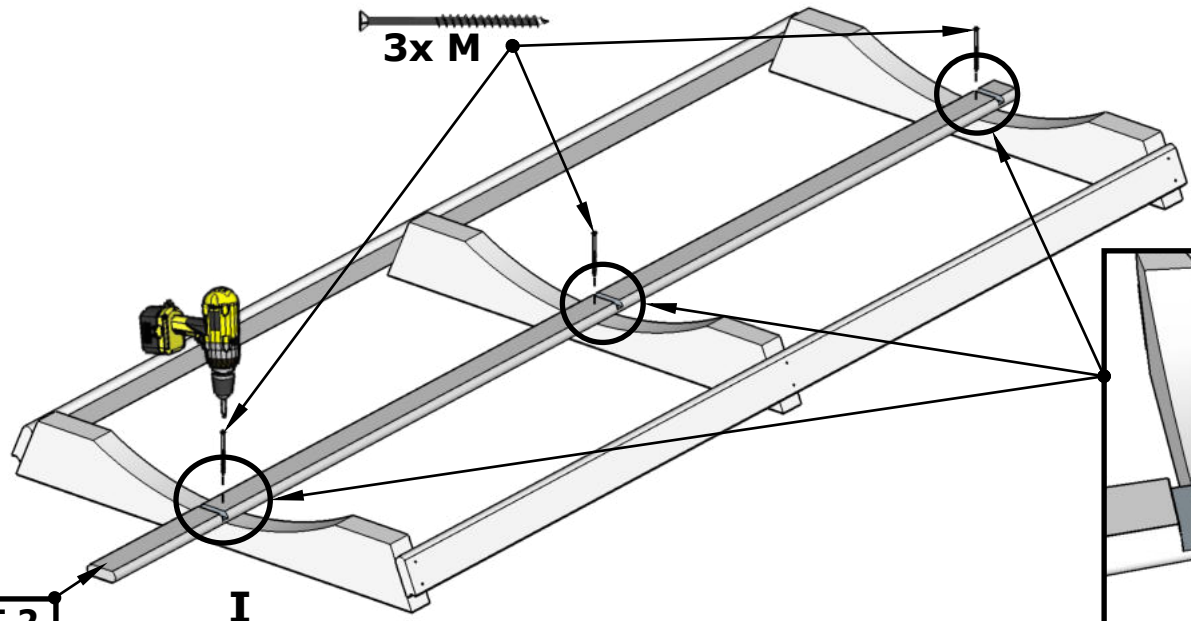
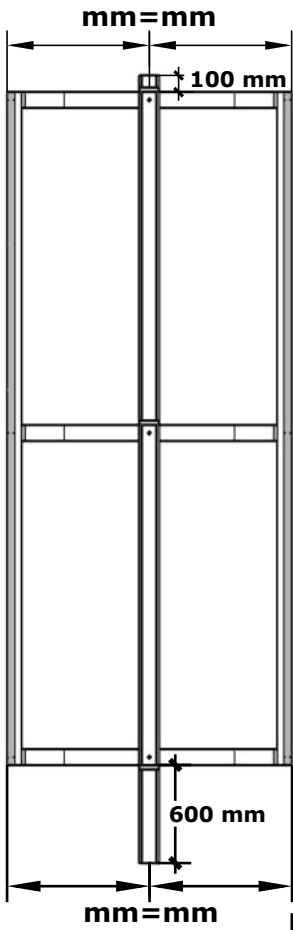
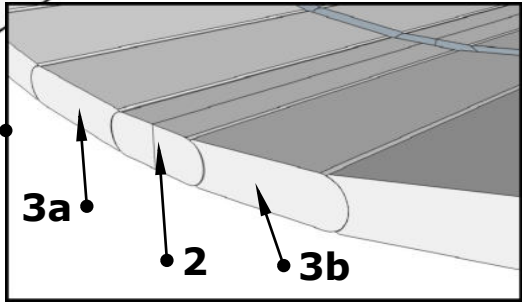
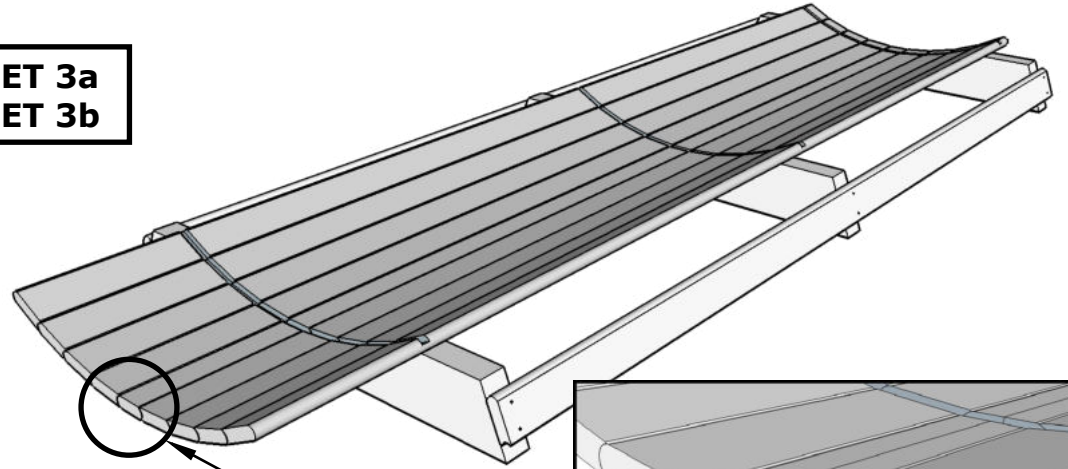
**1.**

( TORK 002 )

# Camping 480, D 210



4 x DET 3a  
4 x DET 3b

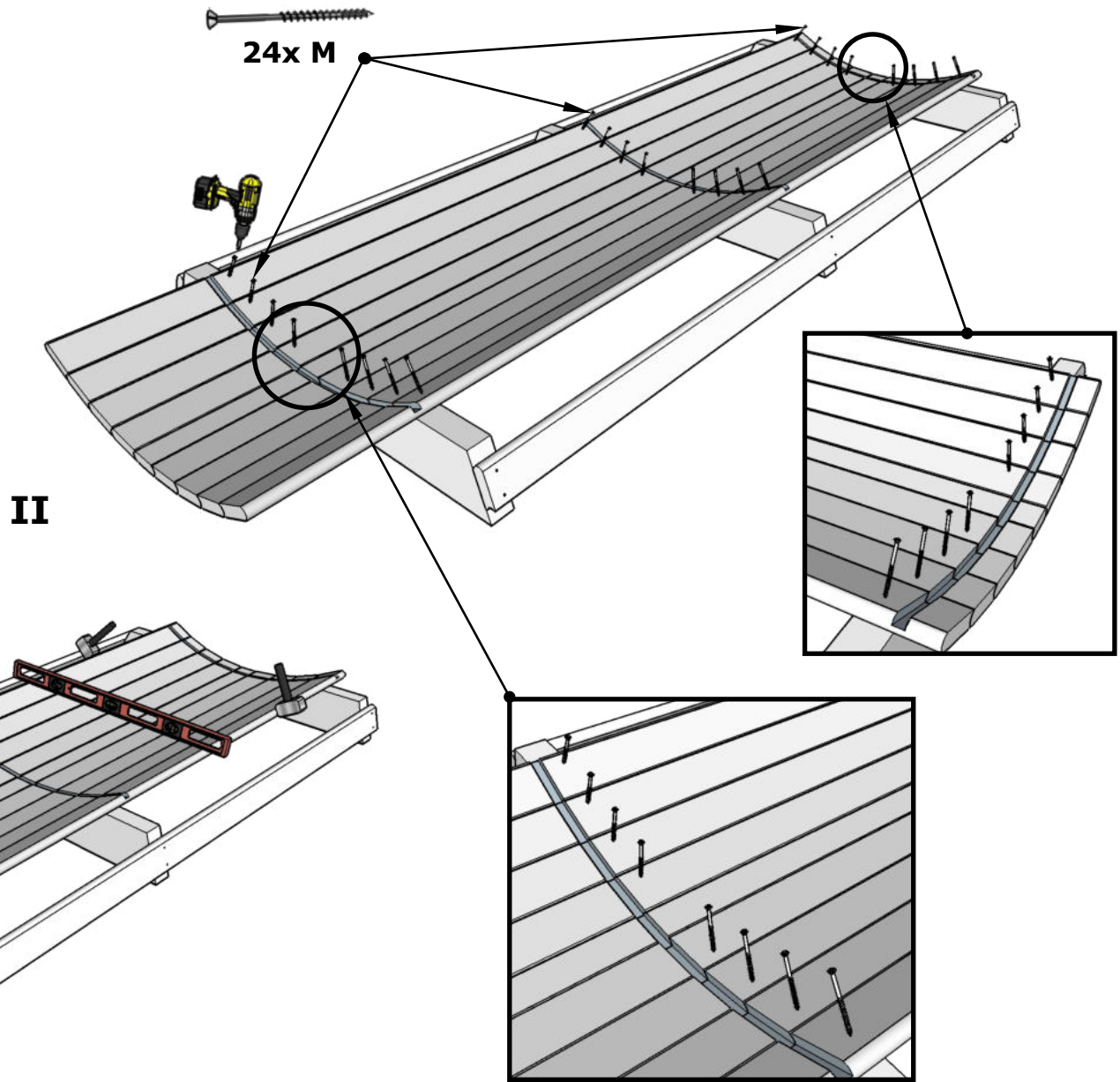


1xDET 2

2.

( TORK 002 )

# Camping 480, D 210

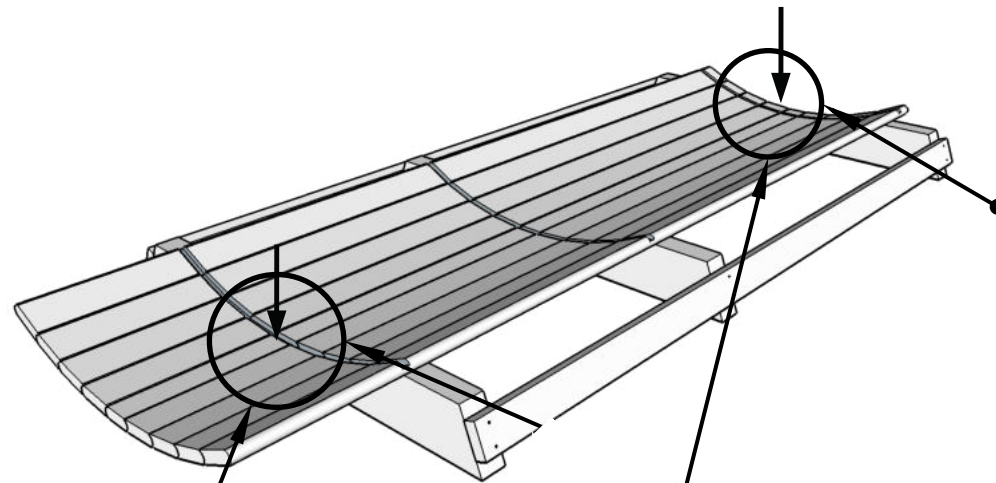


**3.**

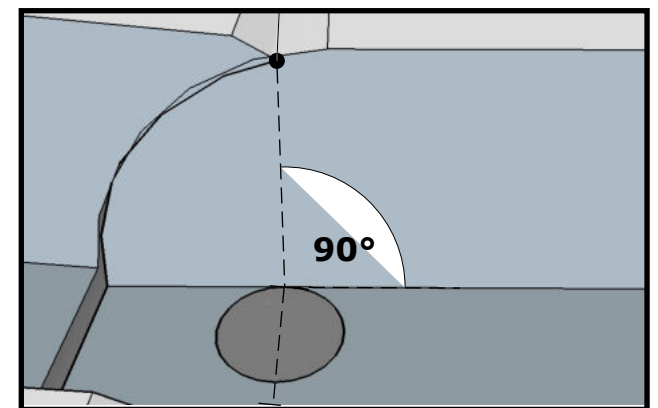
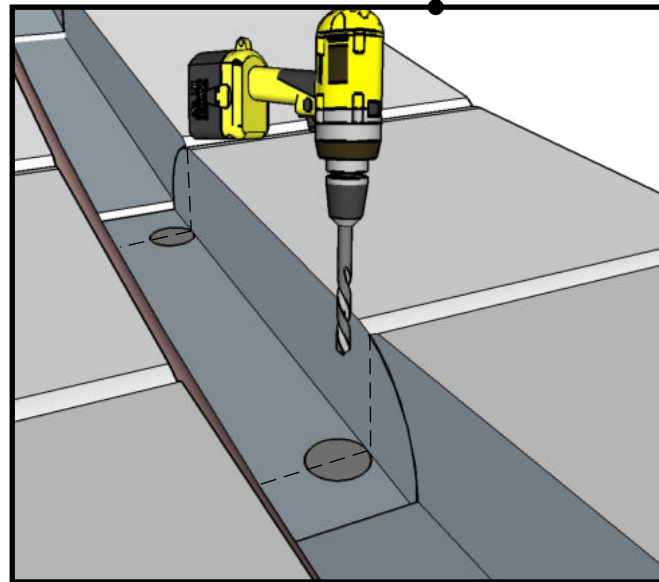
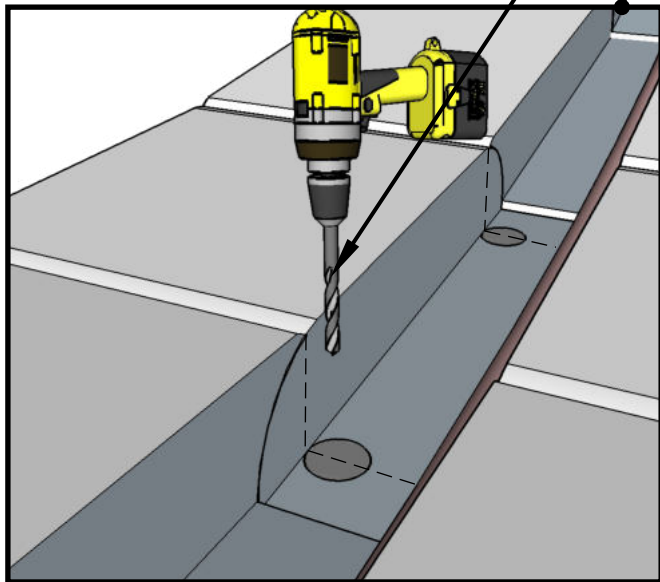
**I**

( TORK 002 )

# Camping 480, D 210



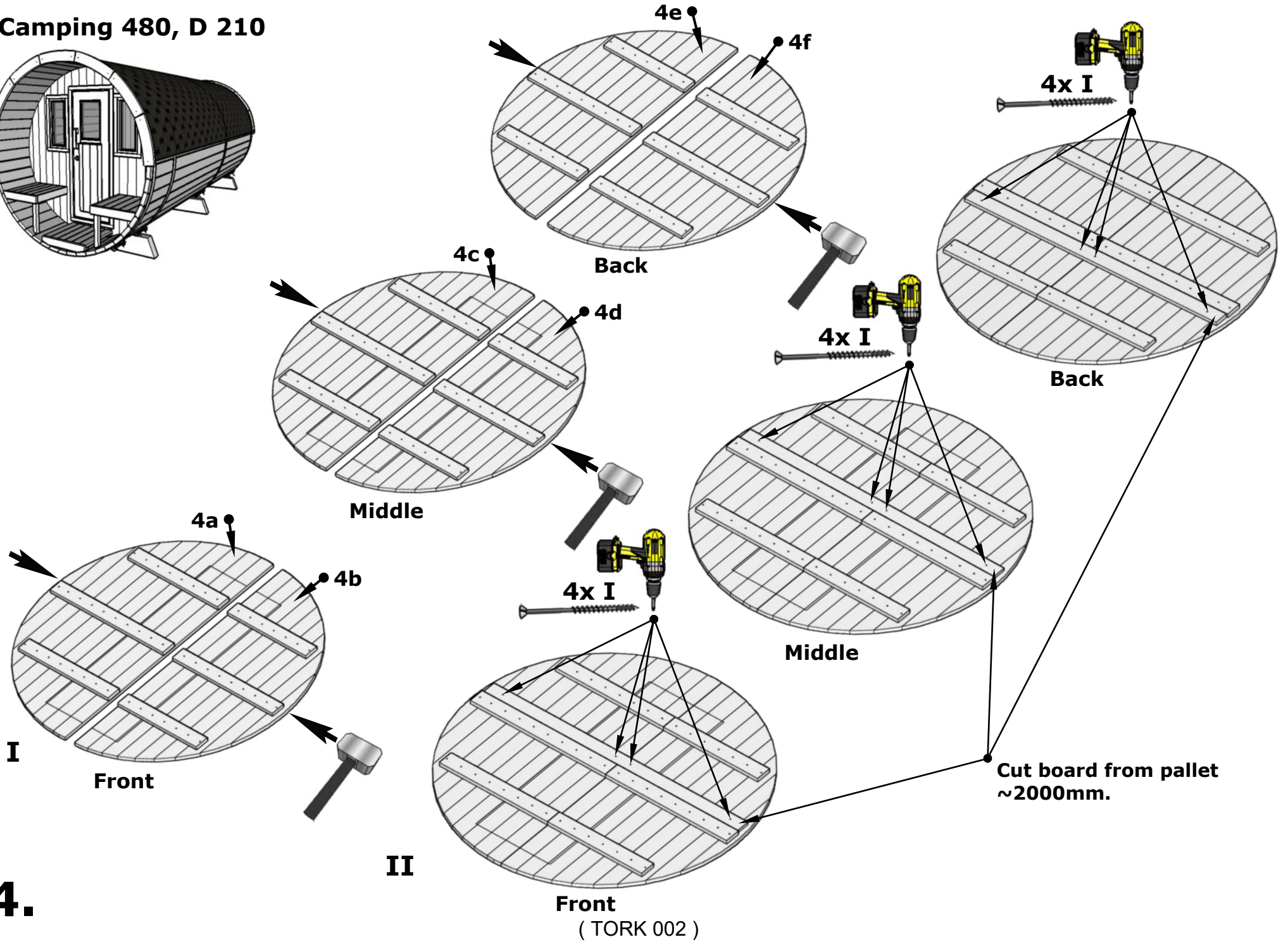
**Drill 4 holes  
in DET 2 Ø10 mm**



## 3A.

( TORK 002 )

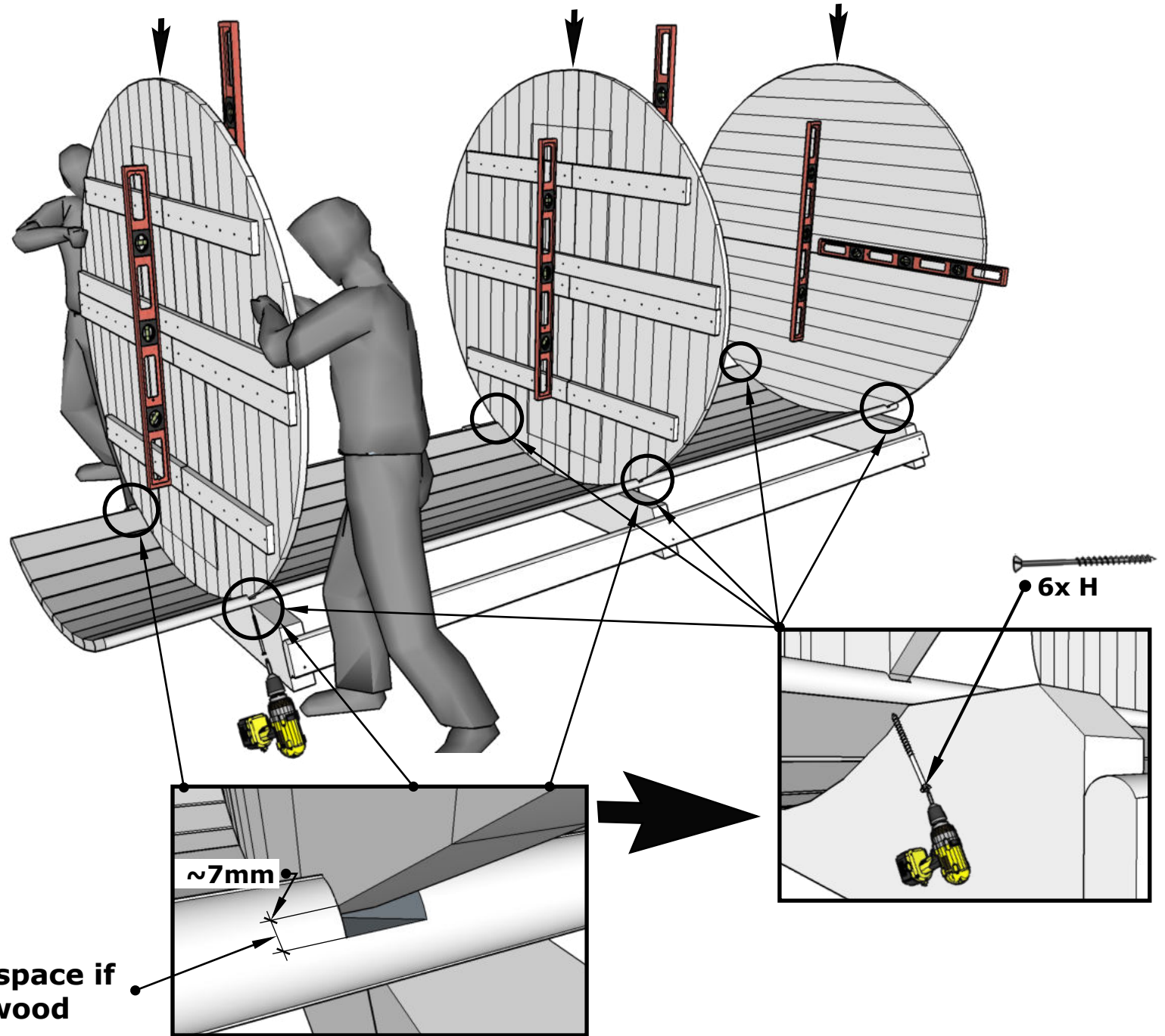
# Camping 480, D 210



4.



# Camping 480, D 210



**NB! Don't leave space if using thermo wood**

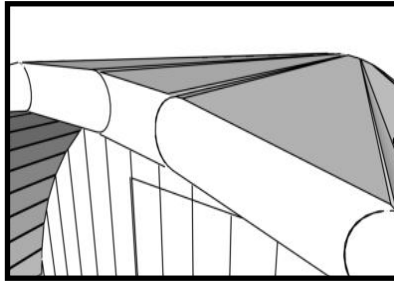
**5.**

( TORK 002 )

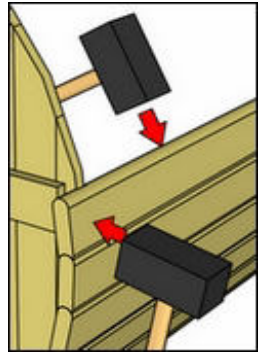
# Camping 480, D 210



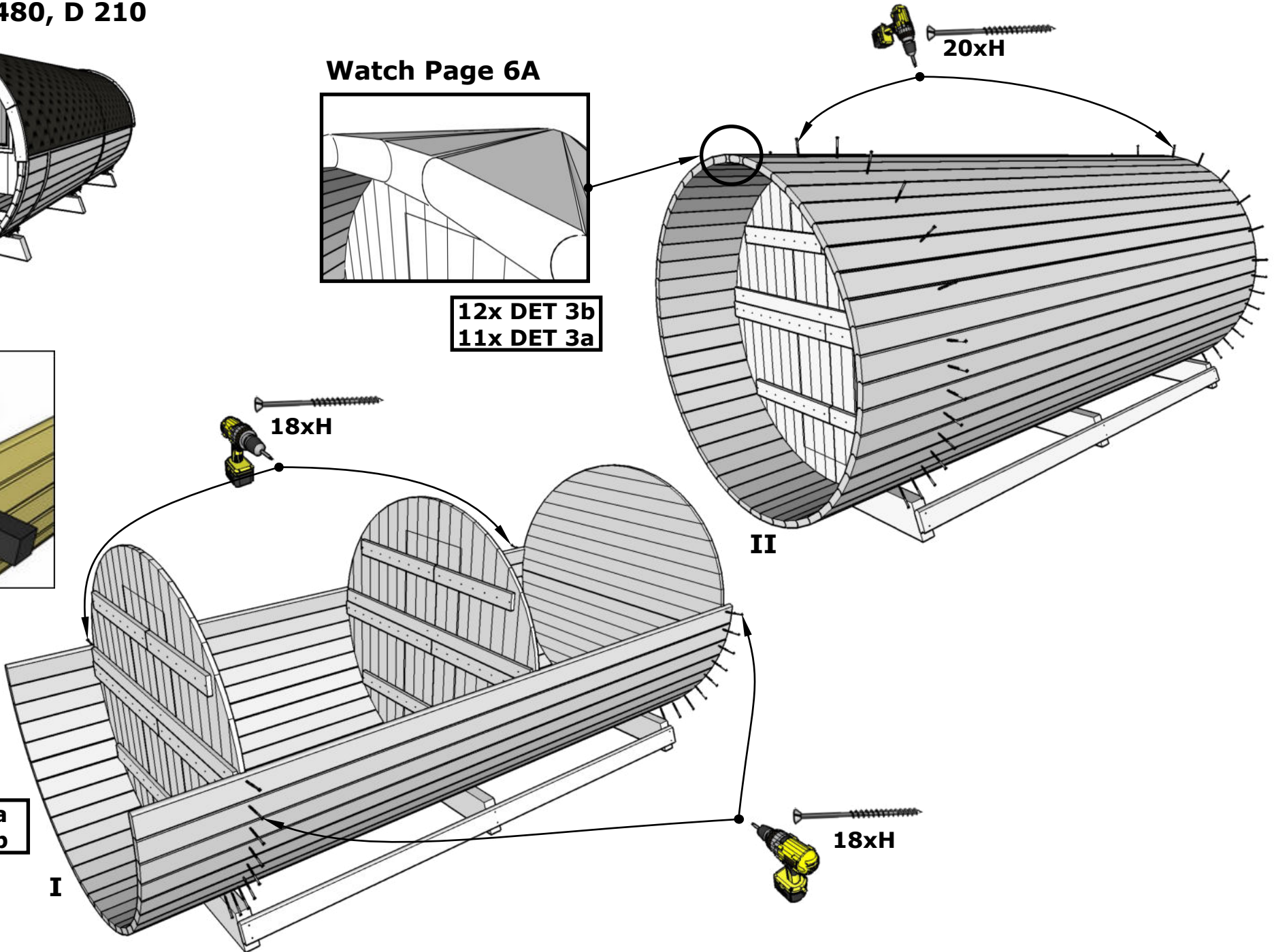
Watch Page 6A



12x DET 3b  
11x DET 3a



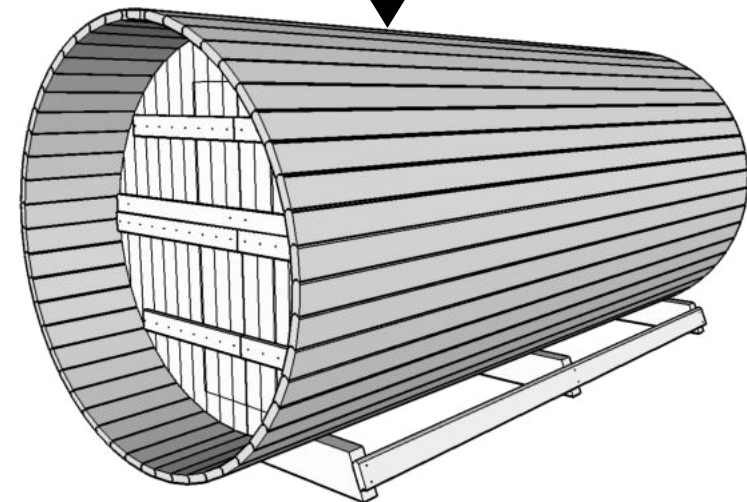
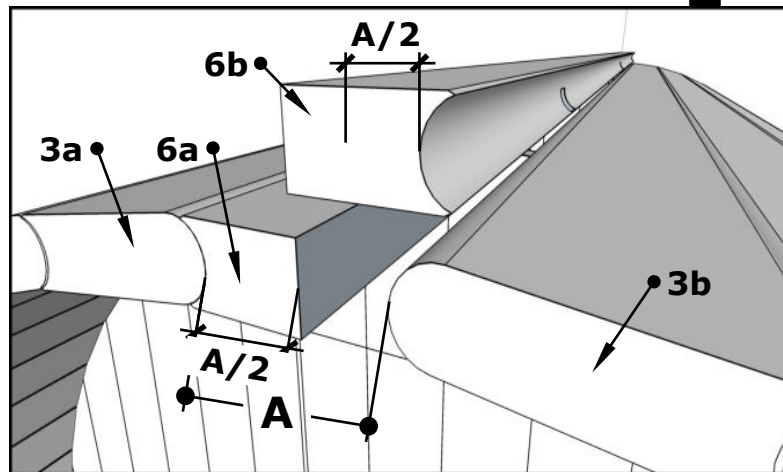
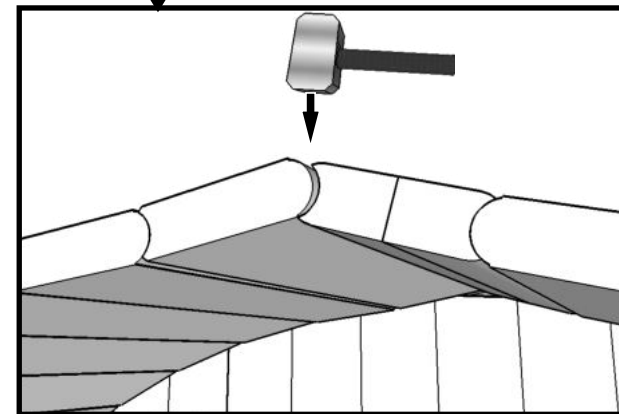
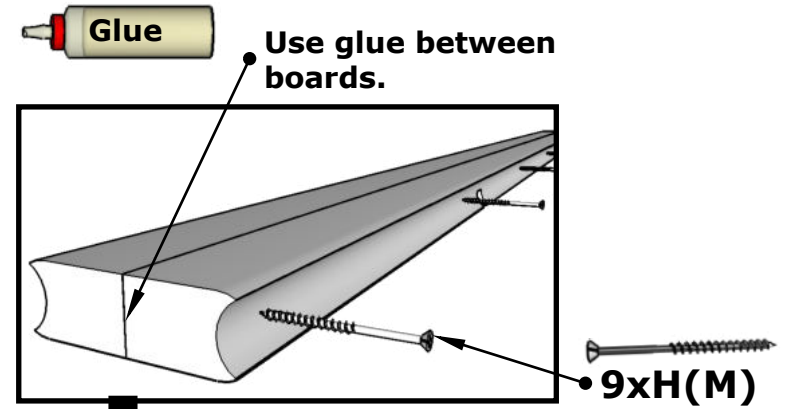
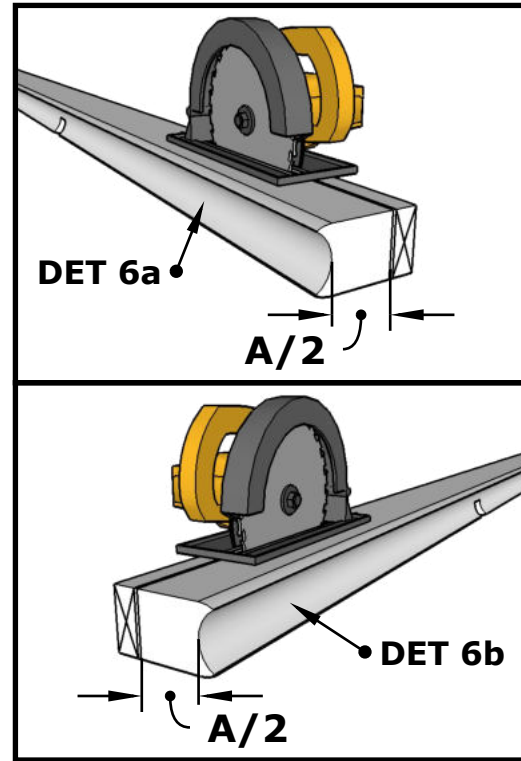
9x DET 3a  
9x DET 3b



6.

( TORK 002 )

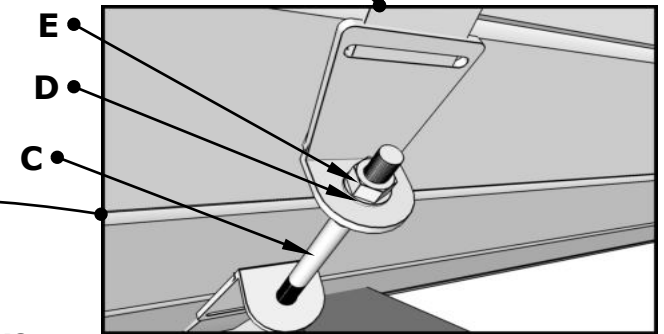
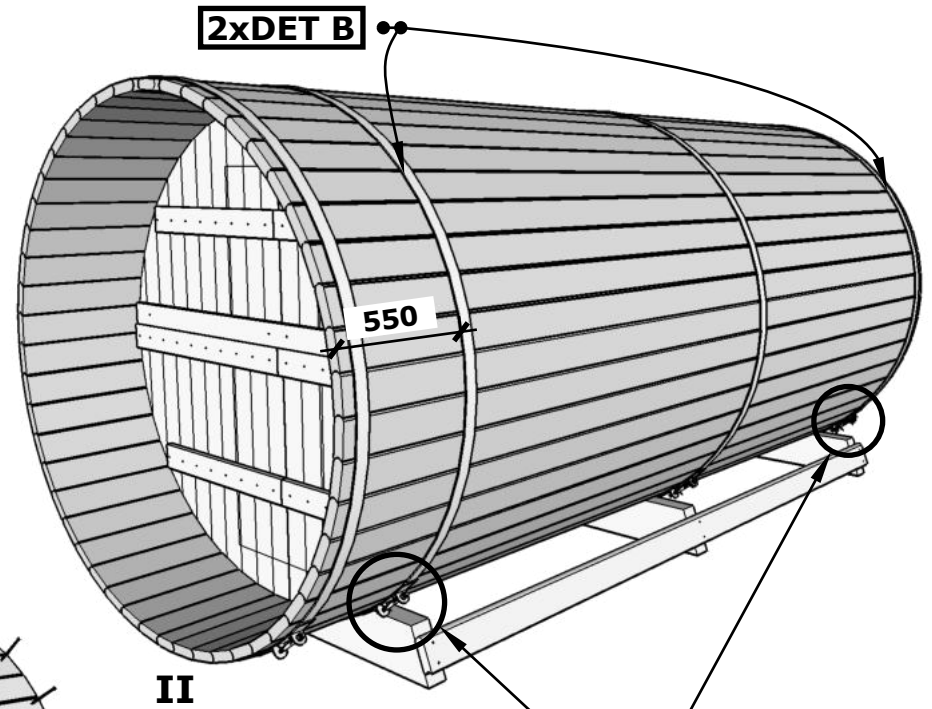
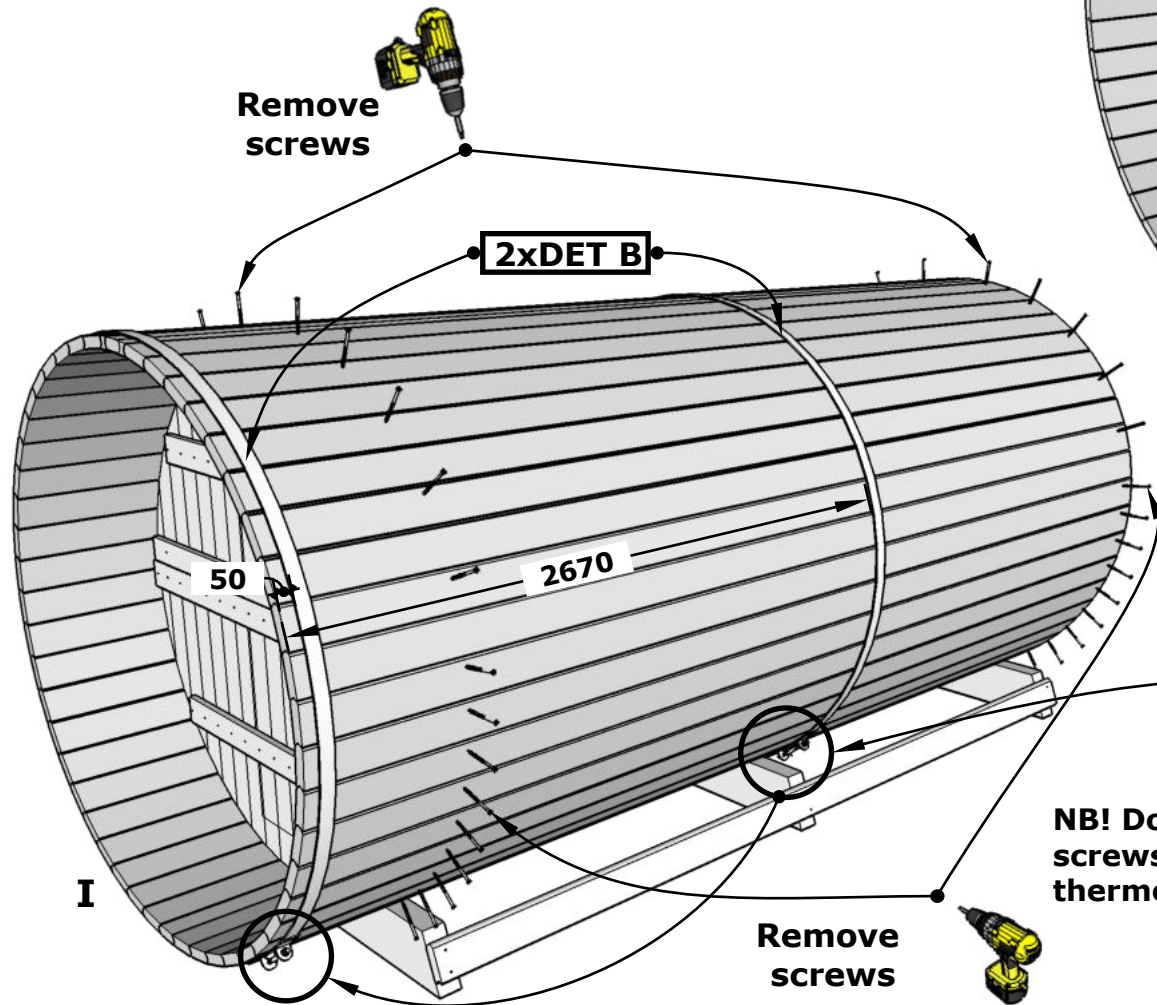
# Camping 480, D 210



**6A.**

( TORK 002 )

# Camping 480, D 210



**NB! Don't remove screws, if using thermo wood!**

**Remove screws**

**( TORK 002 )**



**7.**

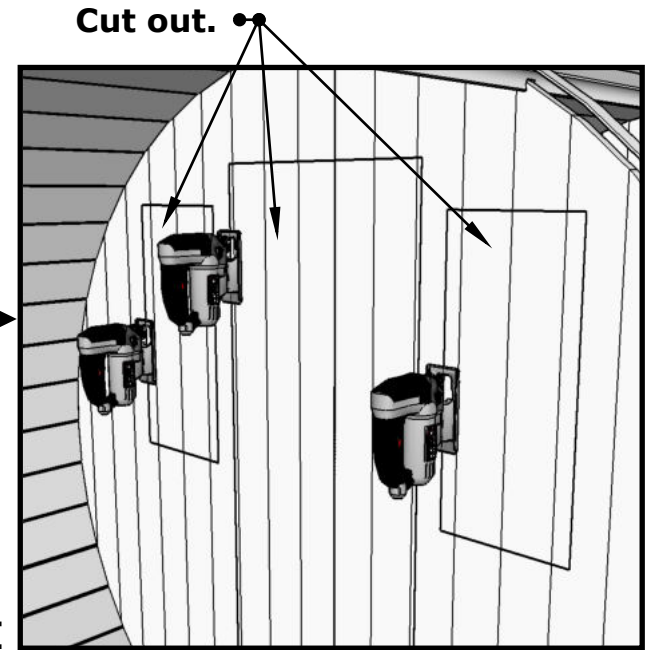
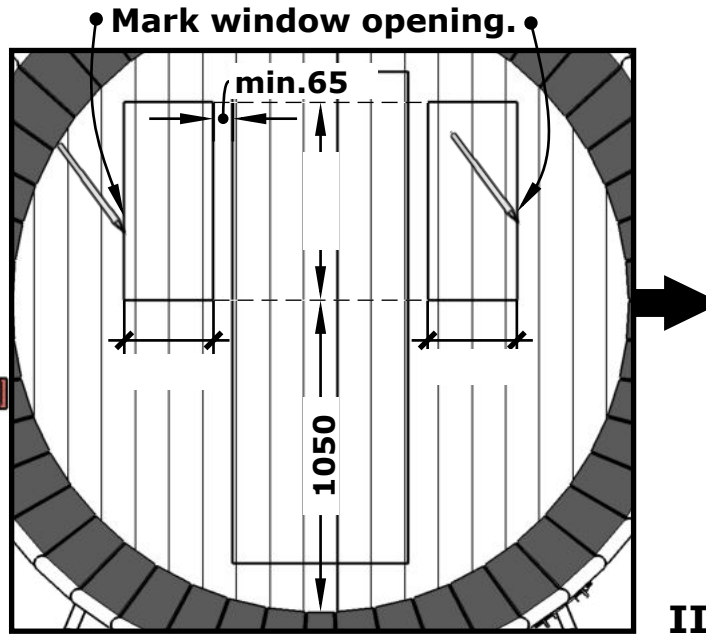
# Camping 480, D 210



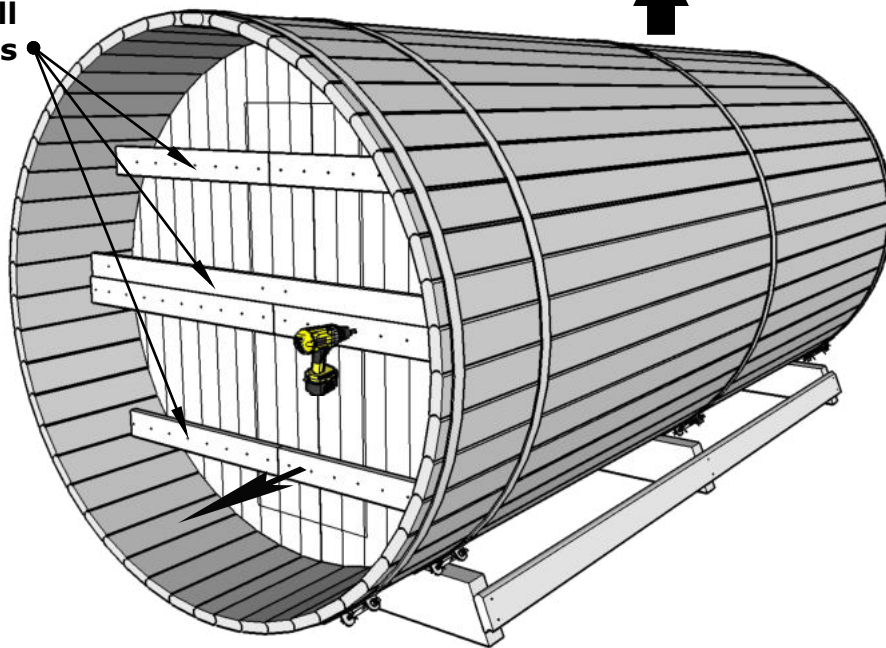
**NB! Use waterlevel.**



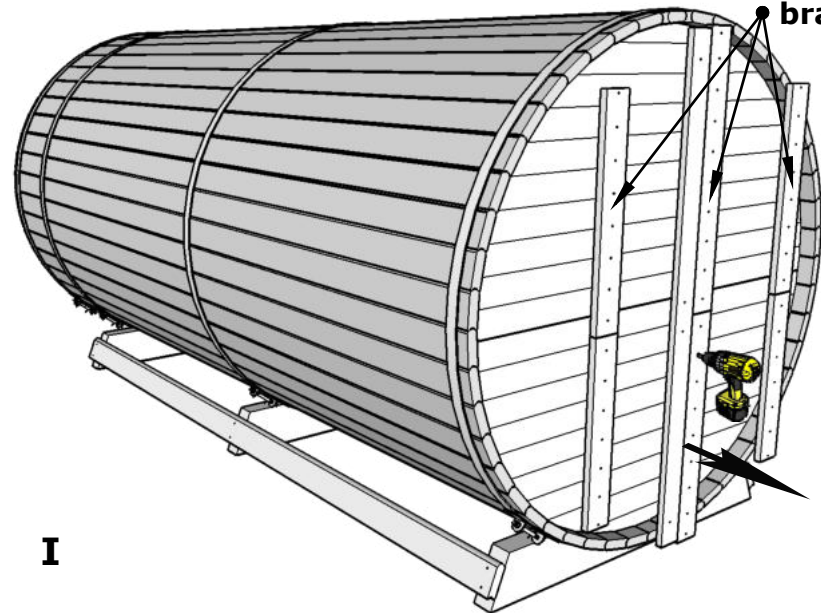
**NB ! ADD 10 MM FOR EXTERNAL DIMENSIONS OF THE WINDOWS AND DOOR**



**Remove all brackets**



**Remove all brackets**



**8.**

( TORK 002 )

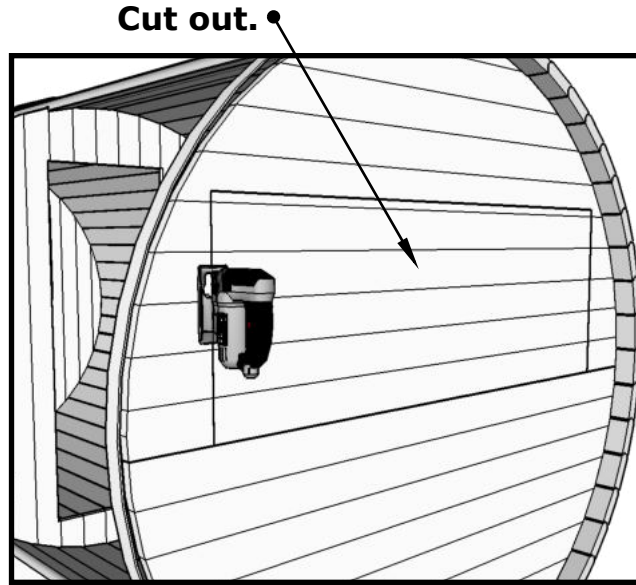
# Camping 480, D 210



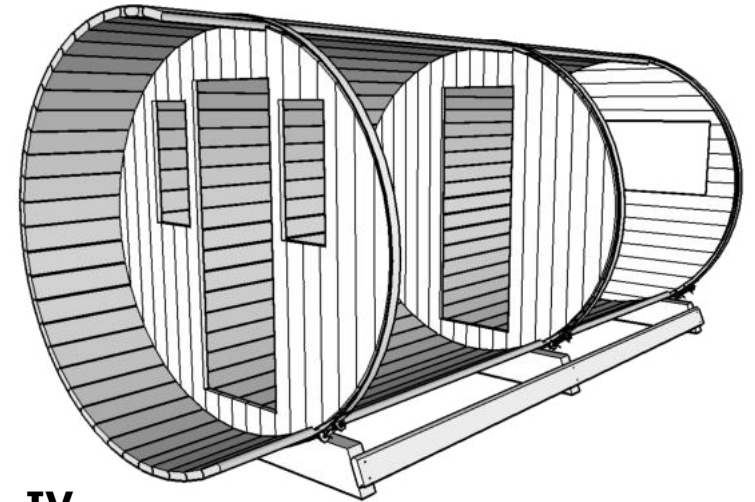
**NB! Use waterlevel.**



**III**



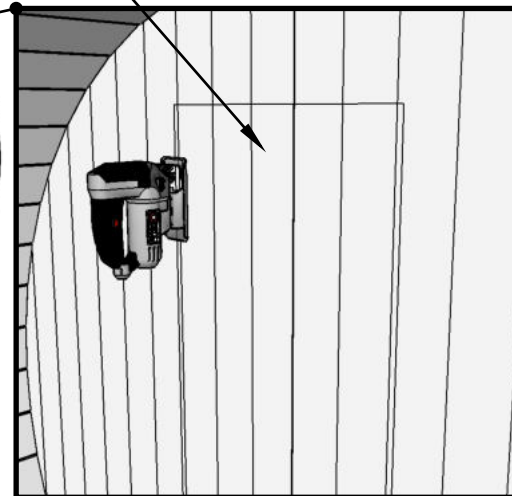
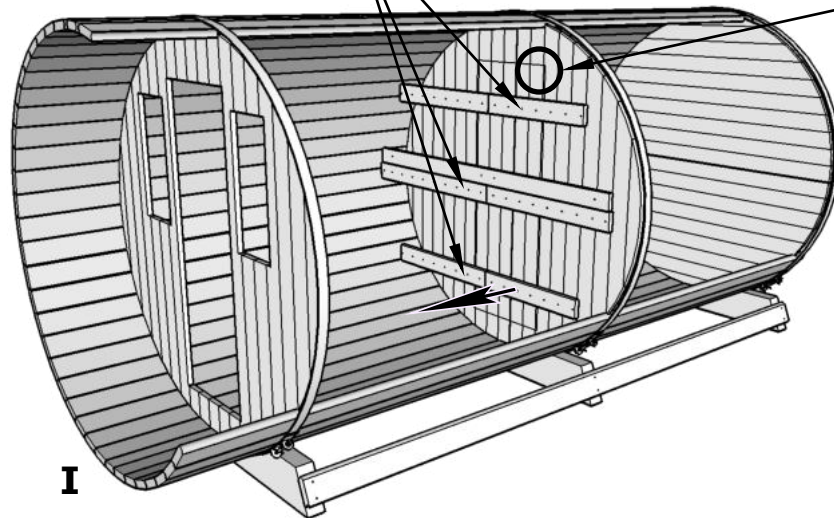
**IV**



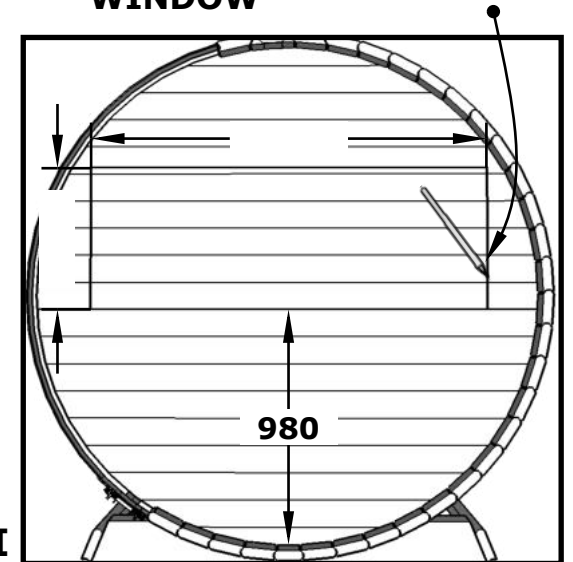
**Mark window opening.  
NB !ADD 10 MM.FOR  
EXTERNAL  
DIMENSIONS OF THE  
WINDOW**

**Remove all  
brackets**

**Cut out.**



**II**



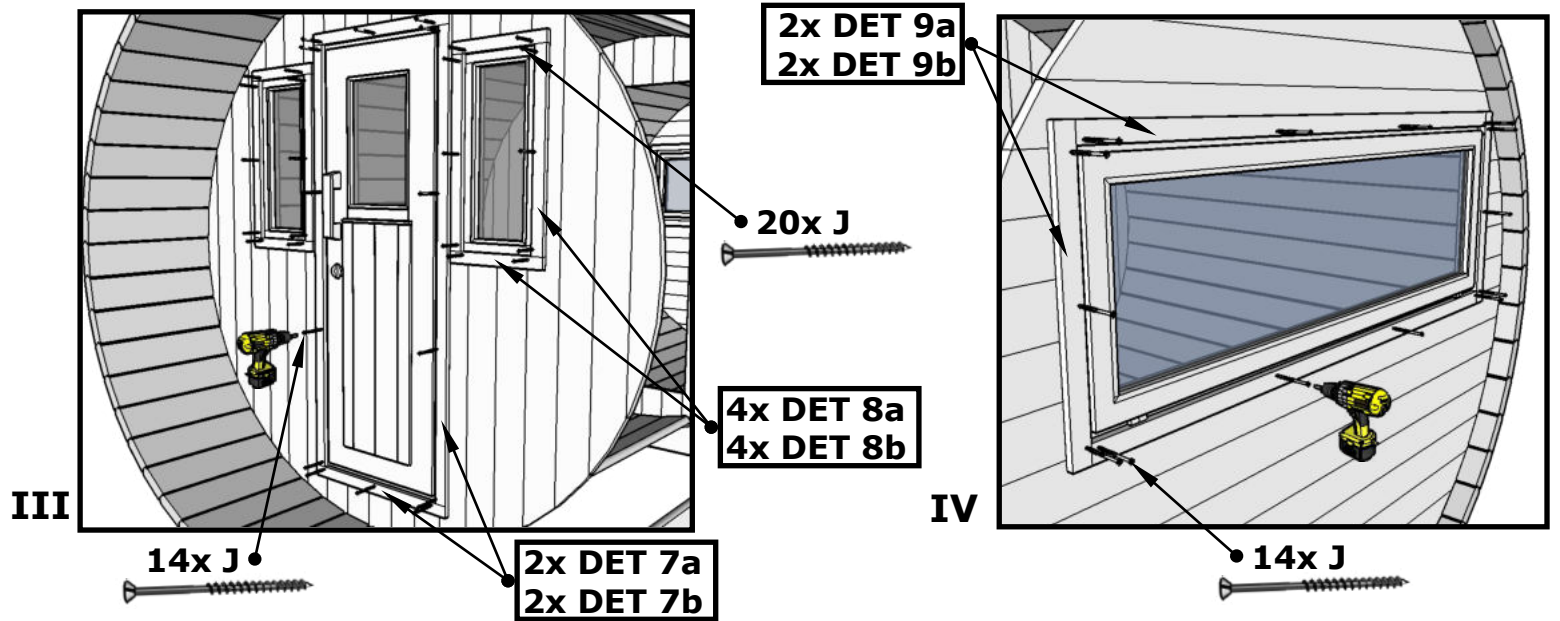
**9.**

( TORK 002 )

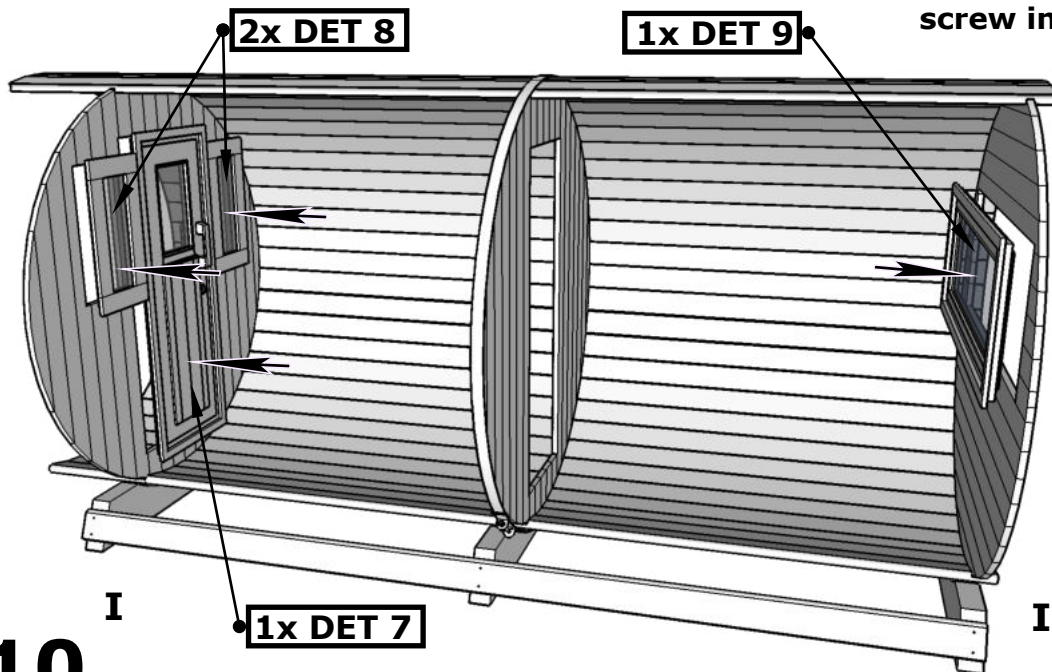
# Camping 480, D 210



**NB! Use waterlevel.**

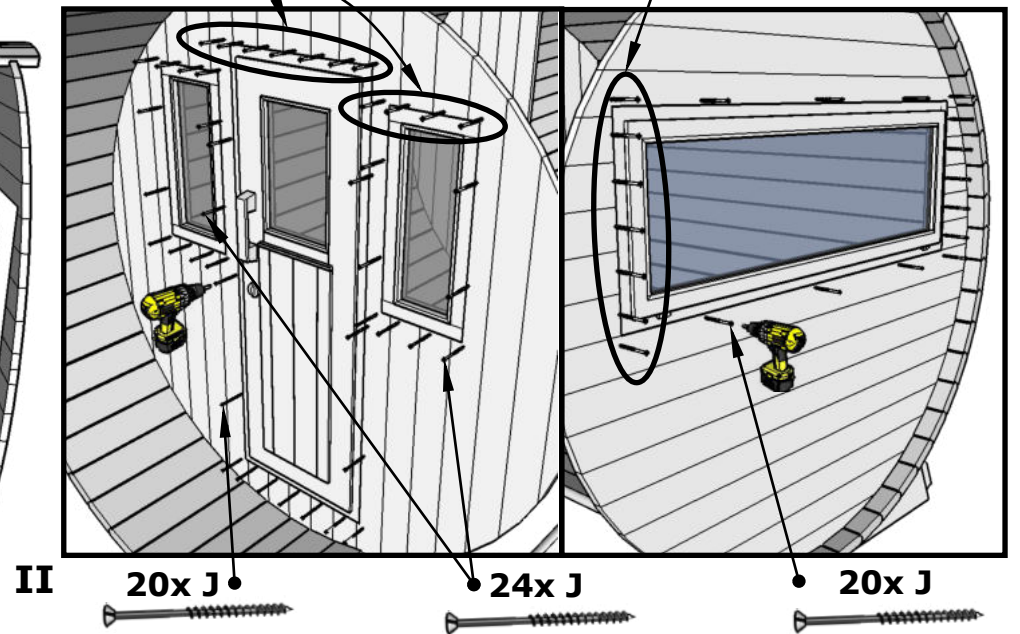


**NB! Place door and windows from inside.**



**Horizontally fix screw in every board**

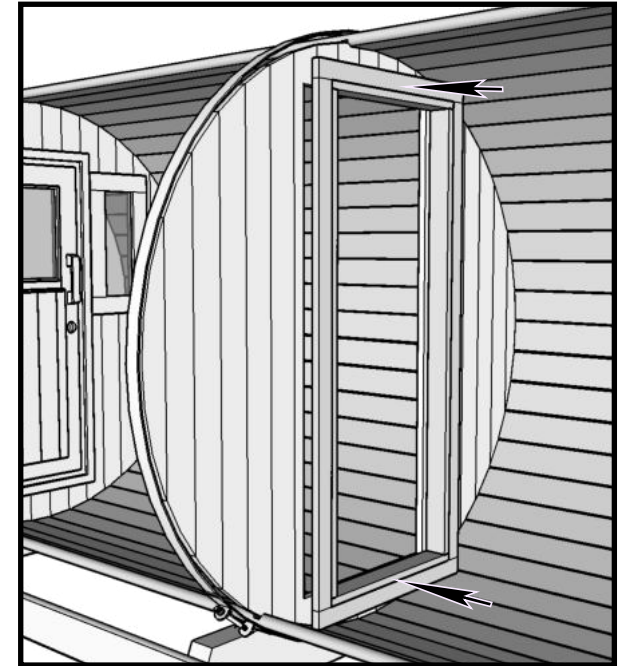
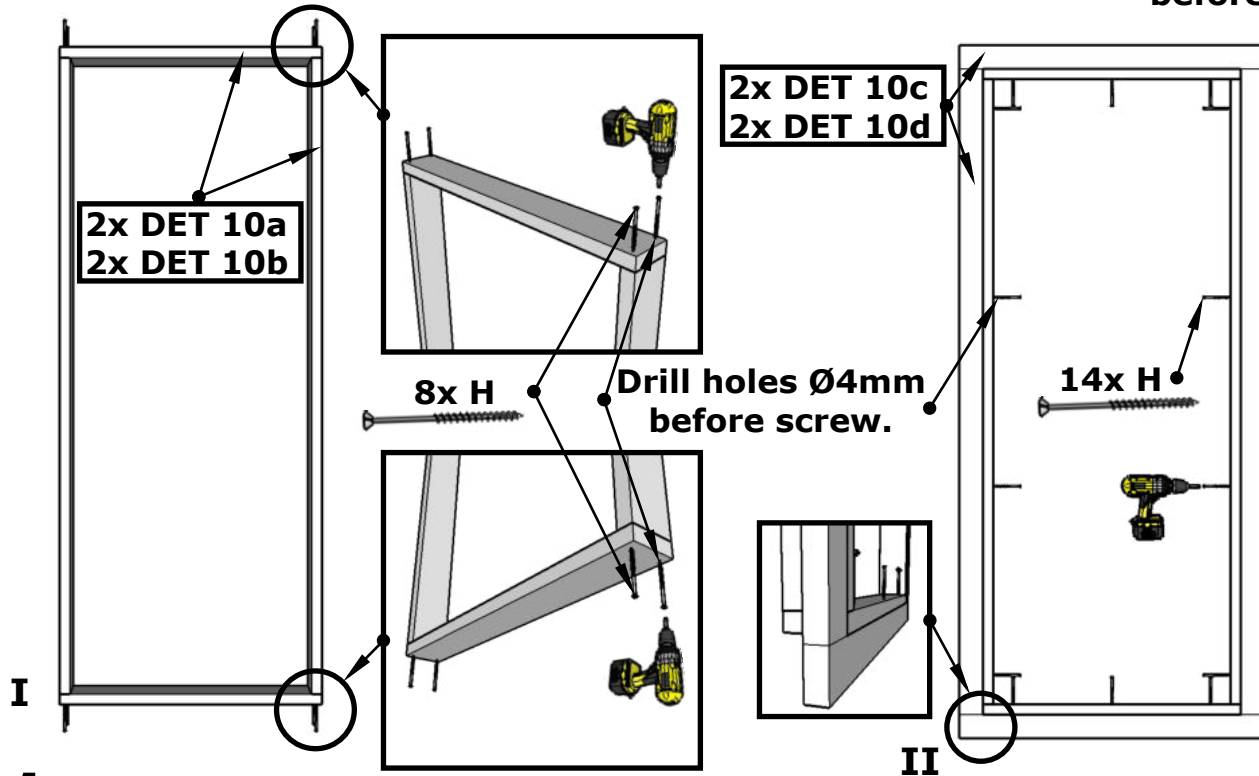
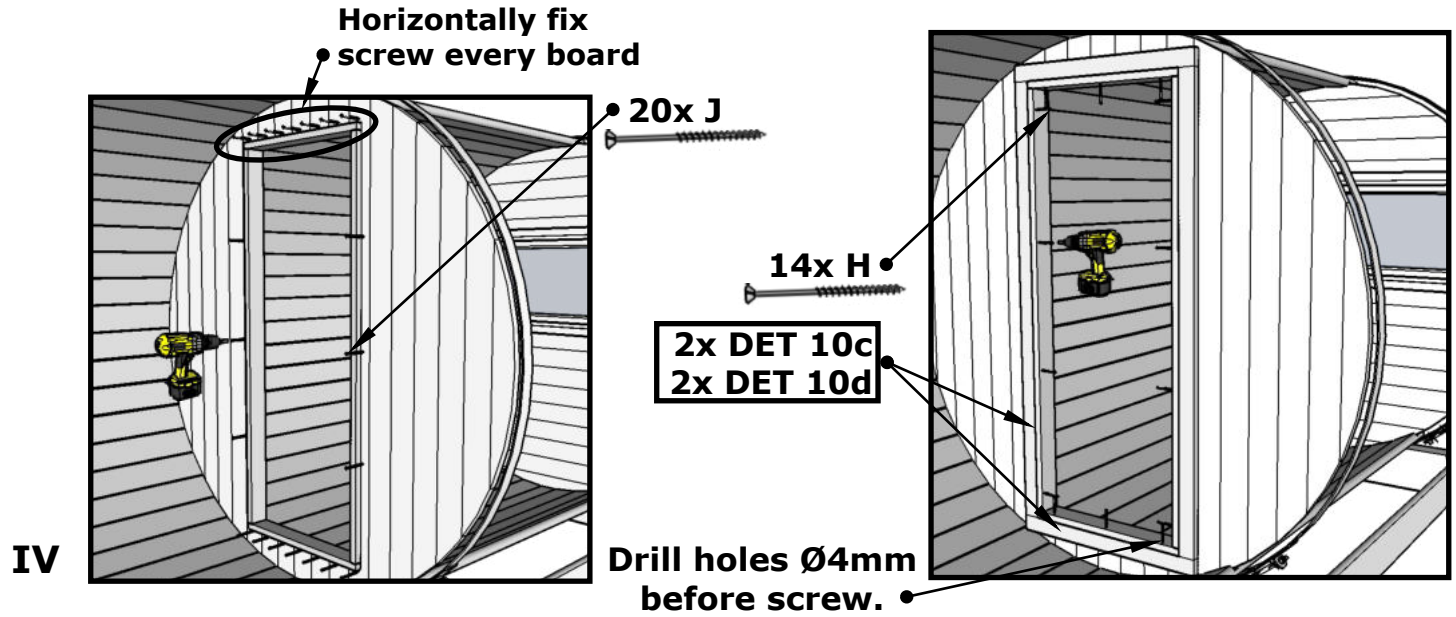
**Vertically fix screw in every board**



**10.**

( TORK 002 )

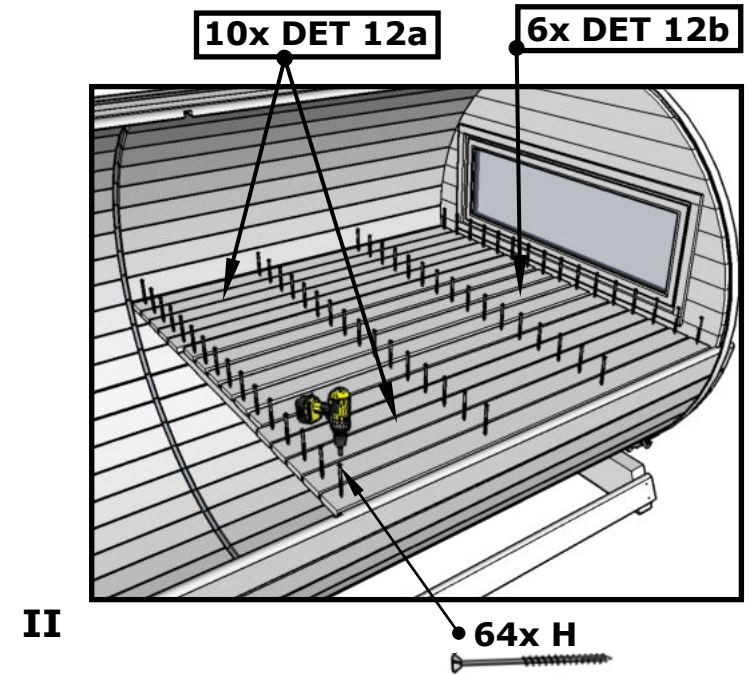
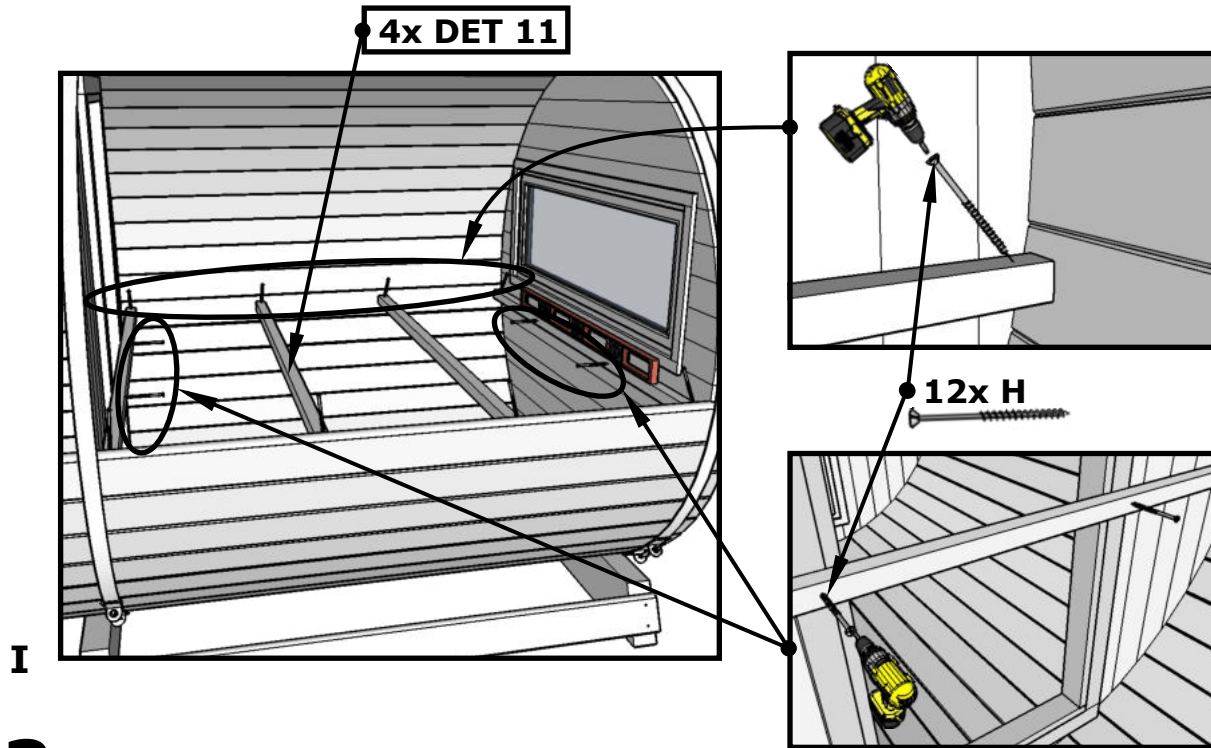
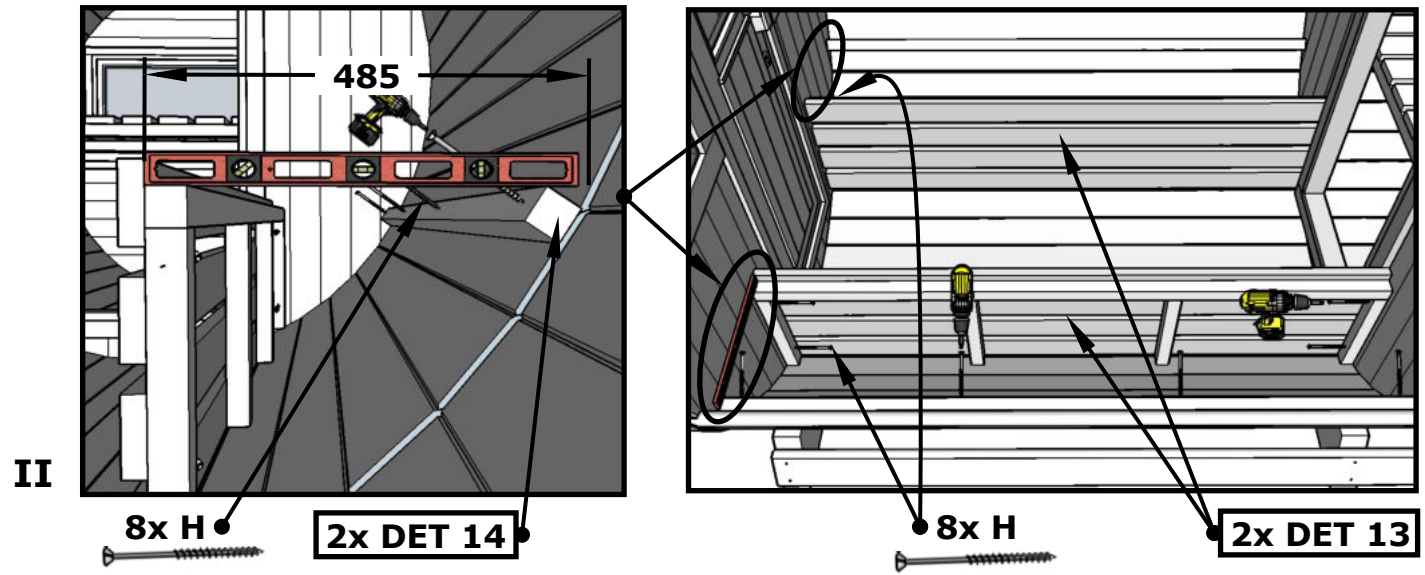
# Camping 480, D 210



**11.**



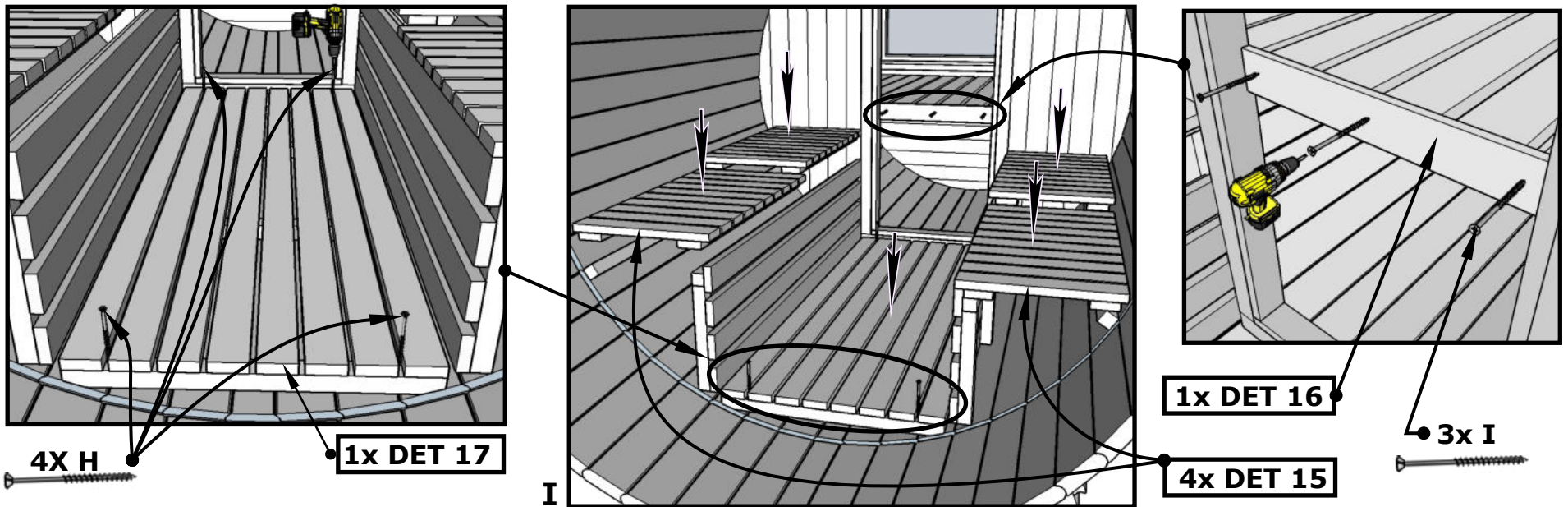
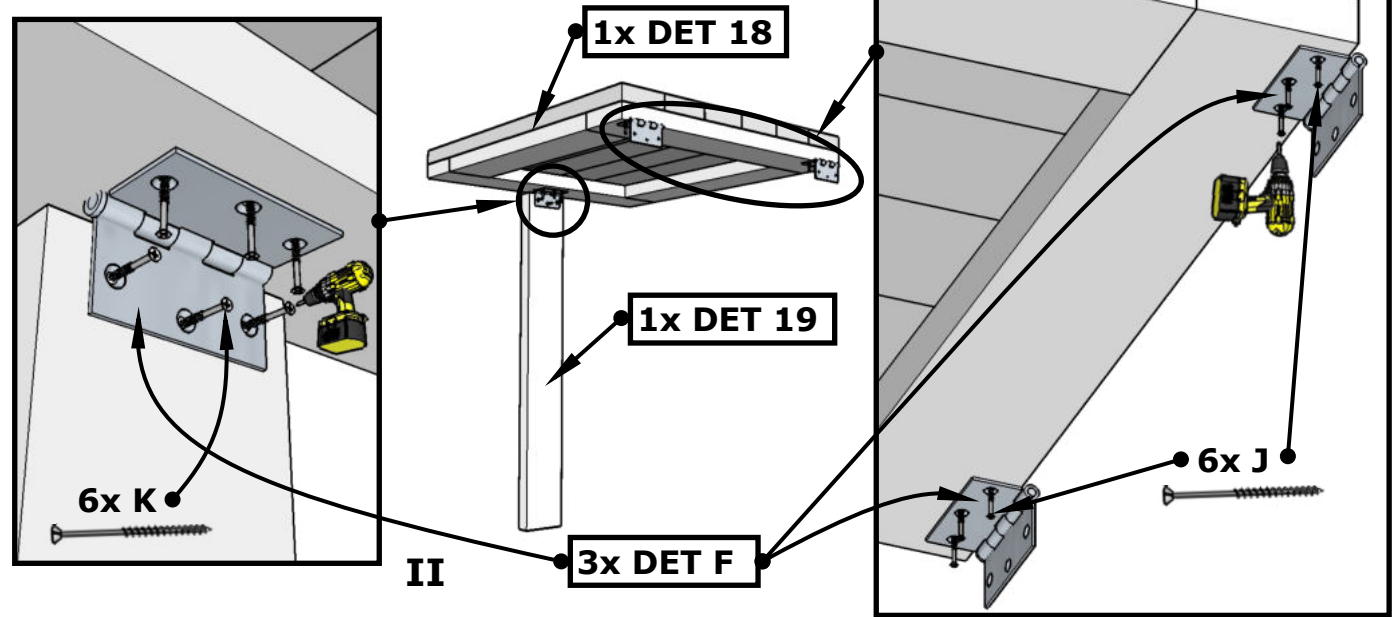
# Camping 480, D 210



**12.**

( TORK 002 )

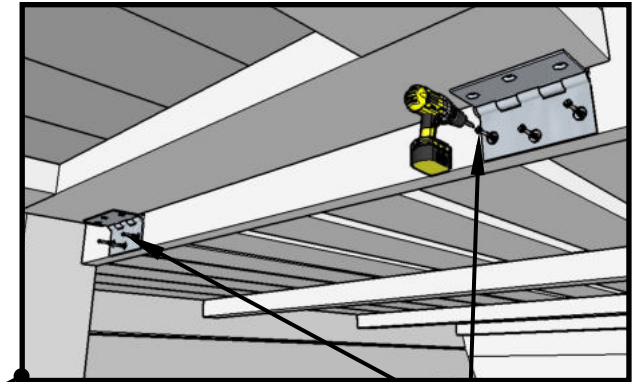
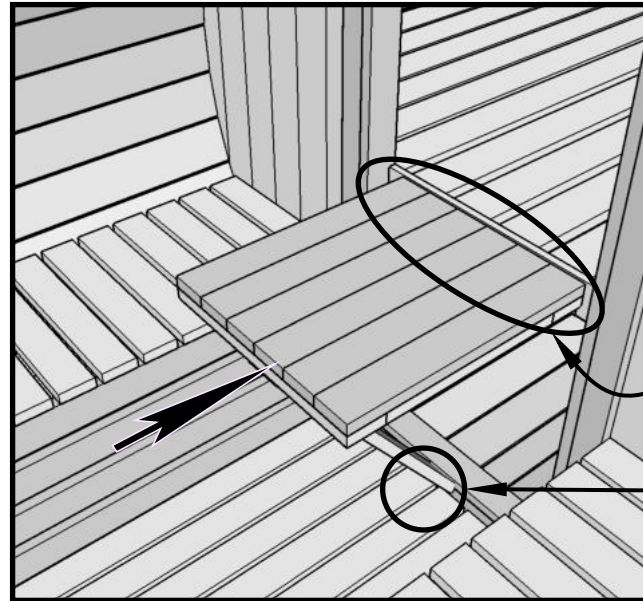
# Camping 480, D 210



**13.**

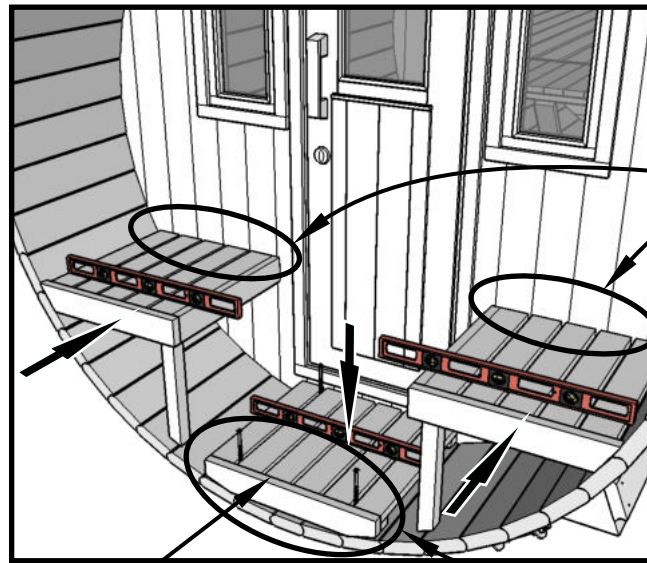
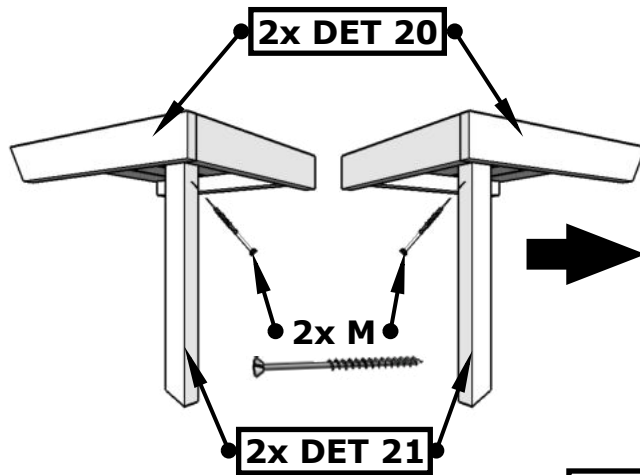
( TORK 002 )

# Camping 480, D 210

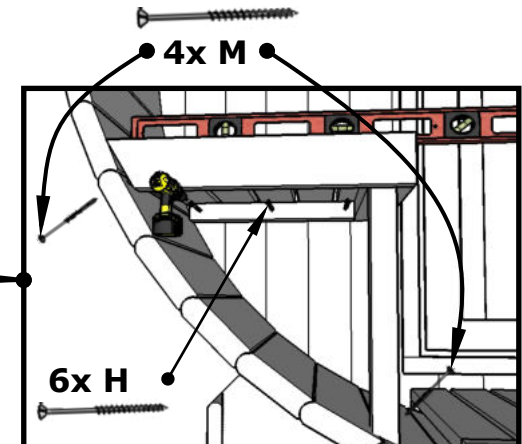


Cut table leg on right size, if necessary.

6x J

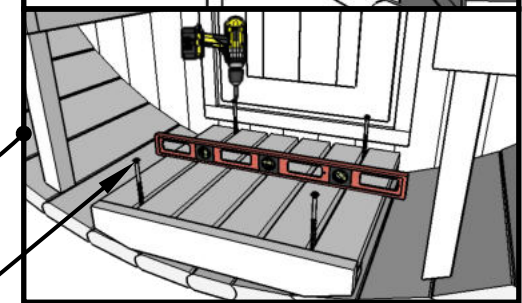


1x DET 22



4x M

6x H

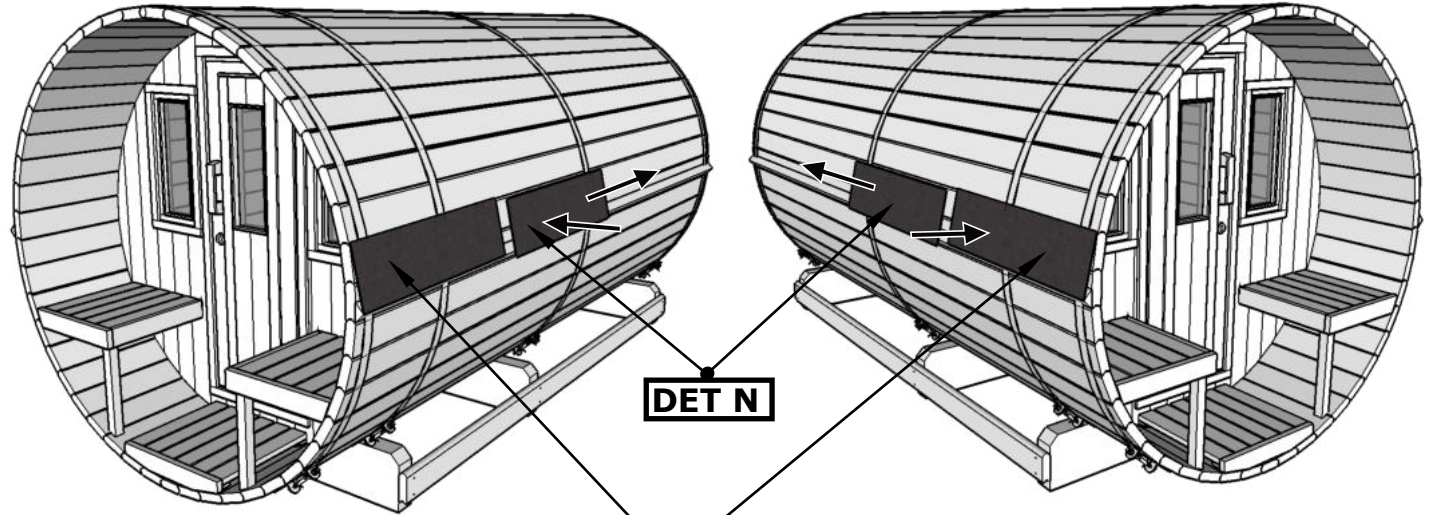


4x H

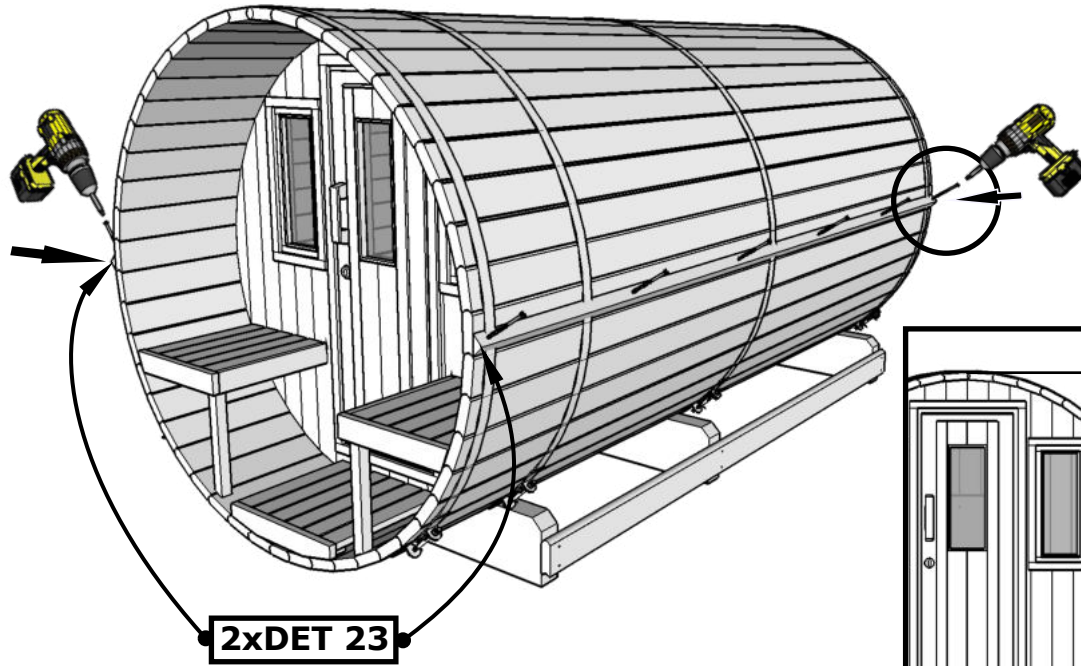
14.

( TORK 002 )

Camping 480, D 210

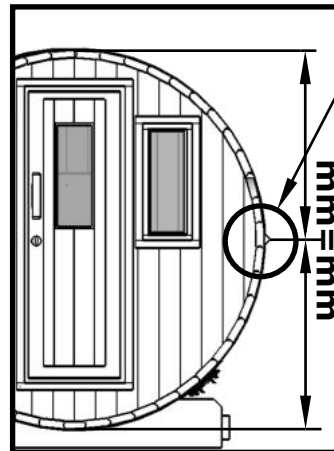


II

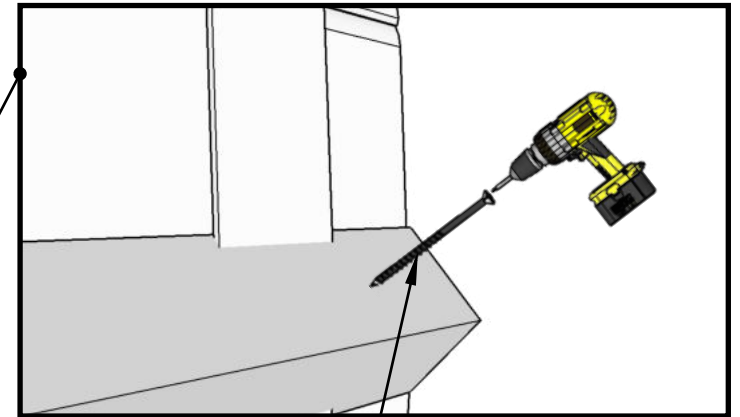


I

2xDET 23



( TORK 002 )

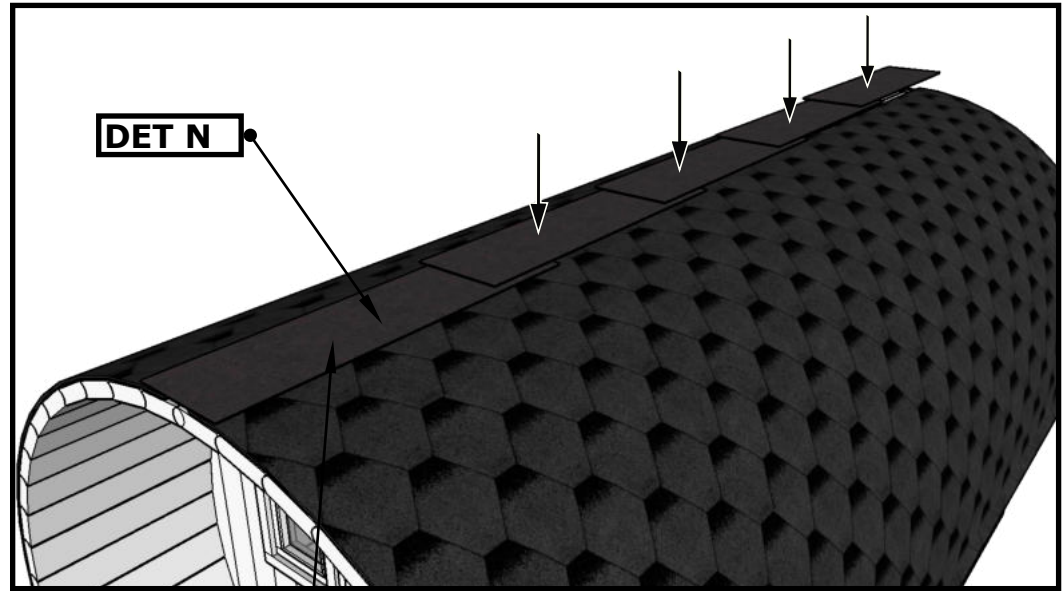


14x H



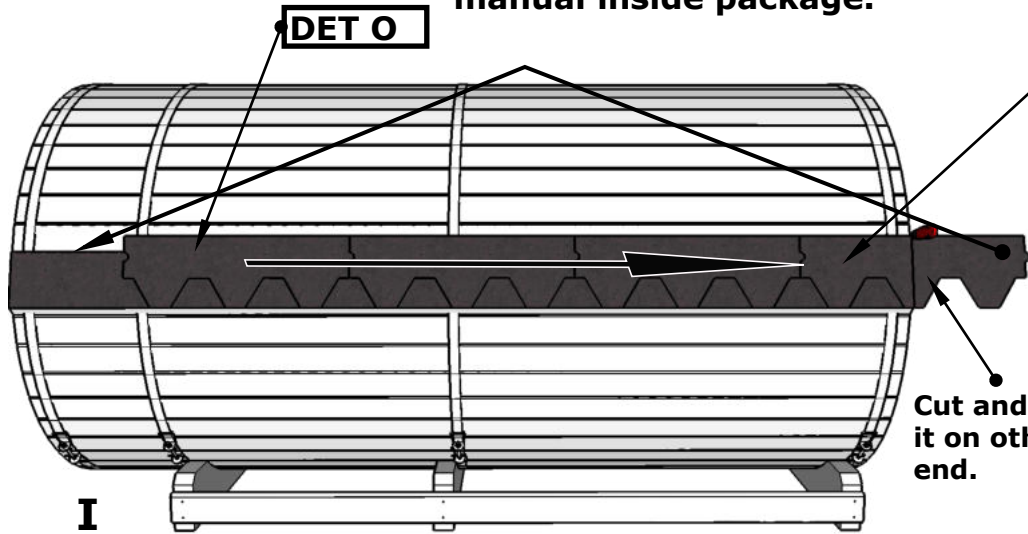
15.

# Camping 480, D 210



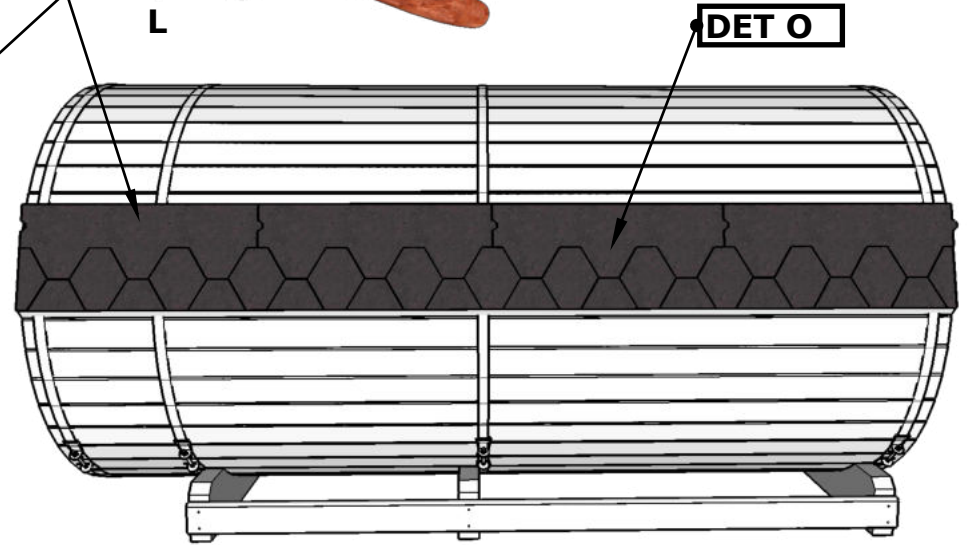
II

**NB! Check also roof shingles installation manual inside package.**



I

Cut and use it on other end.



16.

( TORK 002 )

# Camping 480, D 210

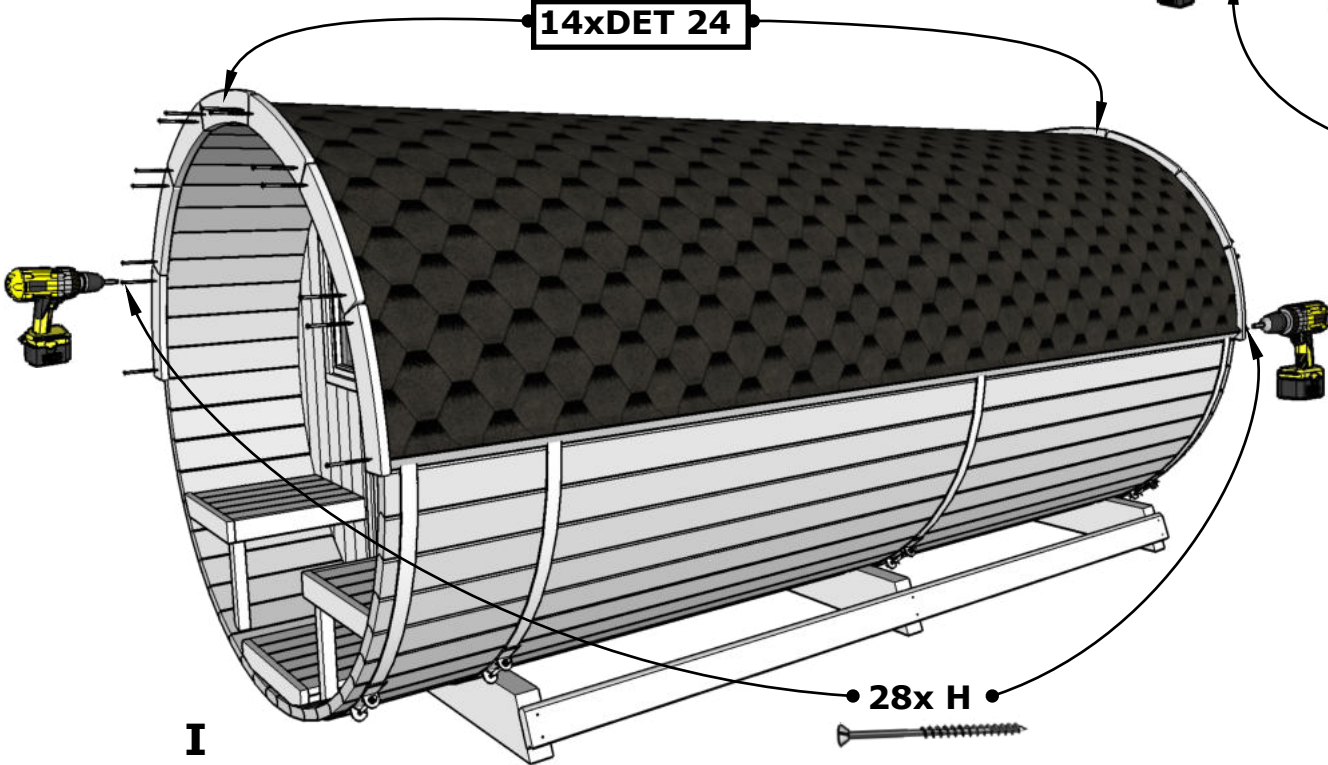


II



Remove  
DET A

14xDET 24



28x H



I

17.

( TORK 002 )