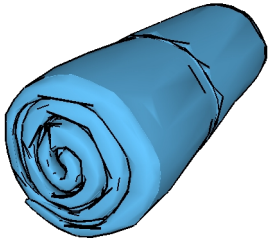
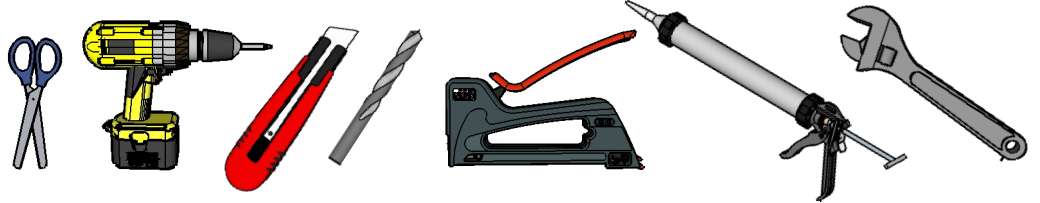


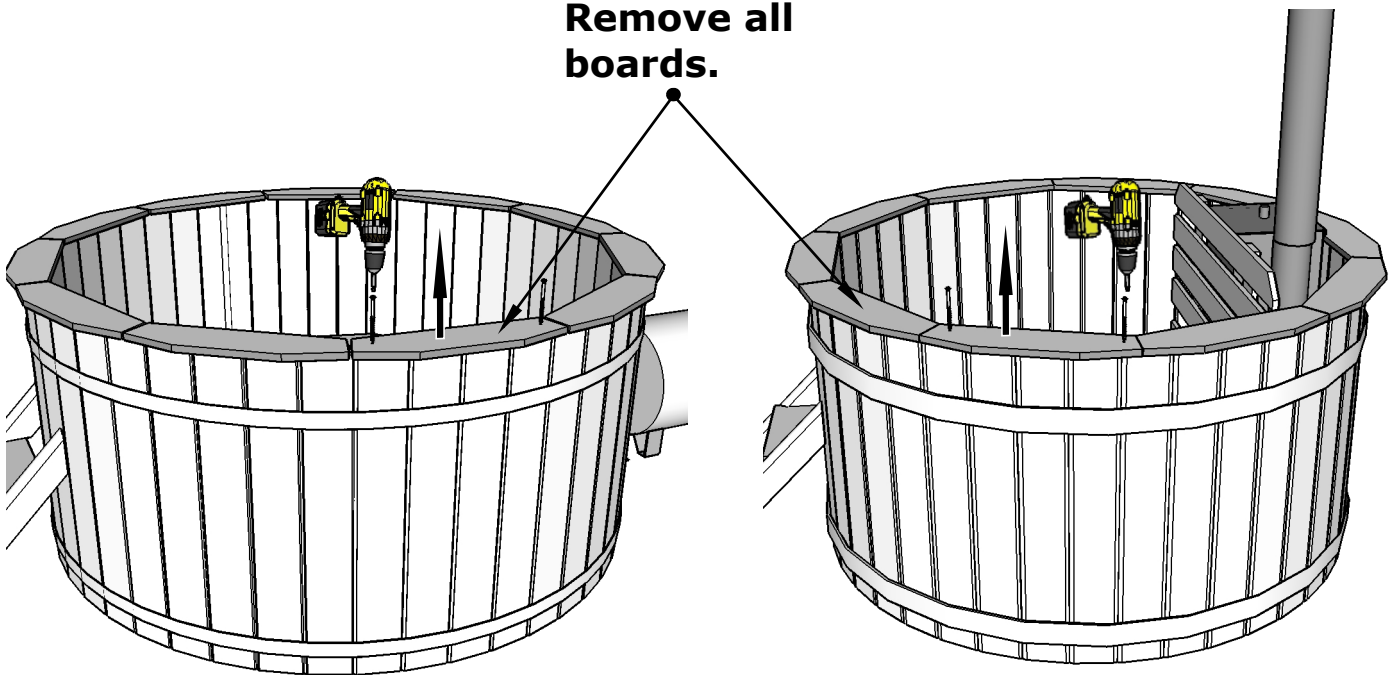
Internal PVC installation!



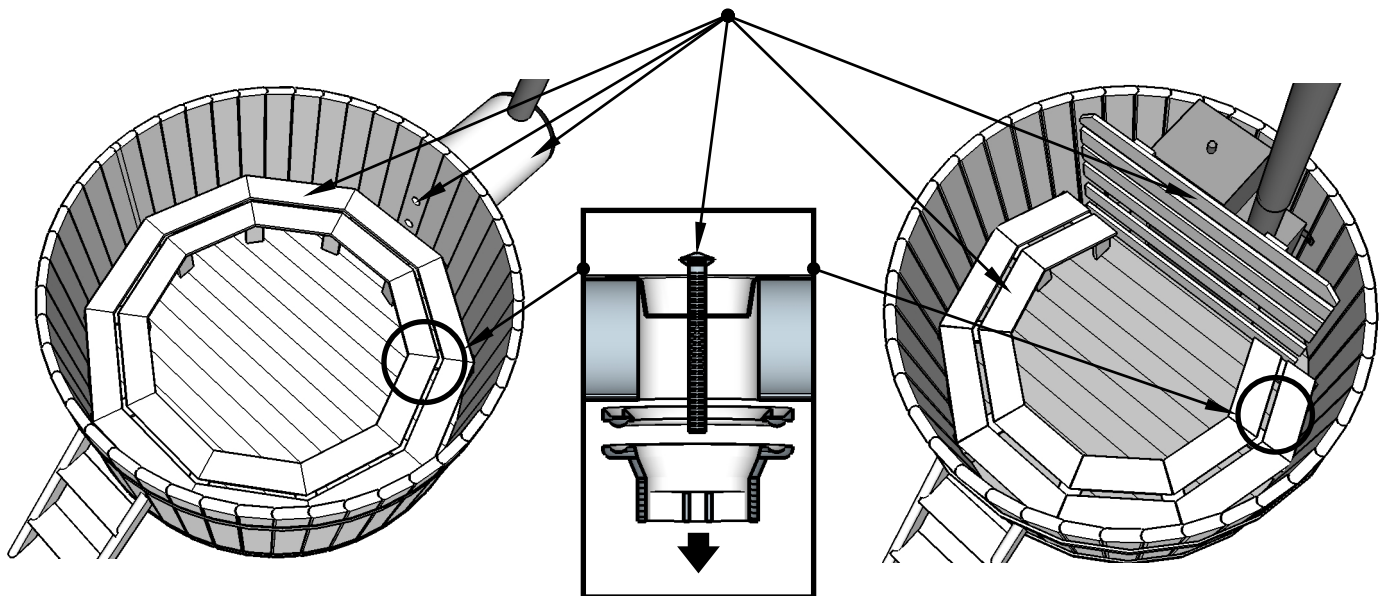
Required tools!



Remove all boards.

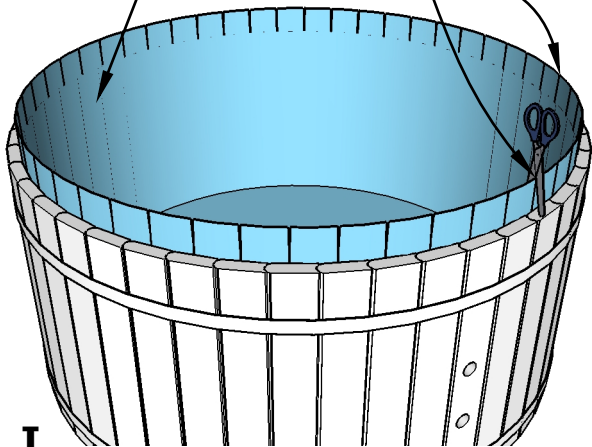


Remove seats, water inlets, outlets and heater.



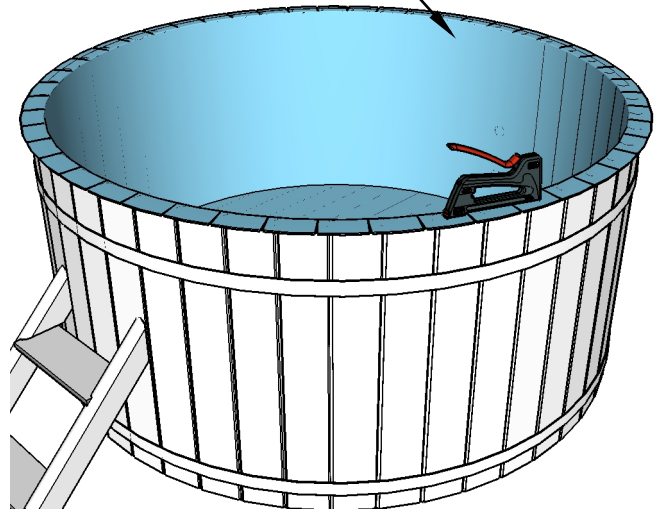
Place PVC
inside tube.

Cut
sections



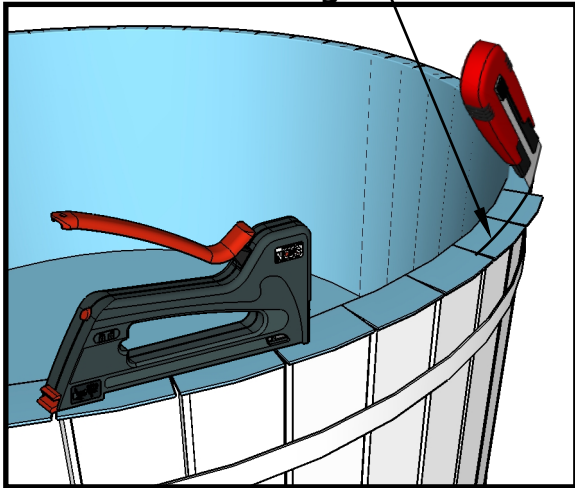
I

Fold edge and
fasten with staples.

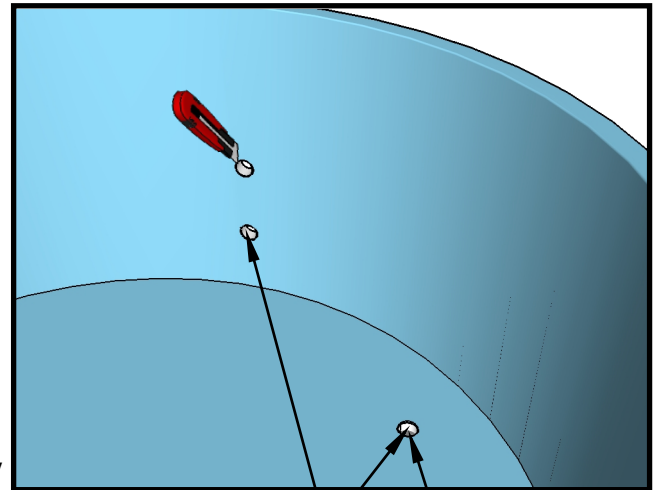


II

Cut off the parts that
extend over the edge.



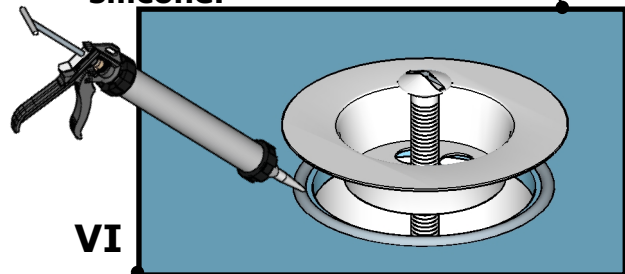
III



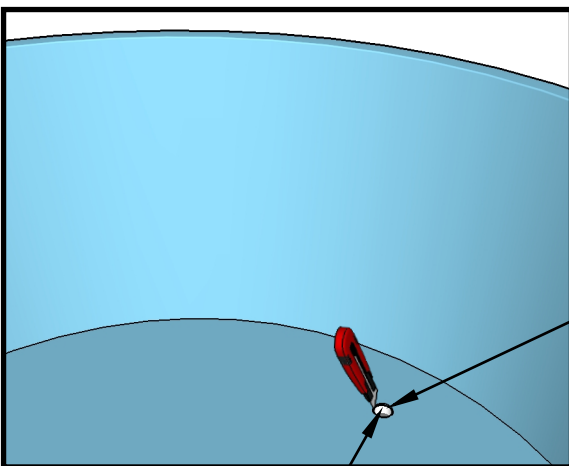
IV

Cut openings
(outside heater)

Use water resistant
silicone.

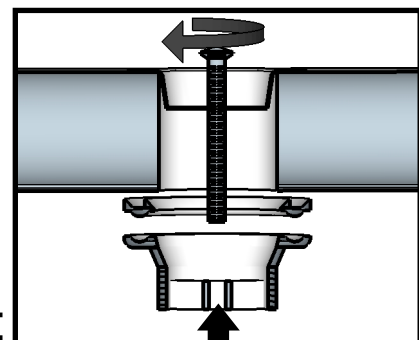


VI



V

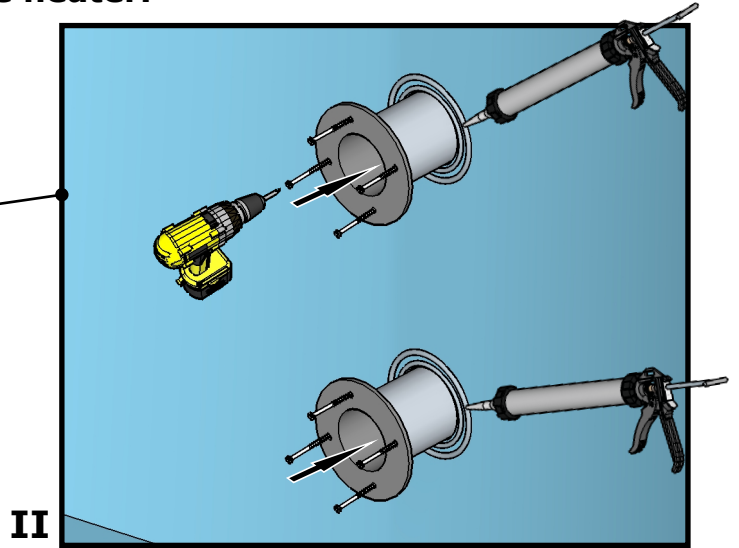
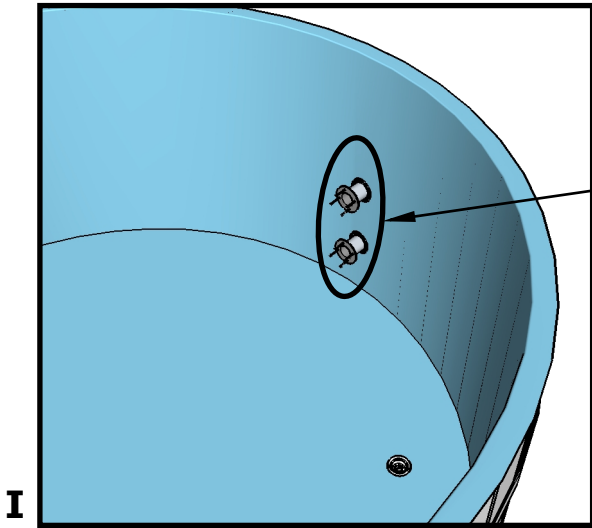
Cut opening
(inside heater)



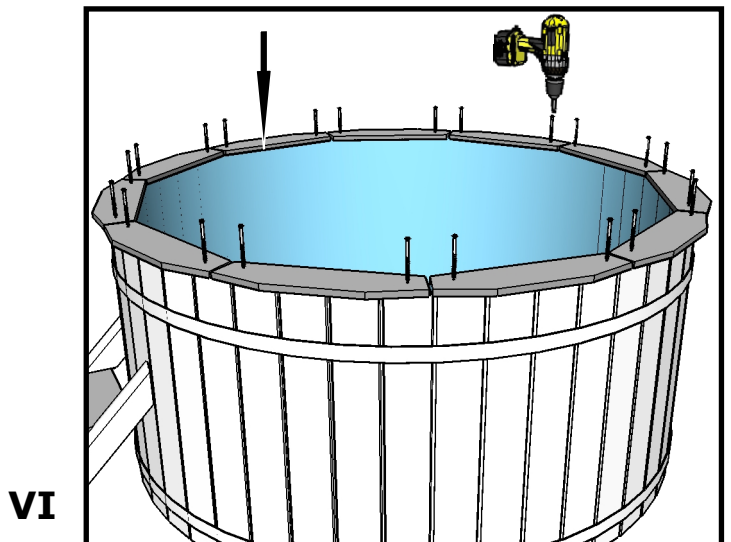
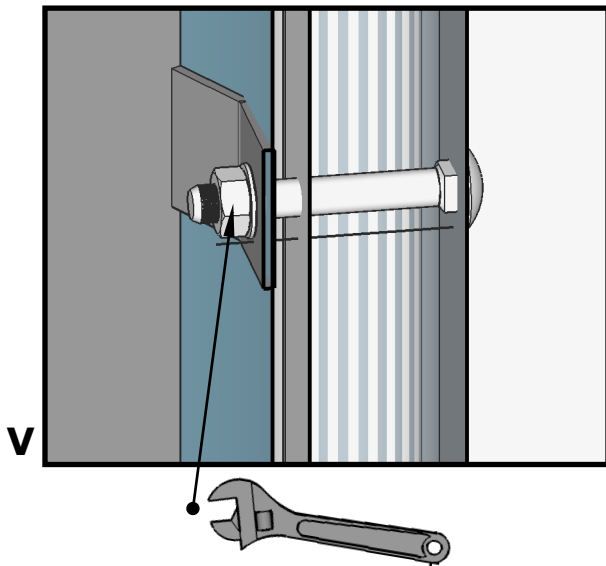
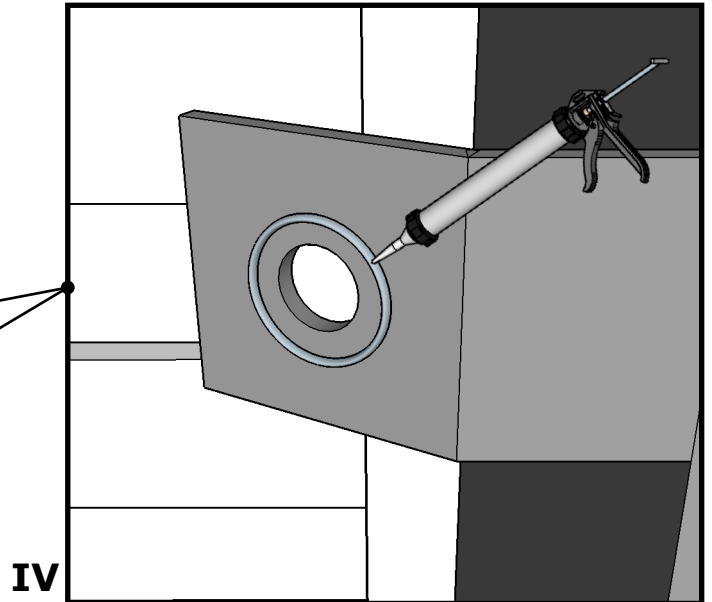
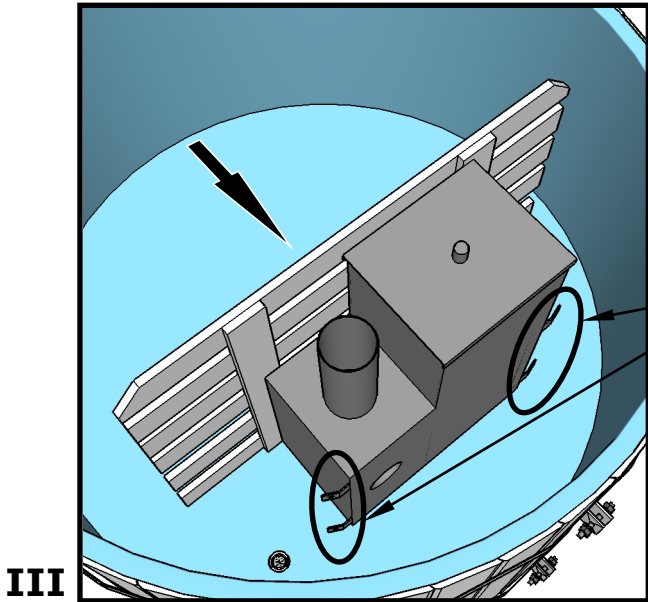
VII

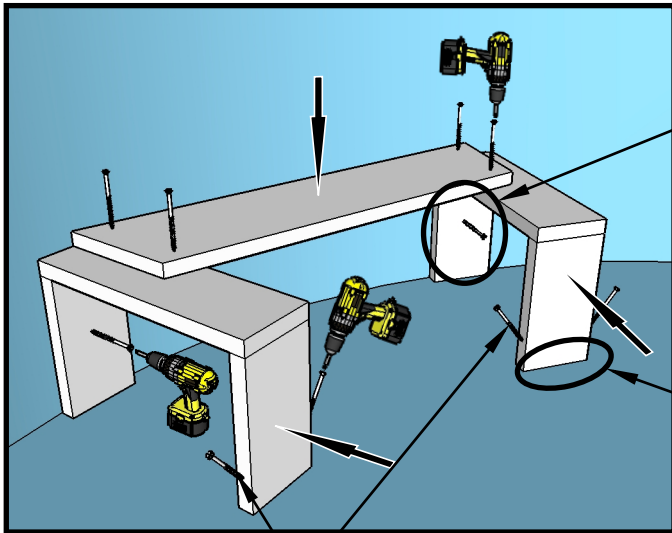
2.

Outside heater.

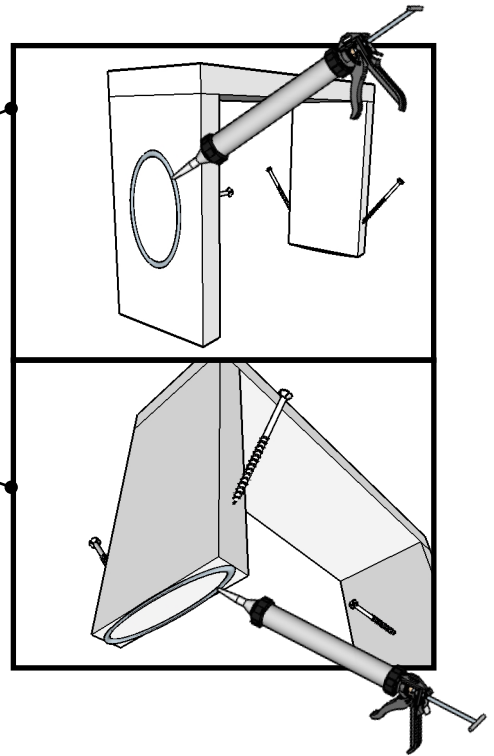


Inside heater.



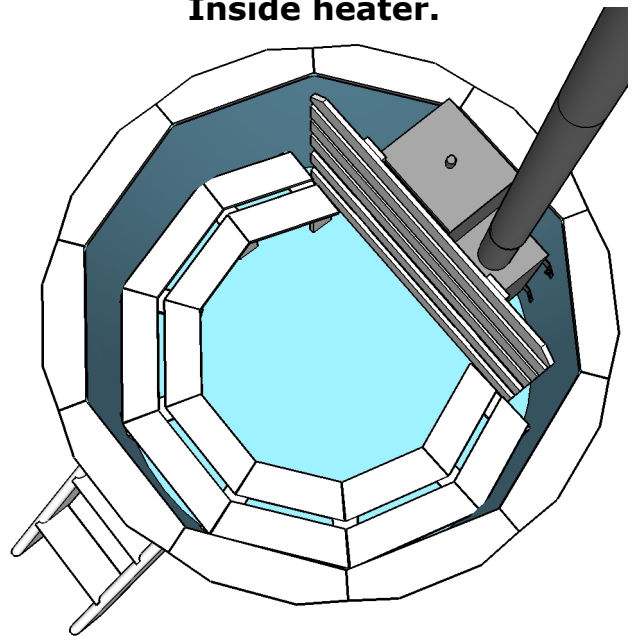
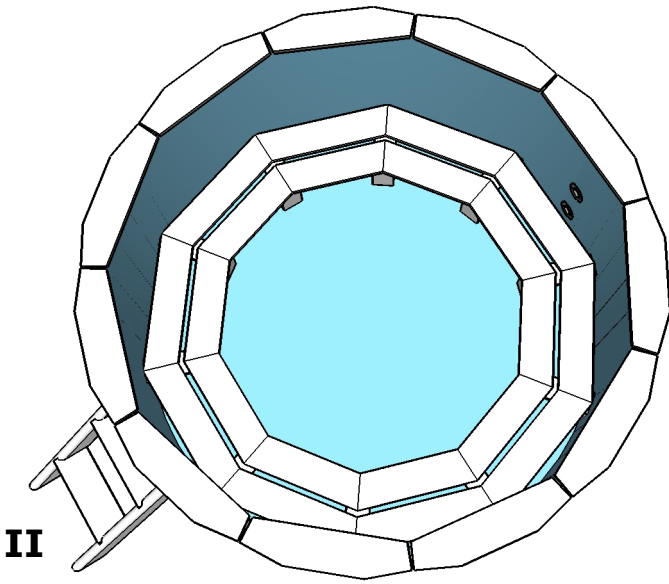


I
Drill hole Ø3mm
before screw.

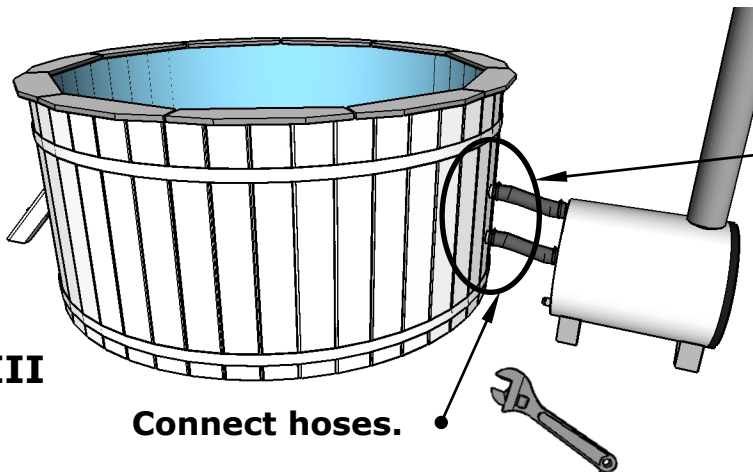


Outside heater.

Inside heater.

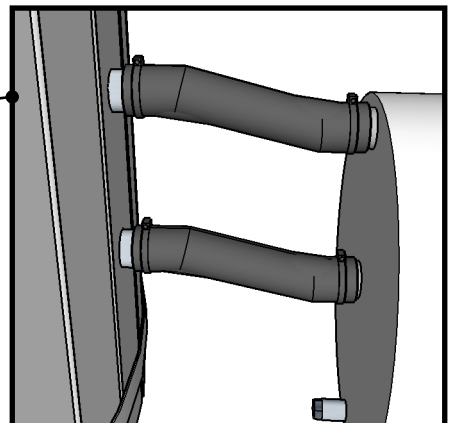


II



III

Connect hoses.



4.