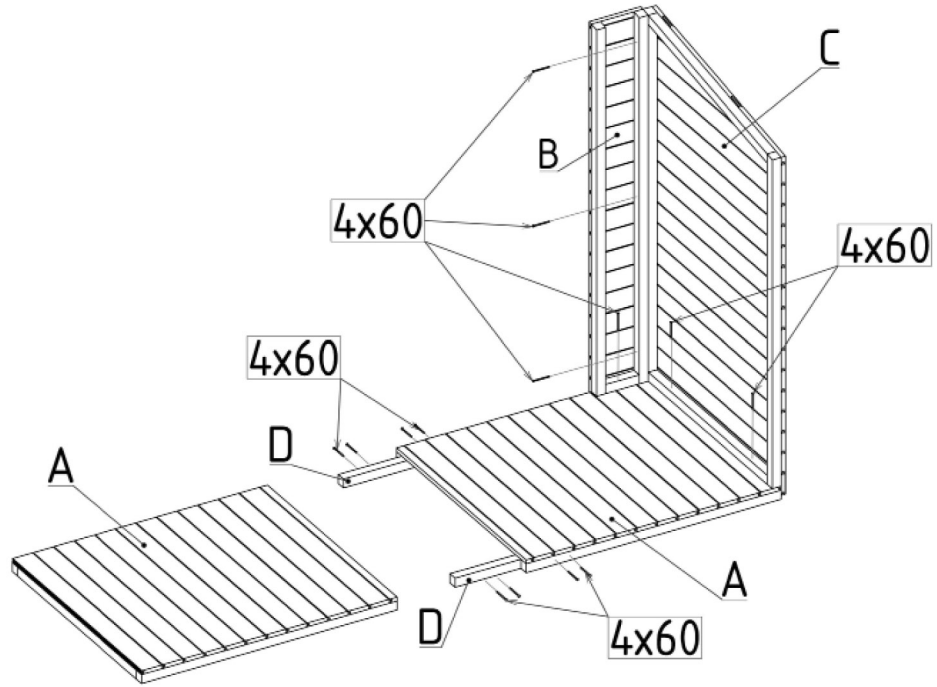


element	description	quantity	element	description	quantity
A	Floor	2	N	Wind brace long	4
B	Front wall	2	O	Lath on roofing paper	3
C	Side wall	2	P	Big bolt	1
D	Floors connector	2	R	Angle	2
E	Ridge	1	4x60	Screw	33
F	Front wall connector	1	4x80	Screw	4
G	Back wall	2	3x30	Screw	28
H	Covering lath	4	3x40	Screw	42
I	Hinge	4	4x40	Screw	16
J	Door	2	4x30	Screw	8
K	Small bolt	2	5x30	Screw	4
L	Roof	2	3x25	Screw	9
M	Wind brace short	2			

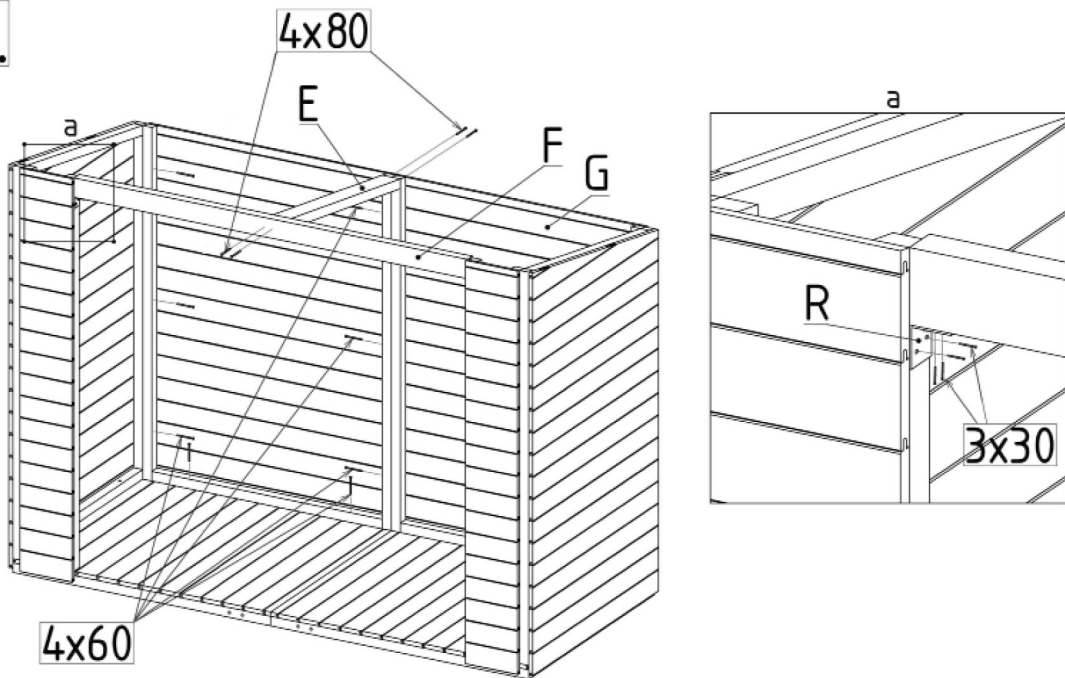
BIKE CABINET



1.

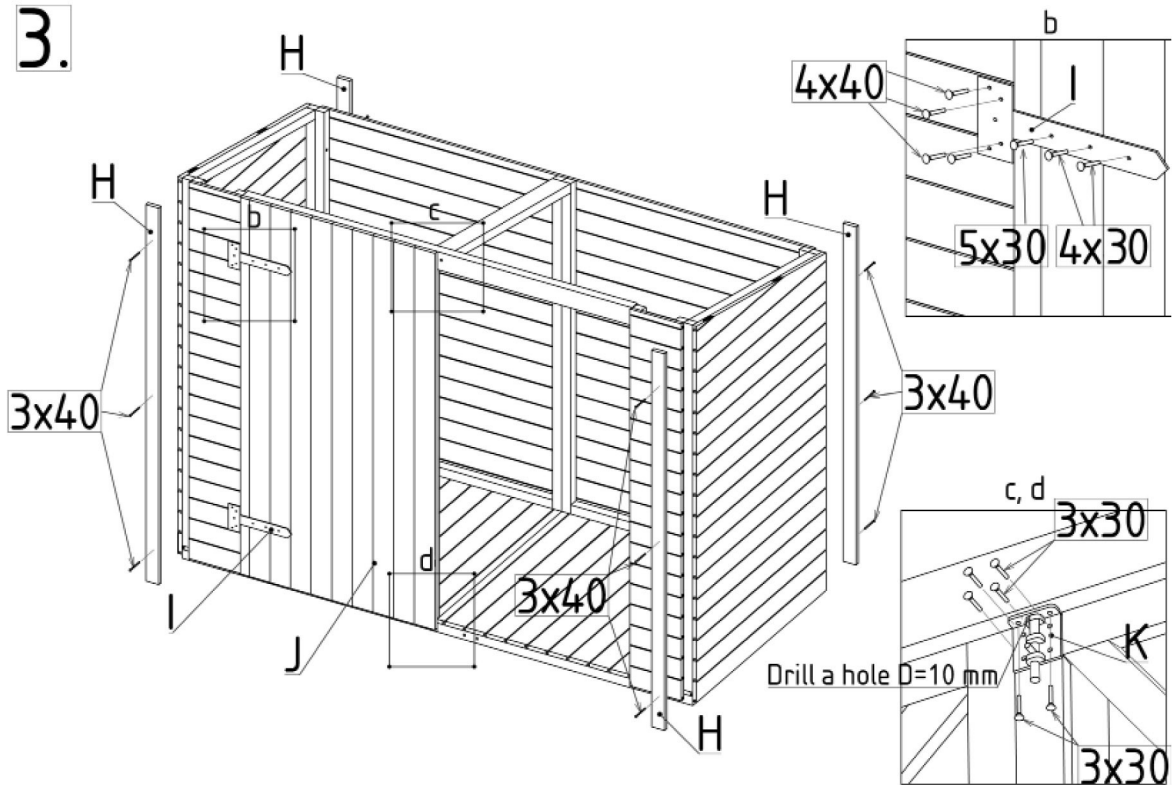


2.





3.



4.

