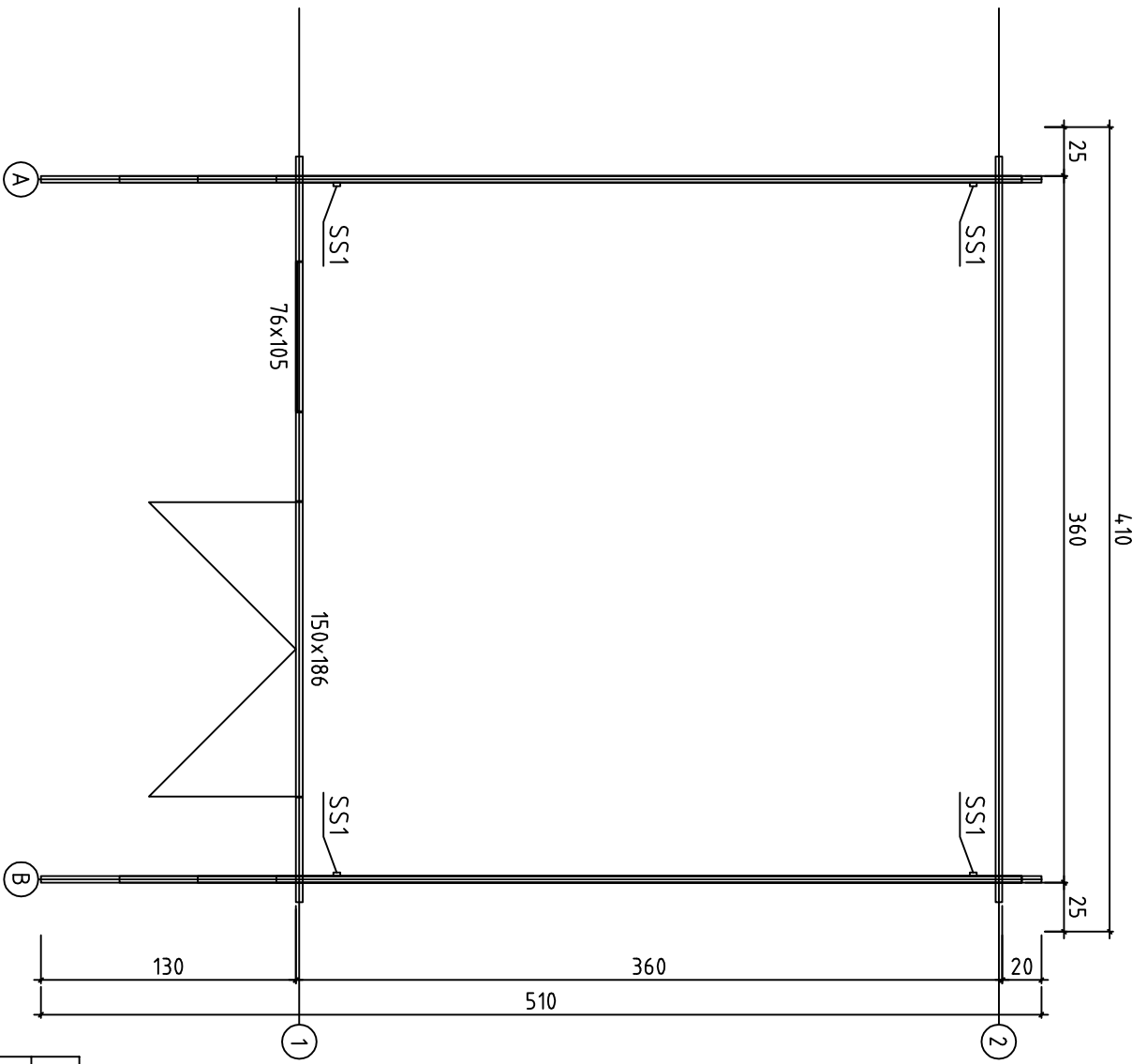


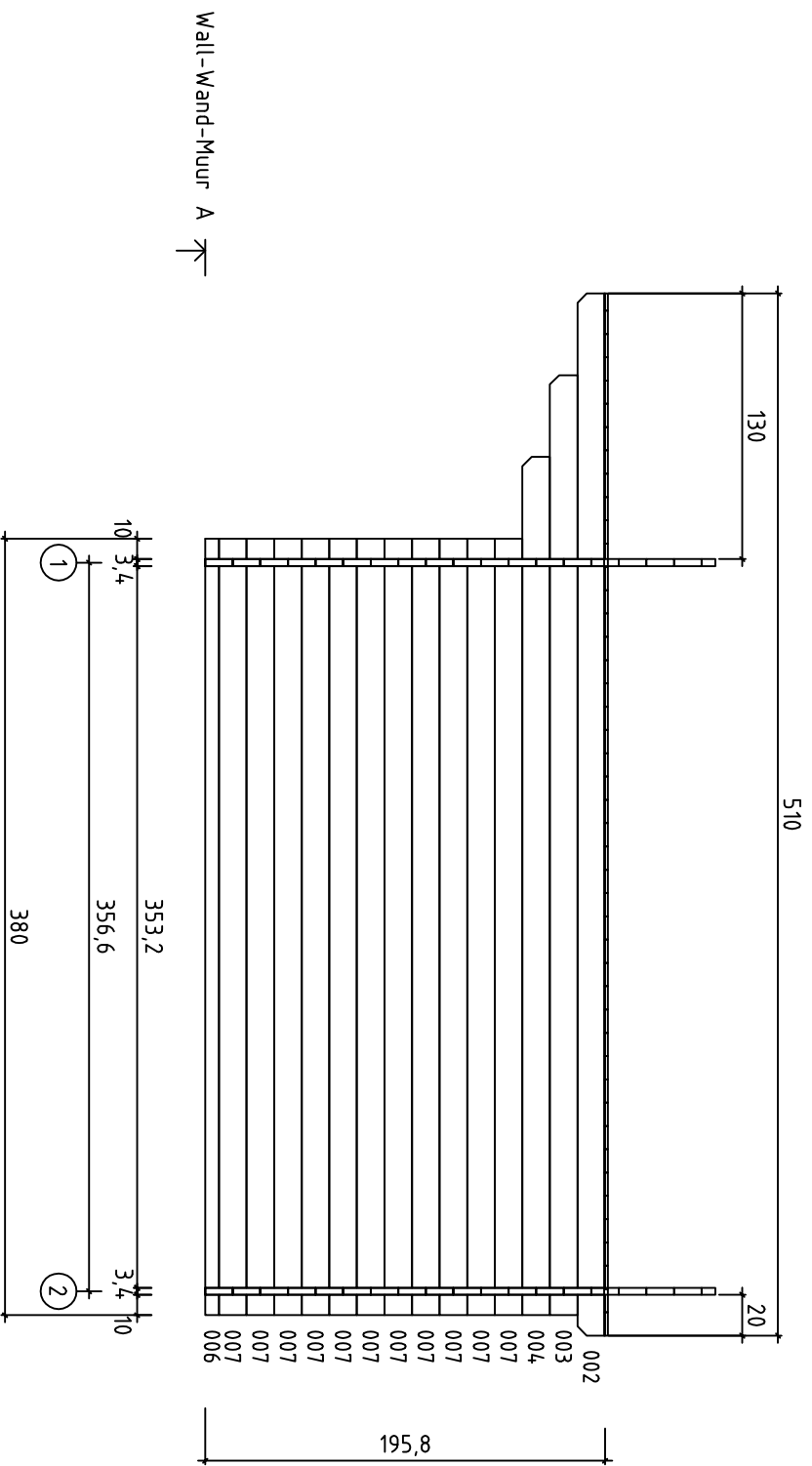
Date rev. Description

V 1.0

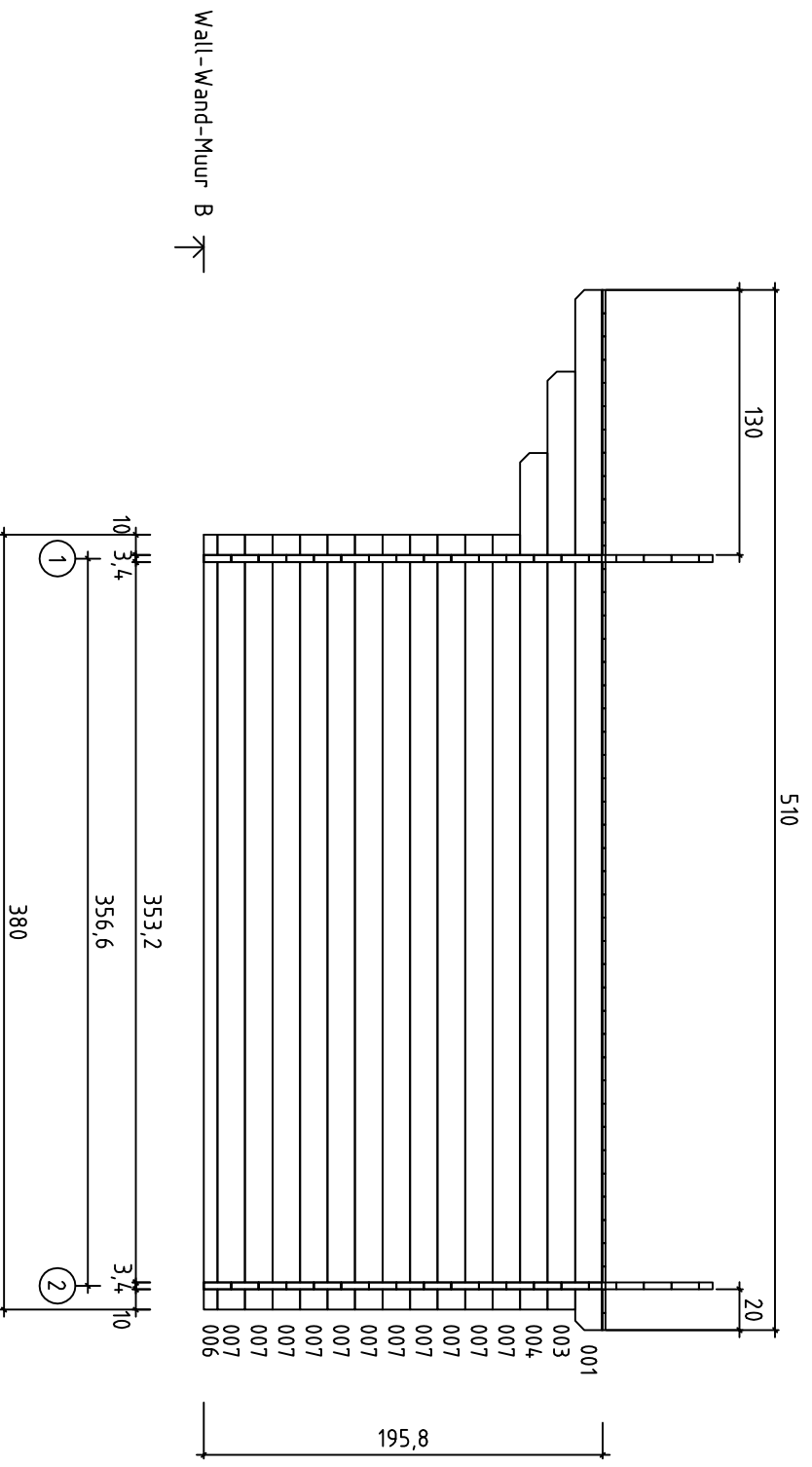
House	Sauerland 2	Sheet	1
Drawing	3D	Scale	
Material	34x135	Date	21.08.2019
Drawer	K.K.	File	Sauerland 2 3D.dwg



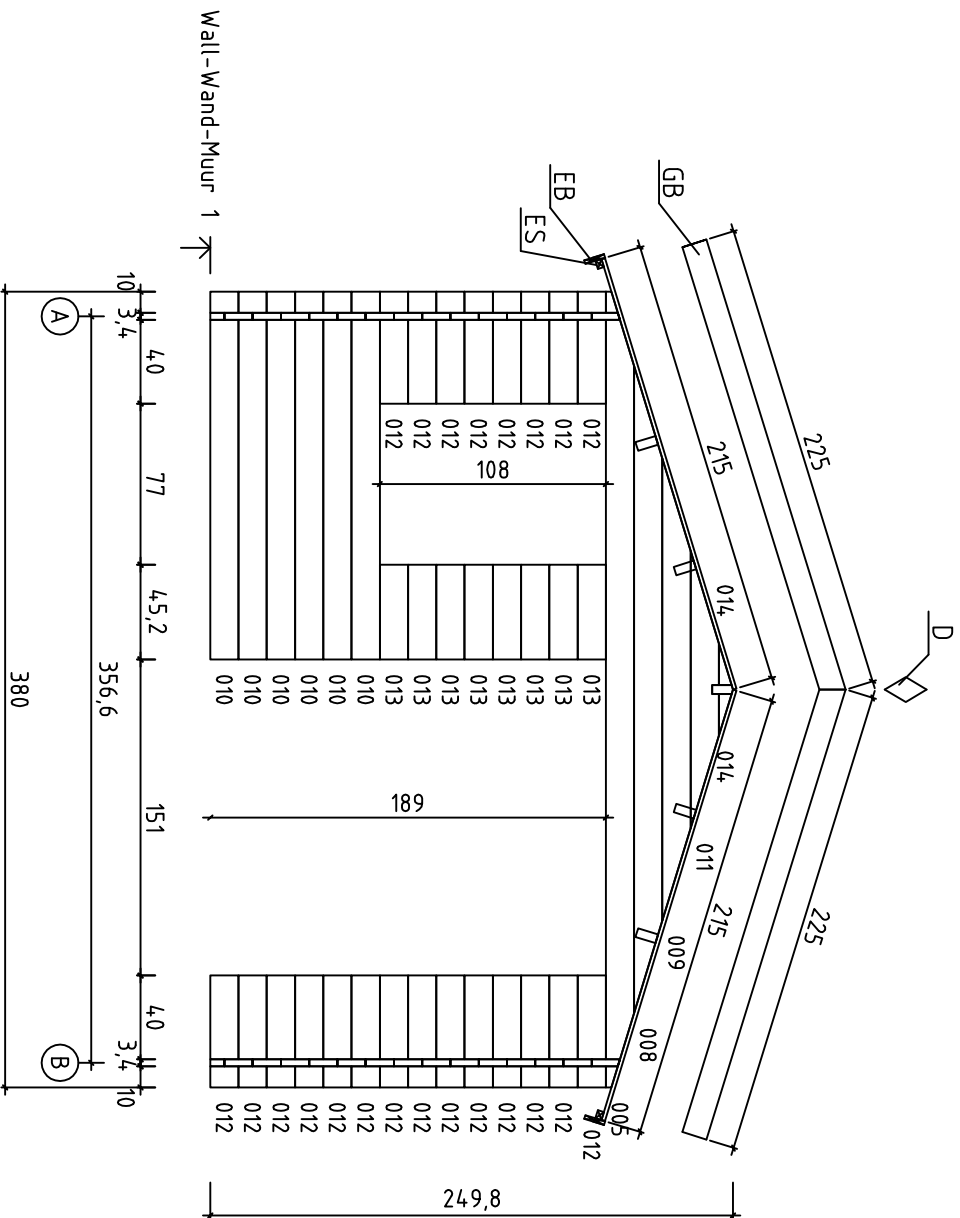
House	Sauerland 2 - 34	Sheet	2
Drawing	Plan	Scale	1:35
Material	34x135	Date	21.08.2019
Drawer	K.K.	File	Sauerland 2 - 34.dwg



House	Sauerland 2 - 34	Sheet	3
Drawing	WALL - WAND - MUUR A	Scale	1:35
Material	3,4x13,5	Date	21.08.2019
Drawer	K.K.	File	Sauerland 2 - 34.dwg

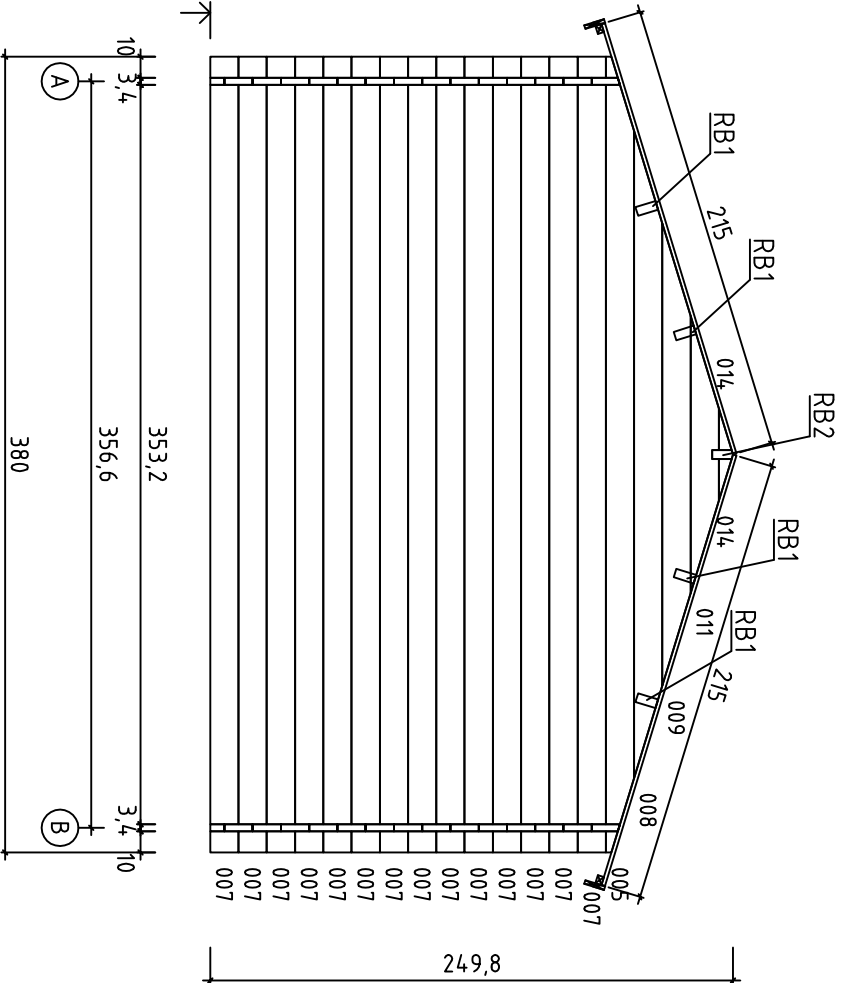


House	Sauerland 2 - 34	Sheet	4
Drawing	WALL-WAND-MUUR B	Scale	1:35
Material	3,4x13,5	Date	21.08.2019
Drawer	K.K.	File	Sauerland 2 - 34.dwg







House	Sauerland 2 - 34	Sheet	5
Drawing	WALL - WAND - MUUR 1	Scale	1:35
Material	3,4x13,5	Date	21.08.2019
Drawer	K.K.	File	Sauerland 2 - 34.dwg

Wall-Wand-Muur 2

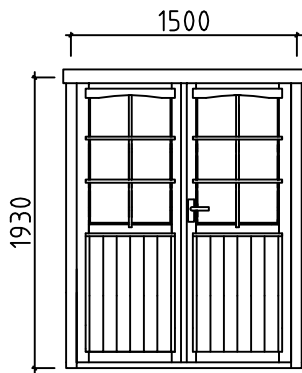


House	Sauerland 2 - 34	Sheet	6
Drawing	WALL - WAND - MUUR 2	Scale	1:35
Material	3,4x13,5	Date	21.08.2019
Drawer	K.K.	File	Sauerland 2 - 34.dwg

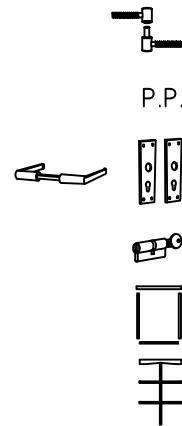
Pos	Sauerland 2 - 34	Pcs	Profil (mm)	L (mm)
001		1	34x135	5100
002		1	34x135	5100
003		2	34x135	4600
004		2	34x135	4200
005		2	34x135	3800
006		2	34x68	3800
007		36	34x135	3800
008		2	34x135	3091
009		2	34x135	2208
010		6	34x135	1756
011		2	34x135	1325
012		22	34x135	534
013		8	34x135	452
014		4	34x61	199
SB	SPARE BEAM-ERSATZBOHLE-MADRIER DE RESERVE 	1	34x135	5050
SH	HIT BLOCK-SCHLAGHÖLZER-MADRIERS D'ASSEMBLAGE 	2	34x135	300
W1-1		1	34x601	3800
W2-1		1	34x601	3800
SS1	Wind slats 	4	35x18	1957
RB1	ROOFBEAMS-DACHBALKEN-SOLIVES DE PLAFOND 	4	43x140	5100
RB2	ROOFBEAMS-DACHBALKEN-SOLIVES DE PLAFOND 	1	43x140	5100
	ROOFBOARD/DACHBRETTER/KATTOLAUTA 	117+1 90+1	18x88 18x114	2150
GB	GABLE BOARD-GIEBELLENDE-PLANCHE DE RIVE 	4	18x120	2250
Kood	Sauerland 2 - 34	Materjal	File	Sauerland 2 - 34.dwg
			Leht	7

Pos	Sauerland 2 - 34		Pcs	Profil (mm)	L (mm)
EB	EAVE BOARD-TRAUFBRETT-LATTES SOUS VOLIGES		4	18x120	2550
ES	EAVE SLAT-TRAUFFENLEISTE- Baguettes pour fixer les lattes sous voliges		4	30x40	2550
RFF	ROOF FELT FILLET-GIEBELLEISTE- Baguettes pour fixer les planches de rive		4	18x70	2250
D	DIAMOND-RAUTE-ELEMENT DE DECORATION		2	18x90	200

DOUBLEDOOR-DOPPELTÜR-DUBBELE DEUR (right-rechts-rechts)



AST_PL



6

P.P.

1

1

1

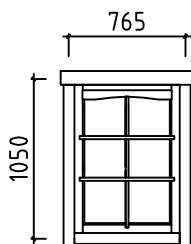
1

2

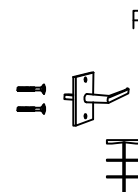
1500

1930

WINDOW-FENSTER-Fenêtre 765x1050 1 pcs-st-unt (right-rechts-Droit)



AST_KP



P

1

1

1

765

1050