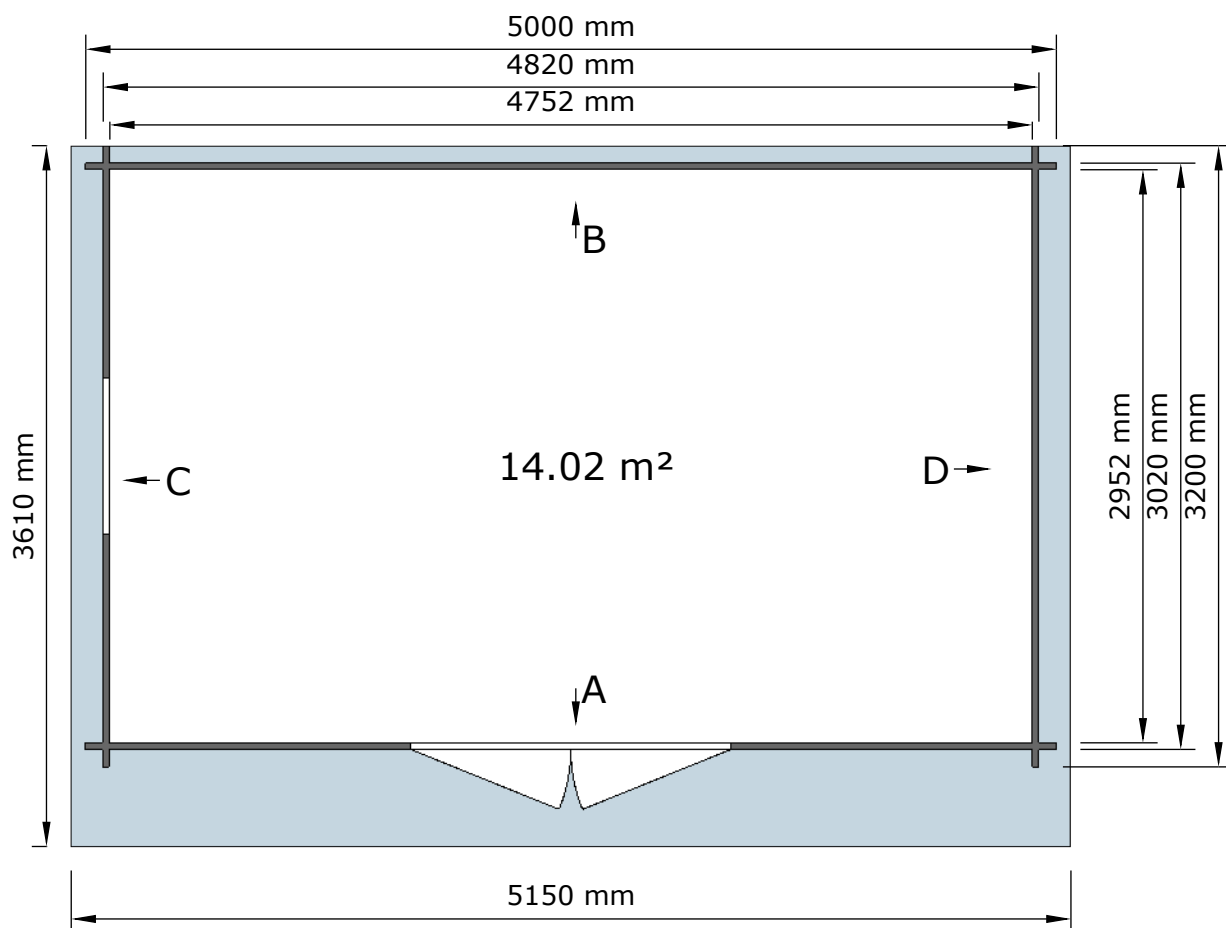
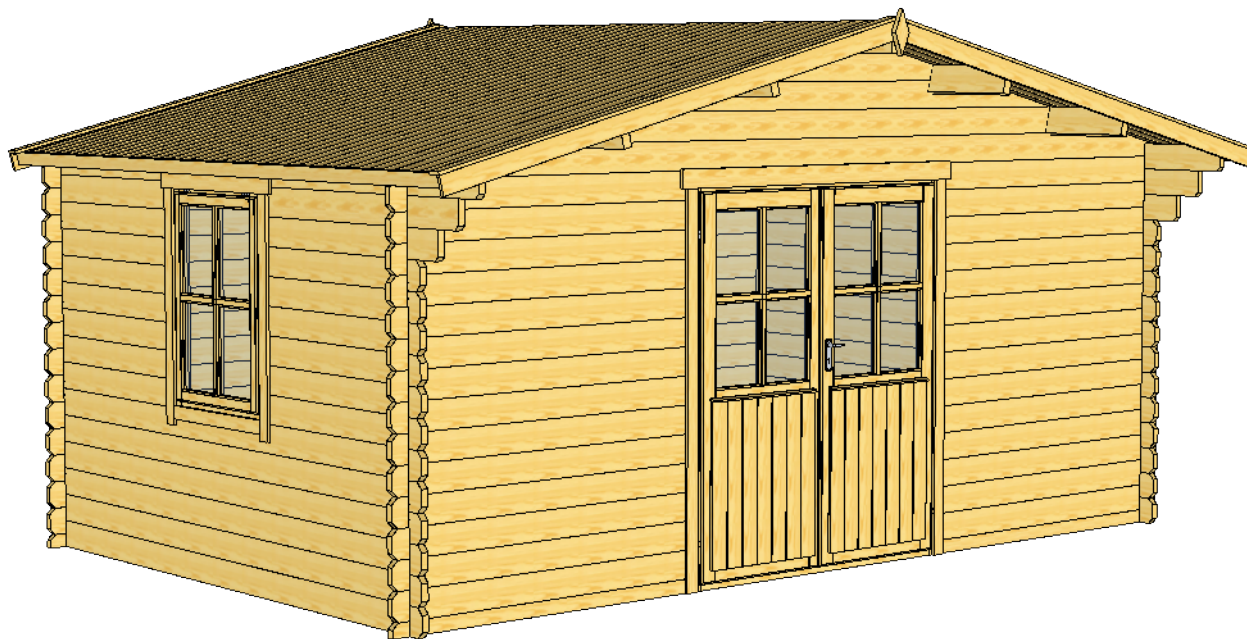
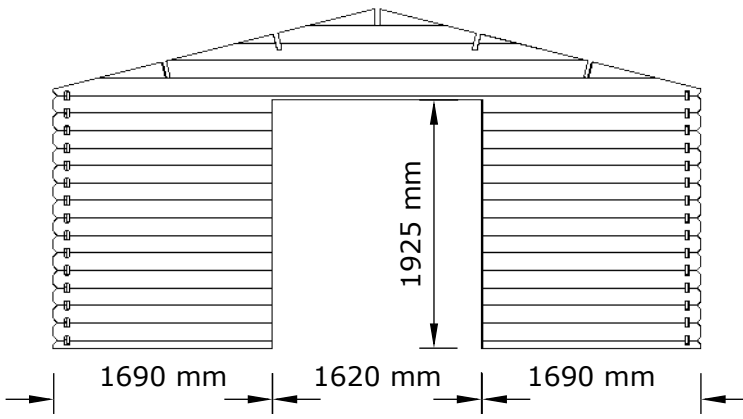


KOKO 10 (5,0x3,2)

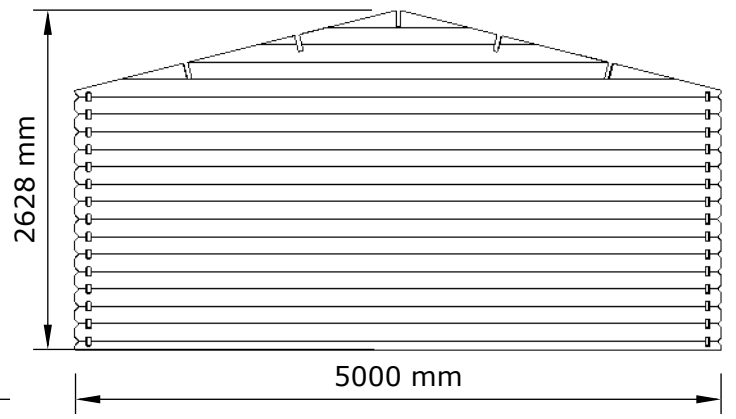
Manual



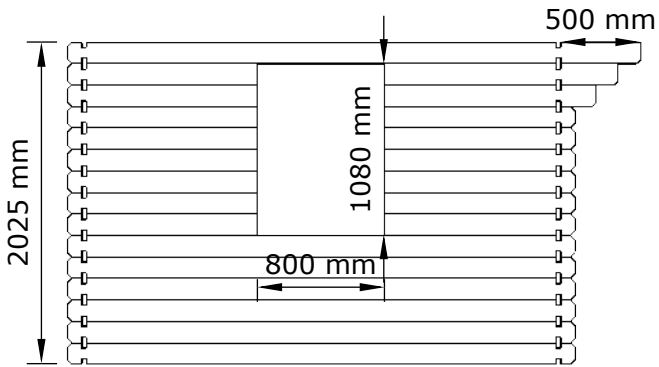
A



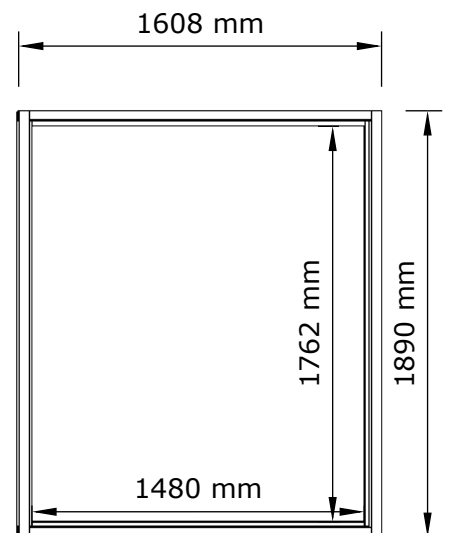
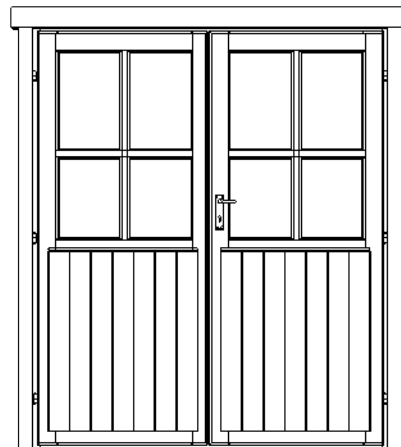
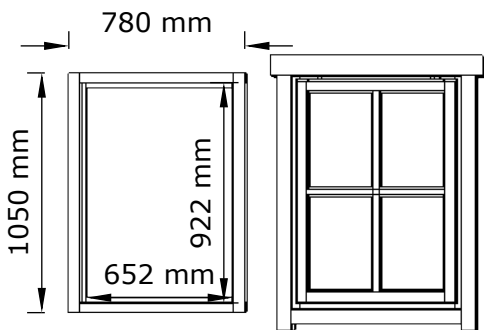
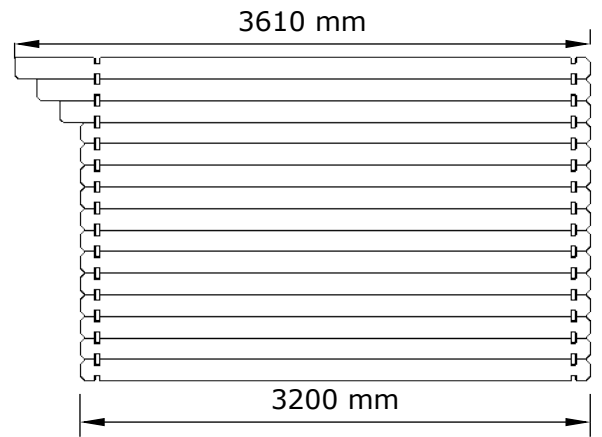
B



C



D



Koko 10 5.0x3.2 LIST 34mm

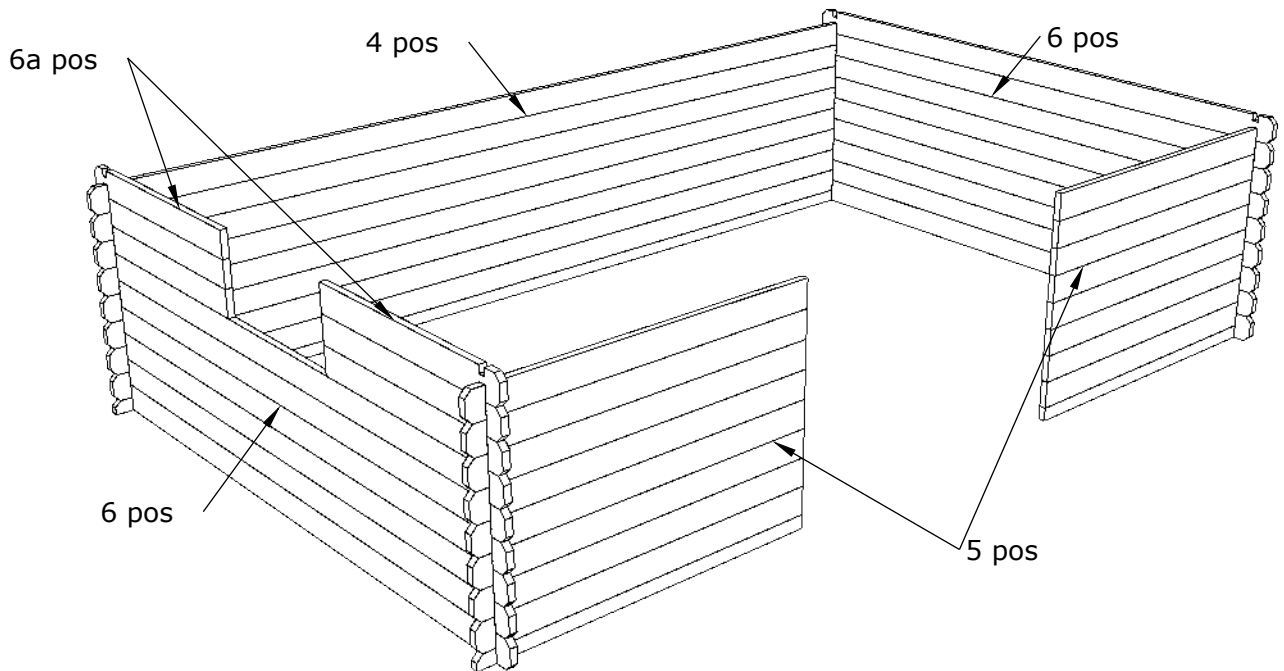
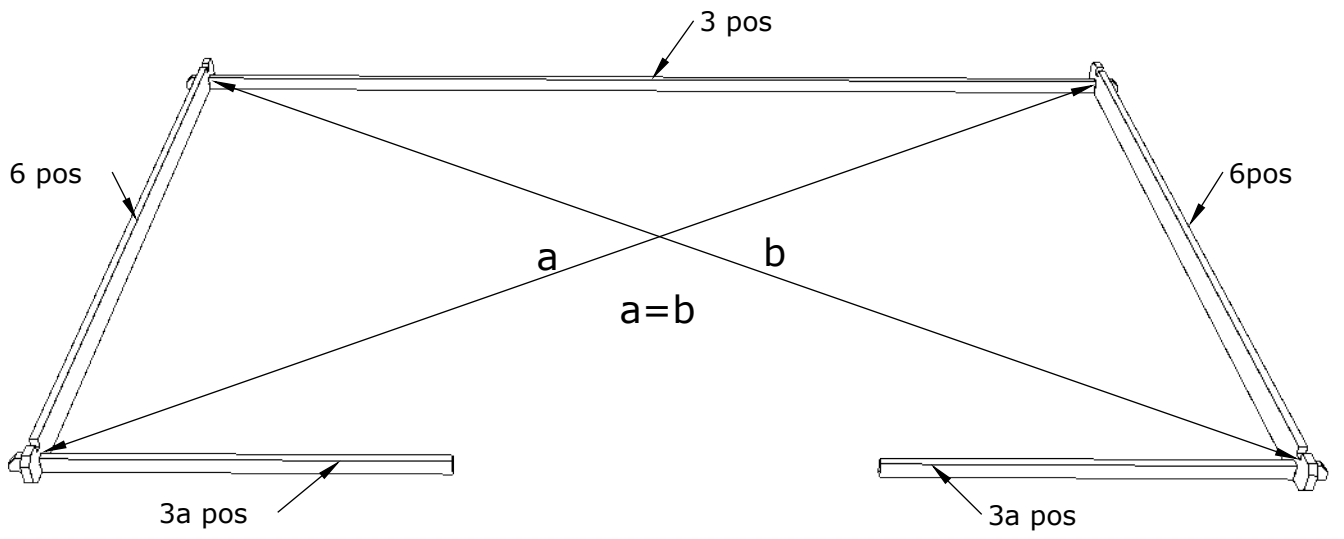
Pos	Size, mm h x b x l			Quantity		Destination
3	34	67,5	5000	1		Wall B
3a	34	67,5	1690	2		Wall A
4	34	135	5000	14		Wall B
4.1	34	135	5000	1		Wall A
5	34	135	1690	26		Wall A
6	34	135	3200	18		Wall C,D
6a	34	135	1200	14		Wall C
7	34	135	1330	1		Wall C
7a	34	135	3330	1		Wall D
7b	34	135	1470	1		Wall C
7c	34	135	3470	1		Wall D
7d	34	135	3610	2+1		Wall C,D
8	34	670	5000	2		Vault
9	44	140	3610	1		Rafter
9a	44	140	3610	4		Rafter
10	16	90	2650	82+1		Roof board
11	16	90	2700	4		Wind board
11a	16	65	2700	4		Wind board
12	16	90	3610 (1805)	2 (4)		Roof board
13						Diamond
15	16	65	1120	4		
15a	16	90	990	2		
15b	16	65	750	2		
16	16	65	1890	4		
16a	16	90	1760	2		
18				1		1xWindow
19				1		2xDoor

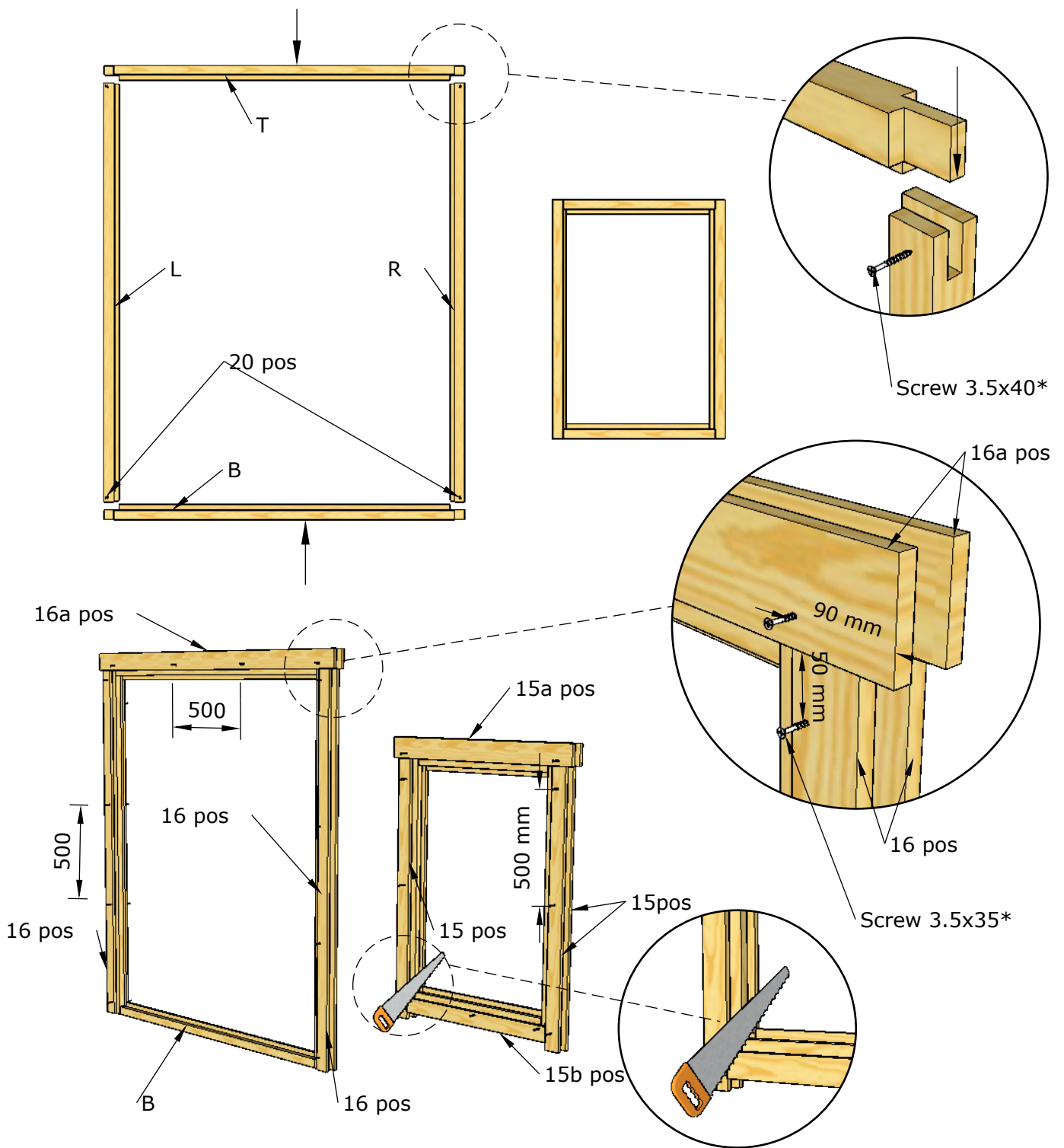
Recommendations.

It is recommended to install a ventilation system in the house.

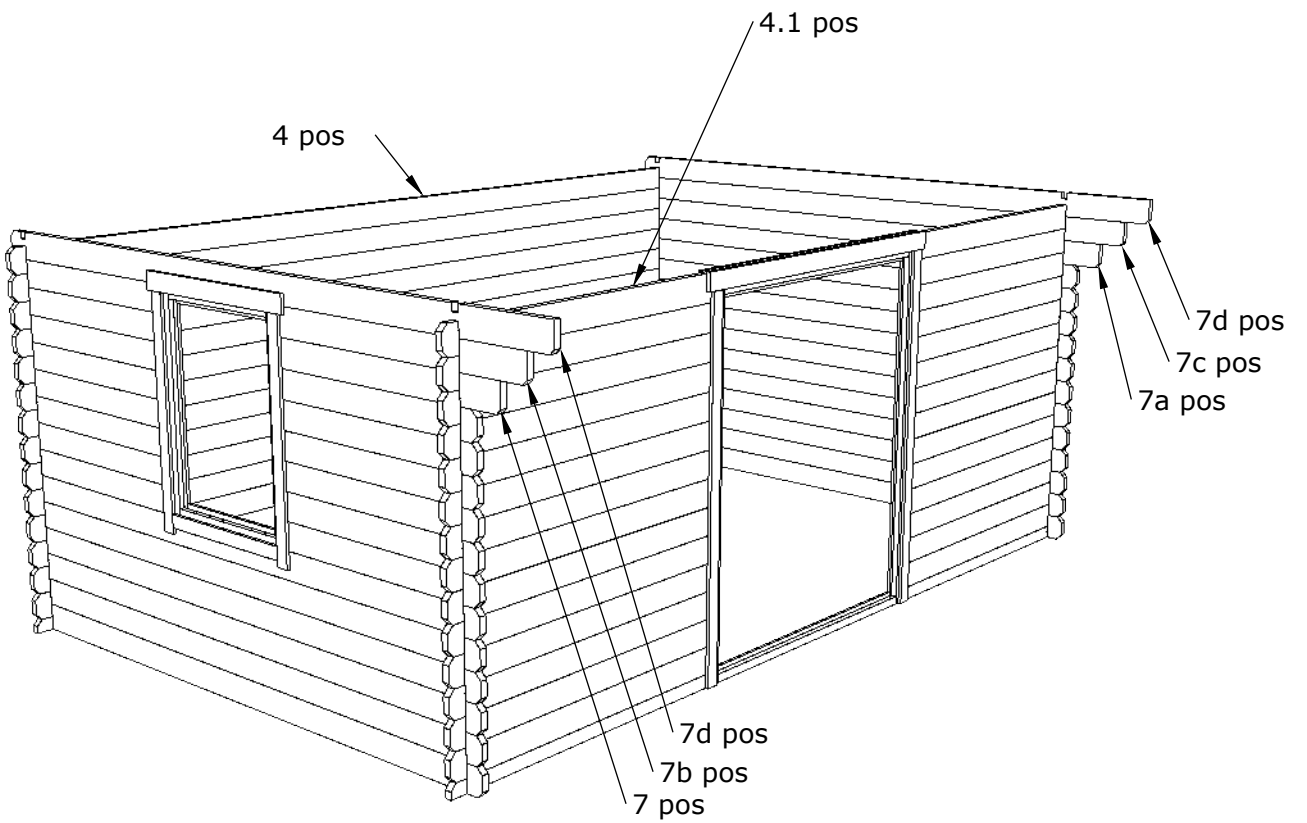
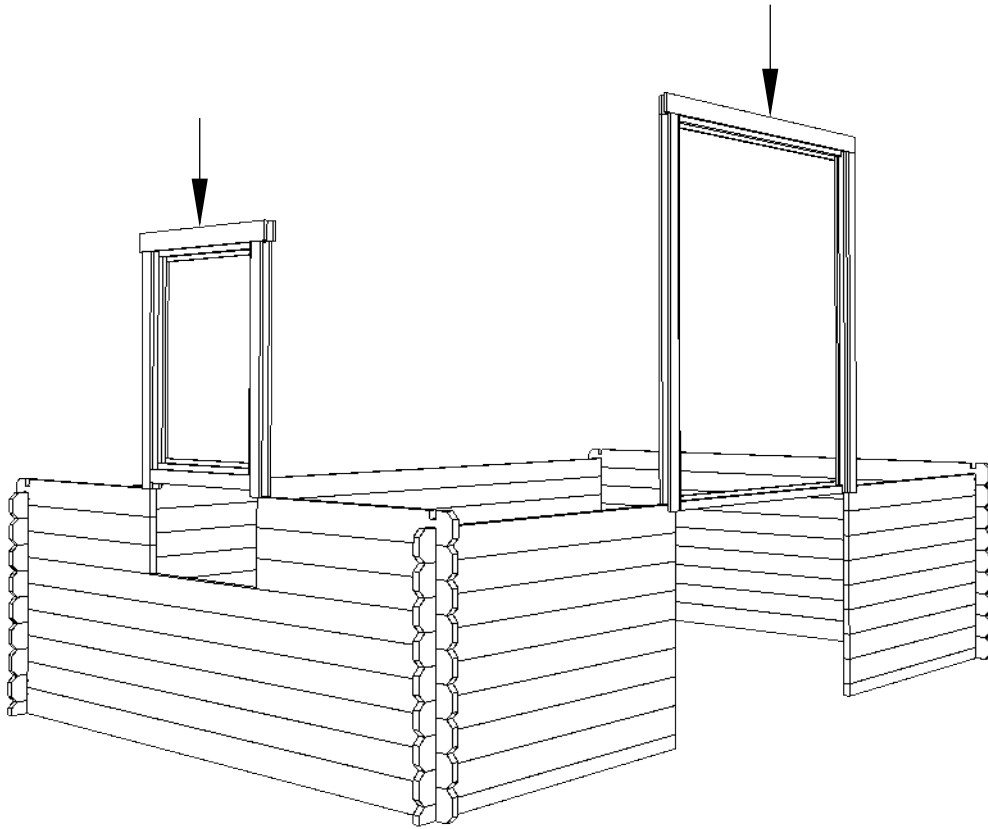


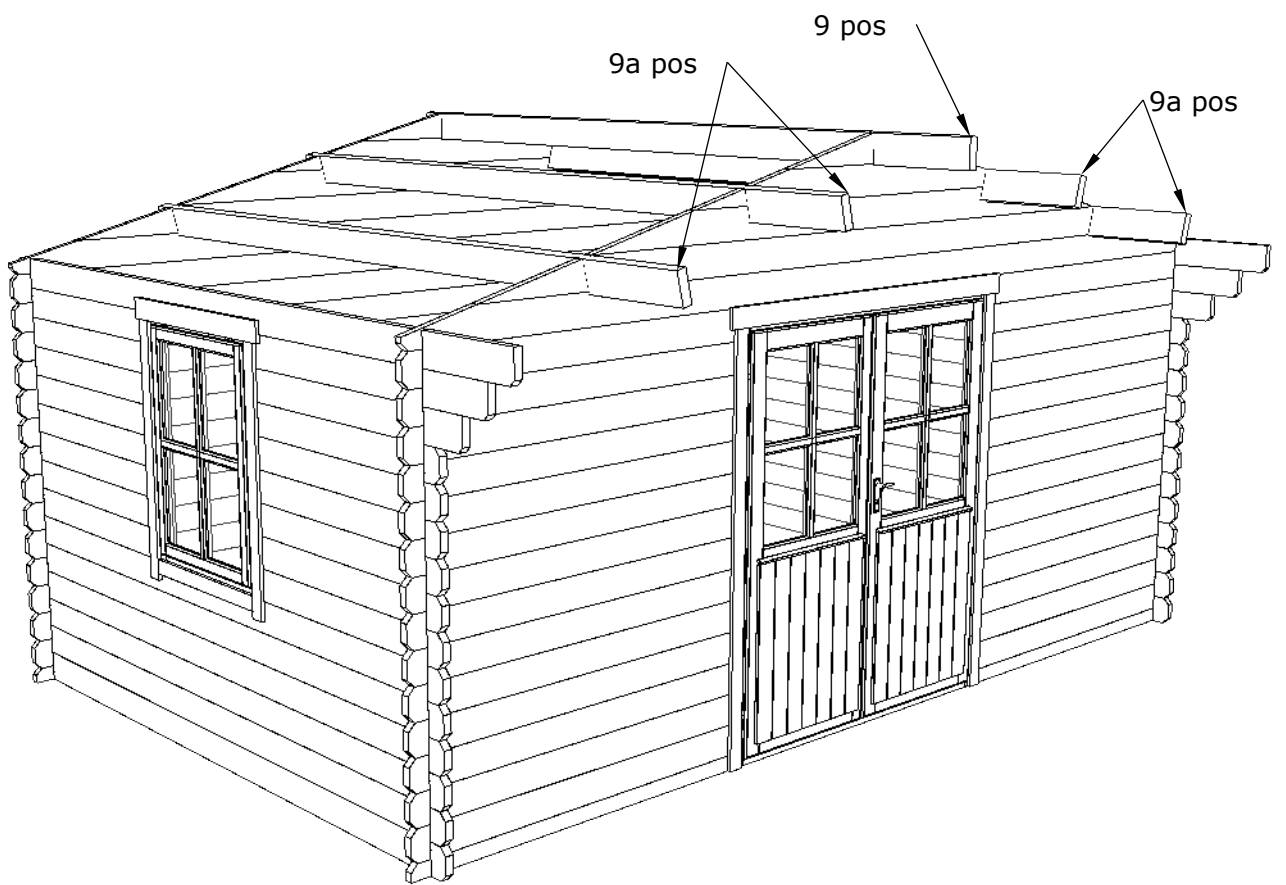
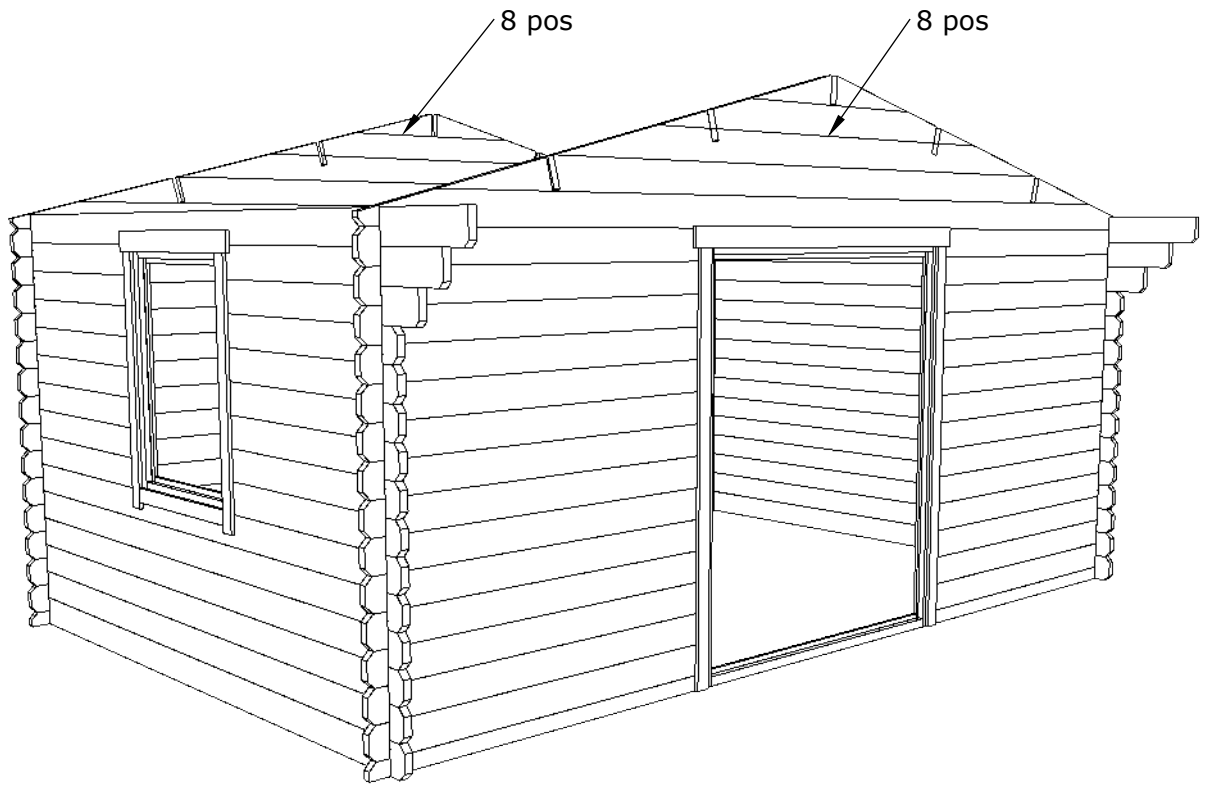
Assembly of the house requires at least minimum knowledge in the field of assembly of wood products. Otherwise, we recommend hiring a specialist.

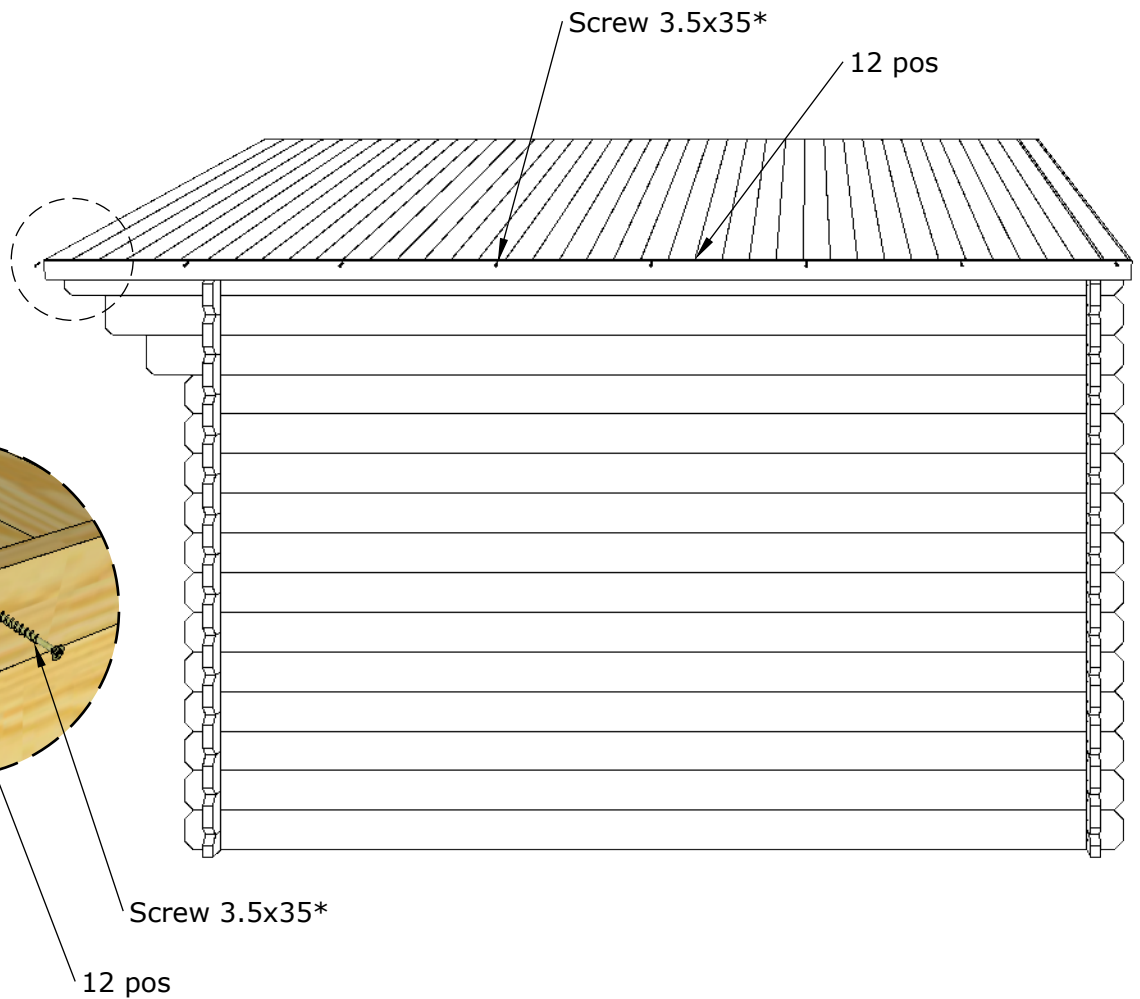
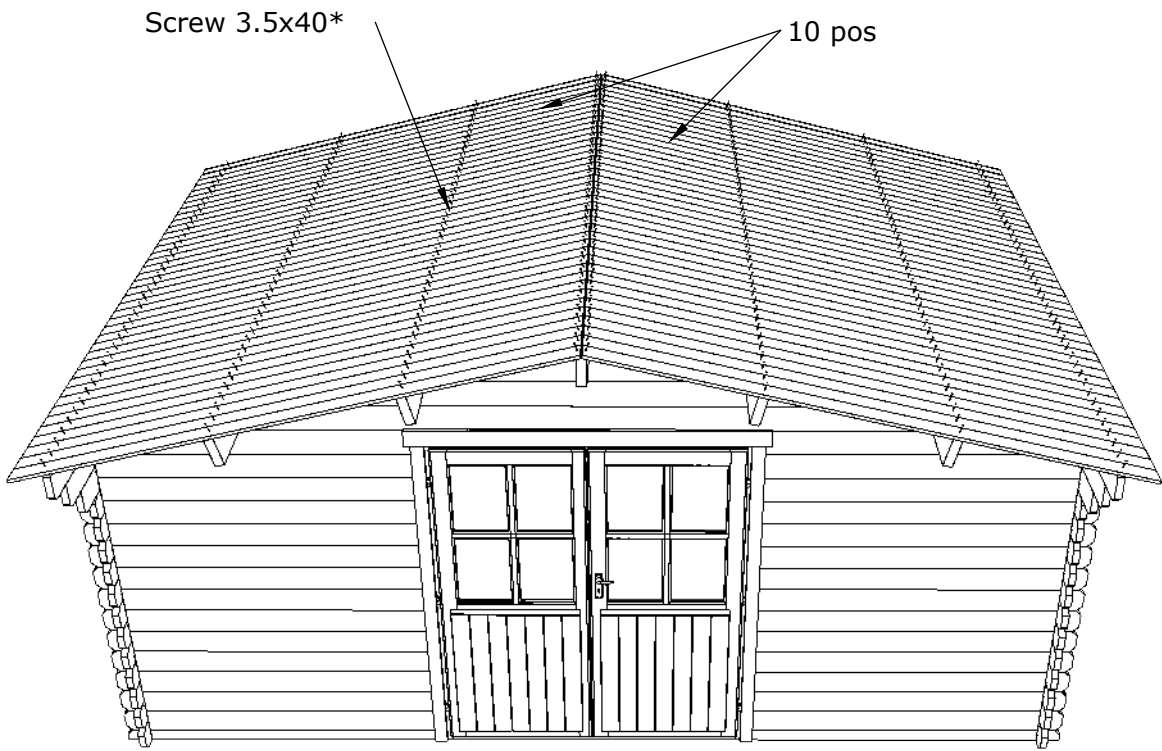




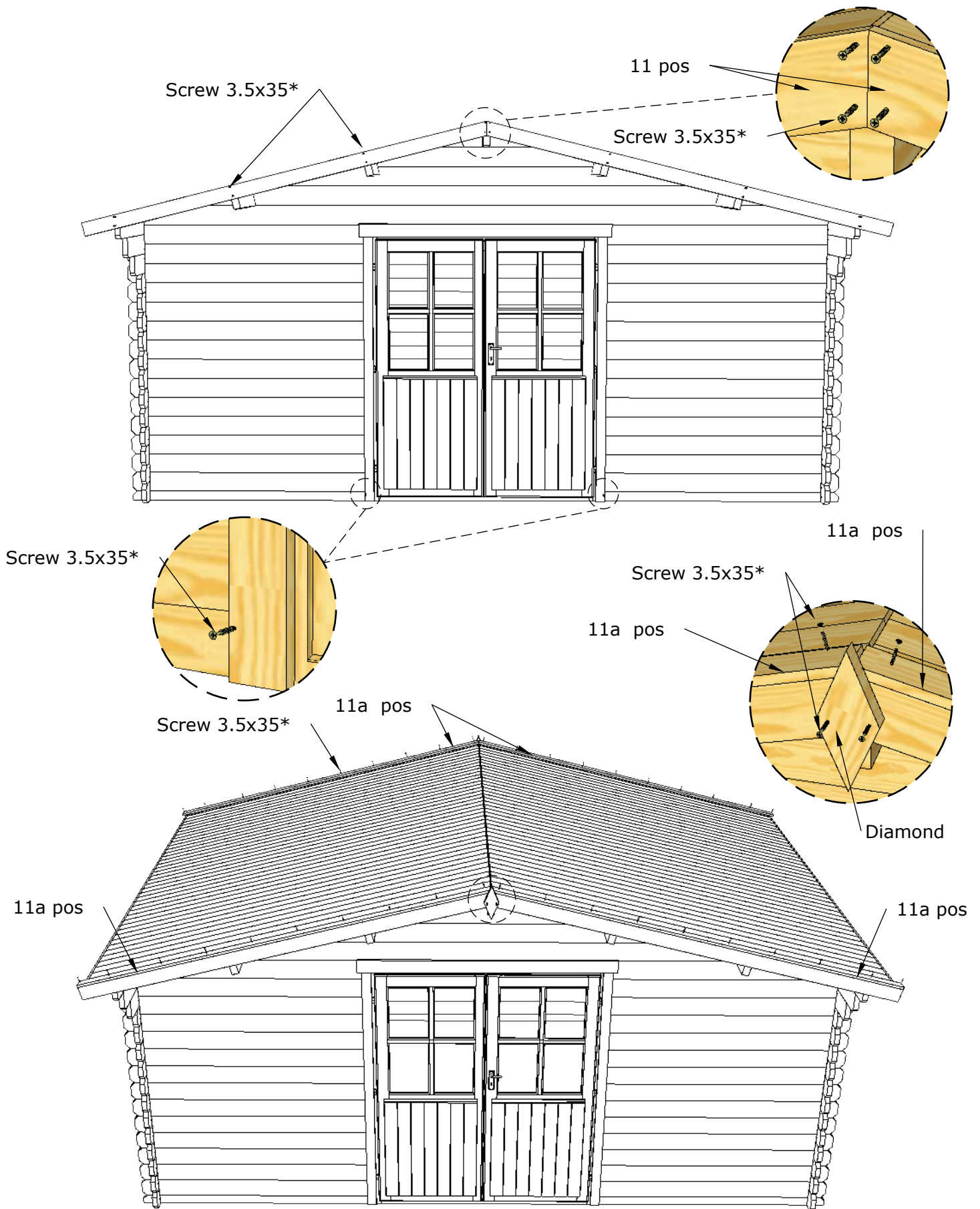
(*) Screws are not included in the package







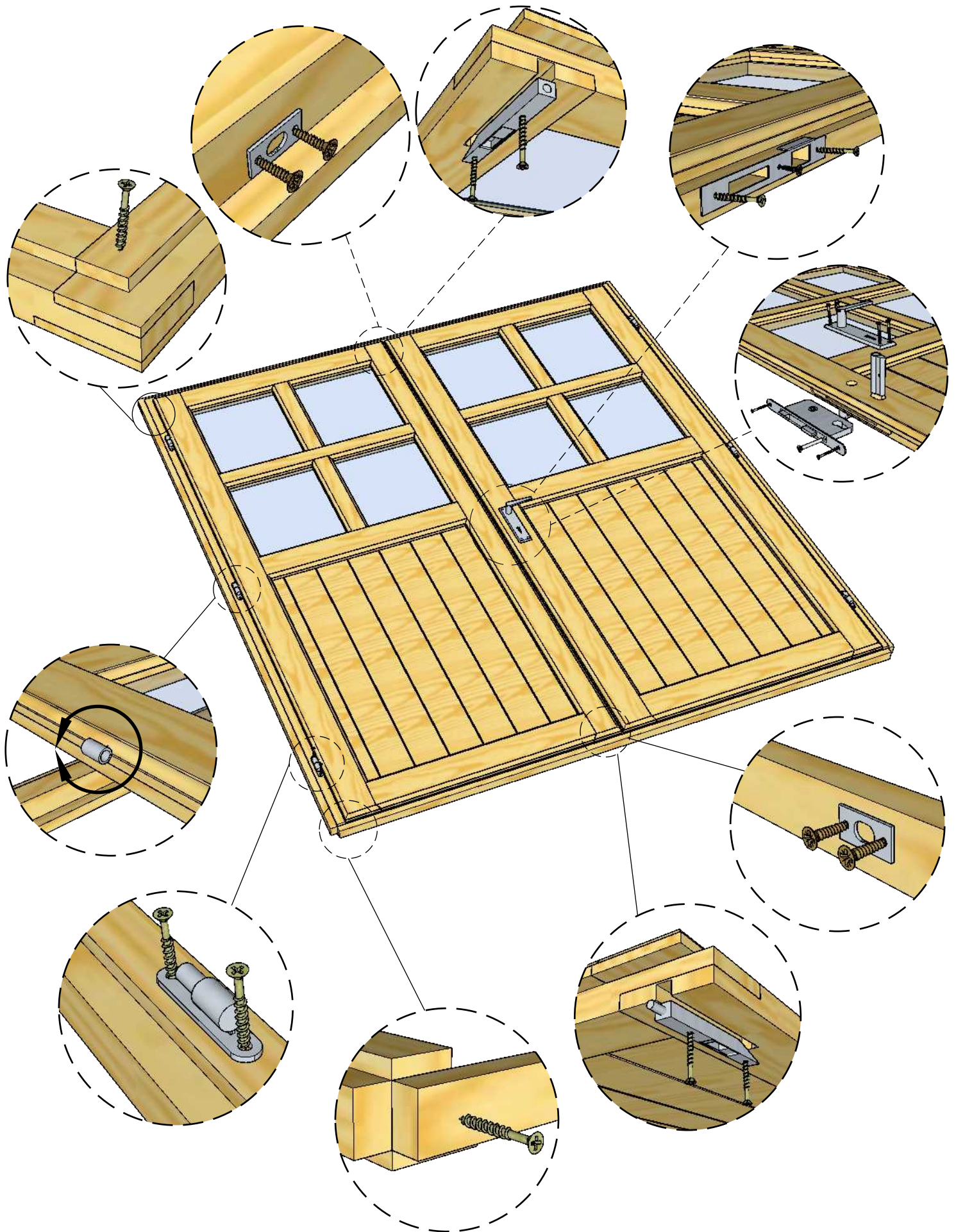
(*) Screws are not included in the package



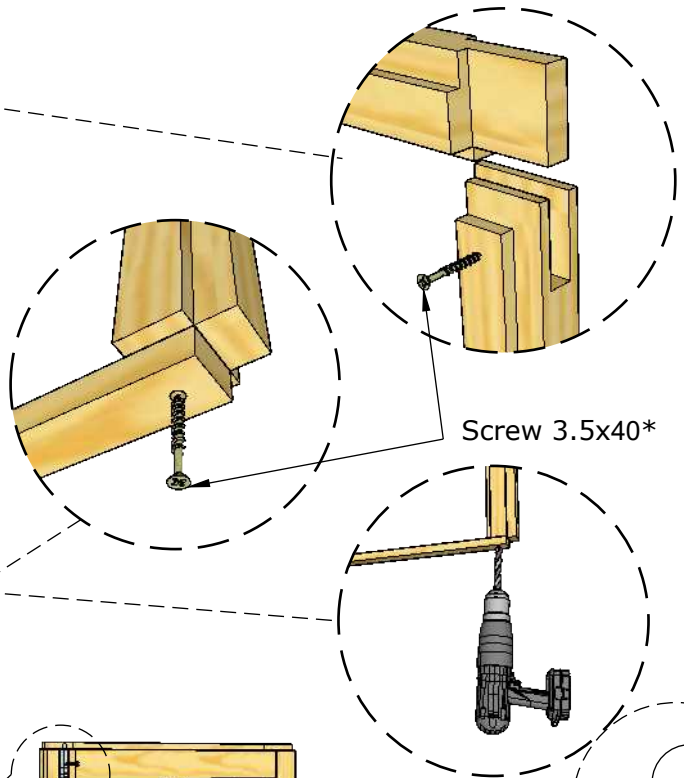
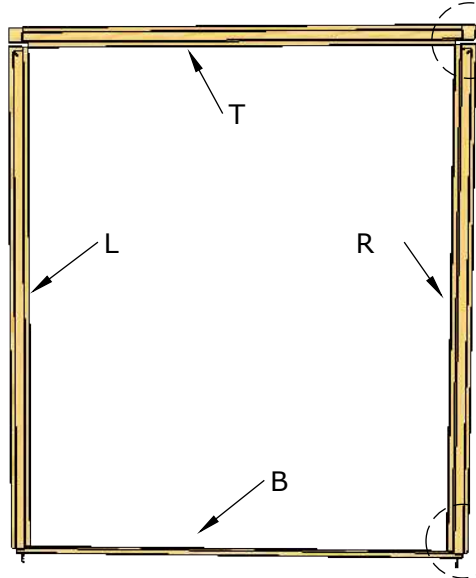
(*) Screws are not included in the package

Die Anleitung ist illustrativ. Dieses Handbuch ist keine Projektspezifikation.

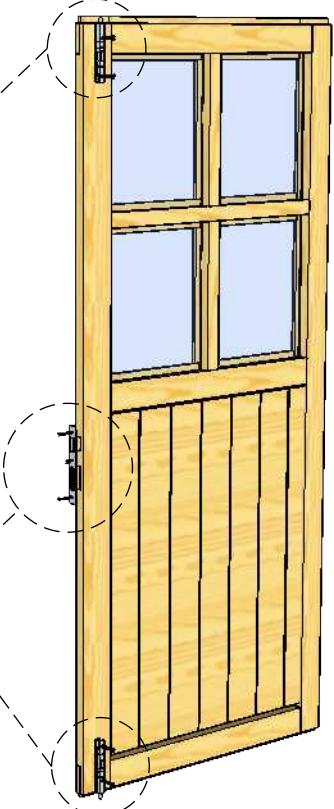
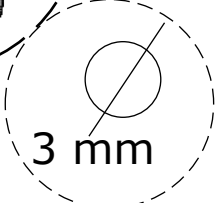
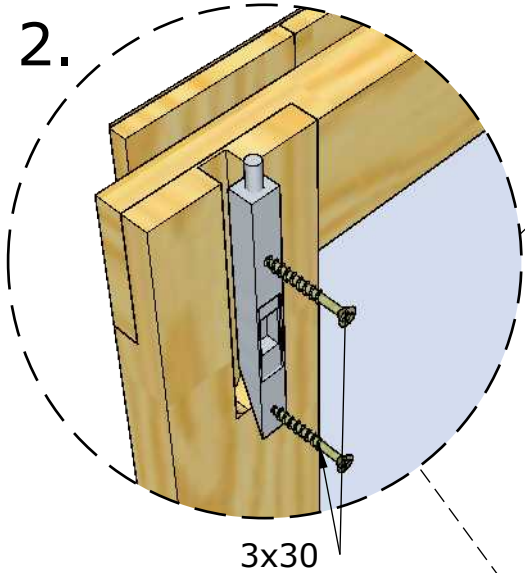
Door assembly



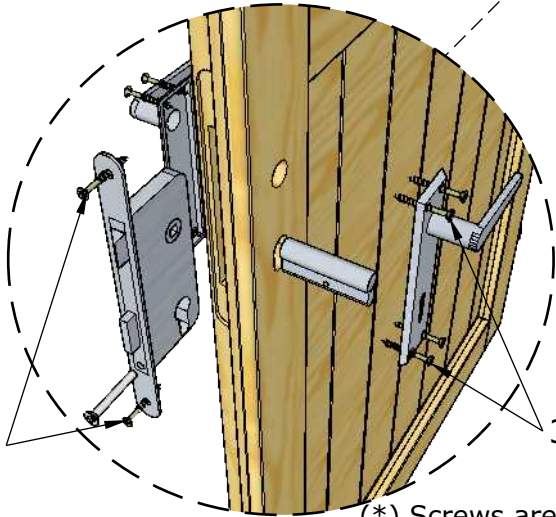
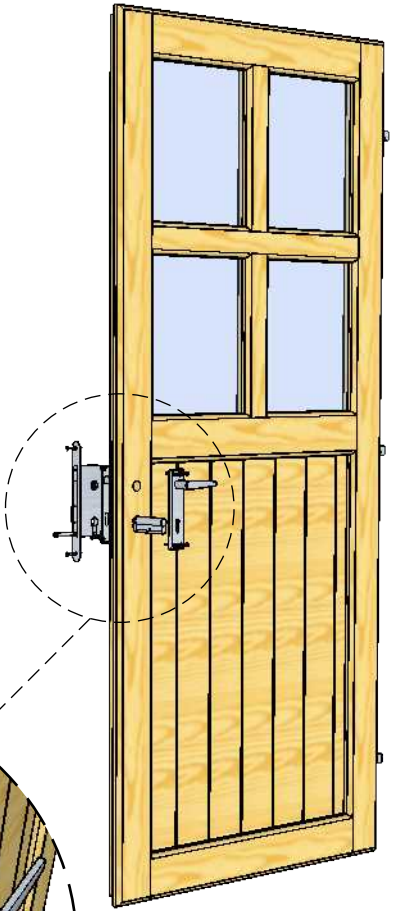
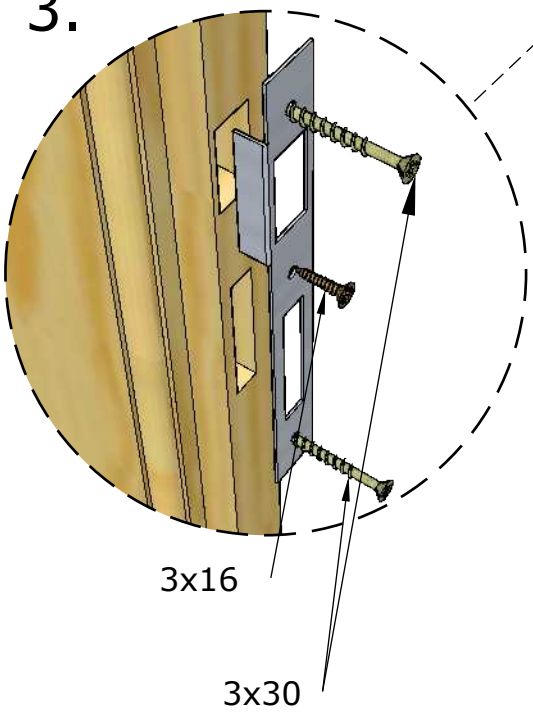
1.



2.

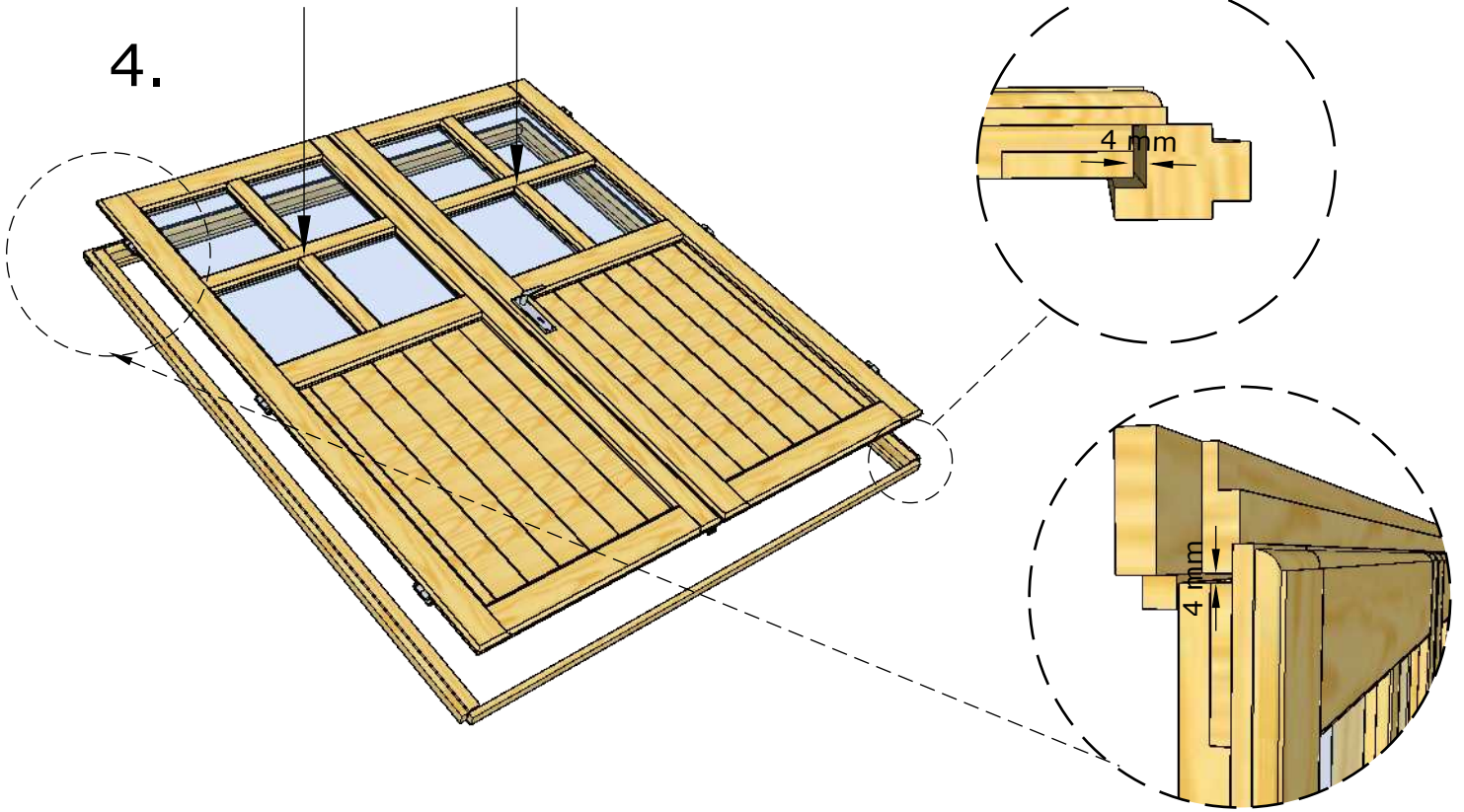


3.

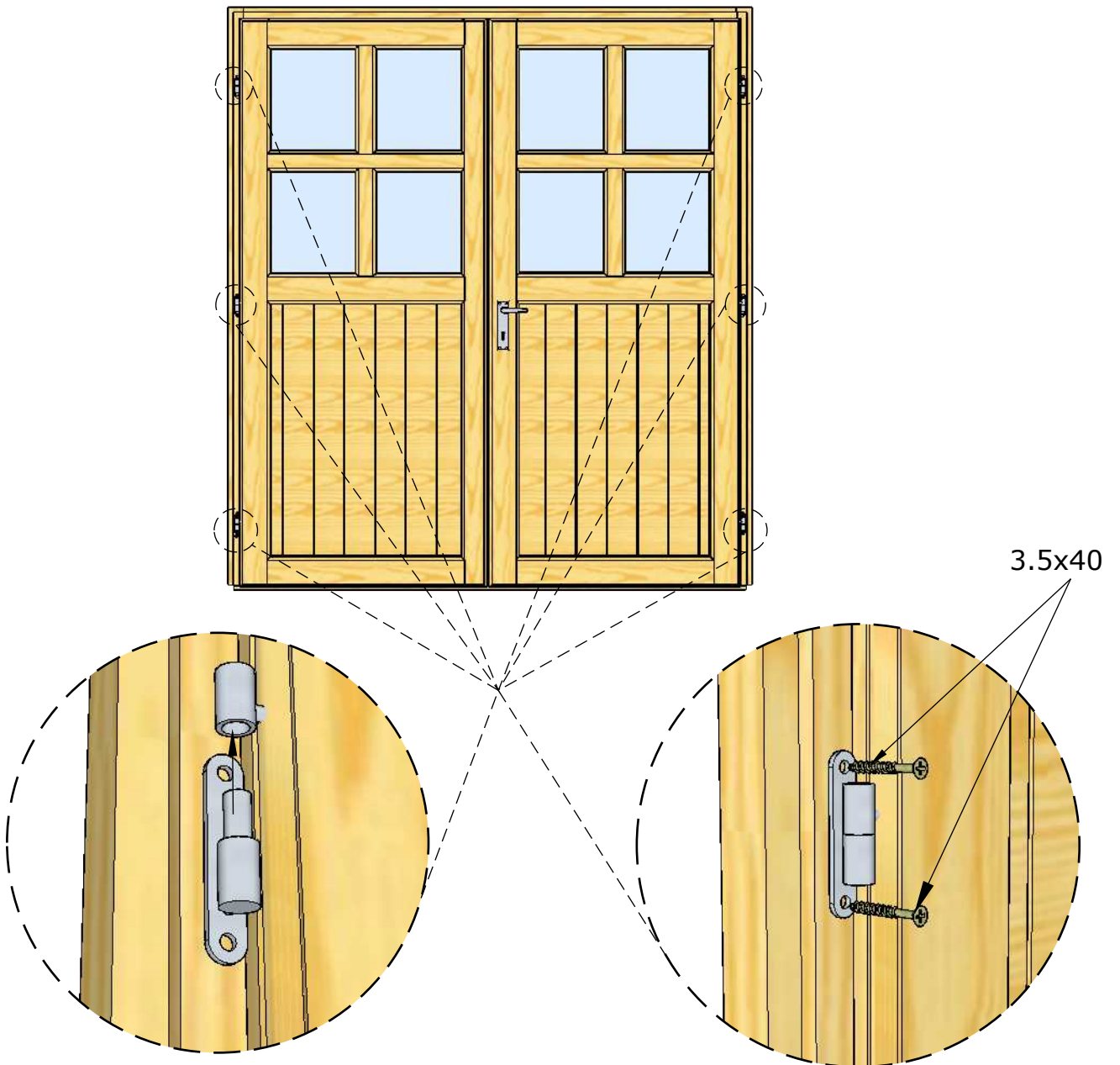


(*) Screws are not included in the package

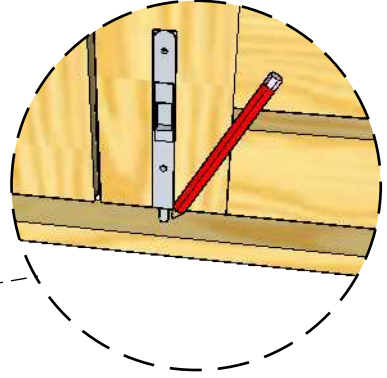
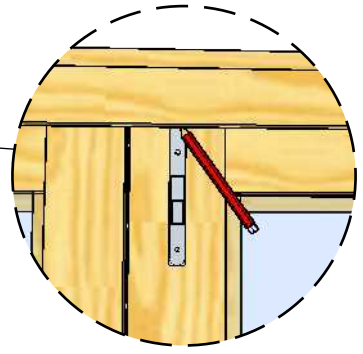
4.



5.

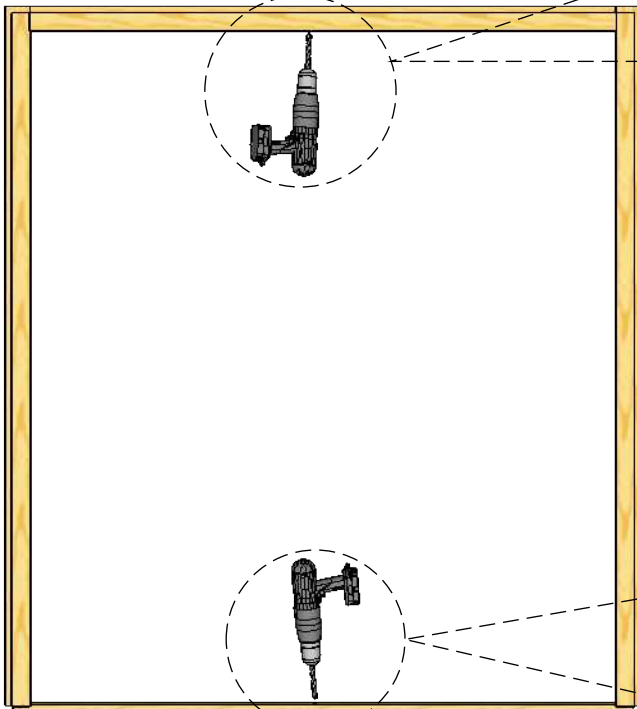
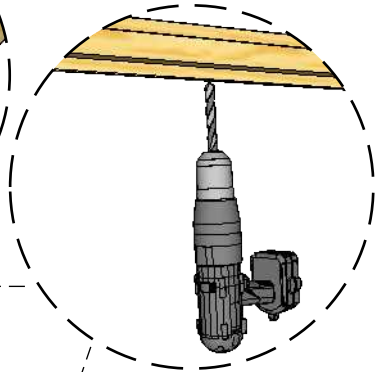
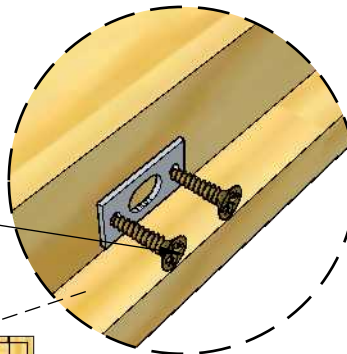


6.

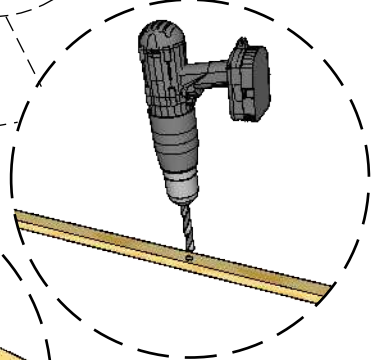
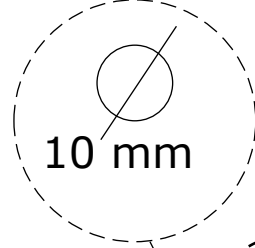


7.

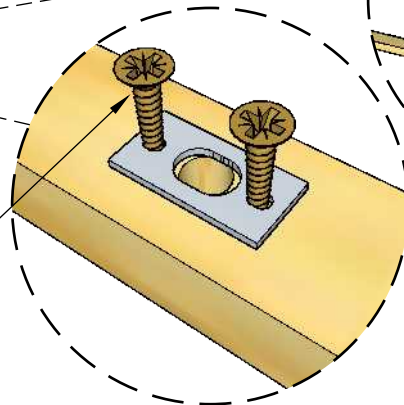
2.5x10

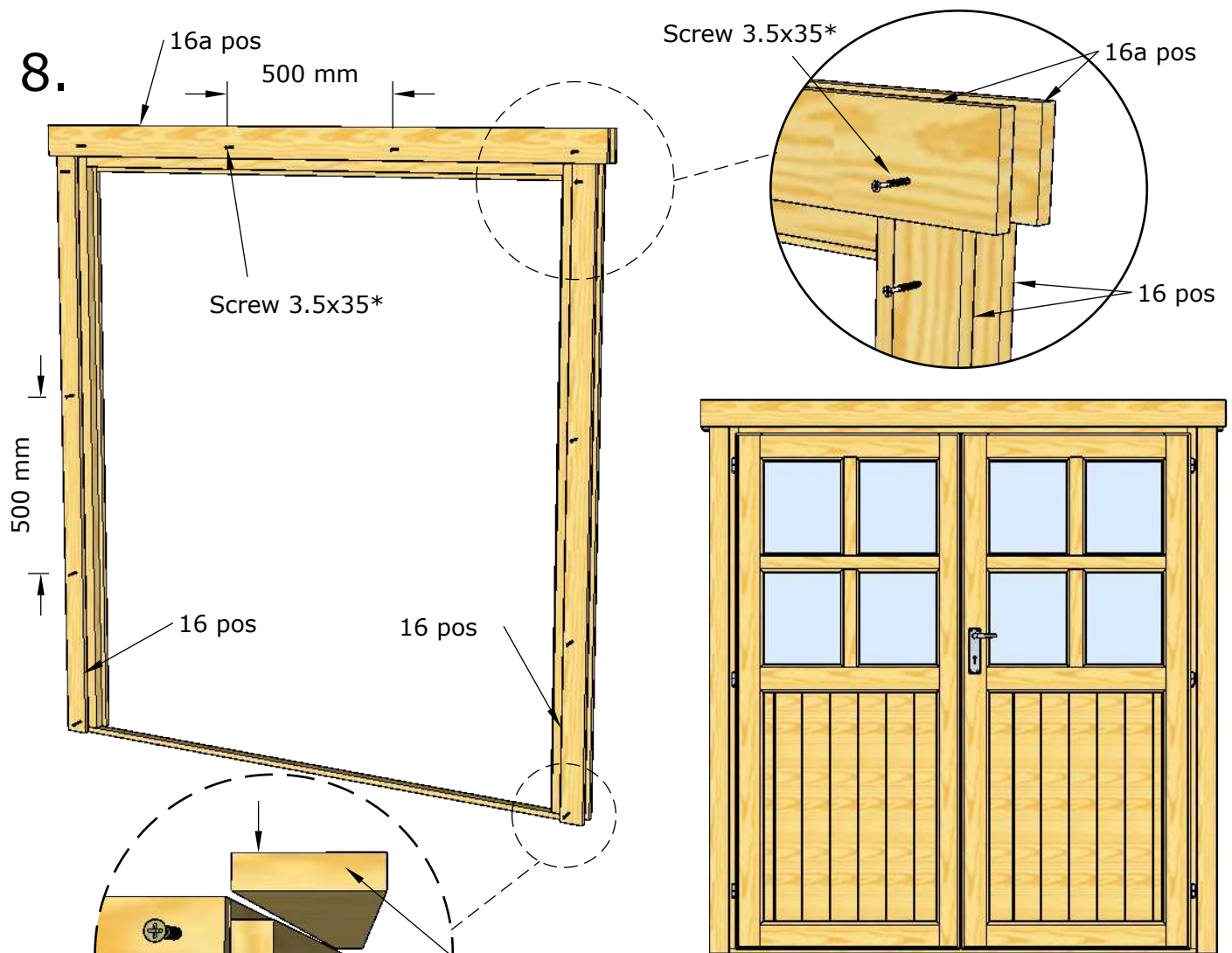


10 mm

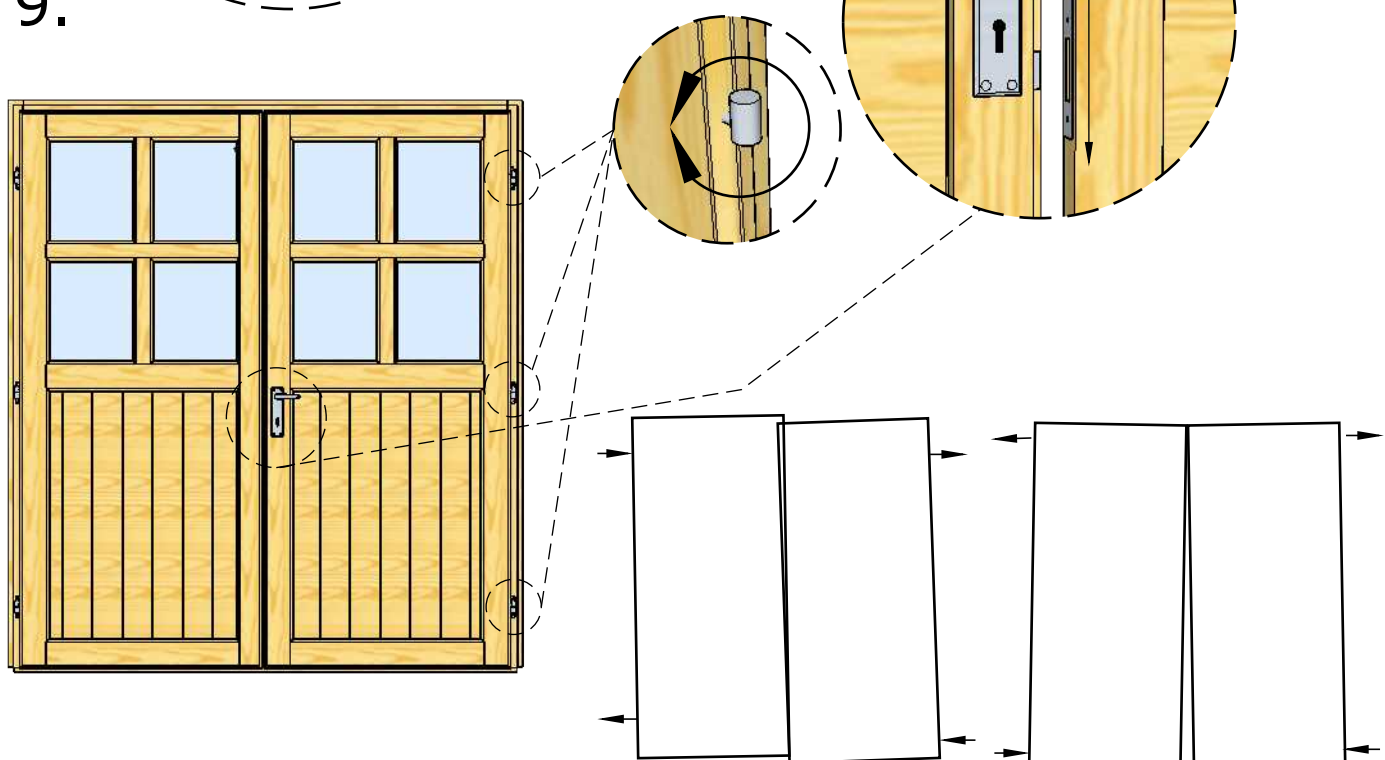


2.5x10

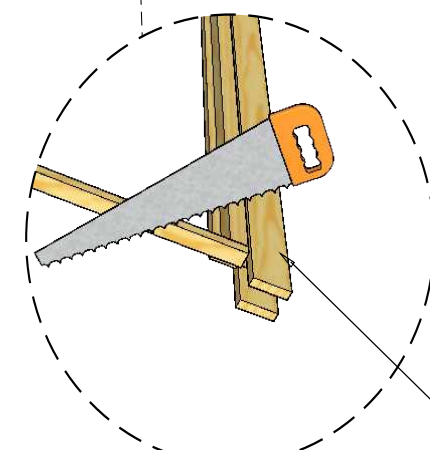
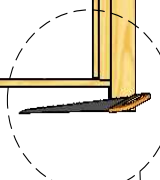
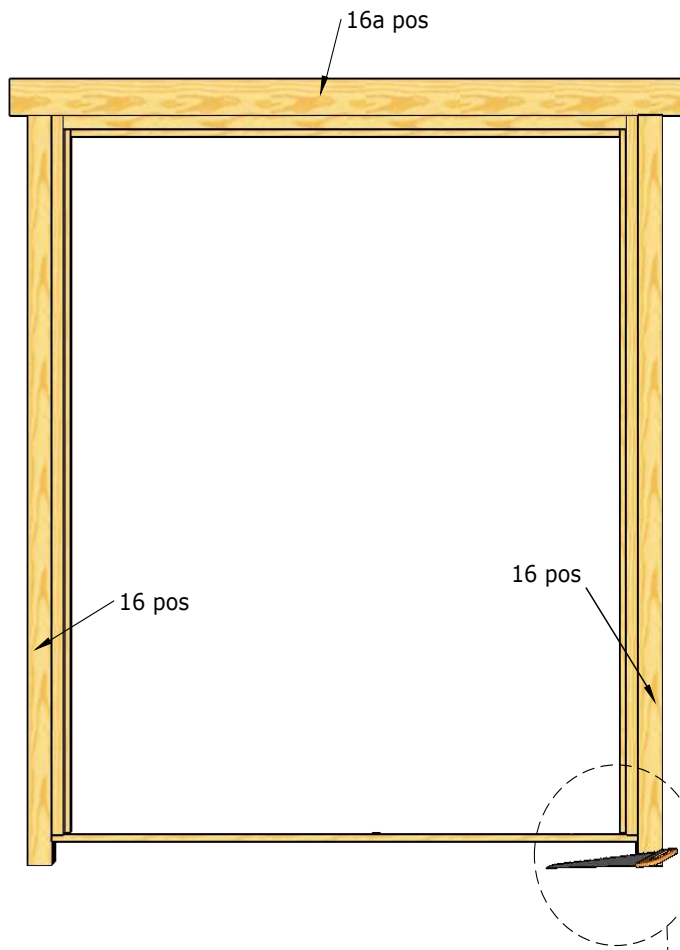




9.



(*) Screws are not included in the package



Cut pos 16 if too long

Window

Normal ca 25 mm
min-max ca 5-90 mm

Door

Normal - ca 40 mm;
min - ca 5 mm;
max - ca 90 mm

