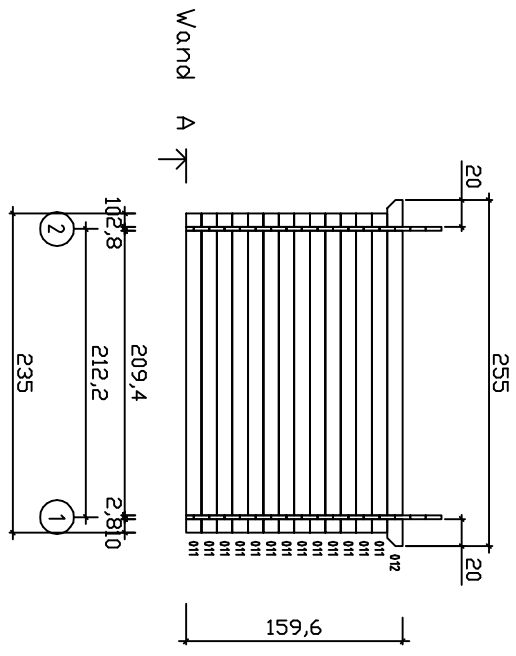
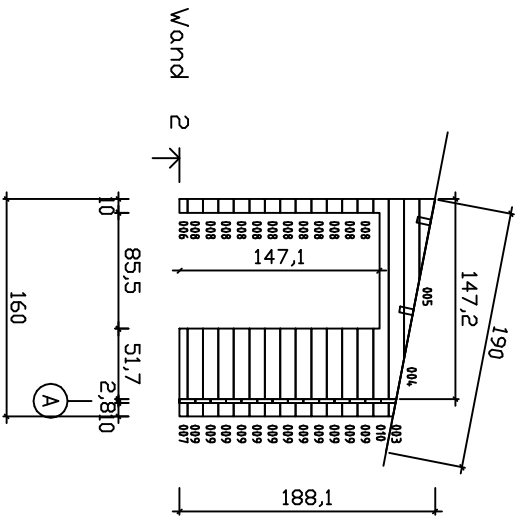
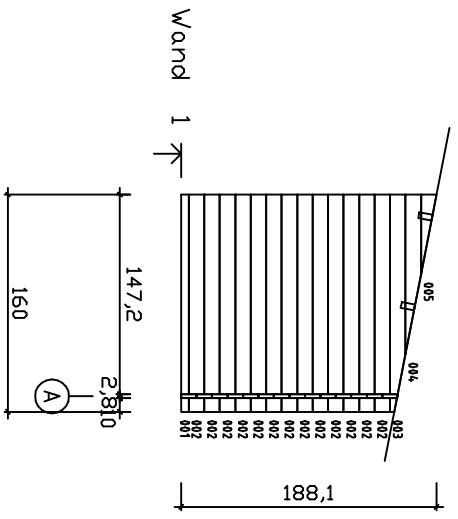
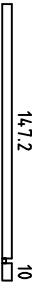
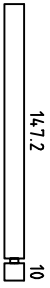
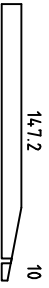

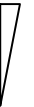

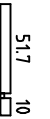

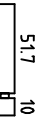
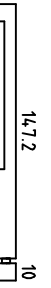
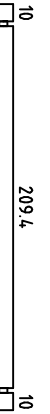
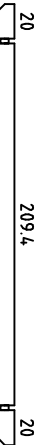

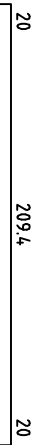


Kood	Haus Sideroof	Leht	1
Joonis	Wand A	Mootkava	1:50
Materjal	2.8x11,4	Kuup.	04.11.2014
Joonestus	File Haus Sideroof		



Kood	Haus Sideroof	Leht 2
Joonis	Wand 1	Mootkava 1:50
Materjal	2,8x11,4	Kuup. 04.11.2014
Joonestaj	File Haus Sideroof	

Pos	Drawing	Pcs	Profile (cm)	Length (cm)
001		1	2.8x5.7	160
002		13	2.8x11.4	160
003		2	2.8x11.4	160
004		2	2.8x11.4	117.8
005		2	2.8x11.4	58.9
006		1	2.8x5.7	10
007		1	2.8x5.7	64.5
008		12	2.8x11.4	10
009		12	2.8x11.4	64.5
010		1	2.8x11.4	160
011		13	2.8x11.4	235
012		1	2.8x11.4	255
PT1		4	4.5x7	214
PR1		2	4.3x12	255
Kood	DOOR 83.5x144.6	1		
Materjal		File Haus Sideroof 28mm	1/1	

MATERJALBESCHREIBUNG	Haus Sideroof 28			
-----------------------------	-----------------------------	--	--	--

DETAIL	B mm	H mm	L mm	ST.
WALLBEAMS	28	114		61
FOUNDATION	45	70	2140	4
ROOFBOARDS	16	112	1900	23
FLOORBOARDS	16	112	1490	19
FLOOR BEADING	20	40	2094	4
EAVEBOARDS	18	95	2550	1
ROOF EDGE	26	32	2550	1
U-PROFILE	43	70	1870	2
WINDFEDERBRETTE	18	120	1940	2
	18	60	1940	2
PFETTEN	43	120	2550	2
TÜR 835x1446 RIGHT			OG	1