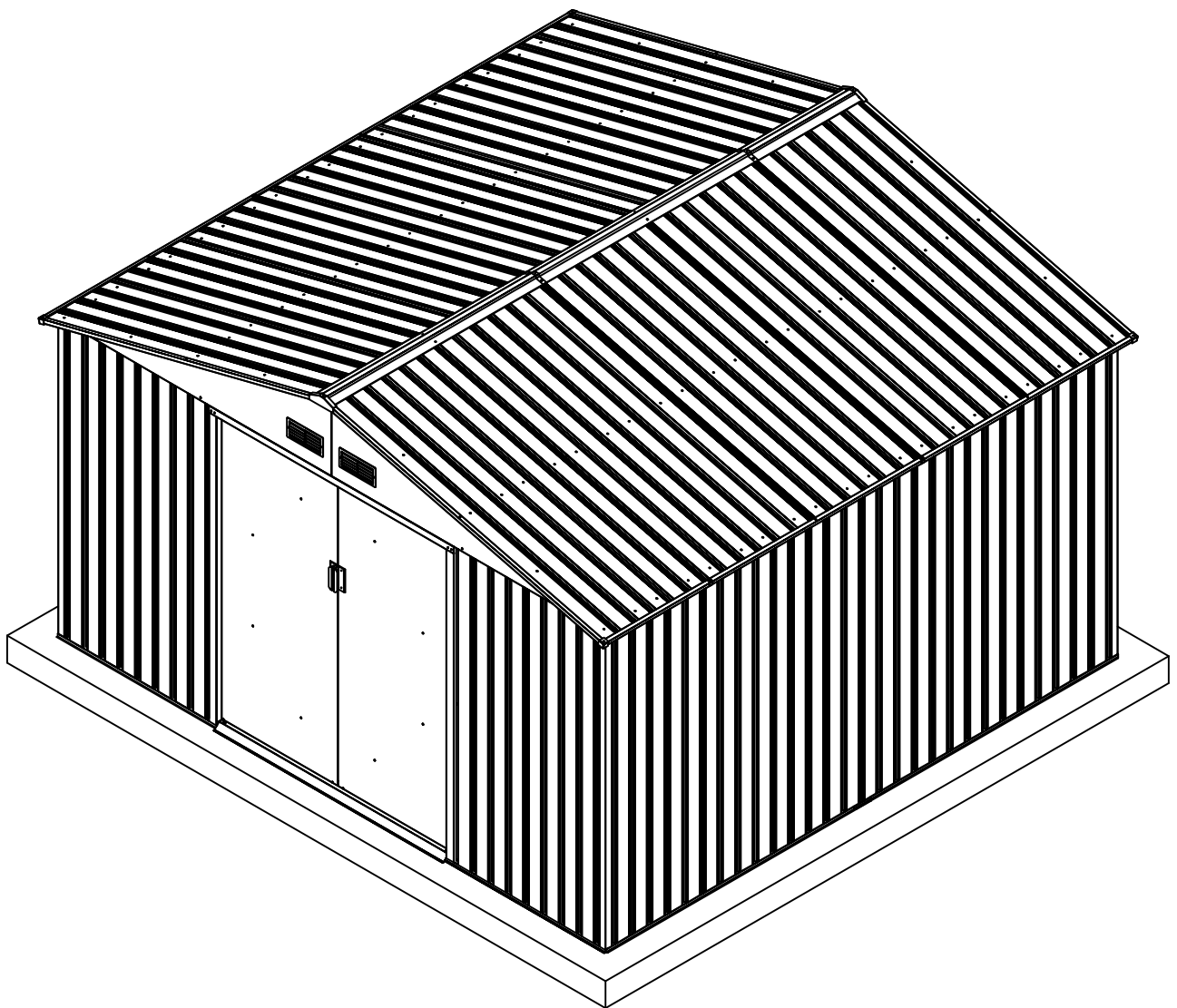


# Metal Shed

---

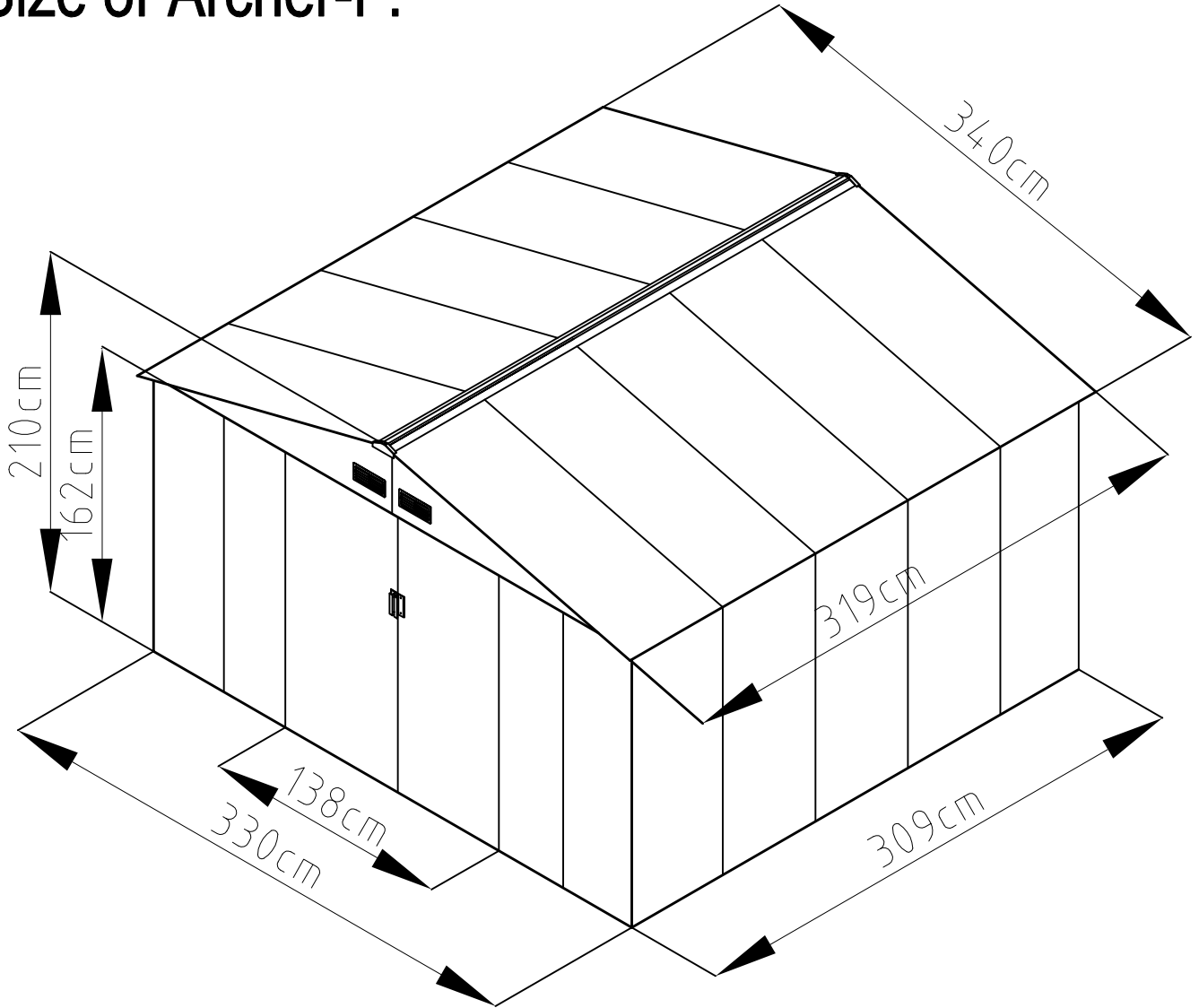
OWNER'S MANUAL /  
Instructions for Assembly Archer-F



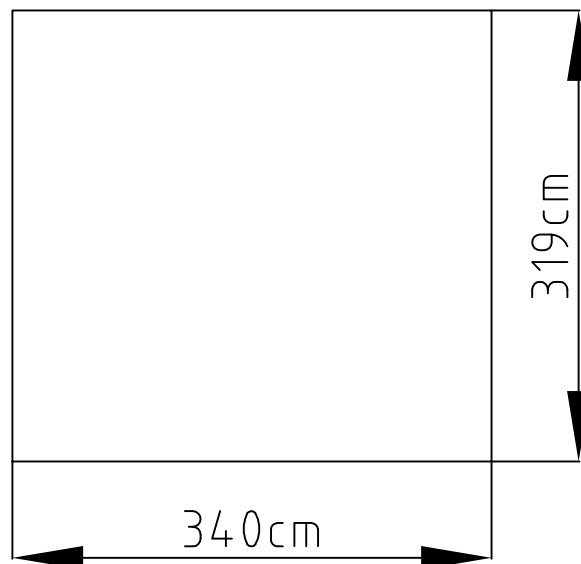
---

Requires two people and takes 3-4 hours for Installation.

## Size of Archer-F:



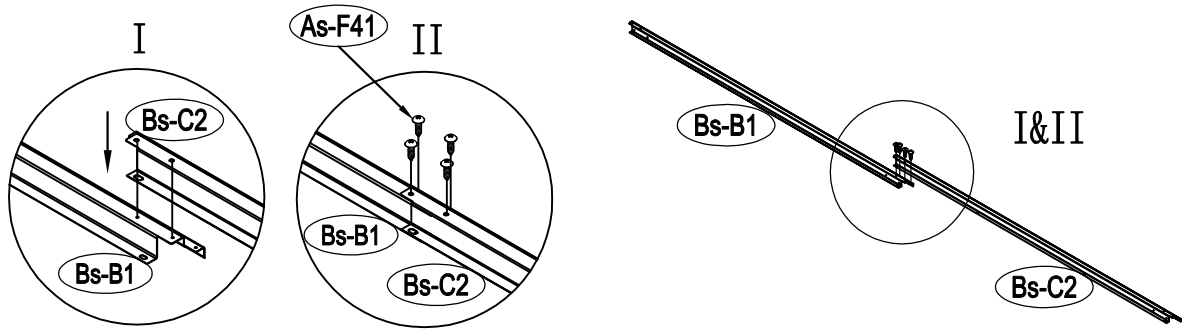
## Area of installation requirement:



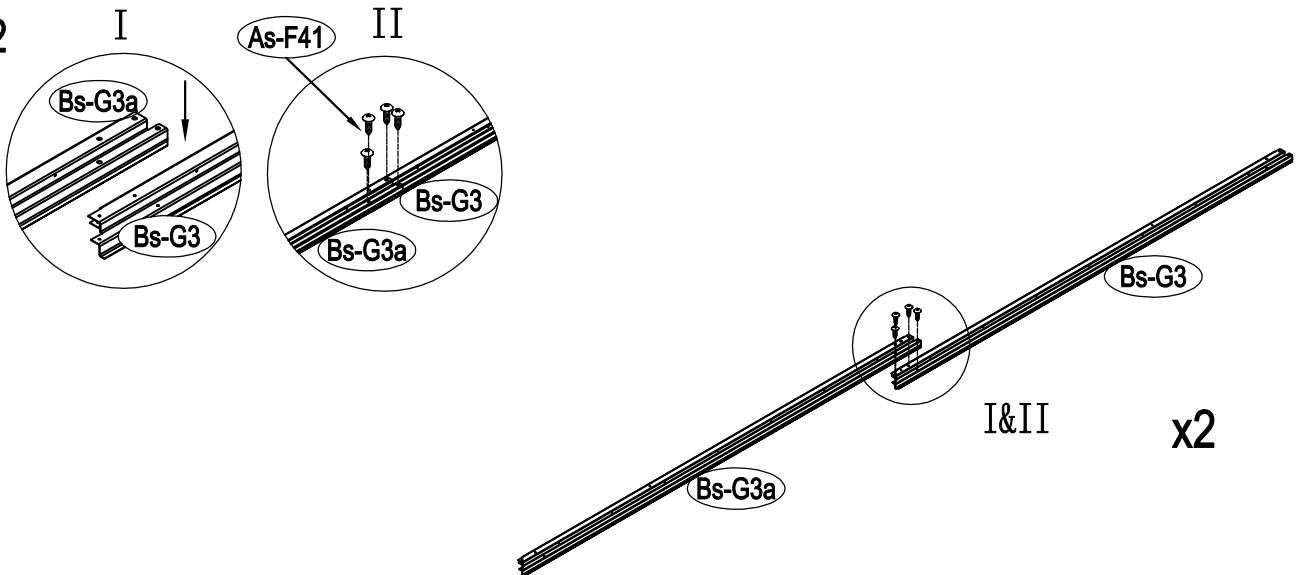




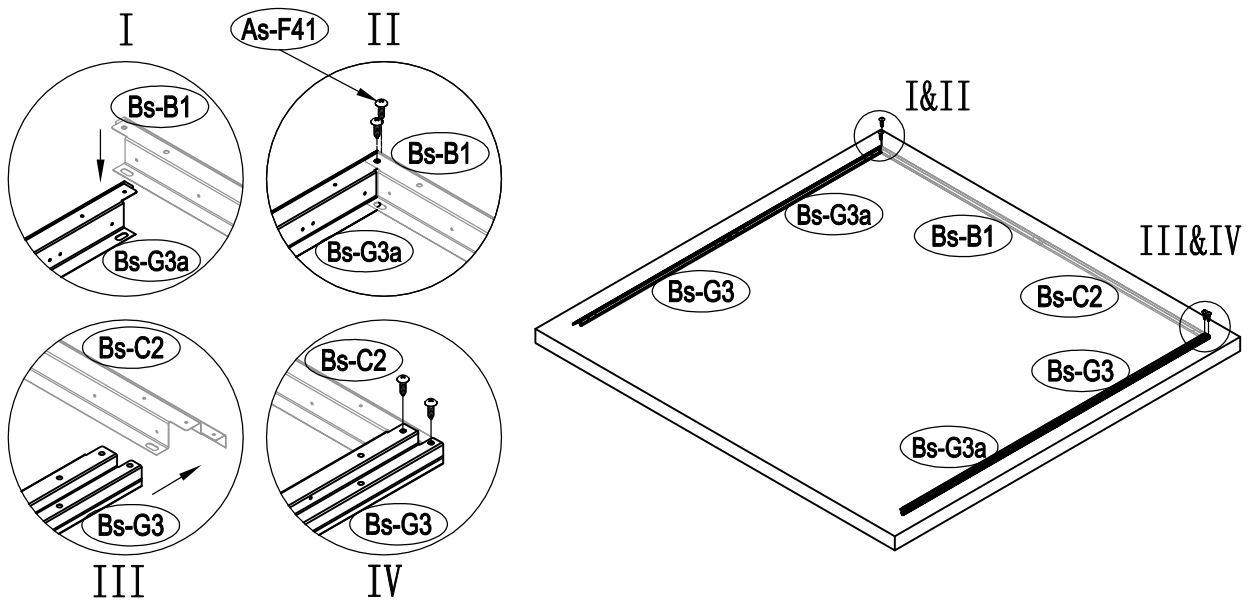
1

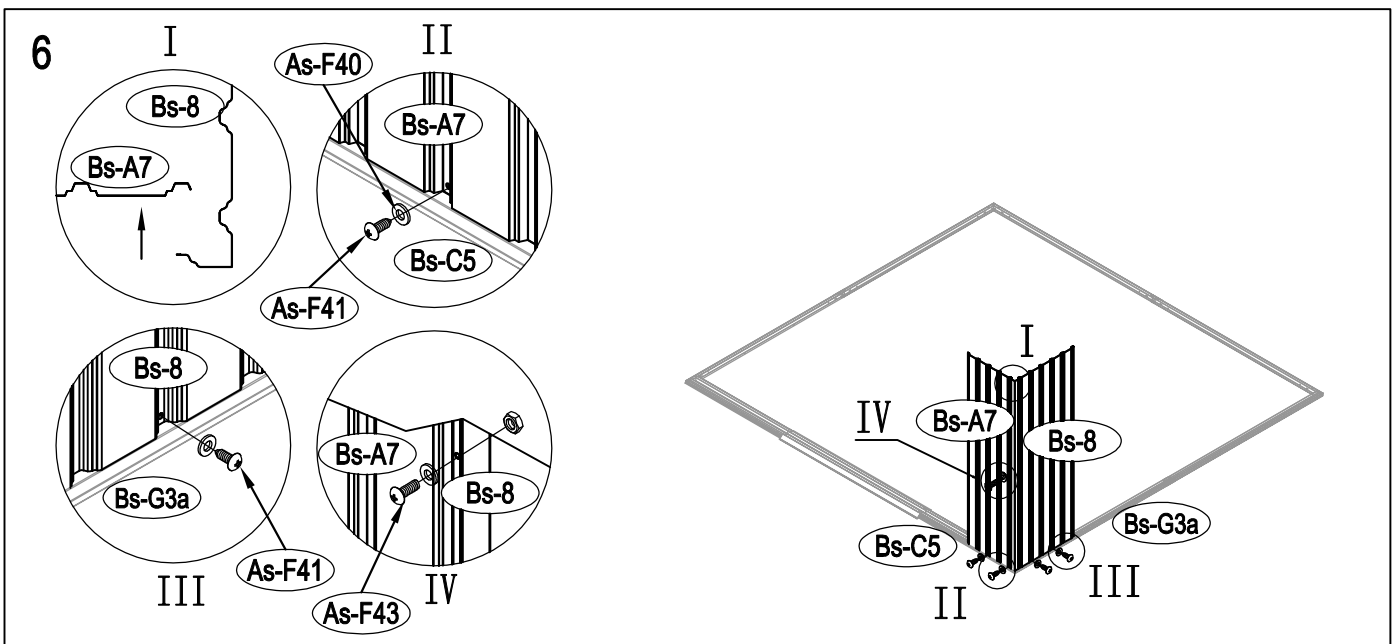
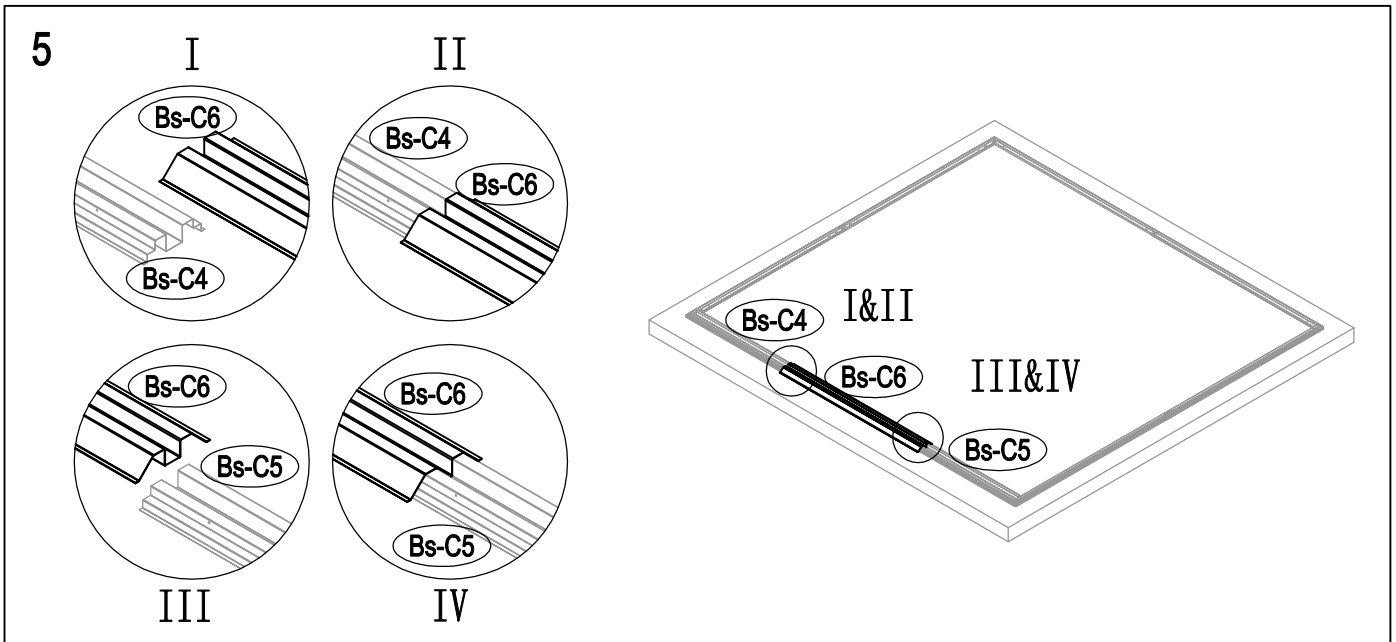
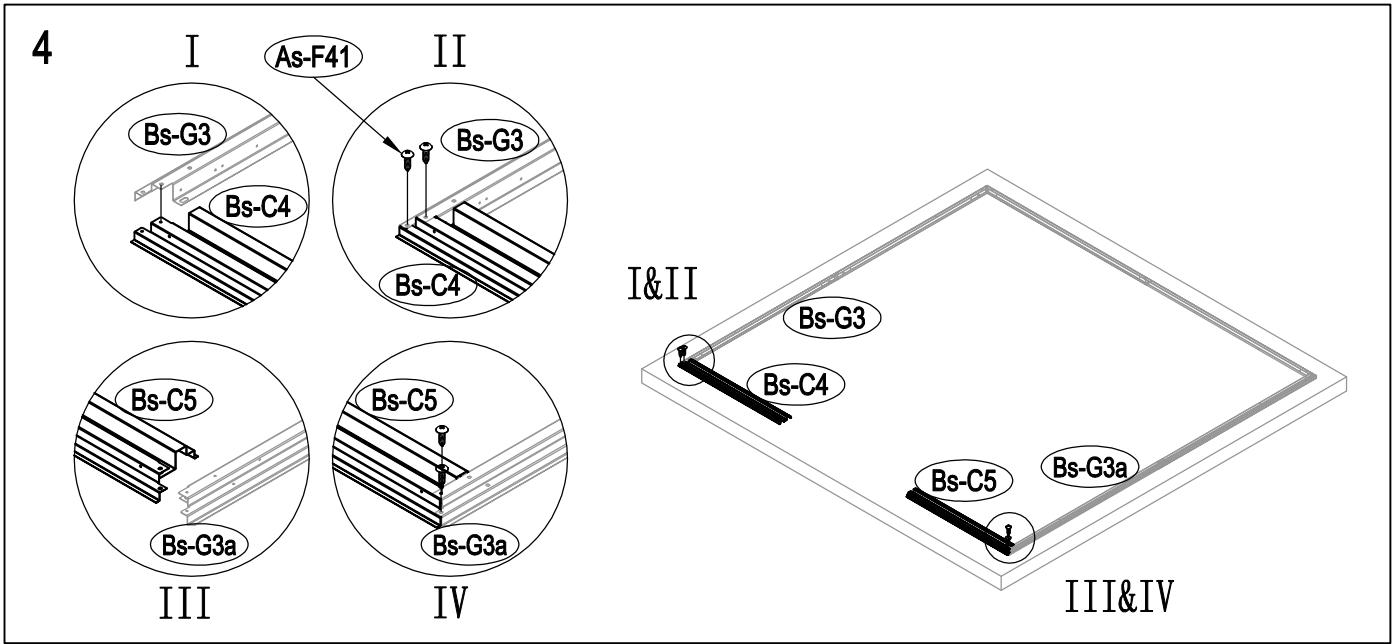


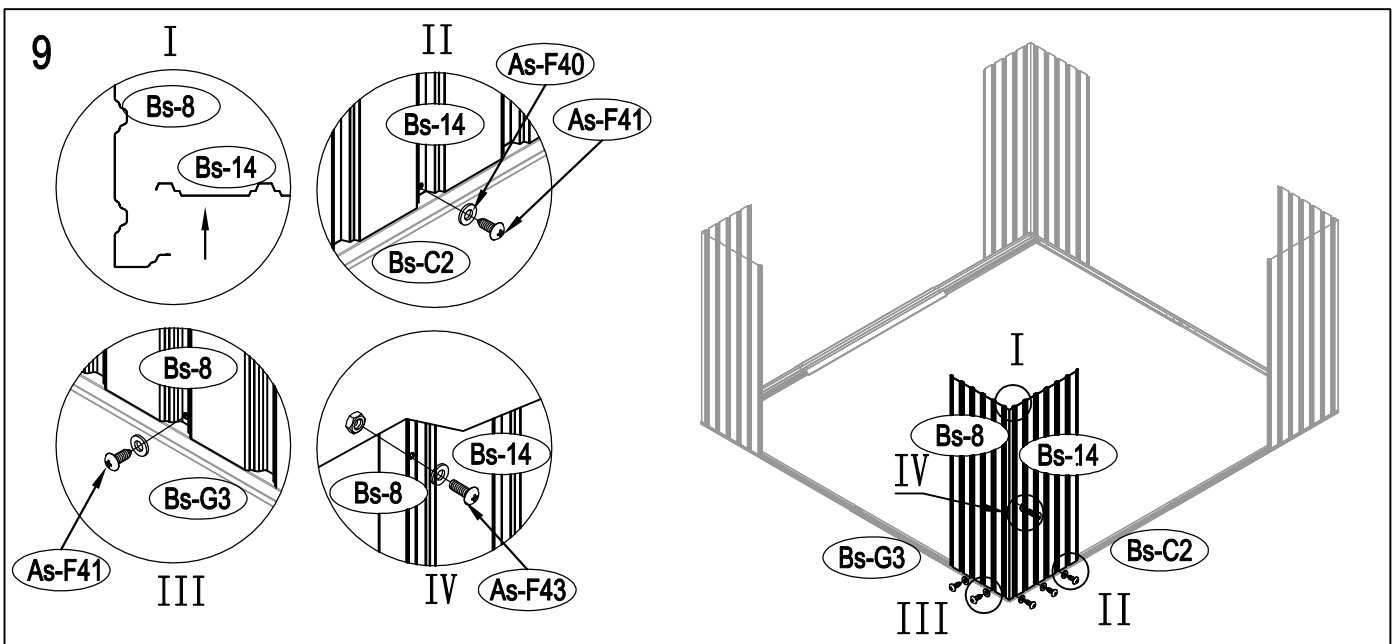
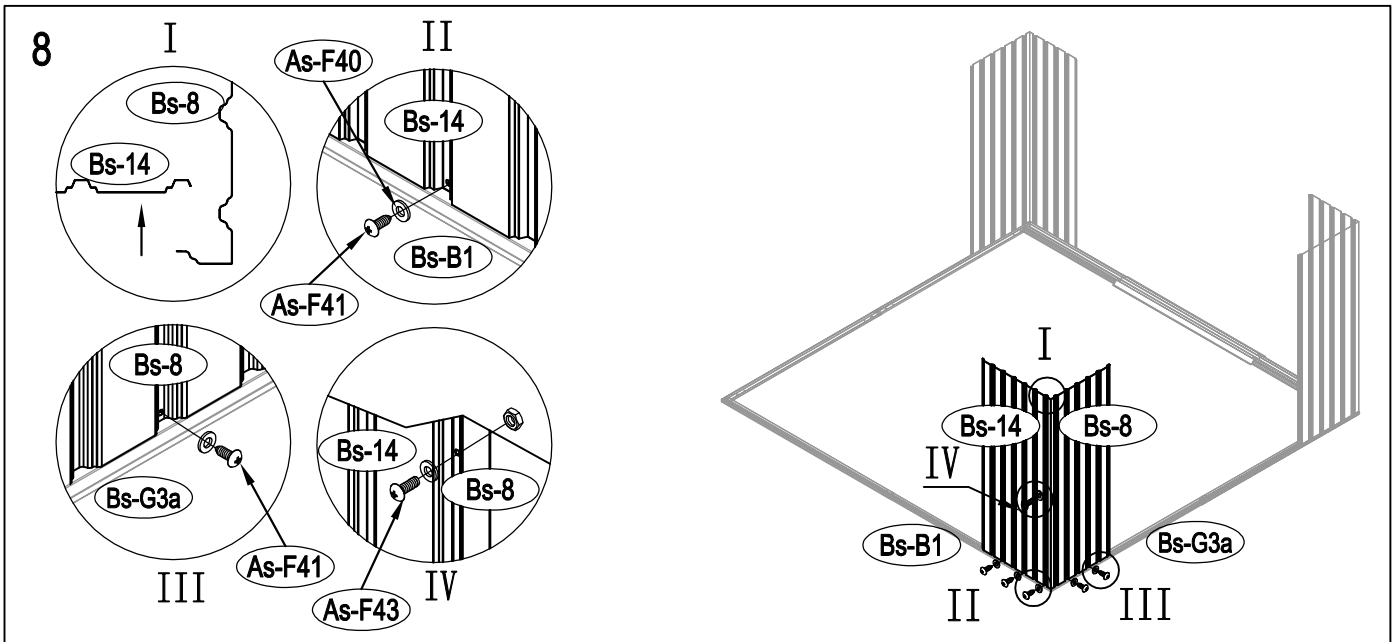
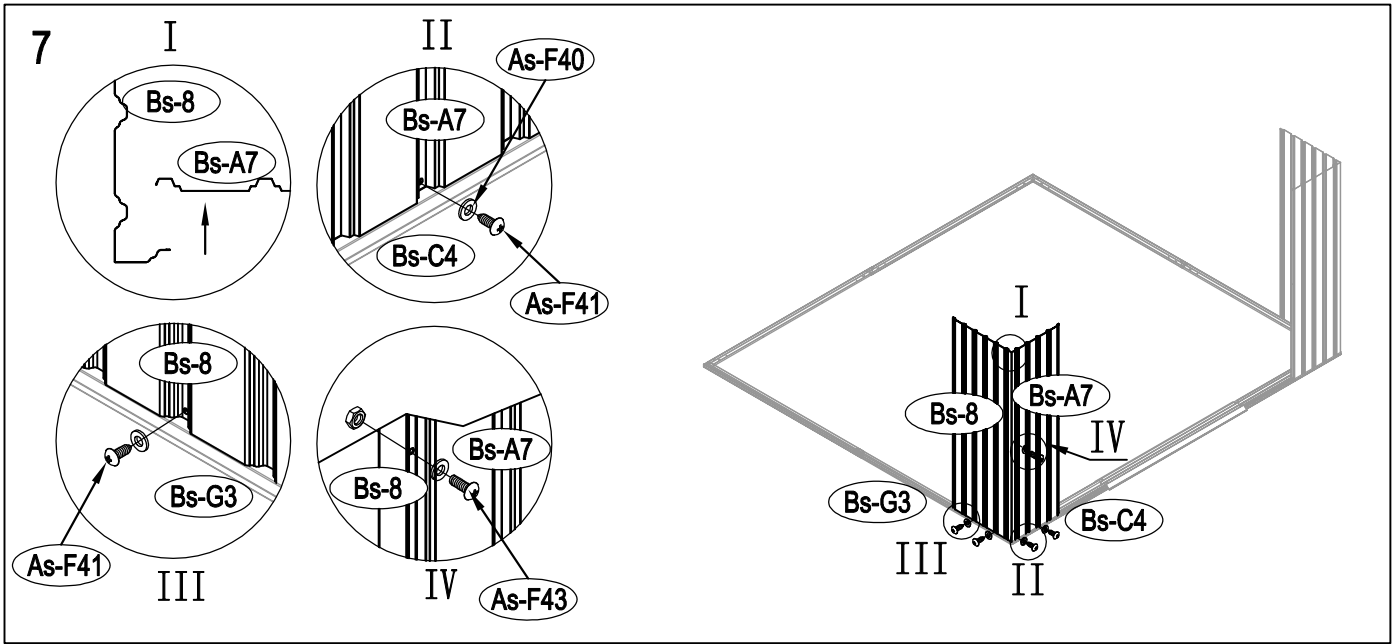
2



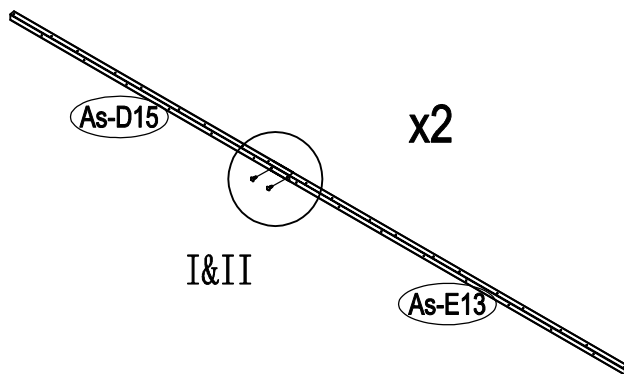
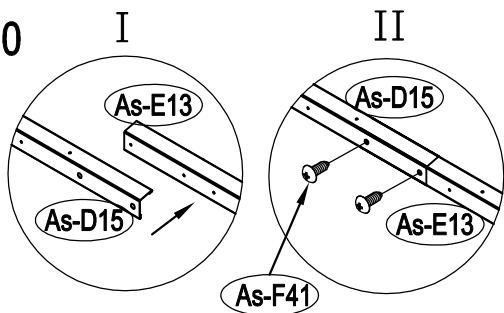
3



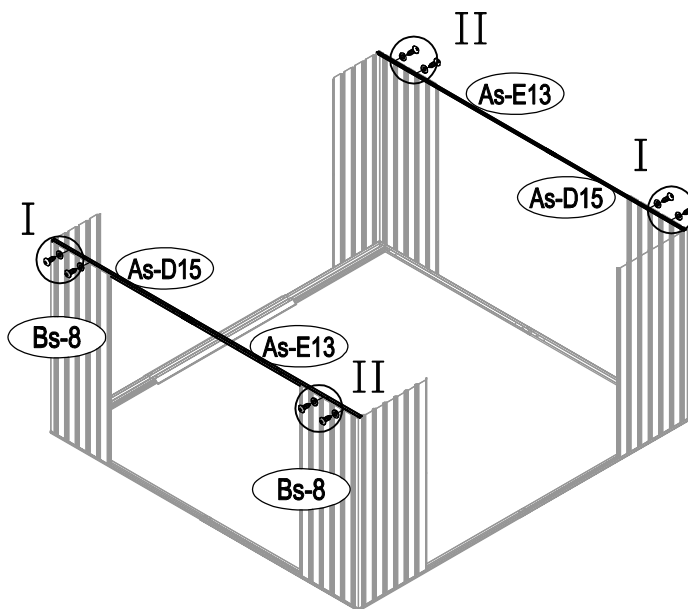
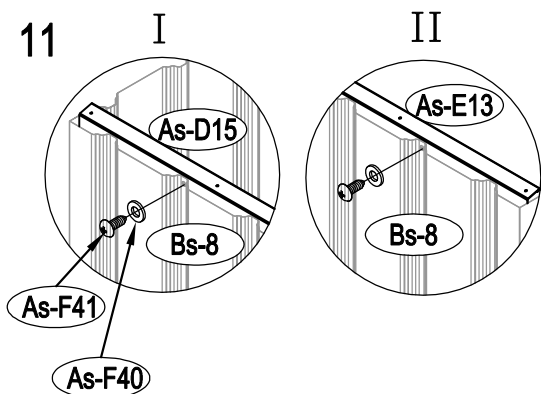




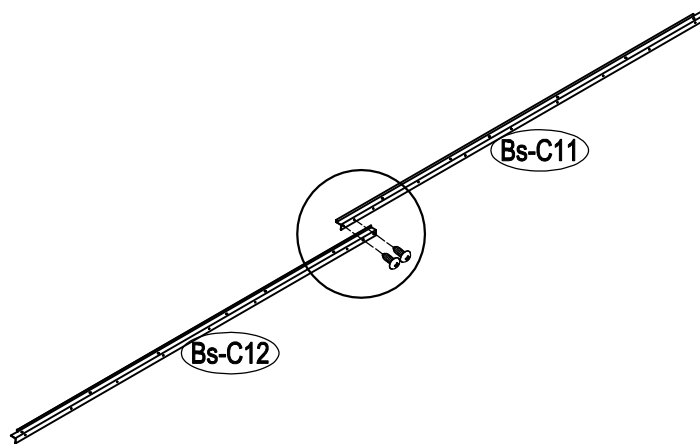
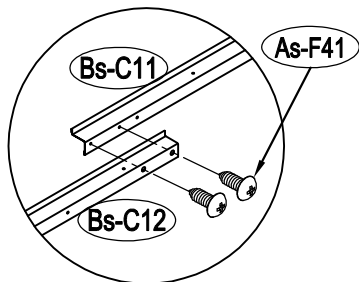
10



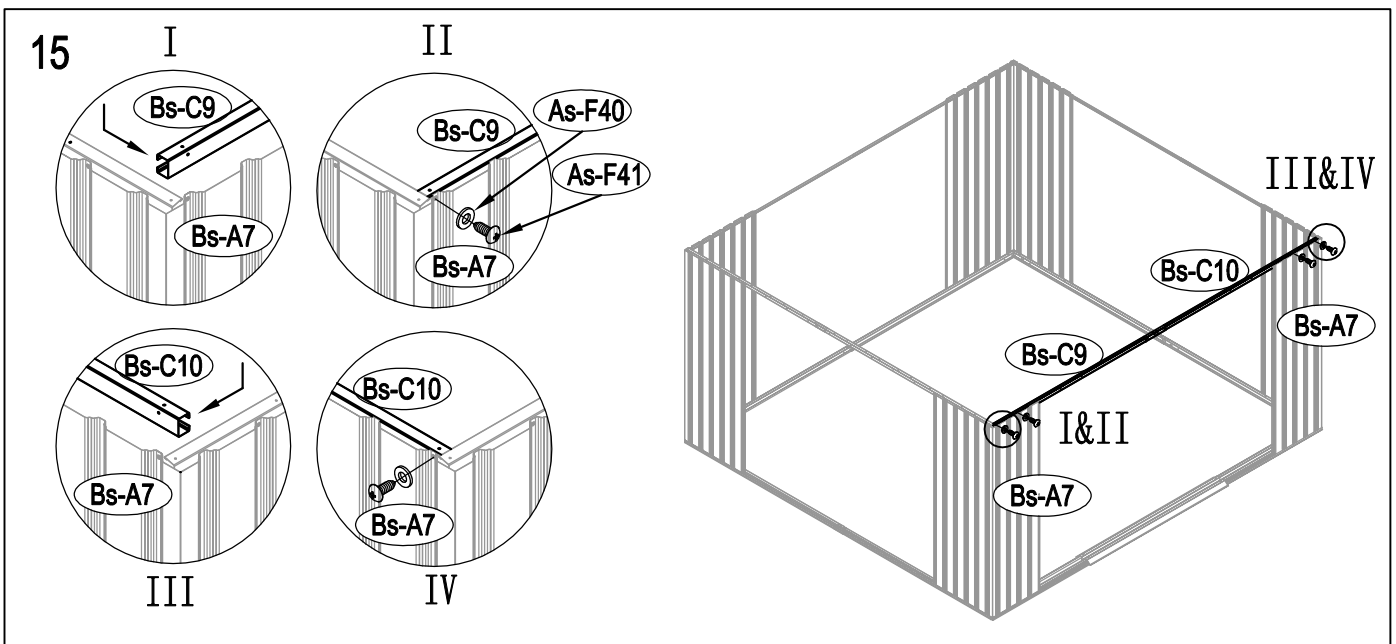
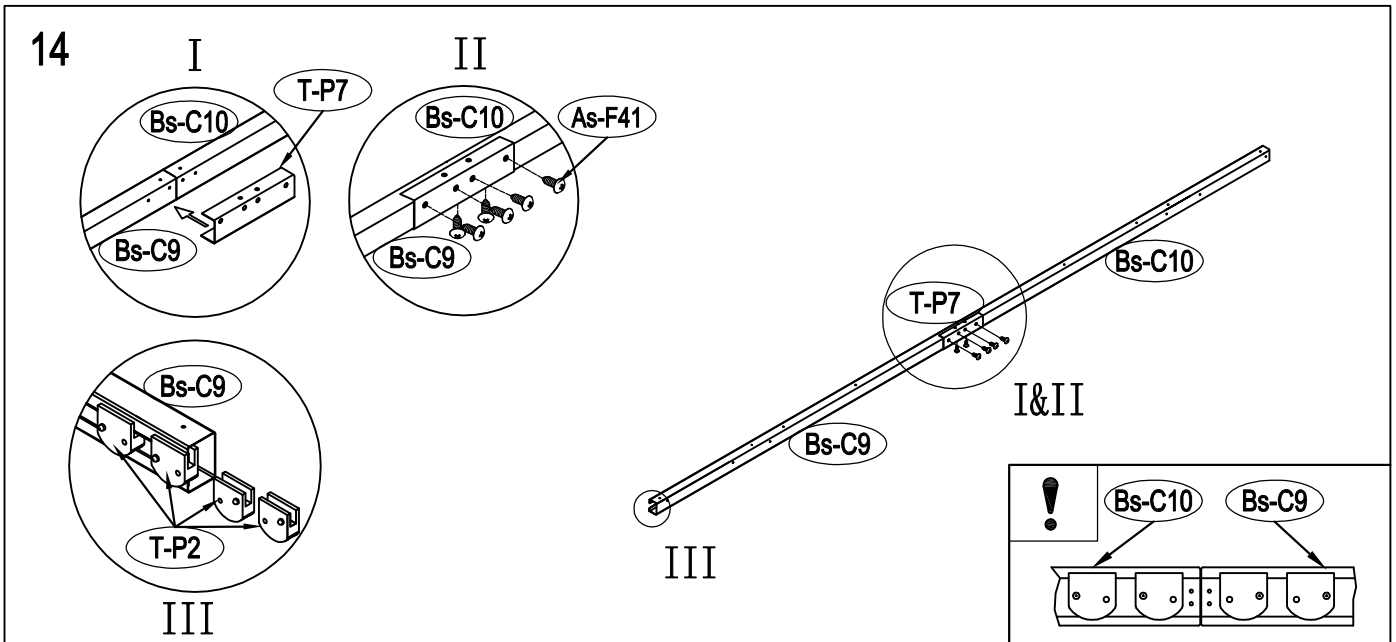
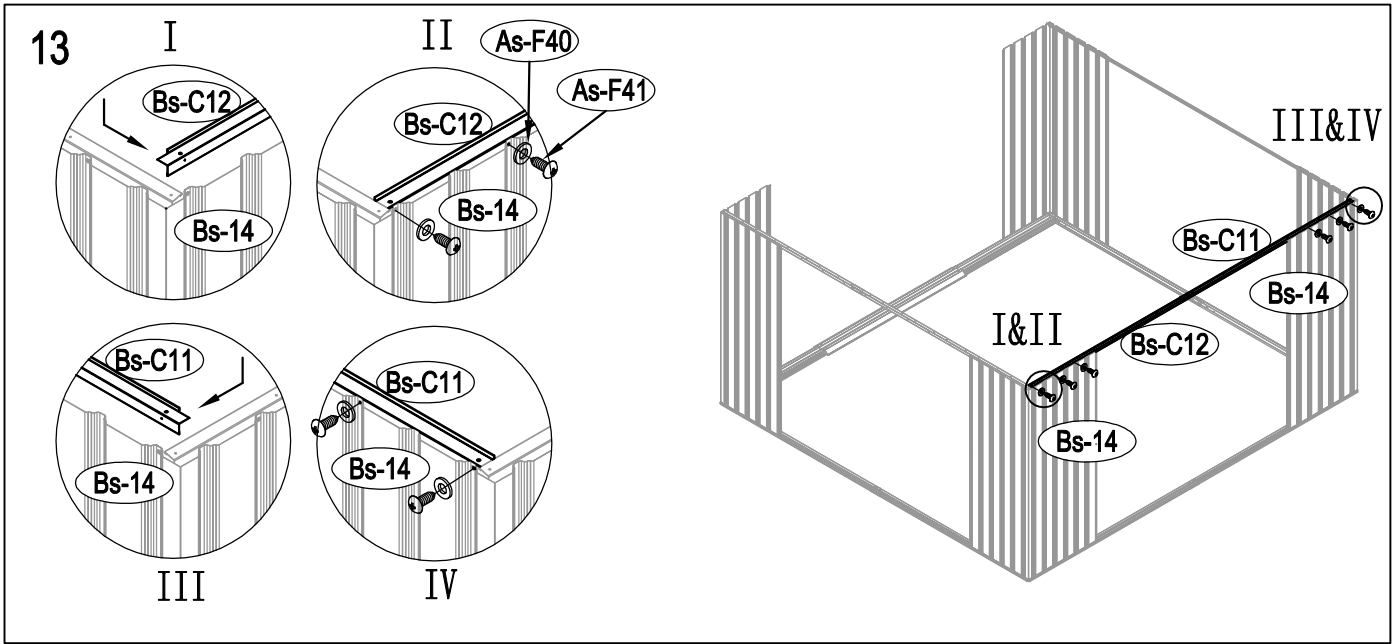
11

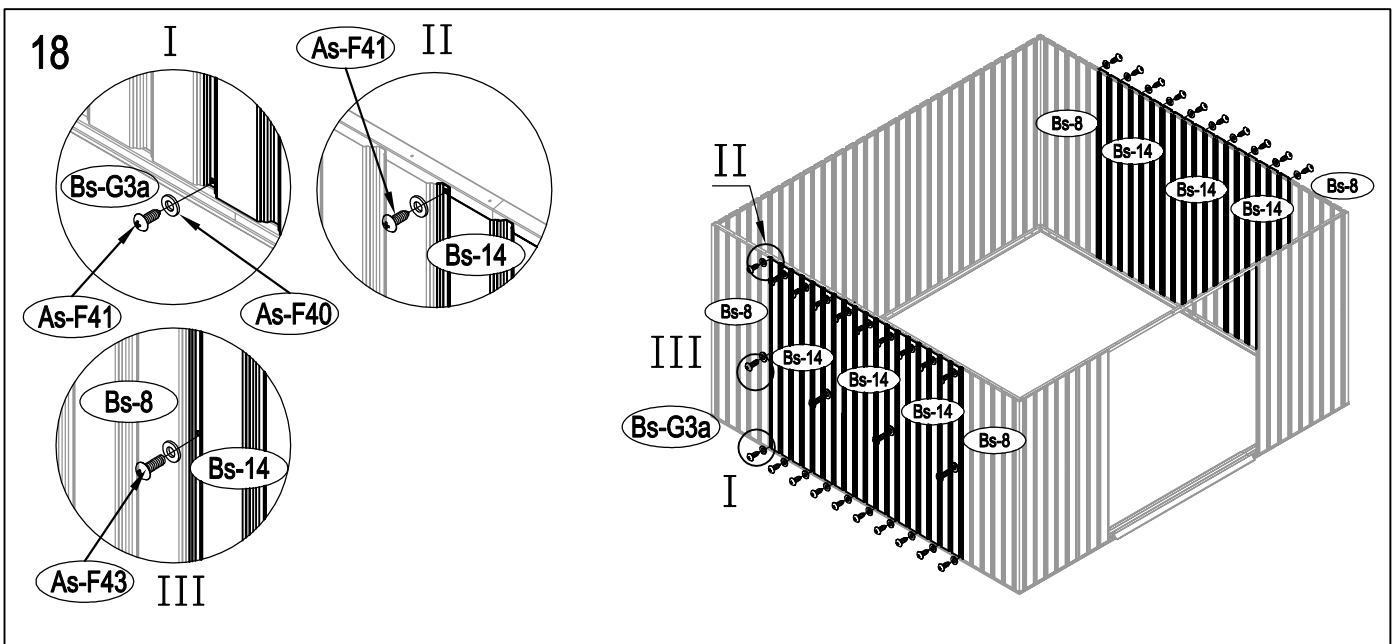
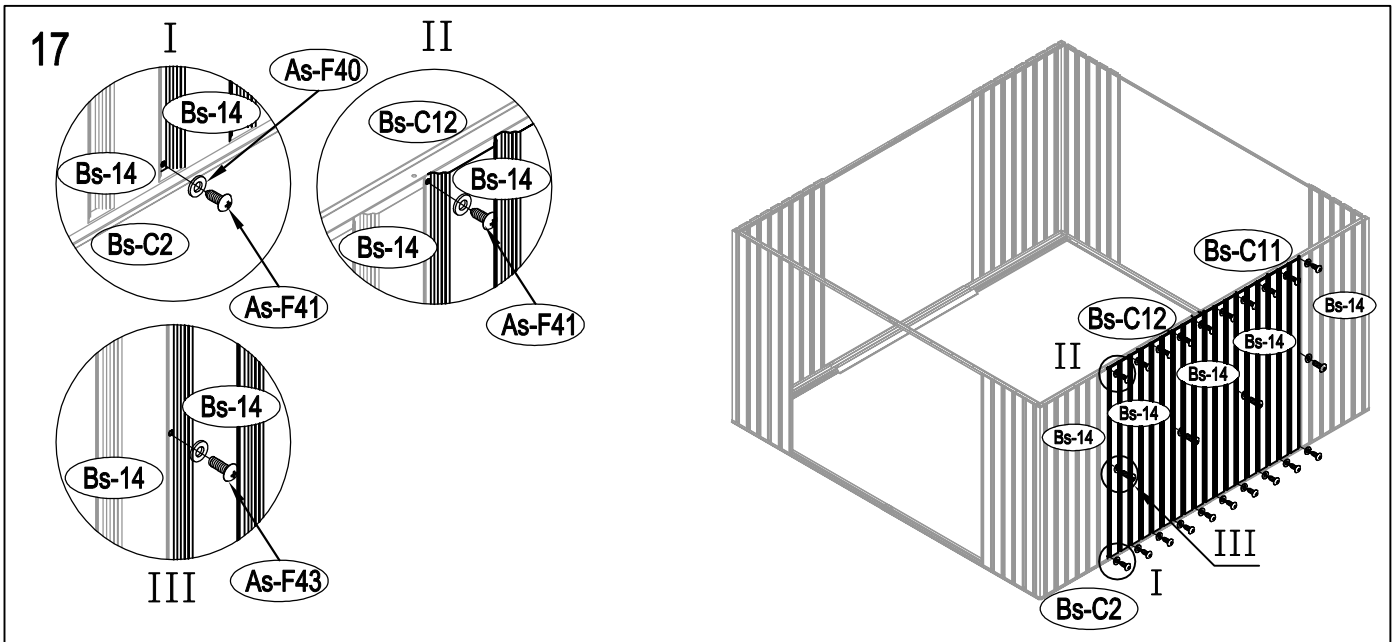
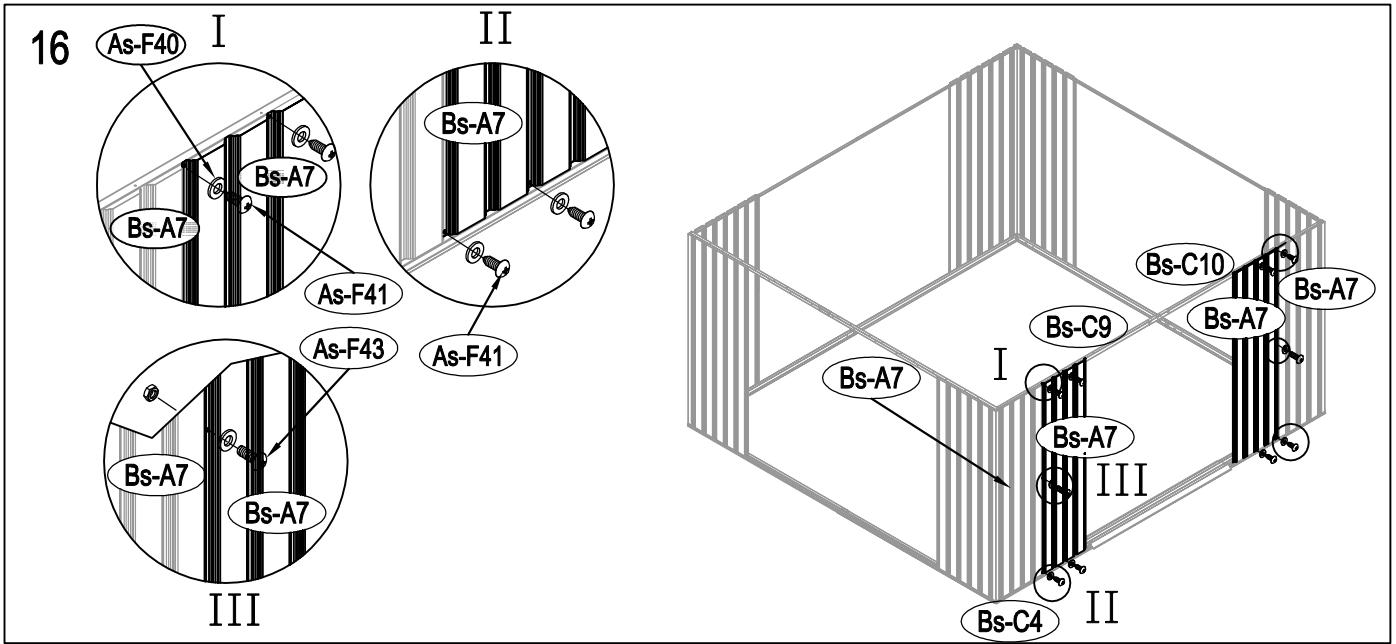


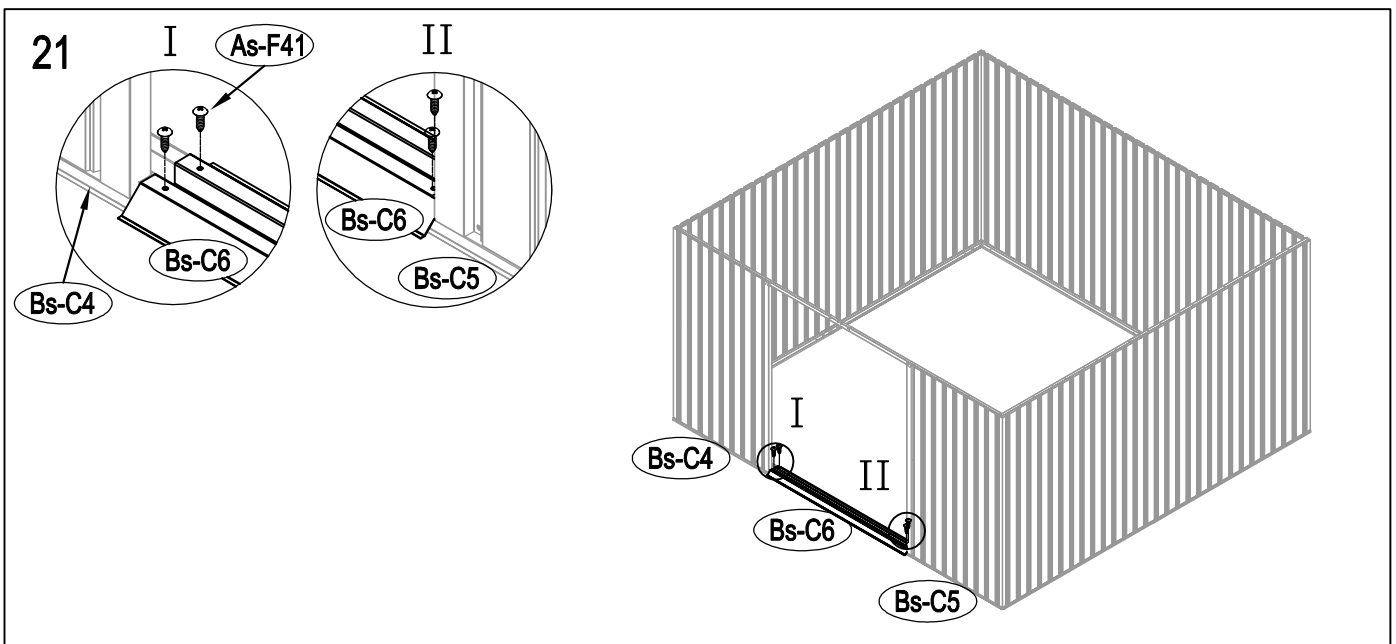
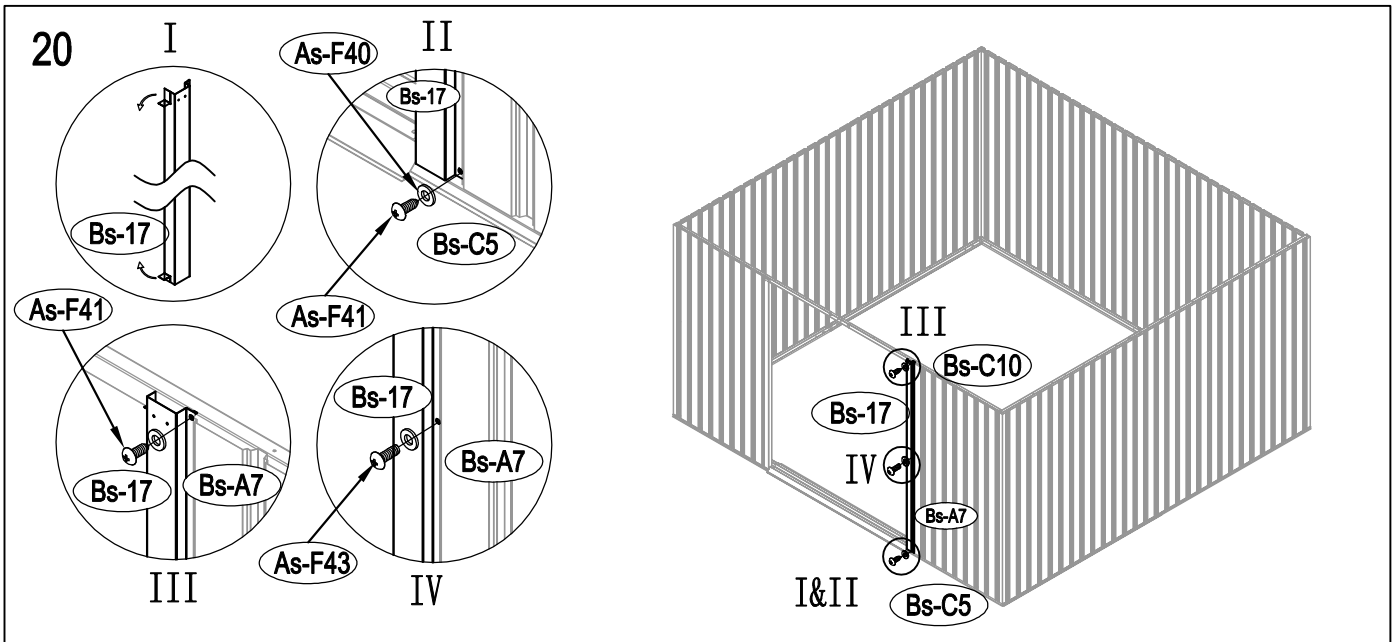
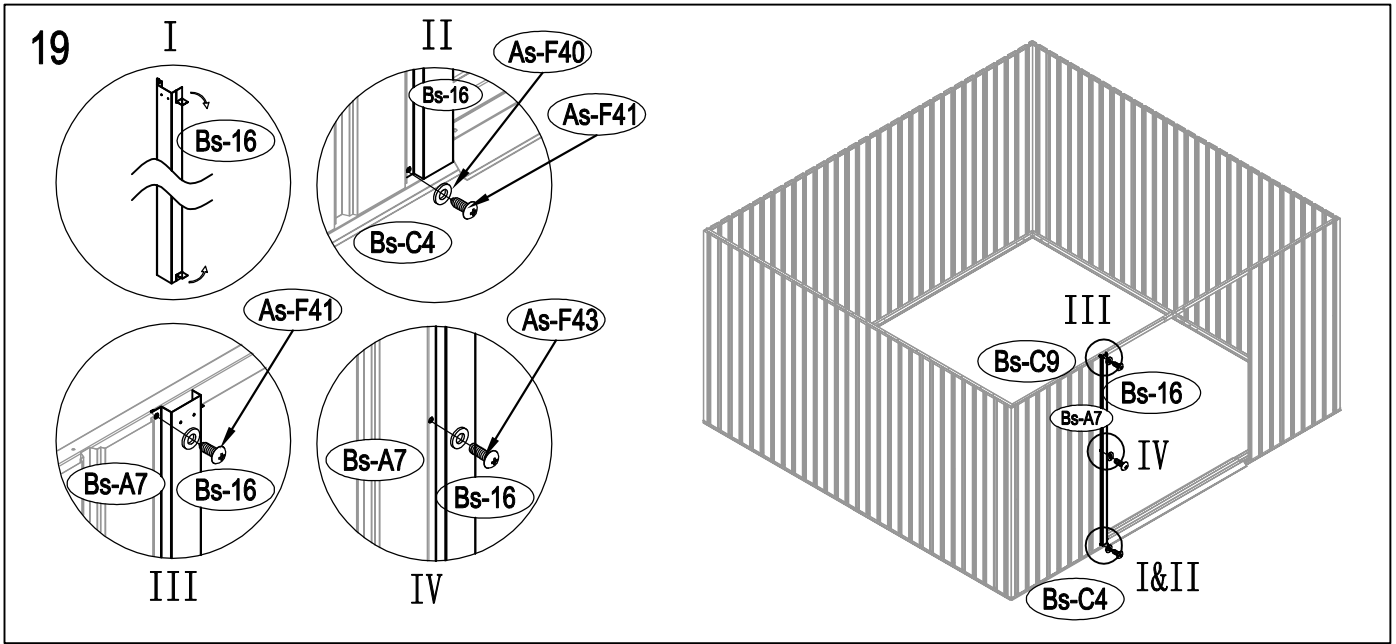
12



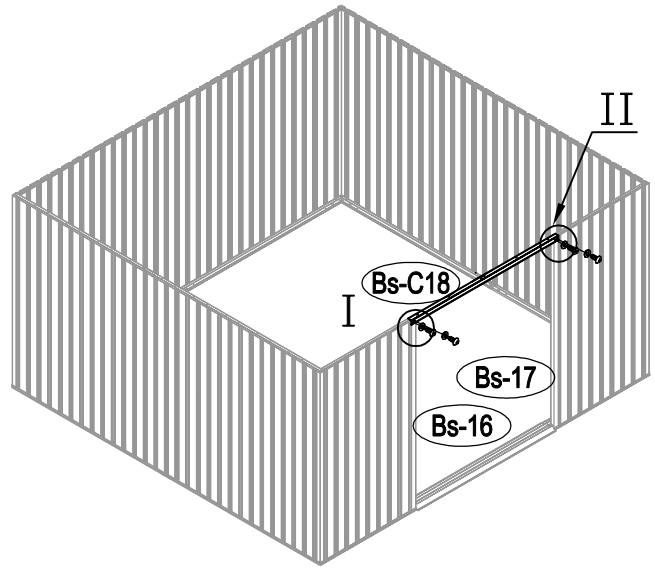
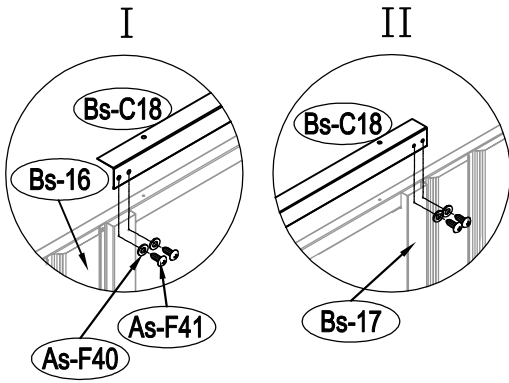




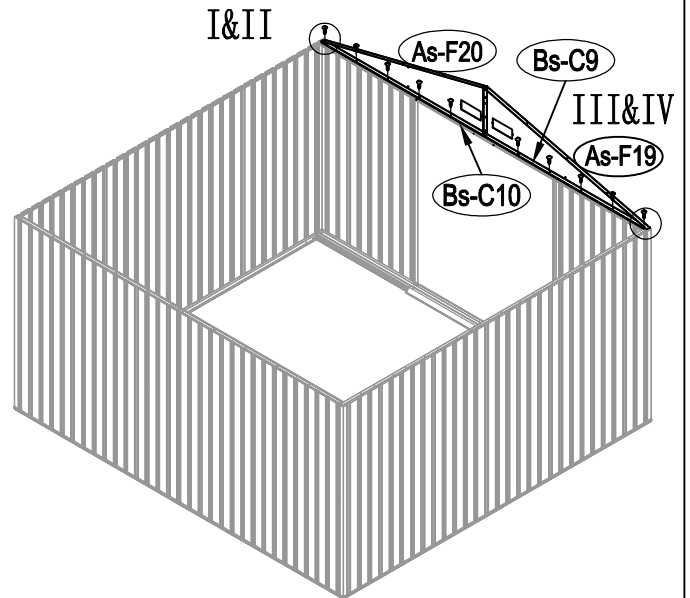
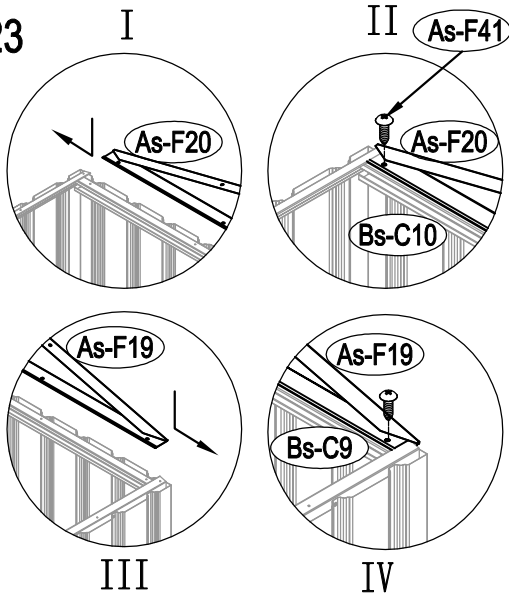




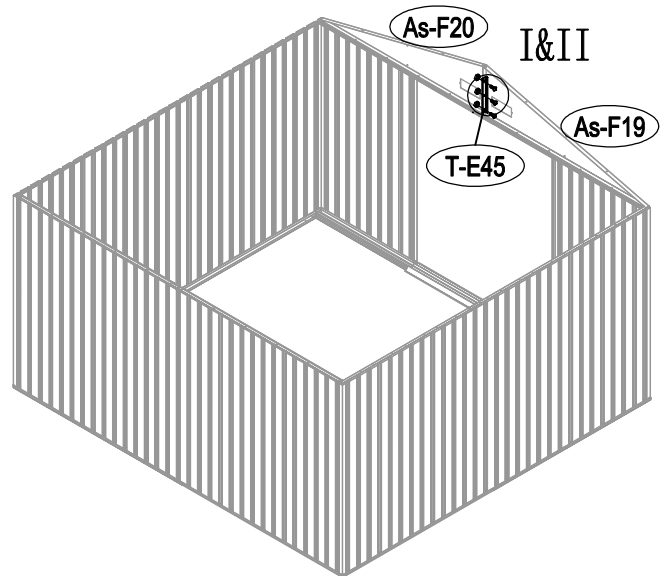
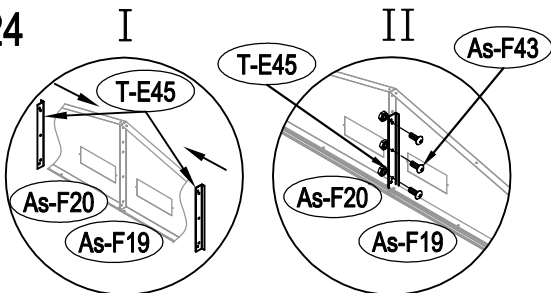
22

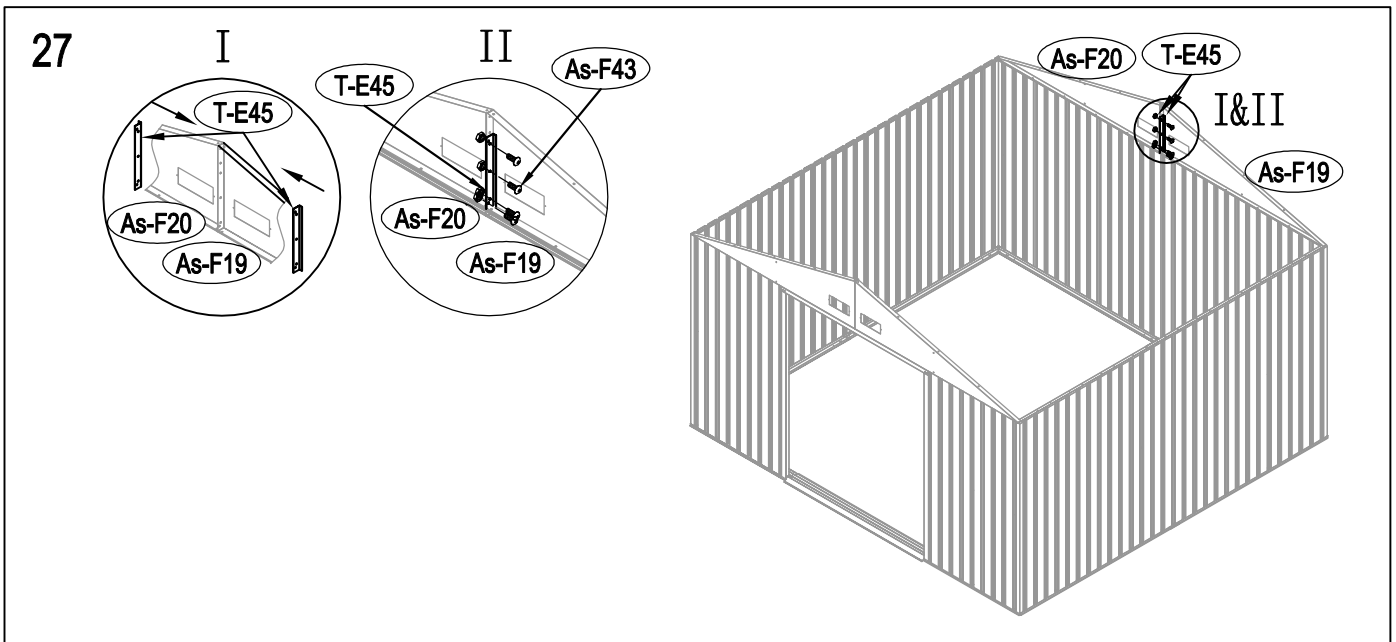
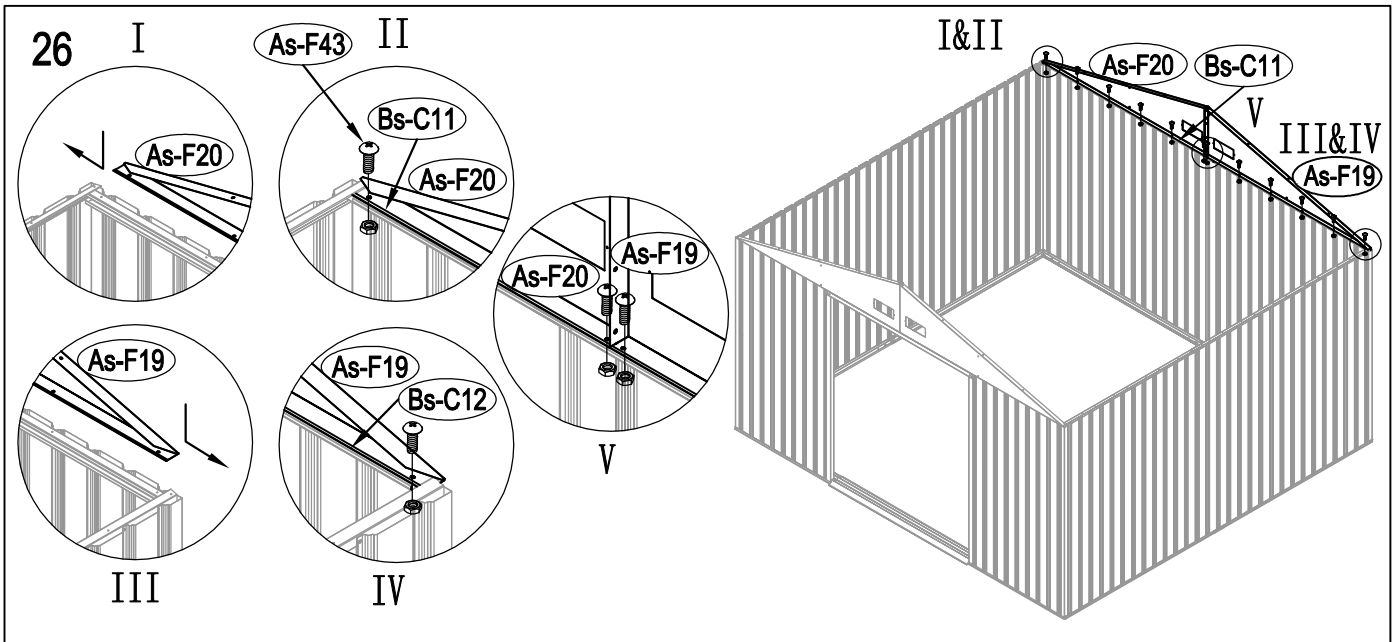
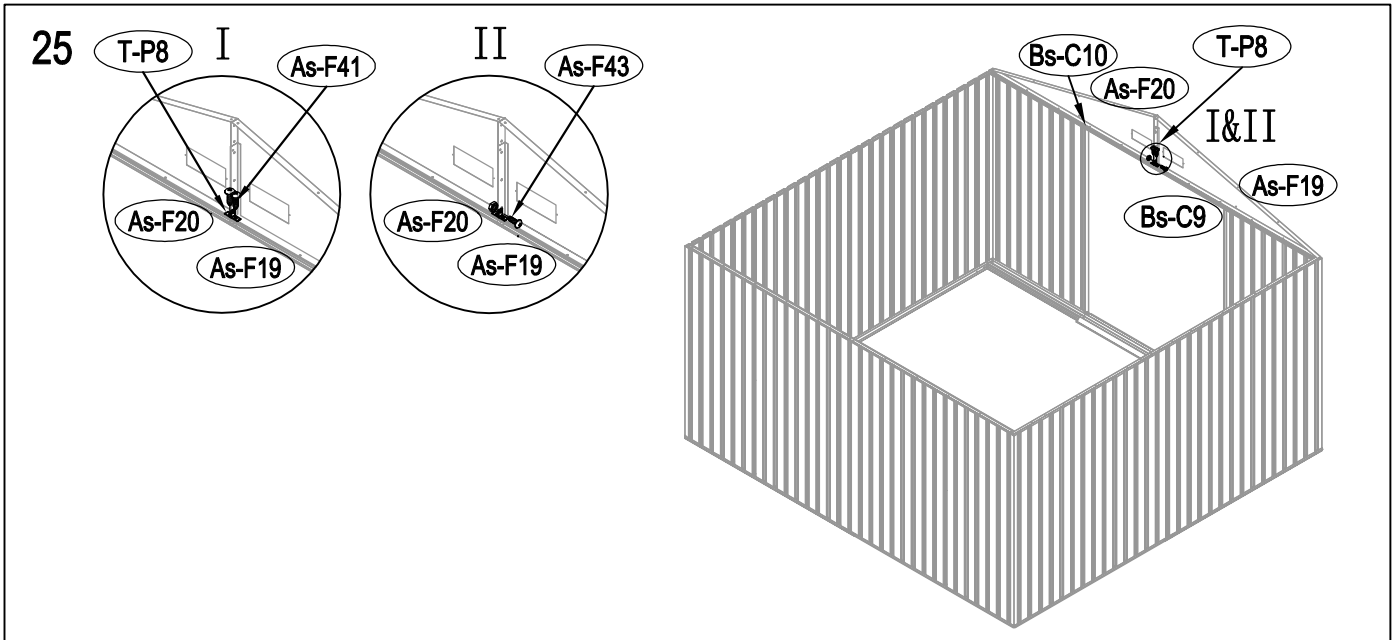


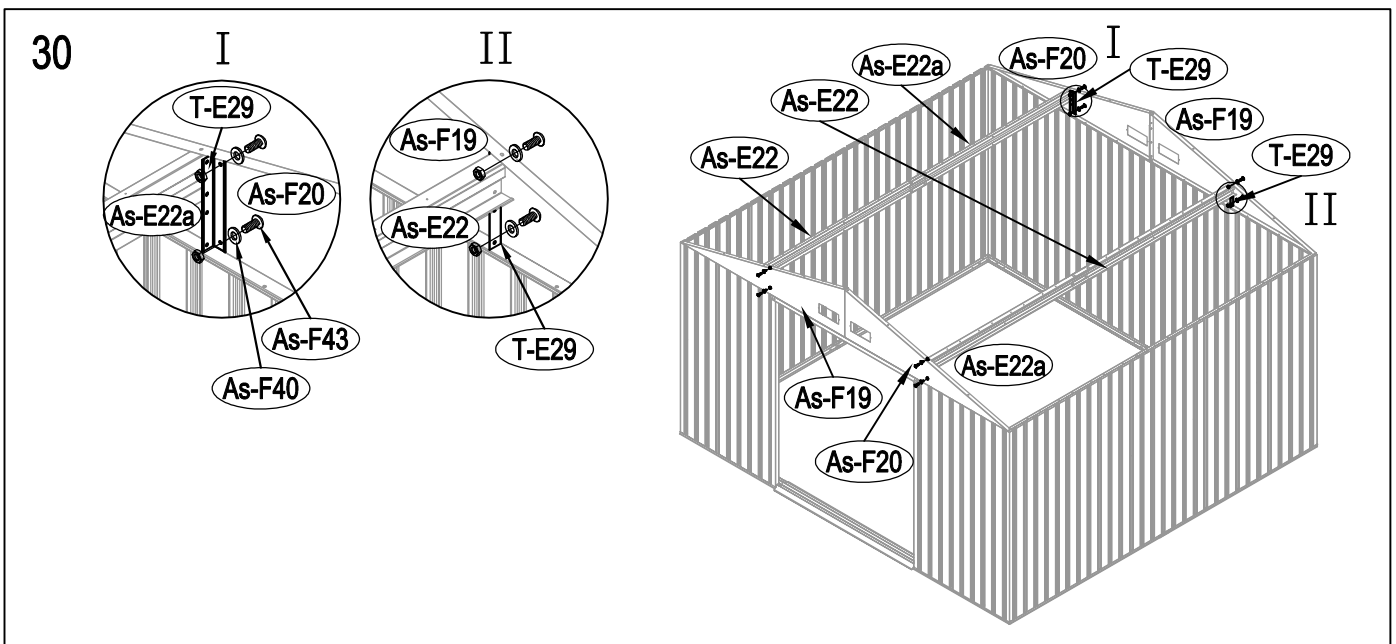
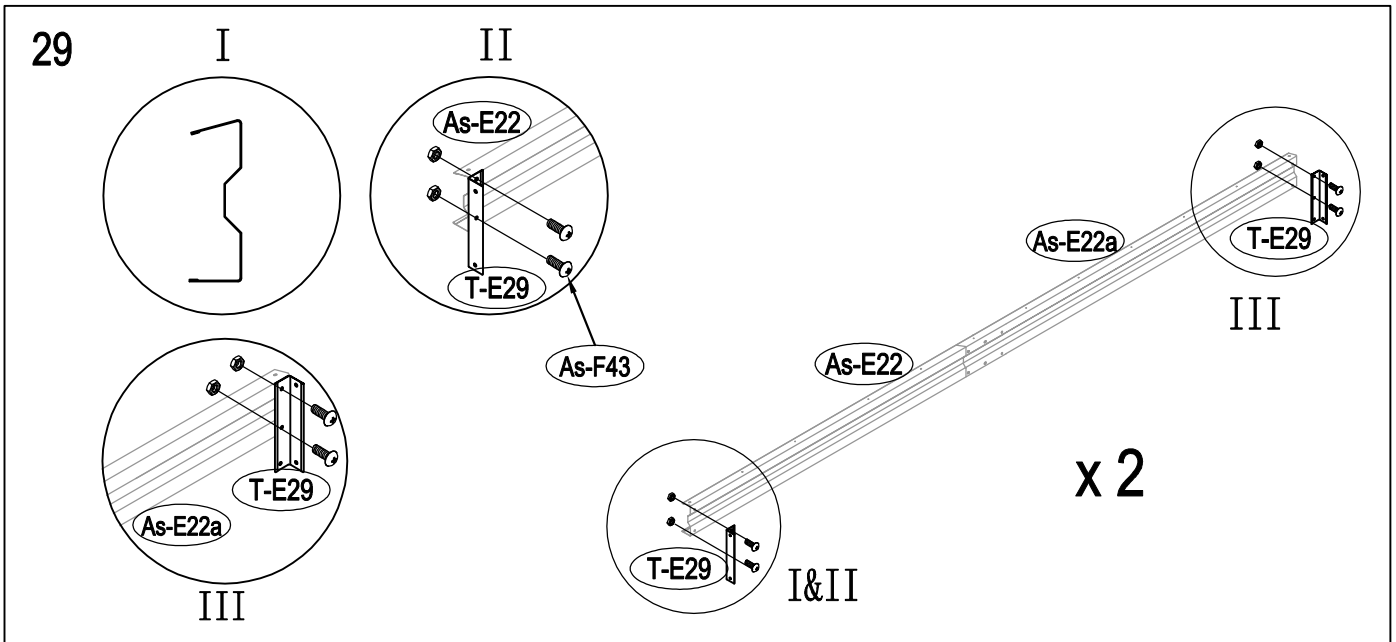
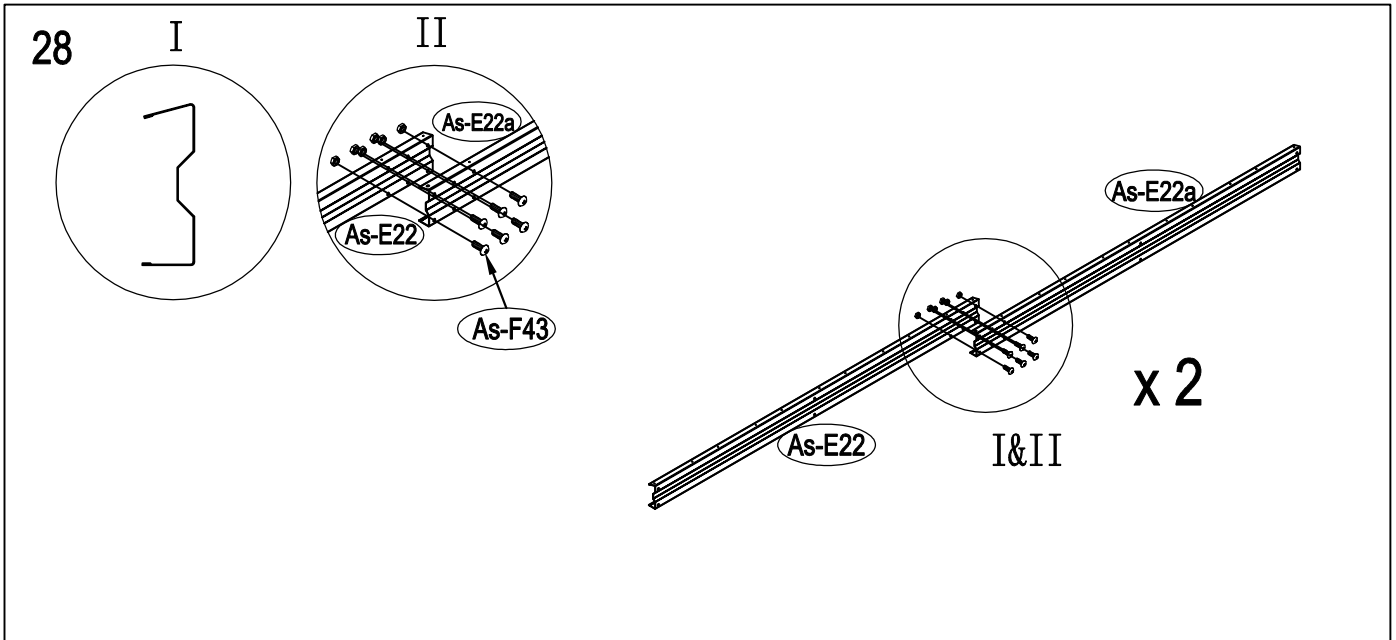
23



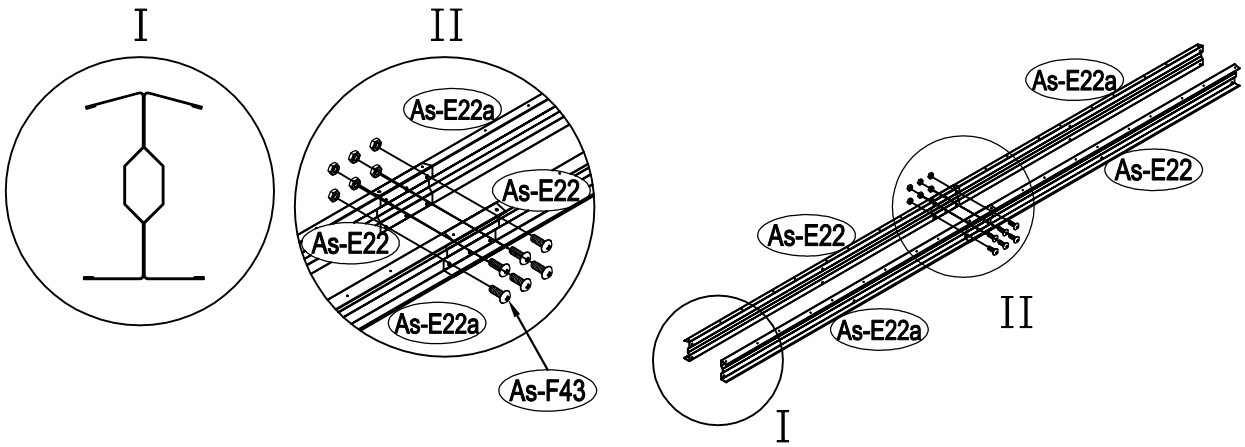
24



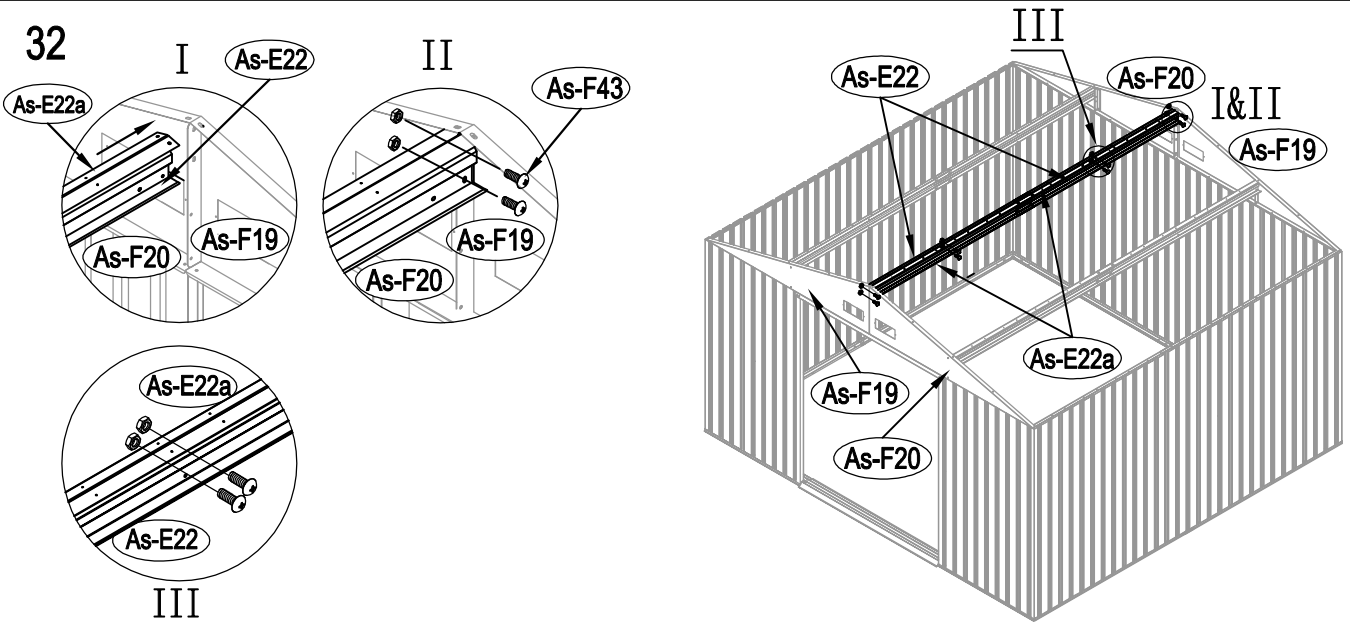




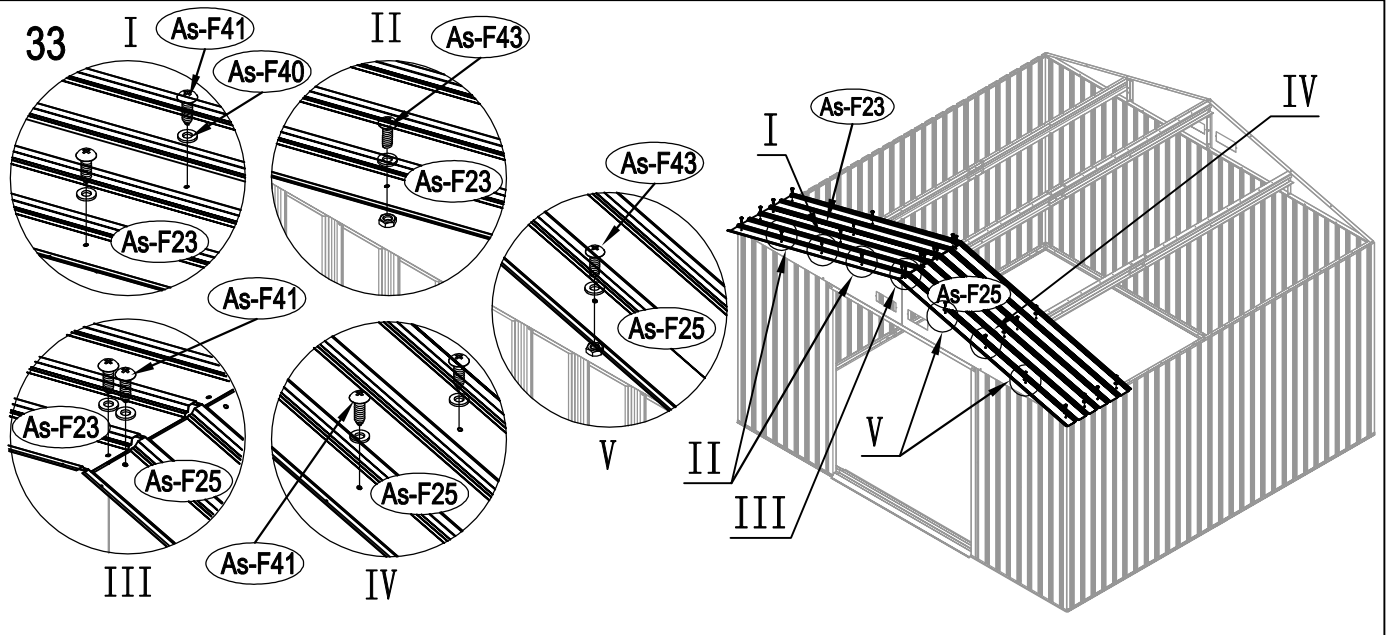
31

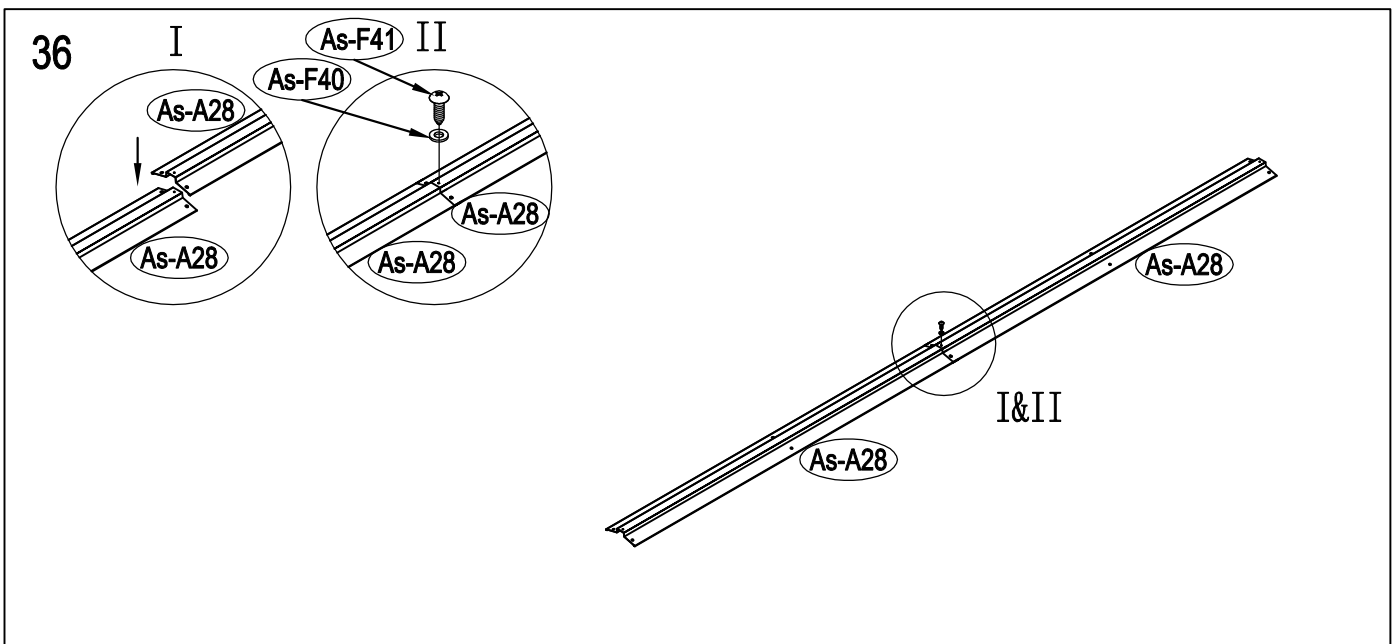
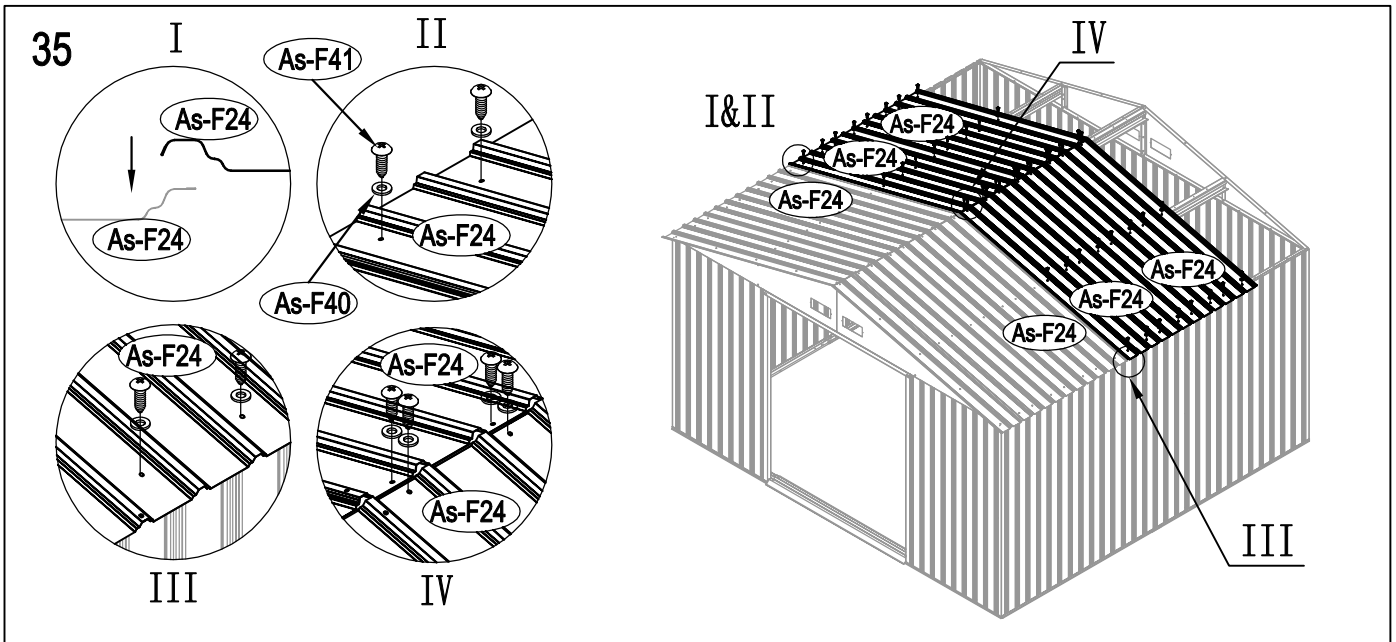
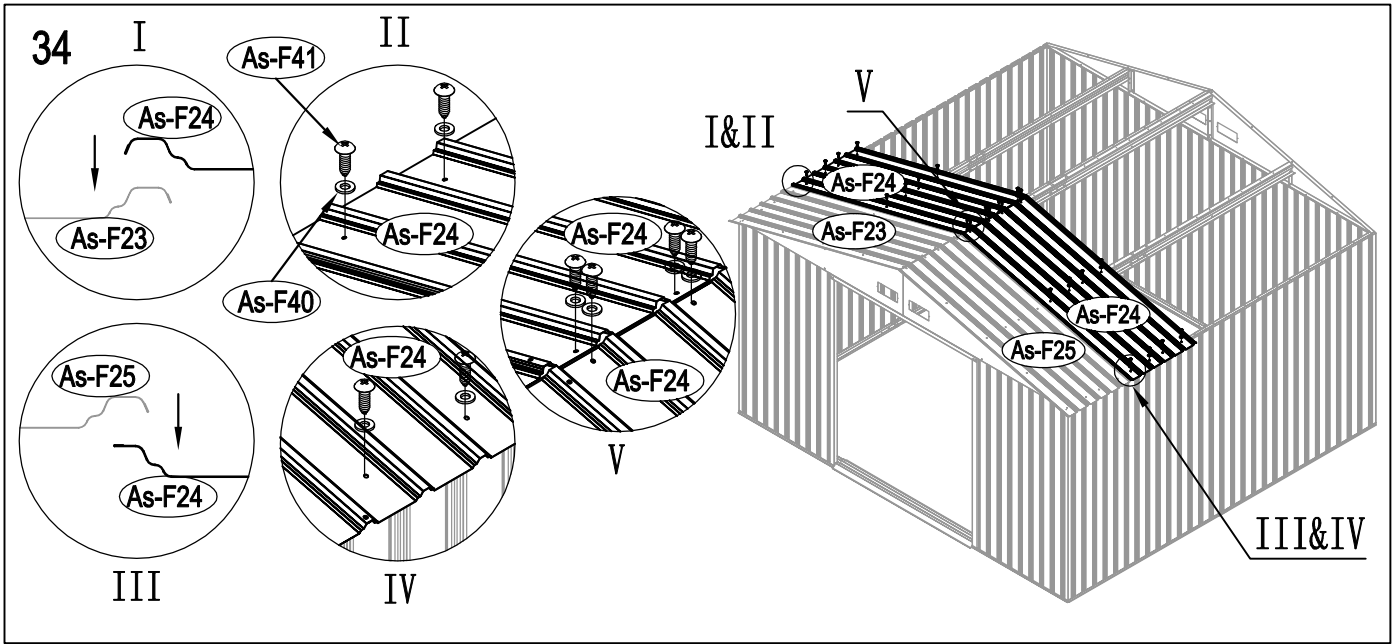


32

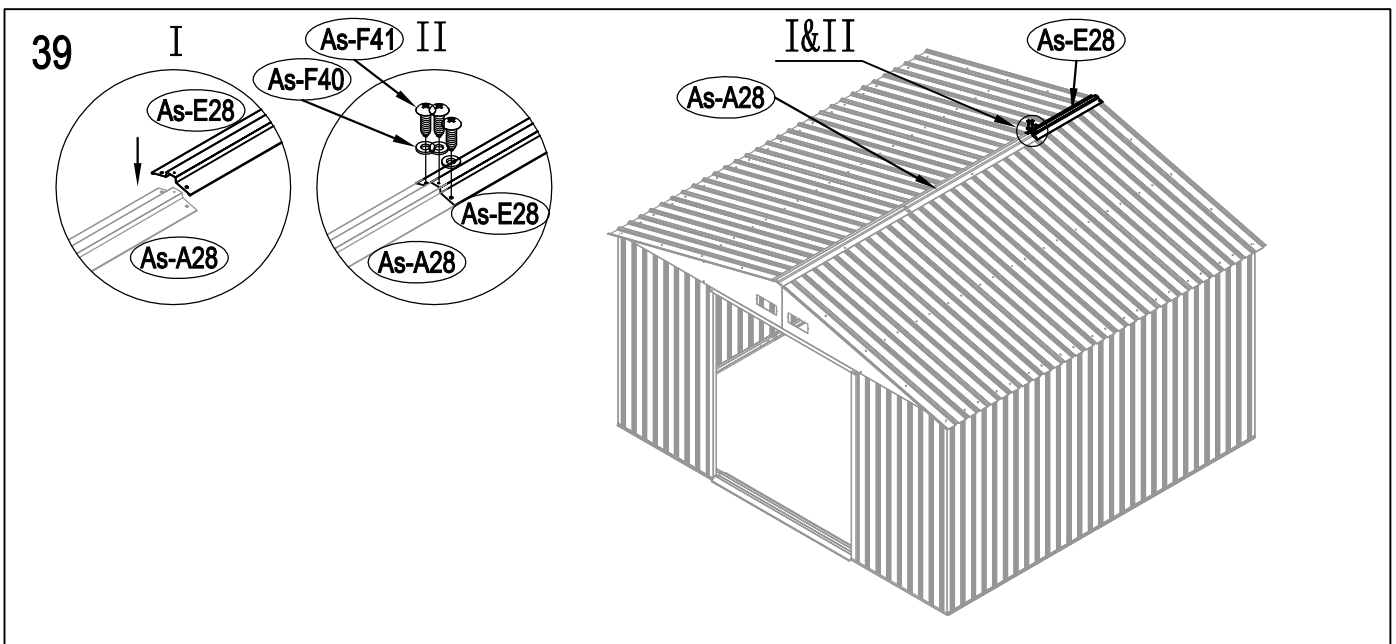
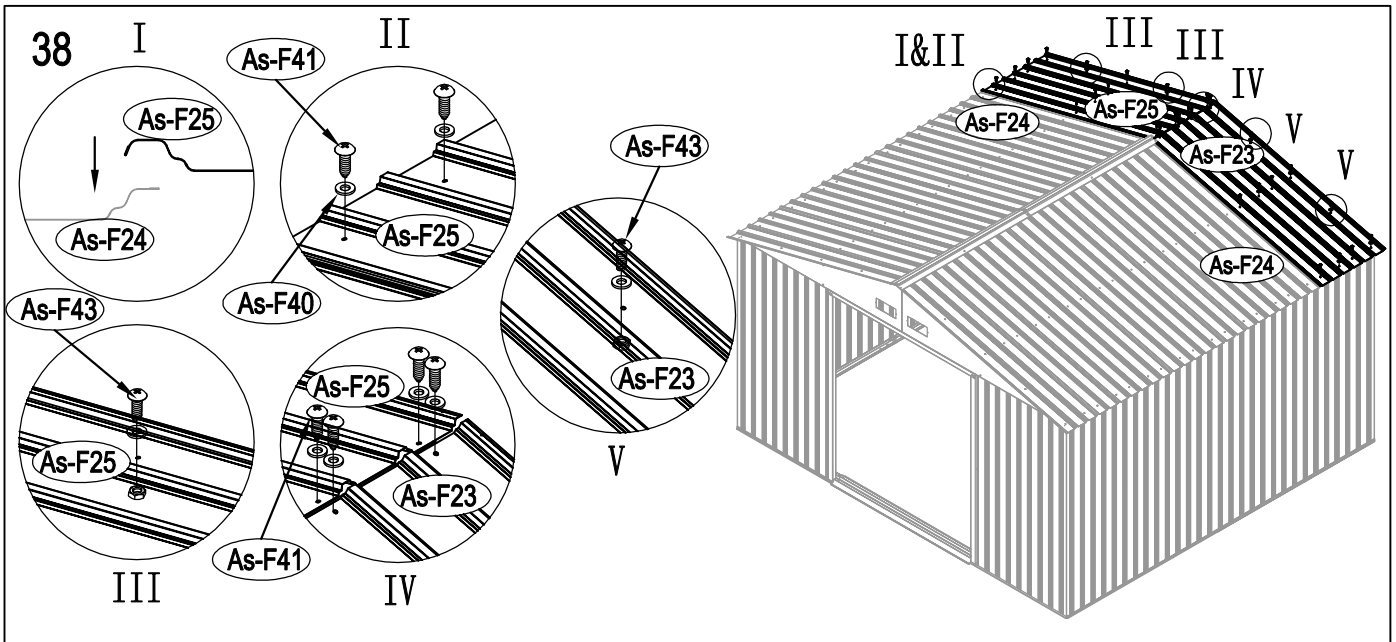
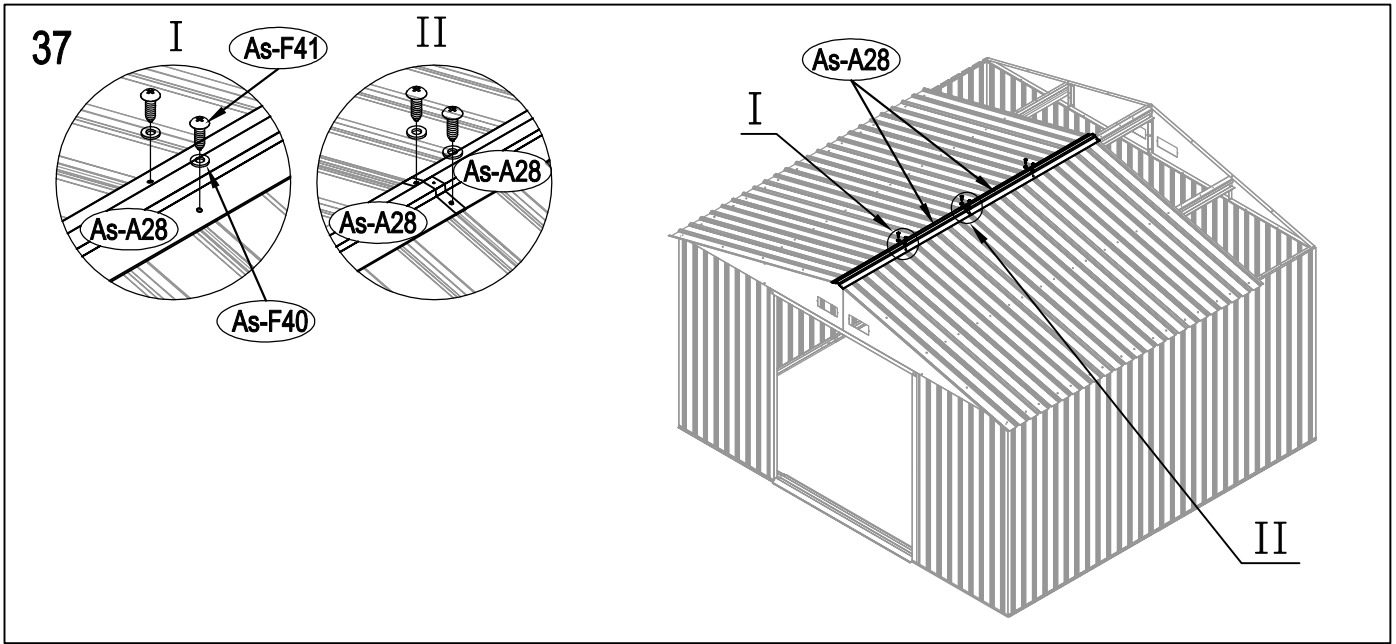


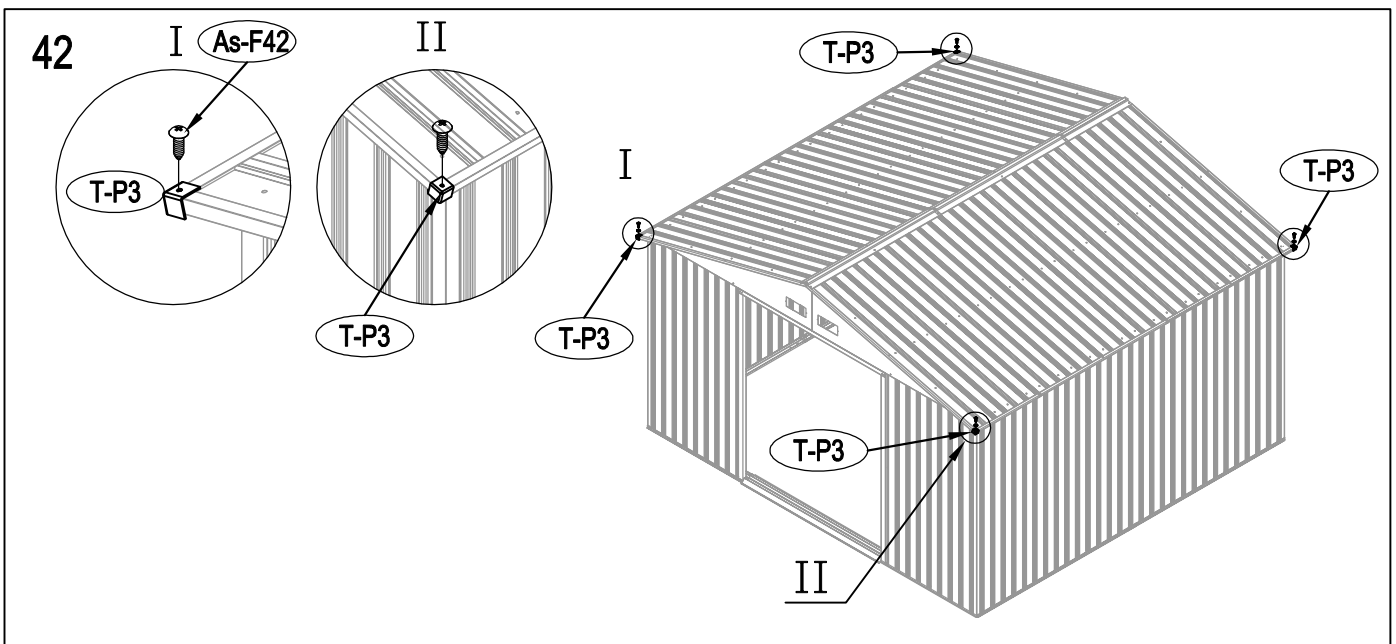
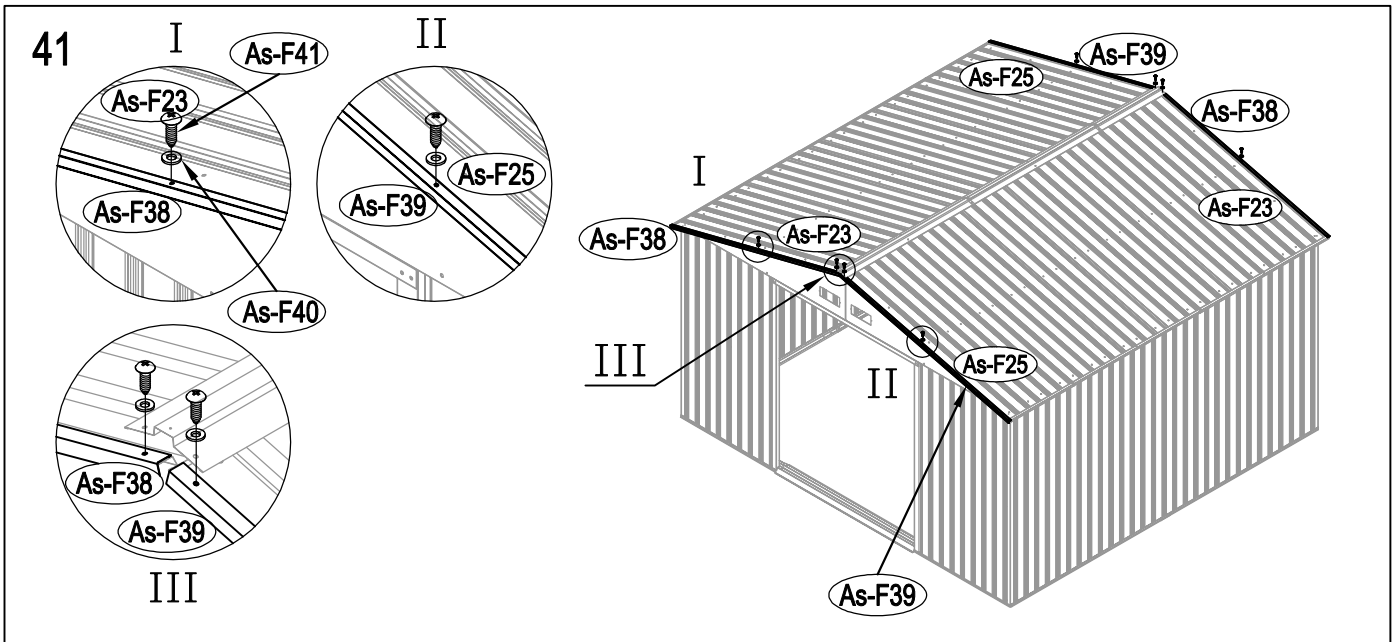
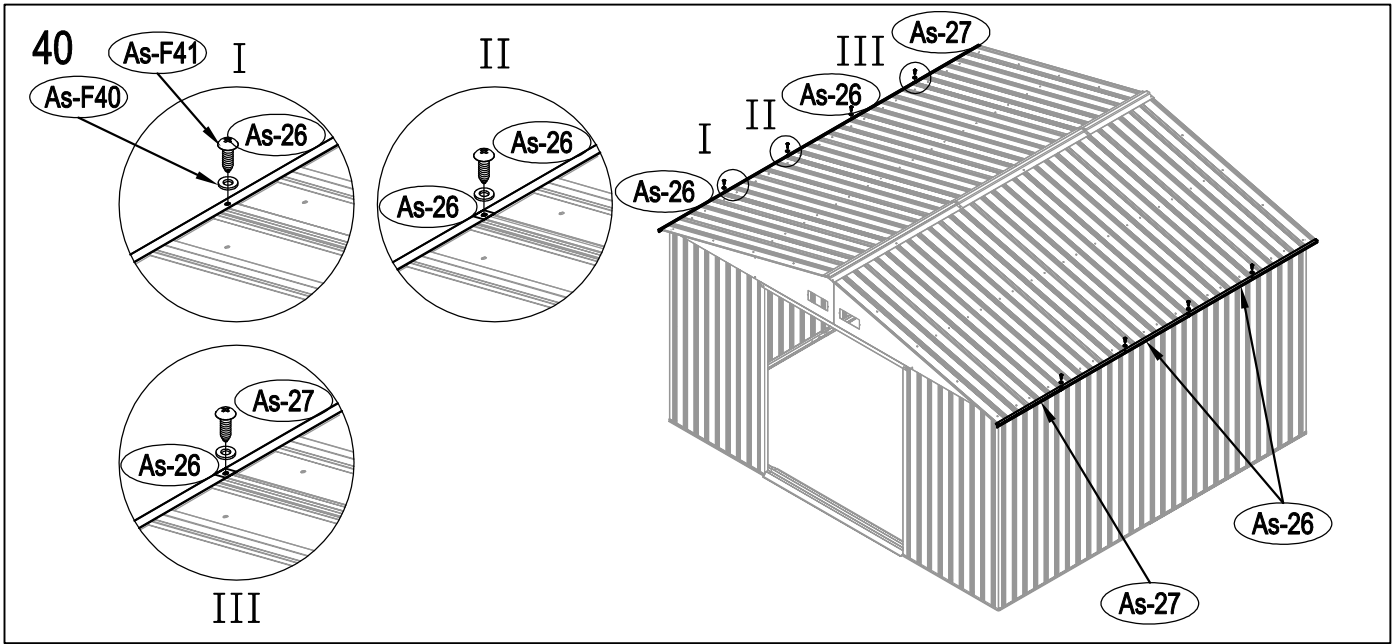
33

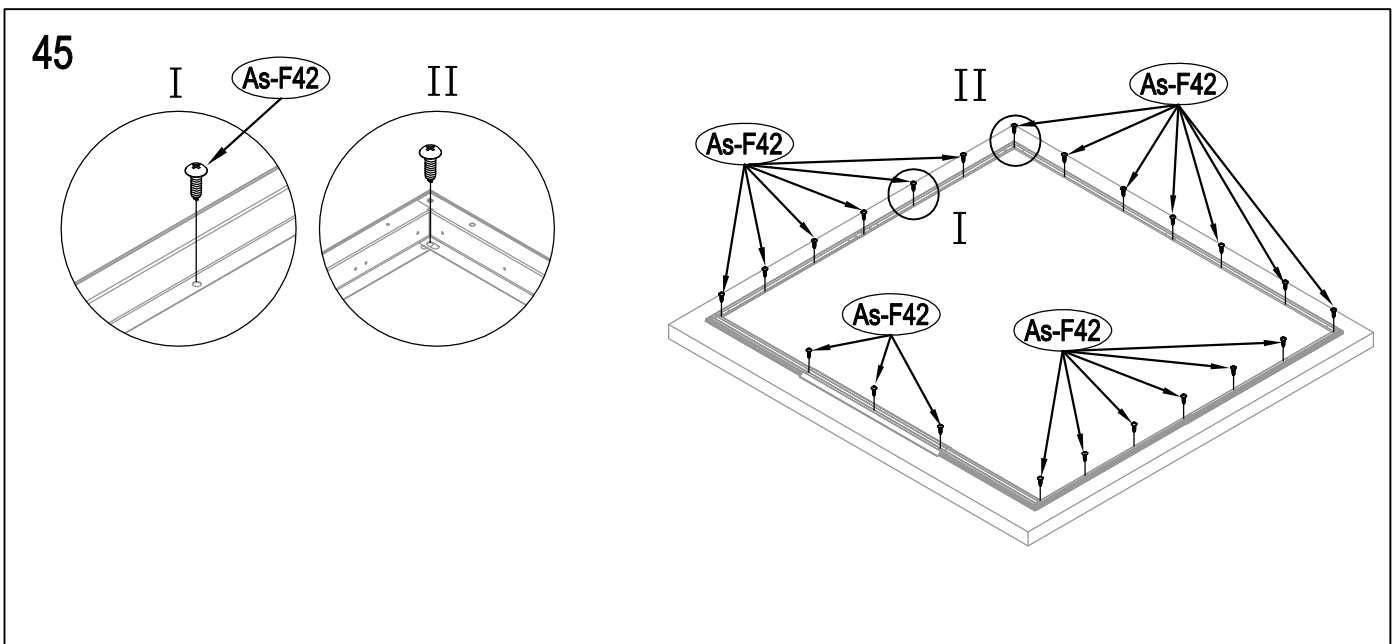
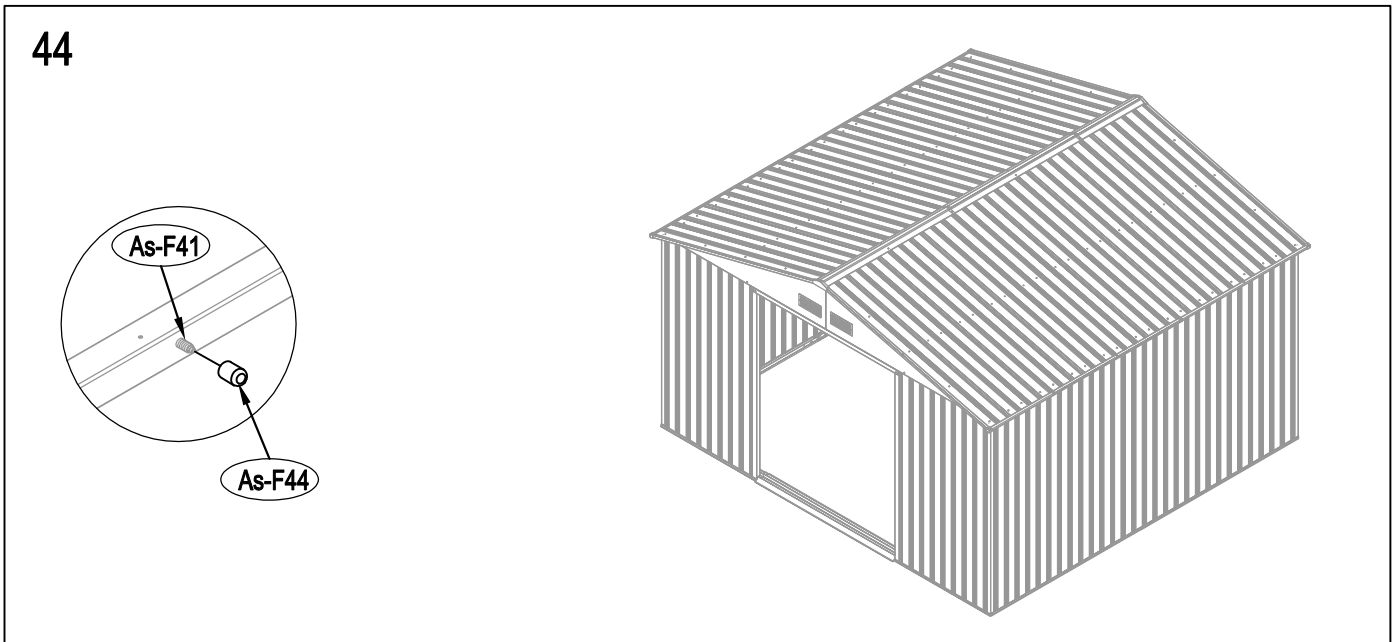
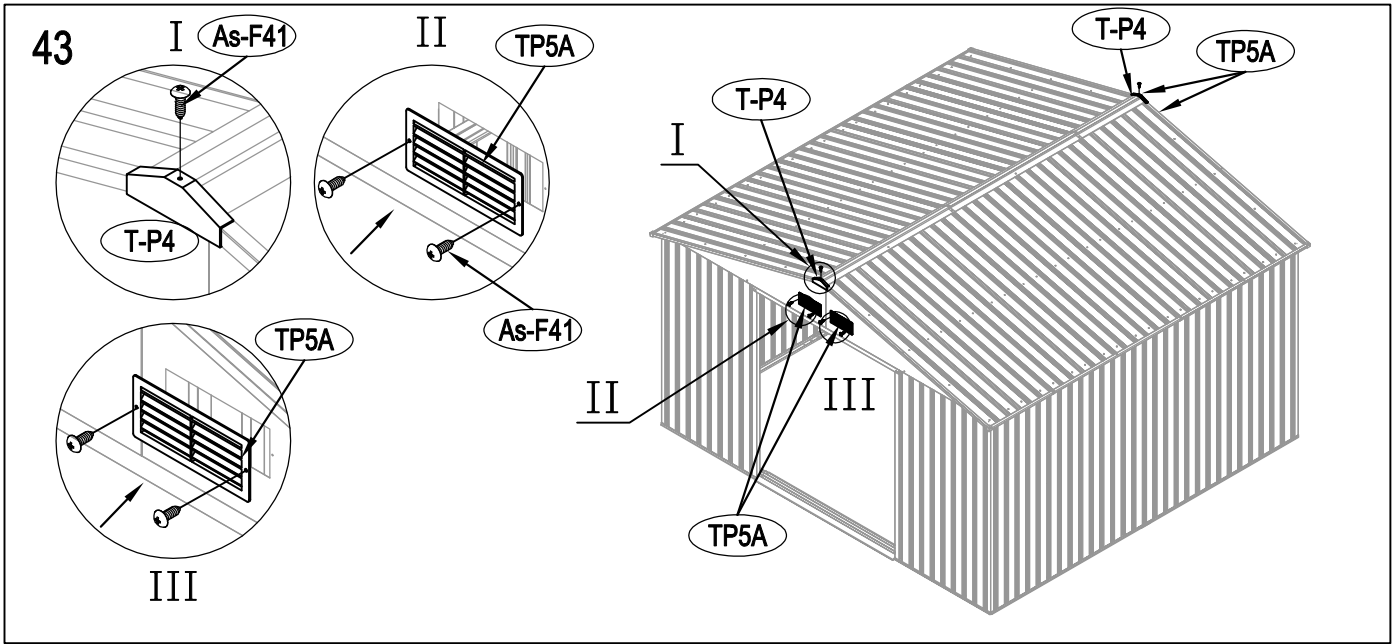


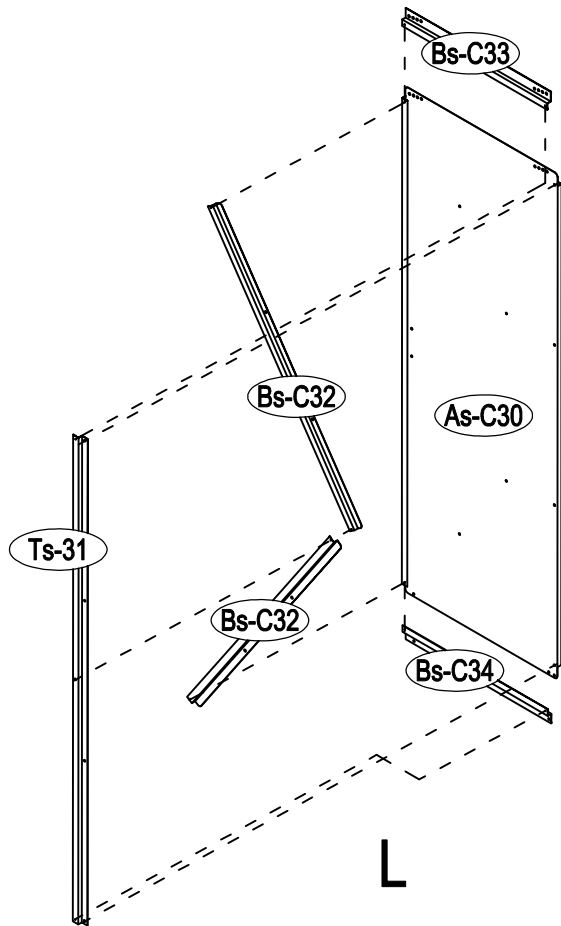




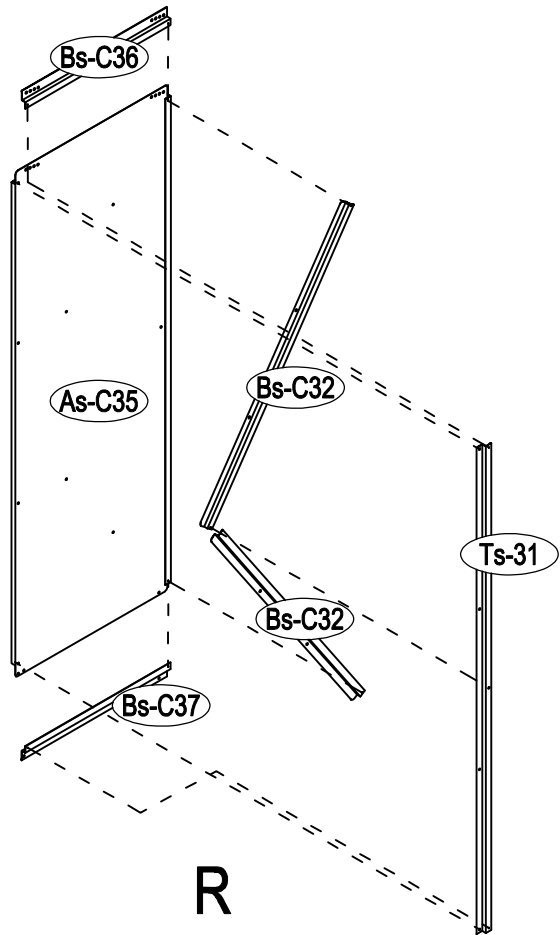








L



R



