

# Assembly, installation and maintenance manual

## Playhouse VS16\_0145

Width 120 x Depth 204 cm

Wall thickness 16 mm



### WARNINGS:

- Not suitable for children under 3 years. Risk of crushing. Intended for children from 3 to 14 years (max 50 kg/user).
- Only for outdoor domestic use.
- To be used under the direct supervision of an adult. Risk of falling.
- The product is supplied disassembled. Adult assembly required.
- Do not make any changes to the product if not agreed with the manufacturer.
- Keep away from fire.



NB! Keep the manual for future reference!

### Attention!

- It is not allowed to climb on the barriers and roof of the assembled house.
- The product is designed for simultaneous use by up to 6 persons.
- The playhouse must be installed on a flat surface at least 2m away from any structure or obstruction such as a fence, garage, house, overhead branches, washing lines or electrical wiring.
- The house must be anchored to the base surface. Select the anchors (not included in the supplied kit) and the appropriate method of attachment depending on the base surface.
- It is not allowed to install the house on hard surfaces, e.g. concrete, asphalt.
- The supplied kit does not include any roof cover material. Before you begin using the house, you must obtain a suitable roof cover material (bitumen shingles or rolls) and install it in accordance with the manufacturer's instructions! It is not recommended to leave the house without a roof cover in the rain or it will void the warranty!
- The product is delivered unfinished.
- Caution. Wooden details can contain slight torn grain or sharp ends and edges.

## GENERAL INSTALLATION INSTRUCTIONS FOR CHILDREN PLAYHOUSES

Dear client,

Thank you for choosing sustainable children's playhouse!

A wooden playhouse is an eco-product that is manufactured from renewable natural resources. Your playhouse uses durable wood grown in Nordic conditions with a moisture content of 16-18% and has been produced in our modern factory with greatest care and expertise.

### Wood is a living material

Wood is a 100% natural and living material which can expand and shrink according to surrounding humidity conditions. There can also be differences in its colour, or elements of it may be twisted or bent. These peculiarities will not hamper the installation of the playhouse. Every wooden element in a playhouse is unique and special in regard to its texture and to the size and shape of the branches. An irregular pattern of side branches is characteristic for spruce. The stability of the product is not impaired by intact or ingrown knots, resin pockets, small cracks caused by the drying process of each element if they have not penetrated through it. There may be finger-jointed elements in your playhouse which, during processing, have become even more stable in terms of the twisting and bending which could occur in the future.

*\* These are general installation instructions and apply to different types of playhouses. For detailed information regarding your specific product, please follow the manual that is provided with the product itself.*

**PLEASE READ THE FOLLOWING INSTRUCTIONS IN FULL BEFORE STARTING THE ASSEMBLY**

### After receiving your package

- Ensure that there is no transport damage. If you detect any damage to the packaging, record it by taking photos and sending them (along with a description and packing number which you find on the package foil) to the Seller.
- **Note down the packing number of the pack (you can find it on the package foil and technical documents inside the package). You will need this number in the event of reclamations and to make any claims under the guarantee.**
- Verify that the set is complete and that all of the elements are up to standard. The list of elements can be found in the technical specifications of the house (included in the package). Should you find a damaged or missing element, record it by taking photos (before you start assembling), mark the parts on the Specification list and forward this information together with packing number to the Seller. In advance please read the terms and conditions of the warranty that applies to your playhouse.
- Do not leave the package containing the elements of the playhouse or the elements themselves exposed to rain, snow or sun, in contact with the ground or in heated rooms. While elements are left exposed to the sun the extreme bending can occur within few hours.

### During installation

- The playhouse must be installed on a flat surface at least 2m away from any structure or obstruction such as a fence, garage, house, overhead branches, washing lines or electrical wiring.
- When selecting the playhouse location, make sure that the house will not be subjected to extreme weather conditions (areas of strong snowfall or winds).
- While installing your playhouse do not place elements on the ground where they can get stained. Untreated wood is difficult to clean afterwards.
- Protect the elements and partially installed house from any weather conditions (wind, snow, ice or rain) that could damage the product.
- Do not leave the uninstalled elements exposed to intensive sun, the extreme bending can occur within few hours.

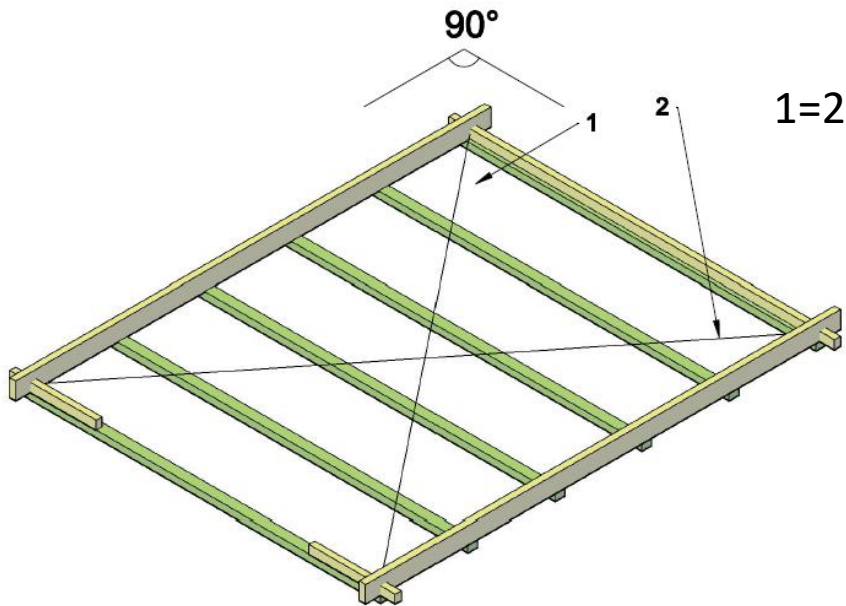
### General remarks

- To ensure the safety and long life of the playhouse, it is important to protect it from weather conditions with the help of anchors and roof felt strips – even if these accessories are not included in your set.
- To prevent splits in the wood, we recommend pre-drilling screw holes.
- There may be unplanned areas, dull areas or areas where knots extend beyond the edge of the roof or floor boards of the garden house. To achieve the best results, the boards can be placed so that these defects remain hidden by rotating the boards as necessary.

### Foundation

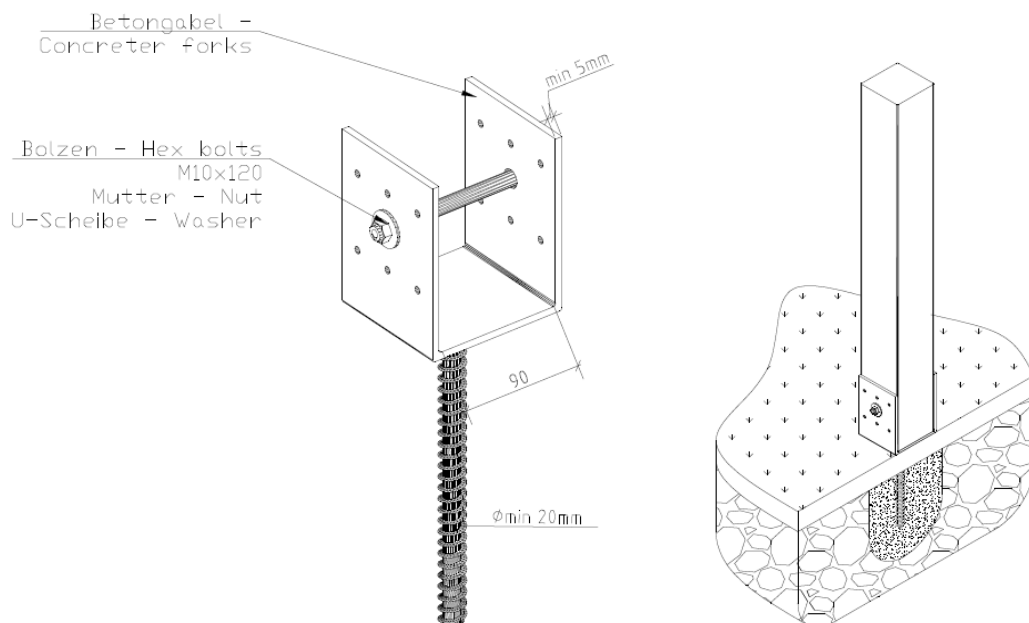
- Since the foundation beams are in constant contact with the ground they must be treated with a special wood preservative. Consult a specialist regarding paints suitable for unprocessed softwood and follow the paint manufacturer's instructions.

- Only strong, perfectly levelled foundations will ensure a smooth installation process. The subframe should be level (use water level to check) and square (measure the diagonals, they should be even).
- A damp-proof barrier should be used between the foundation and the wooden structure.



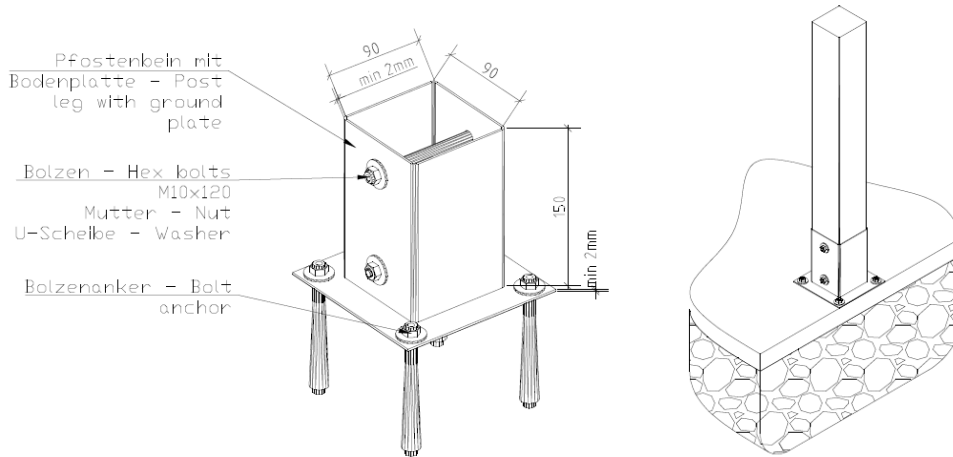
- **The house must be anchored to the base surface!**
  - Select the anchors (not included in the kit) and the appropriate method of attachment depending on the base surface.
  - We advise the removal and storage of accessories like swings and sleds during the winter because the characteristics of the frozen soil are not suitable for safe play. To avoid heating up of accessories, do not place them facing the sun.
- A. Soft surface installation

When installing the house on a soft surface, use 4 pcs concrete forks (not included in the kit). After digging a hole for each support, fill it with concrete and place the concrete forks in the precisely measured spots. Make sure that all the concrete forks are situated at the same height! Allow sufficient time for the concrete to harden. After that put the house on the forks and attach with bolts.



## B. Hard surface installation

When installing the house on a hard surface, use 4 pcs pillar legs (not included in the kit). Put the pillar legs on the pillar ends and move the house to the chosen place. Drill holes in the base surface and attach the pillar shoes with wedge anchors. Drill holes in the wooden pillars and attach with bolts.



NB! In order to reduce fall hazard the surface under and around the house must be filled with mulch or another softening material. Special anti-impact mats designed for playgrounds can also be used.

## Roof

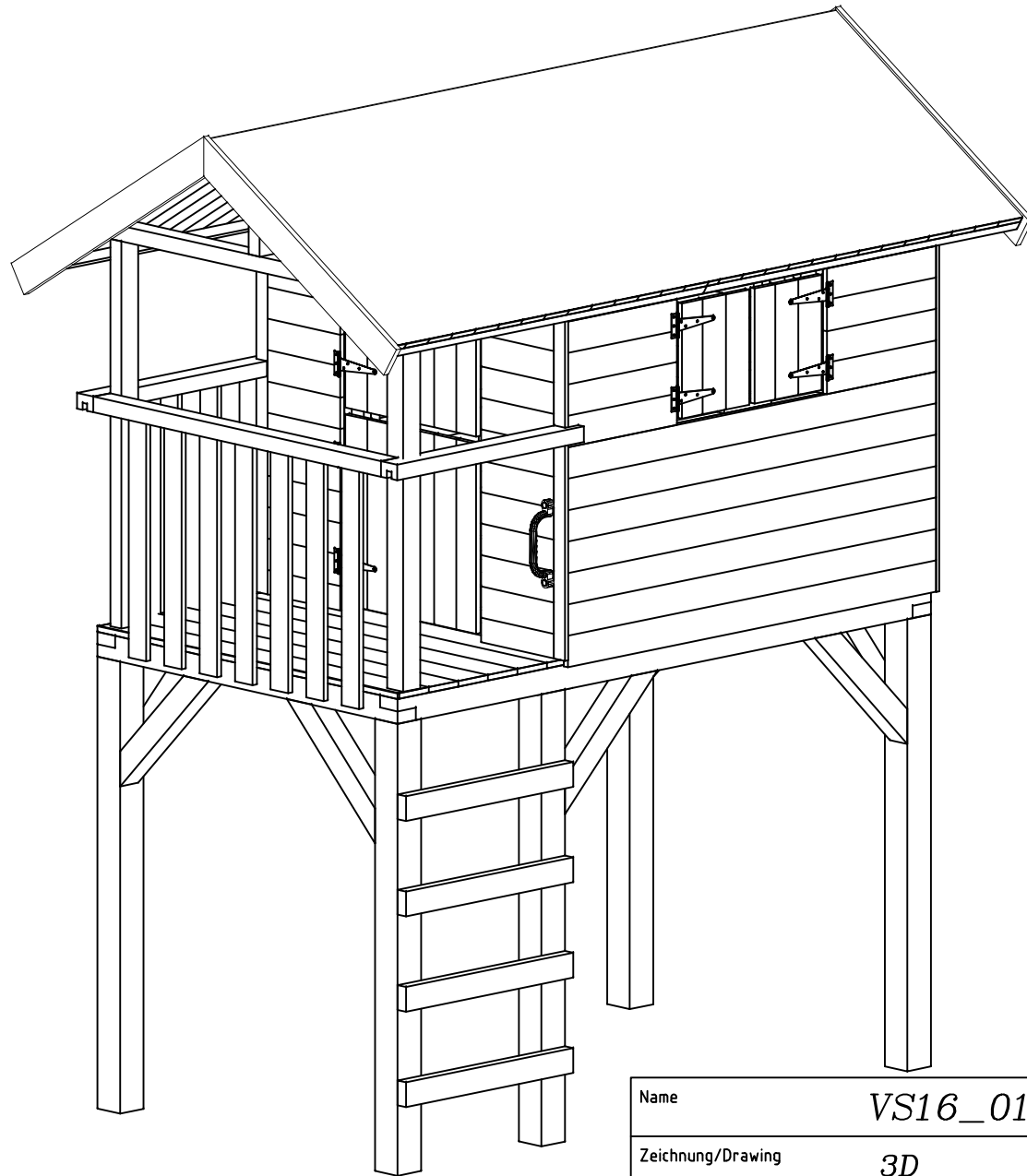
- Roof felt as a covering material (if included in the set) is designed for short-term use only. However, it is also suitable for use as an underlayer with other roofing materials.
- When installing roof boards, the need for a 1-2 mm expansion gap should be borne in mind.

## After installation

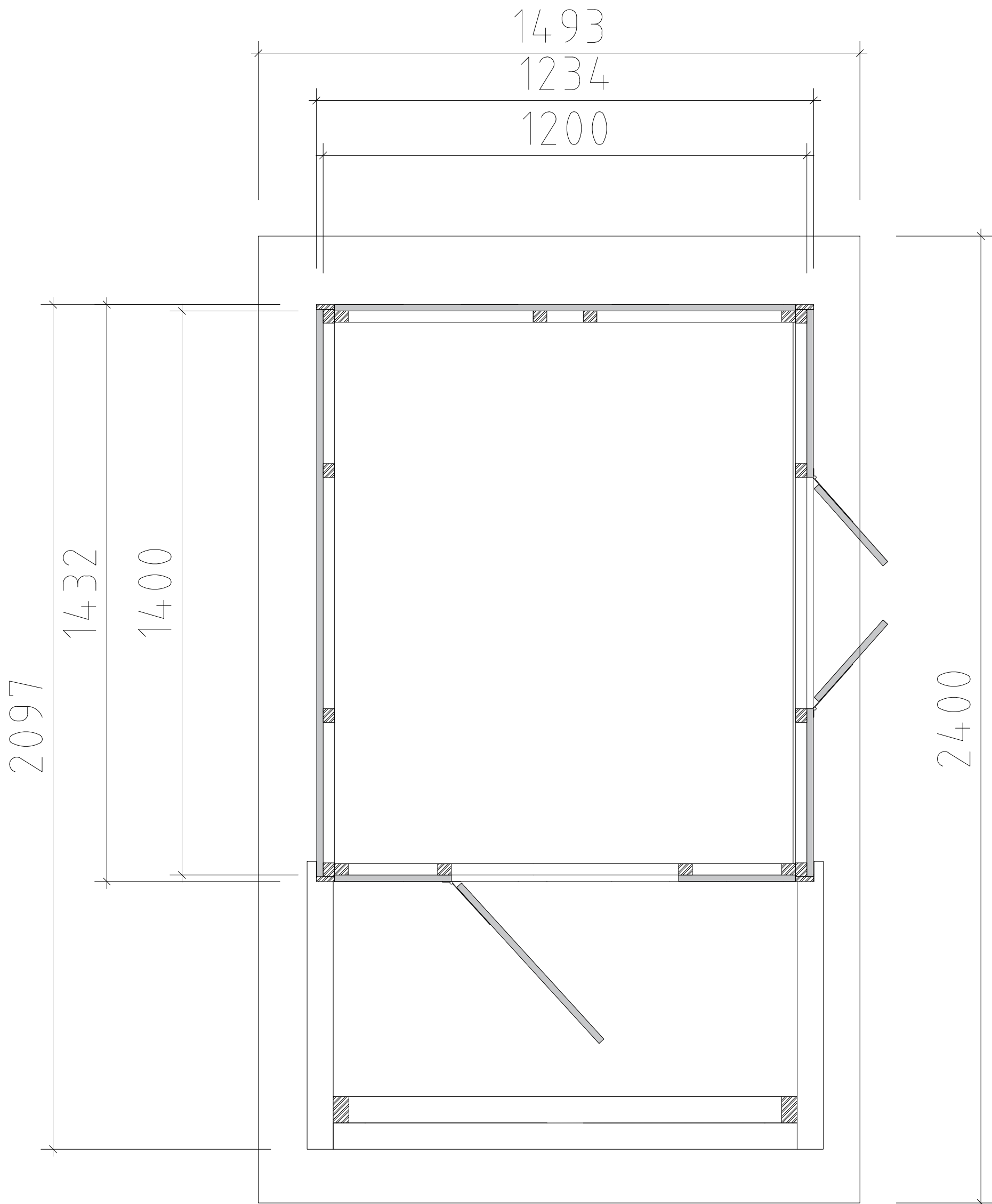
- After installation the playhouse must be finished with a wood preservative in order to avoid changes in color, bending and moisture damage. Windows and doors must be treated on both sides. Consult a paint seller regarding the choice of wood preservative. Choose dry day for painting works.

## Maintenance

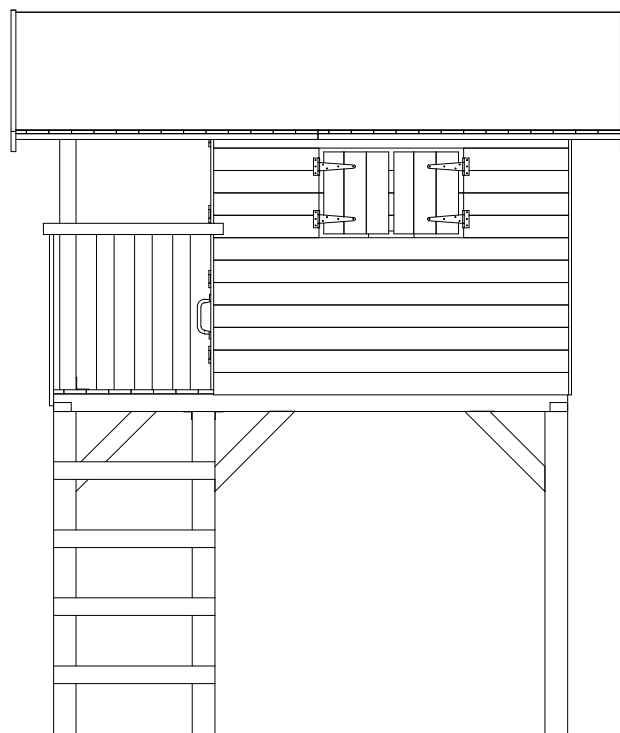
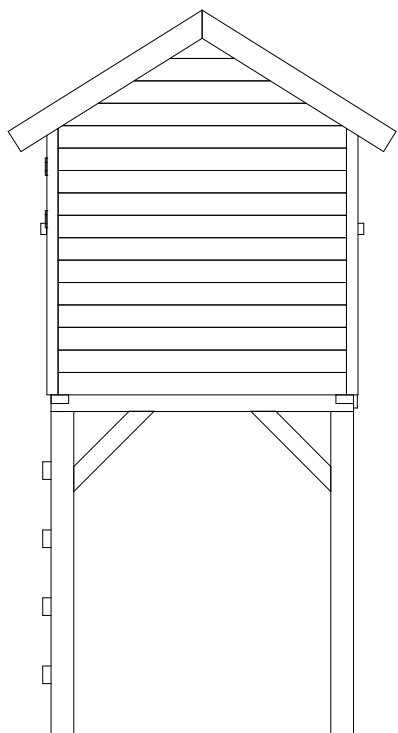
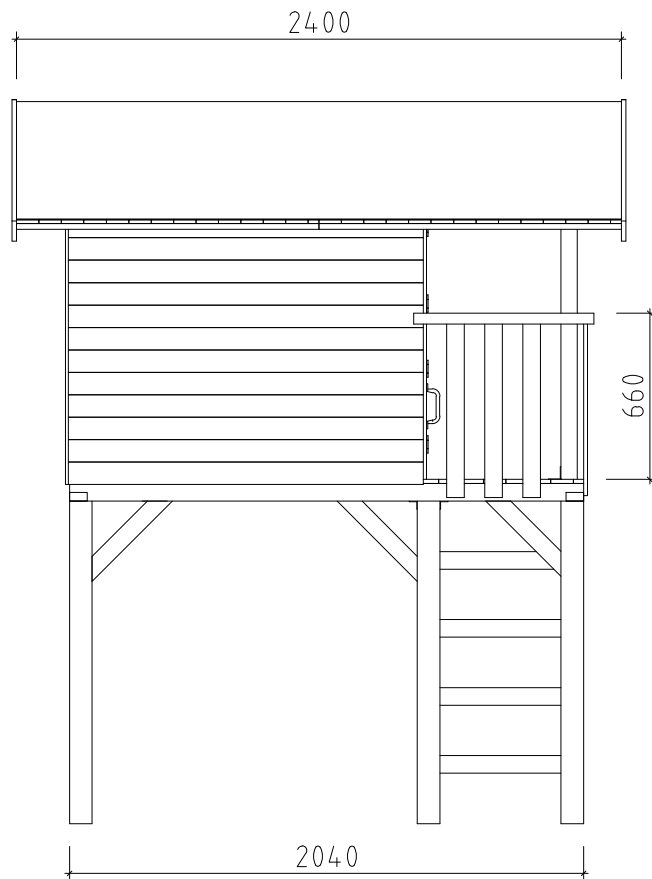
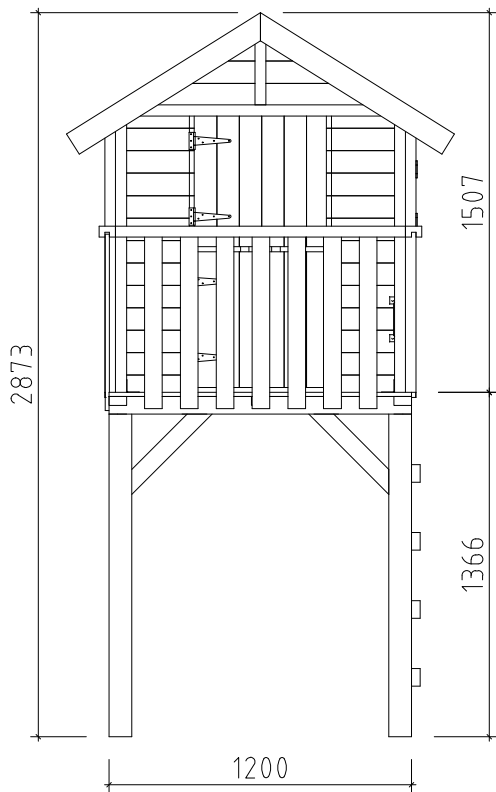
- In order to maintain the protective function of the paint, the house and all windows and doors must be repainted after several years (frequency is specified in the paint supplier instructions).
- In winter it is necessary to protect the roof of the garden house from excessive snow. If possible, avoid going on the roof while clearing snow.
- Check the roof for leaks and eliminate them as soon as you find them in order to protect the wooden parts of the house.
- Wood shrinks and expands during air moisture changes and therefore it is necessary to regularly check screw and bolt attachments and tighten when needed. We advise to check them twice a year.
- Check regularly the wooden parts and replace rotten or defective ones. Be extra attentive to barriers and ladders.
- Moving parts must be oiled regularly.
- We advise to inspect the house thoroughly once in a year.



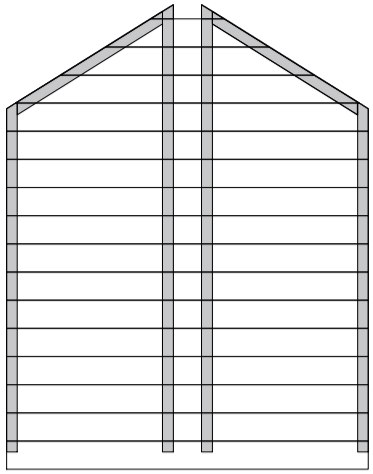
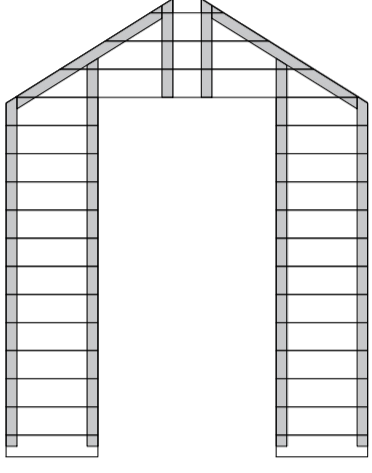
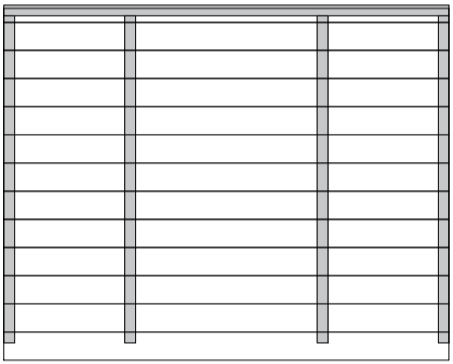
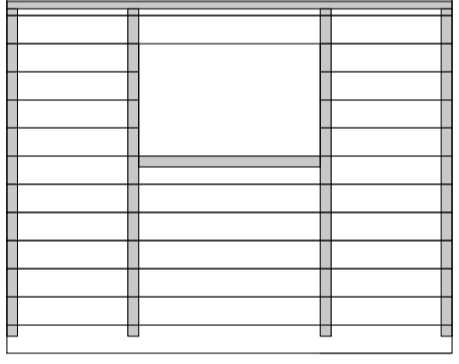
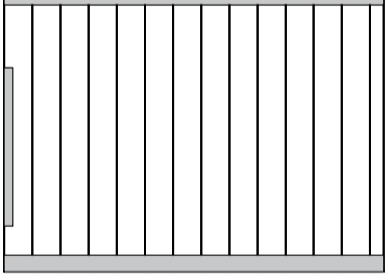
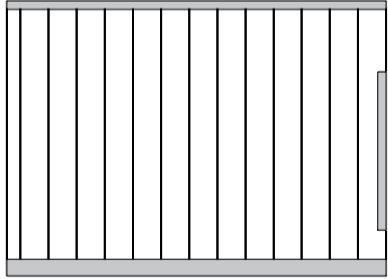
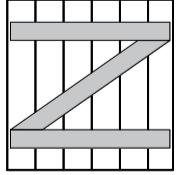
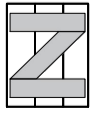
Name	VS16_0145 120x204_16		
Zeichnung/Drawing	3D		
Profil/Profile	1.6x8.9	Datum/Date	01.03.2024



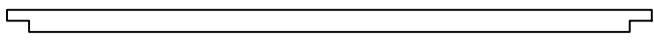
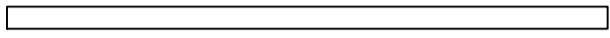
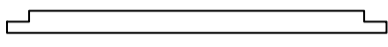
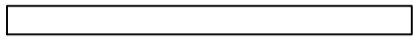
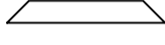



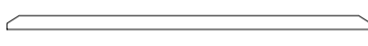

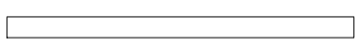
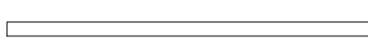
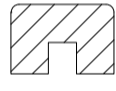

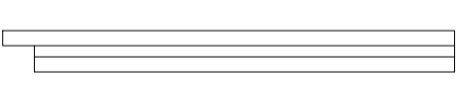
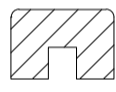


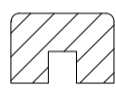
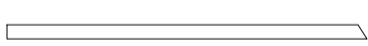

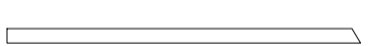




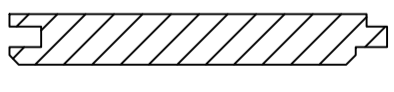
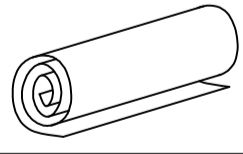

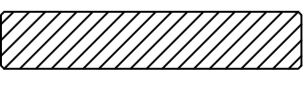

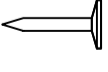
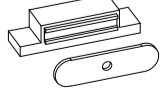
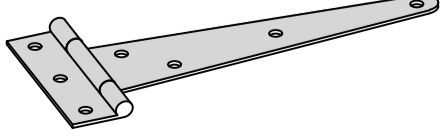
Name	VS16_0145 120x204_16		
Zeichnung/ Drawing	PLAN/PLAN	Kunde/ Client	
Profil/ Profile	1.6x8.9	Datum/ Date	01.03.2024

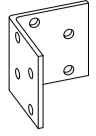

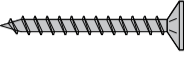
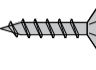
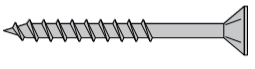
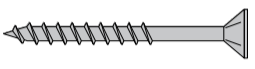
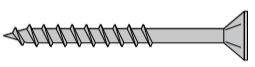
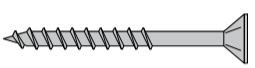
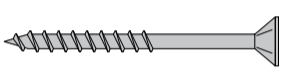
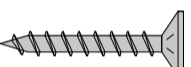

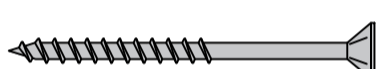
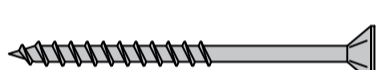

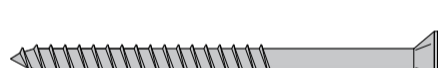
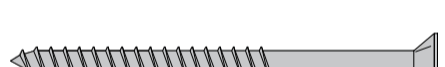






<b>Name</b>	VS16_0145 120x204_16		
<b>Zeichnung/ Drawing</b>	WAND/WALL	<b>Kunde/ Client</b>	
<b>Profil/ Profile</b>	1.6x8.9	<b>Datum/ Date</b>	01.03.2024

Pos	Teileliste/Specification VS16_0145 120x204_16	Stck Pcs.	Profil Profile (mm)	Länge Length (mm)
EL1		1	1144x1469	
EL2		1	1144x1469	
EL3		1	1408x1123	
EL4		1	1408x1123	
RF1		2	1200x870	
RF2		2	1200x870	
DR		2	524x539	
WD		2	257x326	

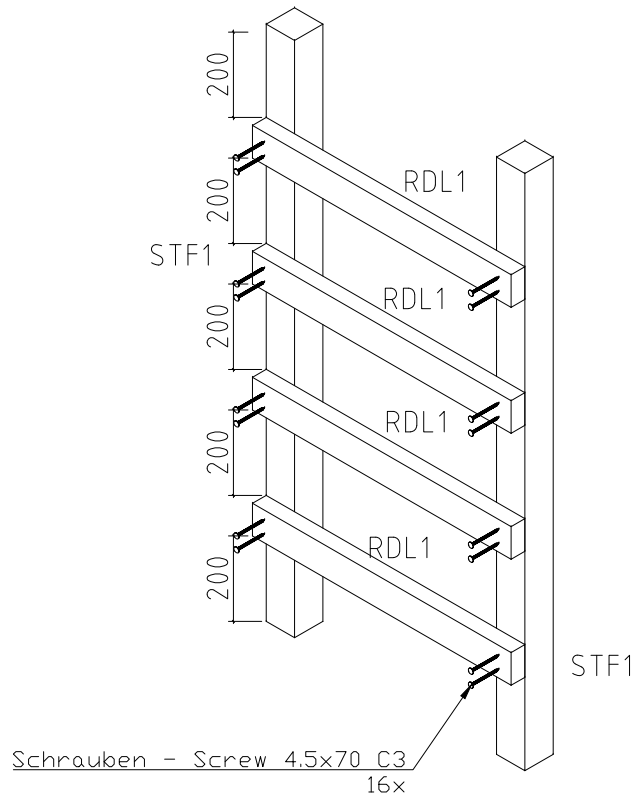


Pos	Teileliste/Specification VS16_0145 120x204_16		Stck Pcs.	Profil Profile (mm)	Länge Length (mm)	
	FUNDAMENTHÖLZER - FOUNDATION BEAMS					
FH2			2	70x70	2040	
	FUNDAMENTHÖLZER - FOUNDATION BEAMS					
FH3			1	70x70	1900	
	FUNDAMENTHÖLZER - FOUNDATION BEAMS					
FH1			2	70x70	1200	
	STÜTZPFOSTE - SUPPORT POST					
STF1			5	90x90	1280	
	STÜTZPFOSTE - SUPPORT POST					
STF2			8	70x70	500	
LT19			1	34x28	1144	
	LATTEN - STUDS					
LT20			2	34x28	290	
	LATTEN - STUDS					
LT15			2	34x28	1408	
	TRÄGEBALKE - SUPPORT BEAM					
TB3	32,0°  32,0°		1	44x65	1151	
	TRÄGEBALKE - SUPPORT BEAM					
TB2			1	44x65	266	
	TRÄGEBALKE - SUPPORT BEAM					
TB1			2	44x65	1097	
	LEISTE - LATH					
LE1			1	65x44	1151	
	LEISTE - LATH					
LE5a	 		1	65x44	715	
	LEISTE - LATH					
LE5b	 		1	65x44	715	
	LEISTE - LATH					
LE2	 32,0°		2	45x12	1139	
	LEISTE - LATH					
LE3	 32,0°		2	45x12	1119	
	LEISTE - LATH					
LE4			2	27x27	180	
	LEITER - LADDER					
RDL1			4	70x34	640	
	GELÄNDER - HANDRAIL					
GL1			10	70x16	700	
	FUSSBODENBRETTER - FLOOR BOARDS			19+1	113x16	1200
KP-1	DACHPAPPE - ROOFING FELT			2.4m-2st	5.0 lfm/rm	
GB01-1	GIEBELBRETTER - GABLE BOARDS 16x95	32,0° 		4	16x95	910
NG01	DACHPAPPNÄGEL - ROOFING NAILS 2.8x15		36			
MG01	MAGNET - MAGNET		4			
H02	T-SCHARNIER - T-HINGE 150mm KZN		8			
Kood	VS16_0145 120x204_16		Materjal		Leht 2/3	

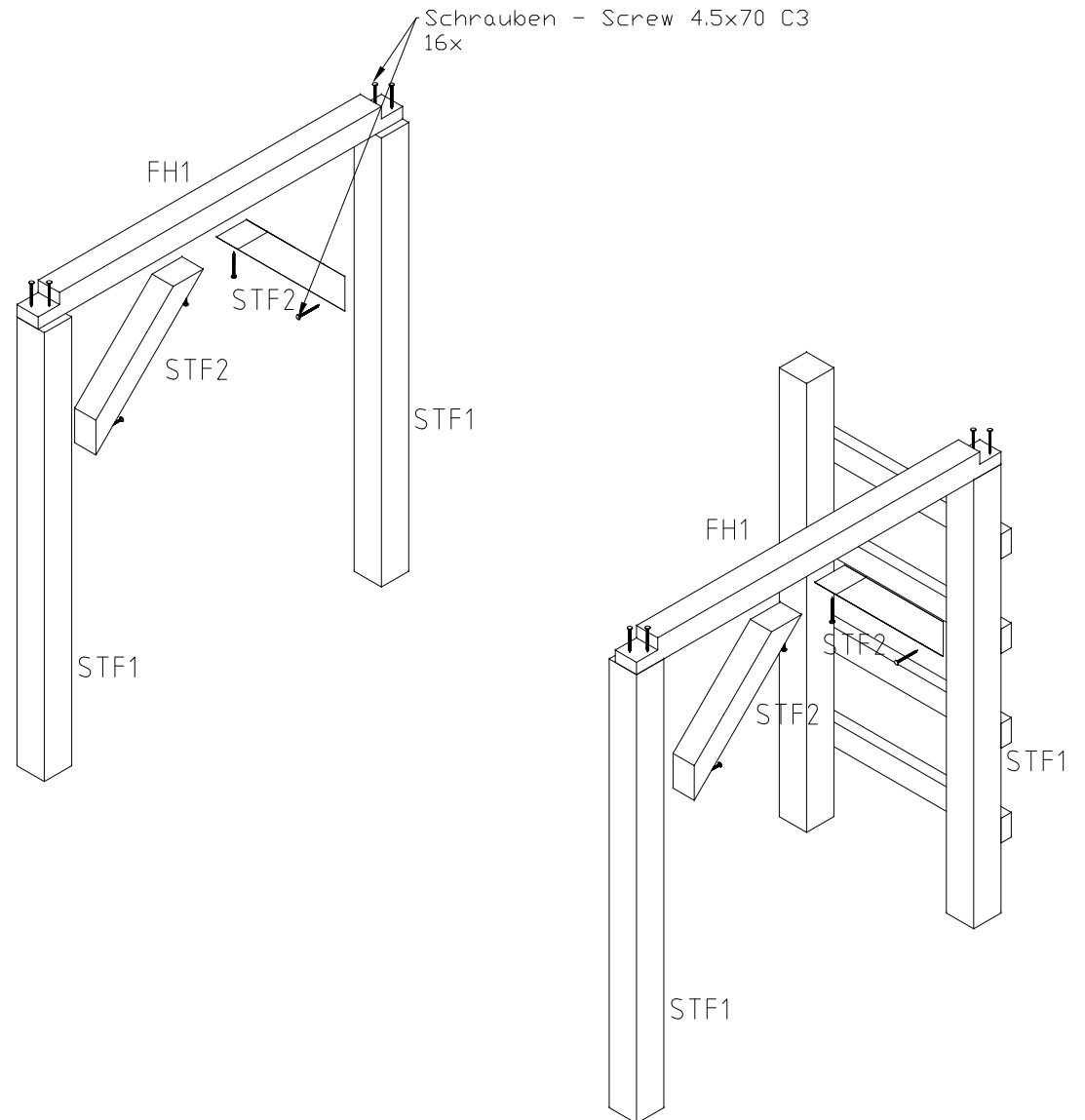
Pos	Teileliste/Specification VS16_0145 120x204_16		Stck Pcs.	Profil Profile (mm)	Länge Length (mm)
W01	Winkel - Angle bracket 40x40x40		6		
KPMV	Handgriff - Handle__Colorful - Bunt		1		
SR3 032	Schrauben - Screws 3.0x30 C3 Magnet - Magnet		8		
SR2 918	Schrauben - Screws 2.9x16 C3 Magnet - Magnet		4		
SR3 542	Schrauben - Screws 3.5x40 C3 LE4		4		
SR3 542	Schrauben - Screws 3.5x40 C3 LE2, LE3		12		
SR3 542	Schrauben - Screws 3.5x40 C3 RF1+RF2		8		
SR3 542	Schrauben - Screws 3.5x40 C3 Giebelbretter - Gable board		12		
SR3 547	Schrauben - Screws 3.5x45 C3 Winkel - Angle bracket		48		
SR4 032	Schrauben - Screws 4.0x30 C3 T-Scharnier - T-Hinge		48		
SR4 062	Schrauben - Screws 4.0x60 C3 LT15, LT19, LT20		16		
SR4 062	Schrauben - Screws 4.0x60 C3 Montage der Wandelemente / Assembly of wall elements		32		
SR4 062	Schrauben - Screws 4.0x60 C3 Geländer - Handrail GL1		40		
SR4 062	Schrauben - Screws 4.0x60 C3 LE5		4		
SR4 572	Schrauben - Screws 4.5x70 C3 Leiter - Ladder RDL1		16		
SR4 572	Schrauben - Screws 4.5x70 C3 Stützpfeiler - Support post Fundamenthölzer - Foundation beams		28		
SR4 572	Schrauben - Screws 4.5x70 C3 RF		14		
SR5 0102	Schrauben - Screws 5.0x100 C3 Trägebalken - Support beam		12		
SR5 0102	Schrauben - Screws 5.0x100 C3 LE1, LE5		8		
NG2 350	Vierkantnagel feuerverzinkt - Galvanized square nail 2.3x50 Fussbodenbretter - Floor boards		114		
	✓ - Bitte selber anpassen (falls nötig)! / Cut into length on site (if needed)!				
Kood	VS16_0145 120x204_16	Materjal		Leht	3/3

# Aufbau Anleitung für/Installation guide for "VS16\_0145 120x204\_16"

## 1. Leiter - Ladder

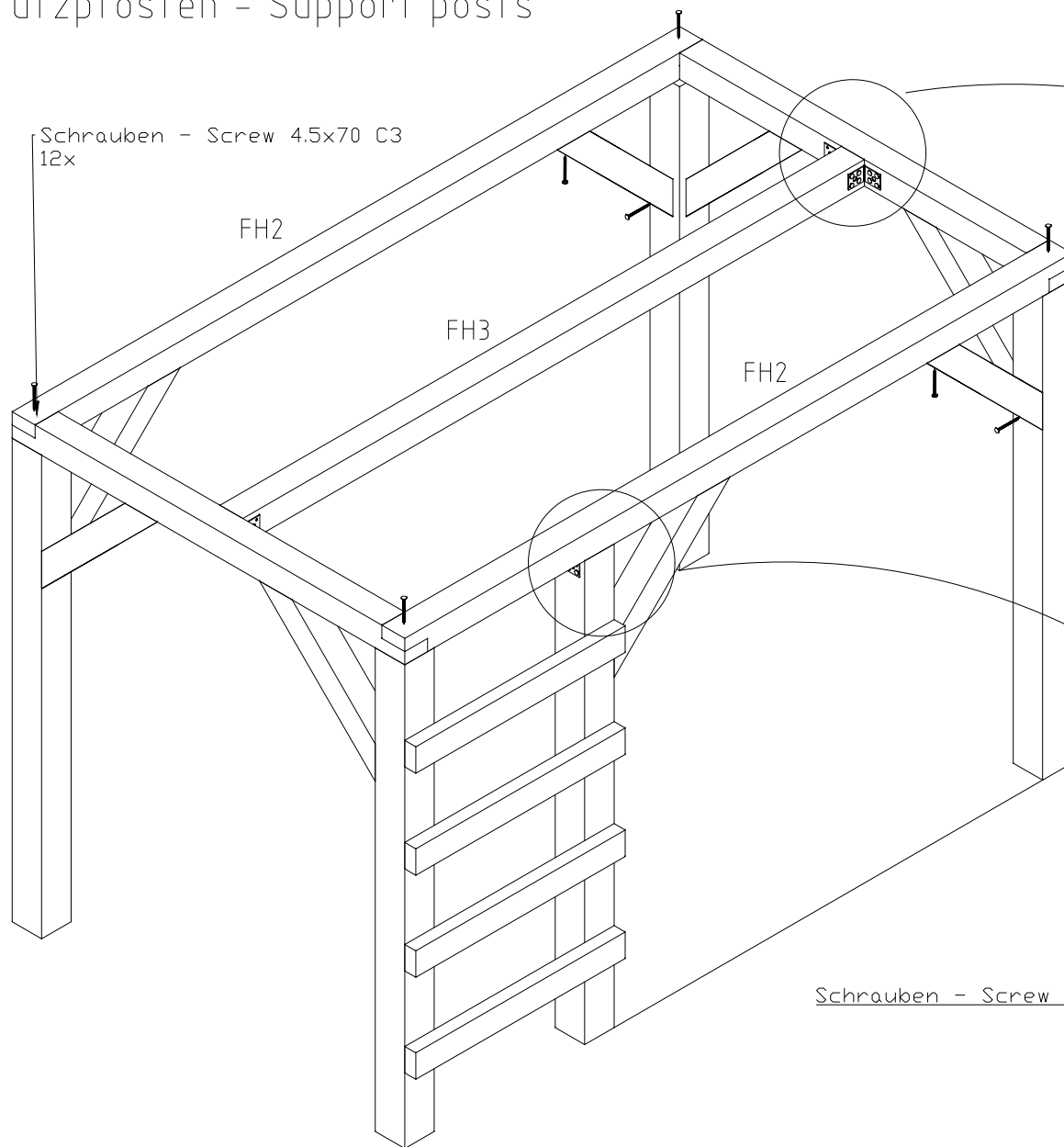


## 2.1 Stützpfeiler - Support posts



# Aufbau Anleitung für/Installation guide for "VS16\_0145 120x204\_16"

## 2.2 Stützpfeiler - Support posts

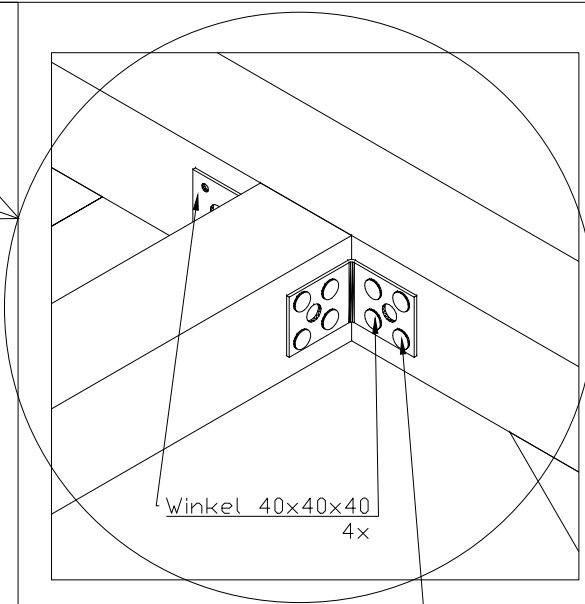


Schrauben - Screw 4,5x70 C3  
12x

FH2

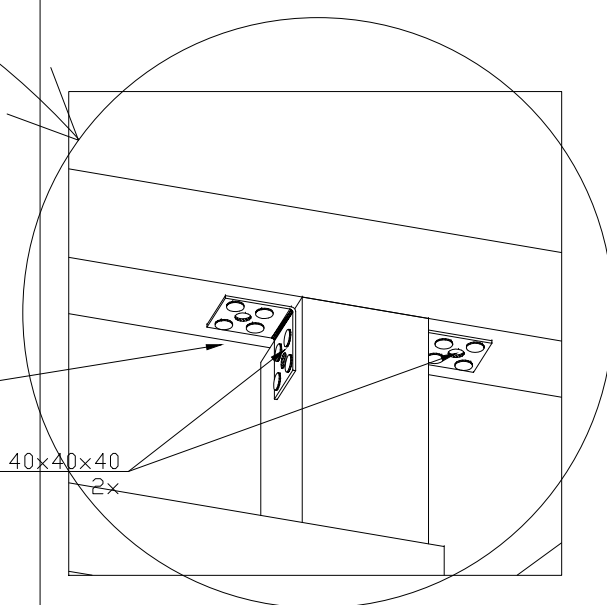
FH3

FH2



Winkel 40x40x40  
4x

Schrauben - Screw 3,5x45 C3  
32x

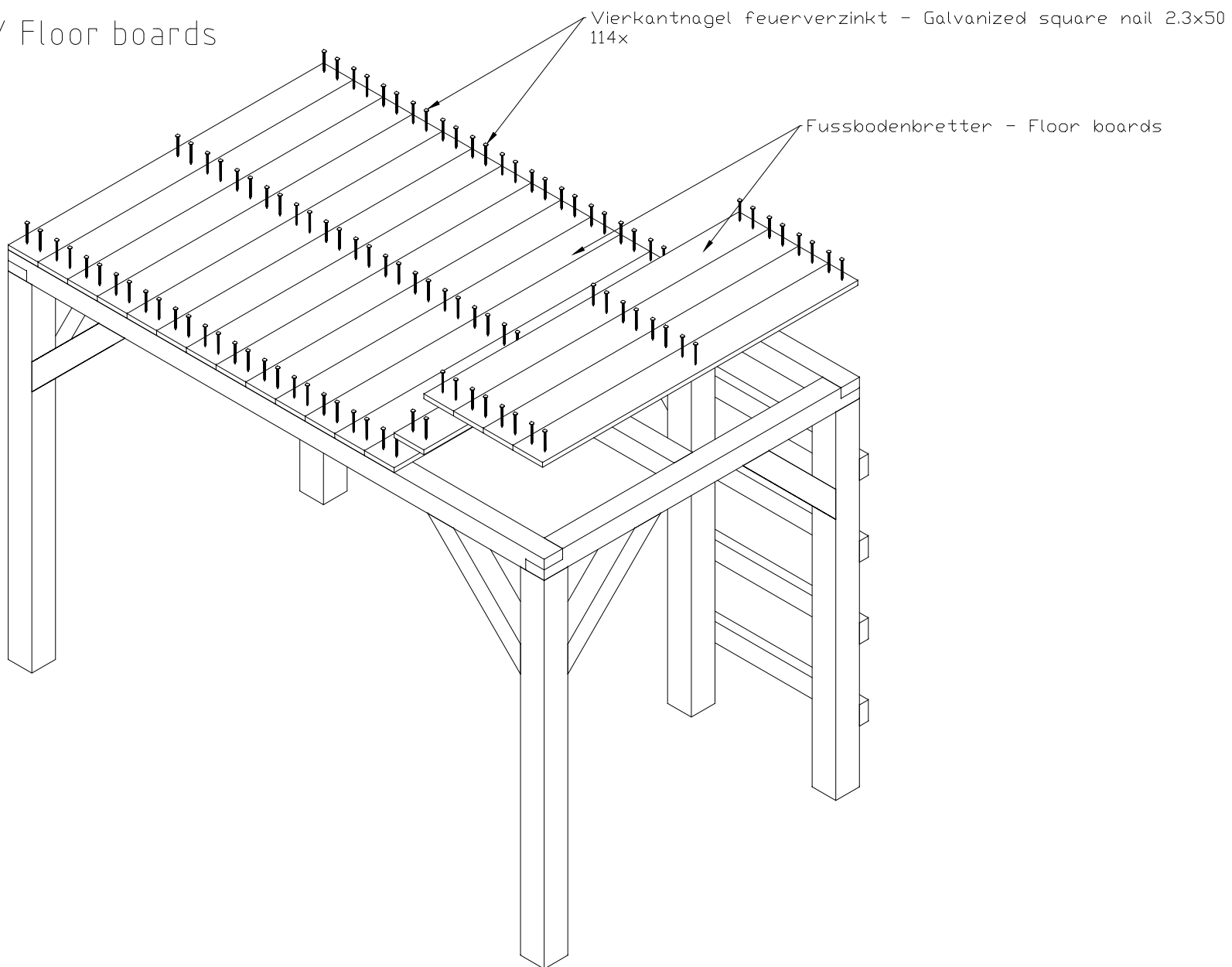


Schrauben - Screw 3,5x45 C3  
16x

Winkel 40x40x40  
2x

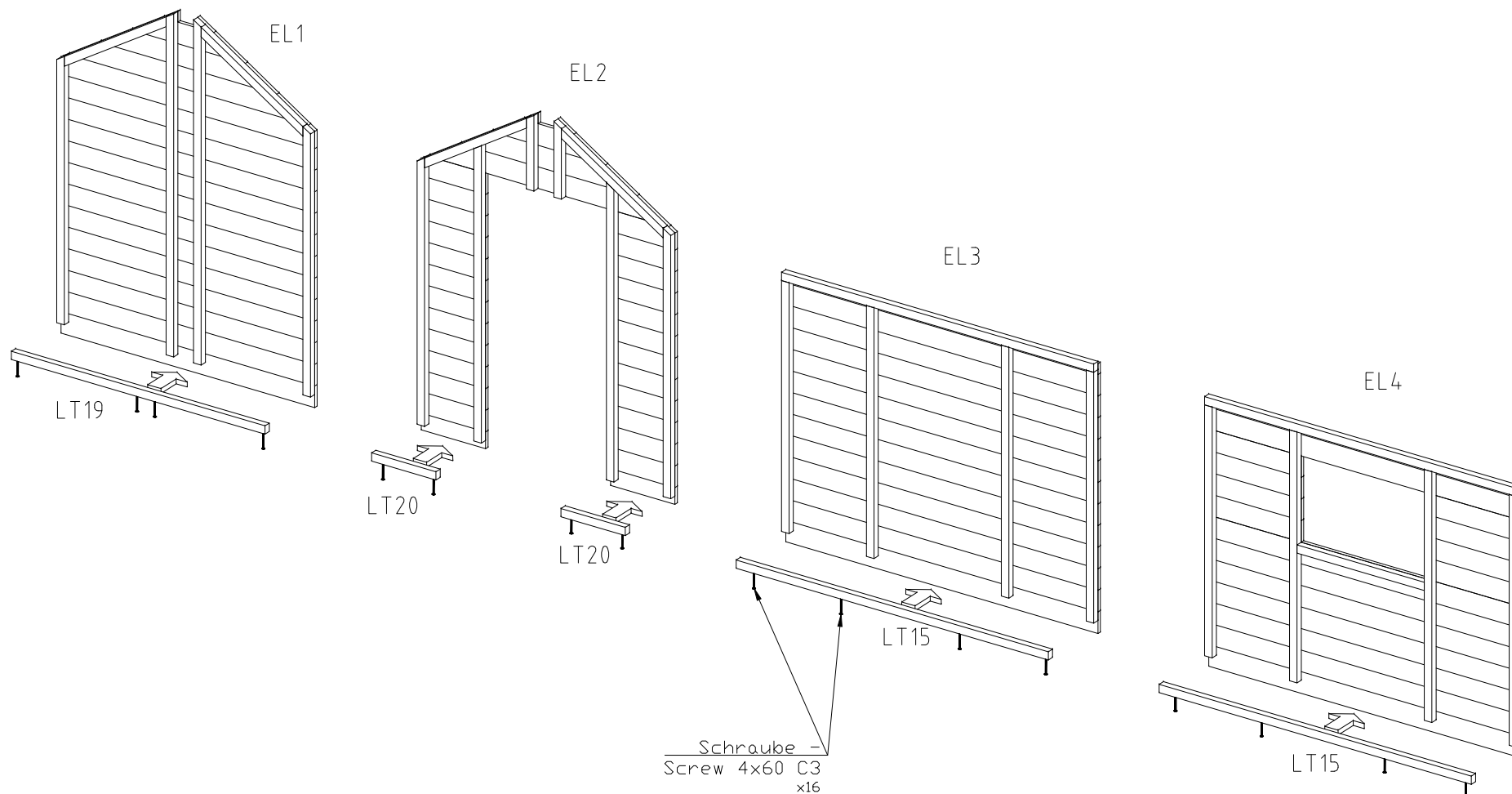
# Aufbau Anleitung für/Installation guide for "VS16\_0145 120x204\_16"

## 3. Fussboden / Floor boards



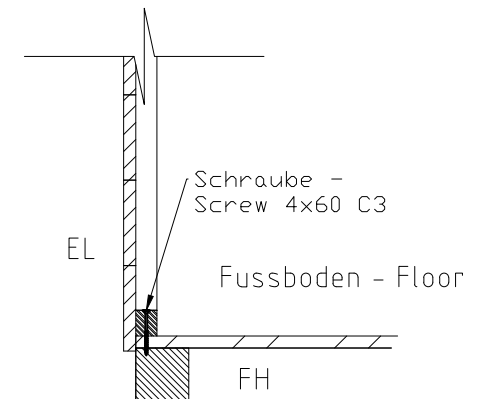
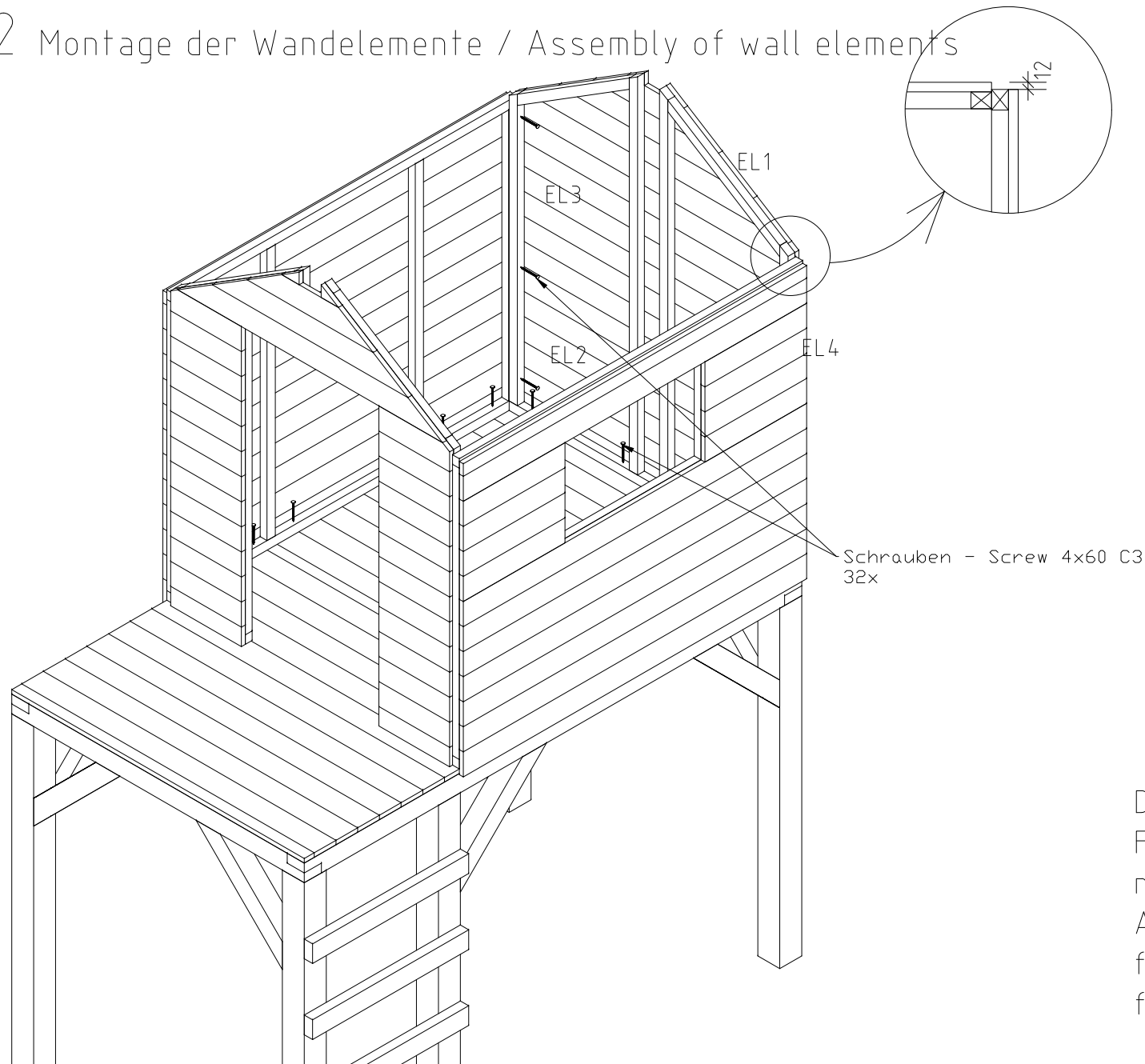
# Aufbau Anleitung für/Installation guide for "VS16\_0145 120x204\_16"

## 4.1 Montage der Wandelemente / Assembly of wall elements



# Aufbau Anleitung für/Installation guide for "VS16\_0145 120x204\_16"

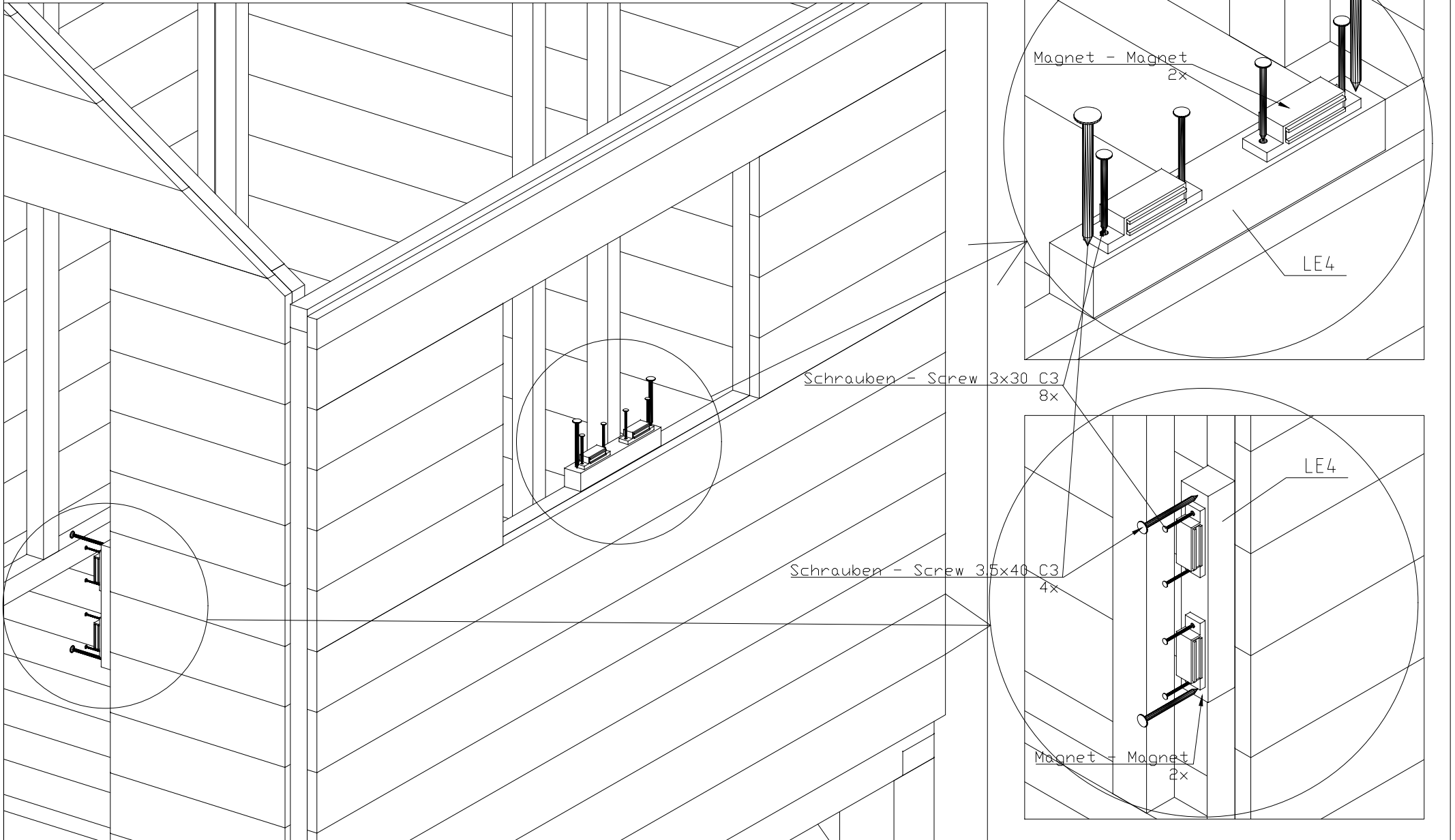
## 4.2 Montage der Wandelemente / Assembly of wall elements



Das Wandelement an den Fundamentholz befestigen, nicht nur an den Fussbodenbrett! / Attach the wall elements to the foundation beams not only to the floorboards!

# Aufbau Anleitung für/Installation guide for "VS16\_0145 120x204\_16"

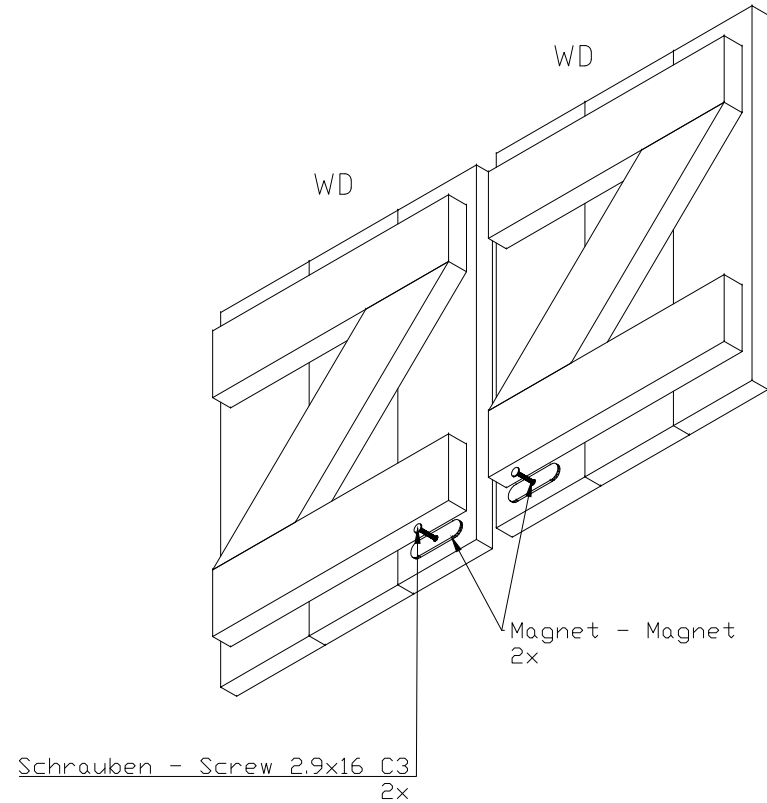
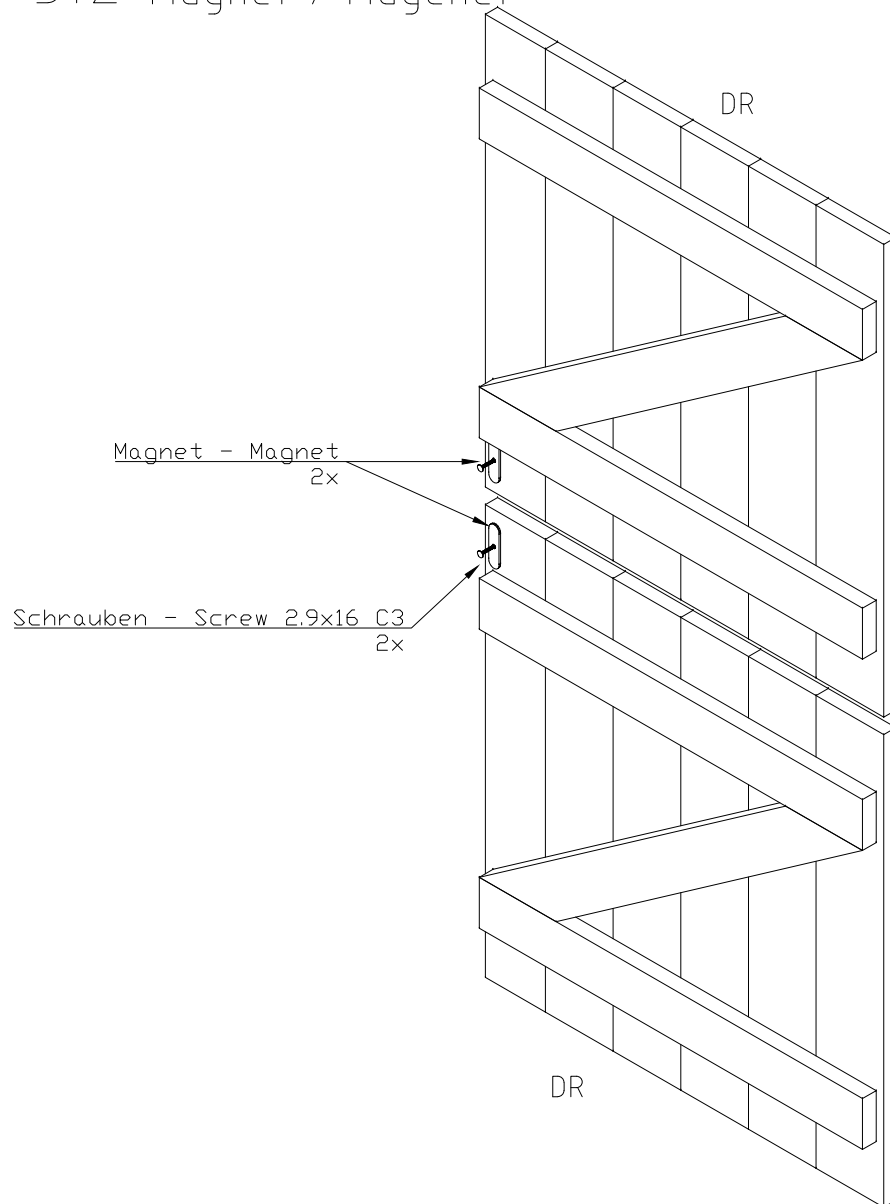
## 5.1 Magnet / Magenet





# Aufbau Anleitung für/Installation guide for "VS16\_0145 120x204\_16"

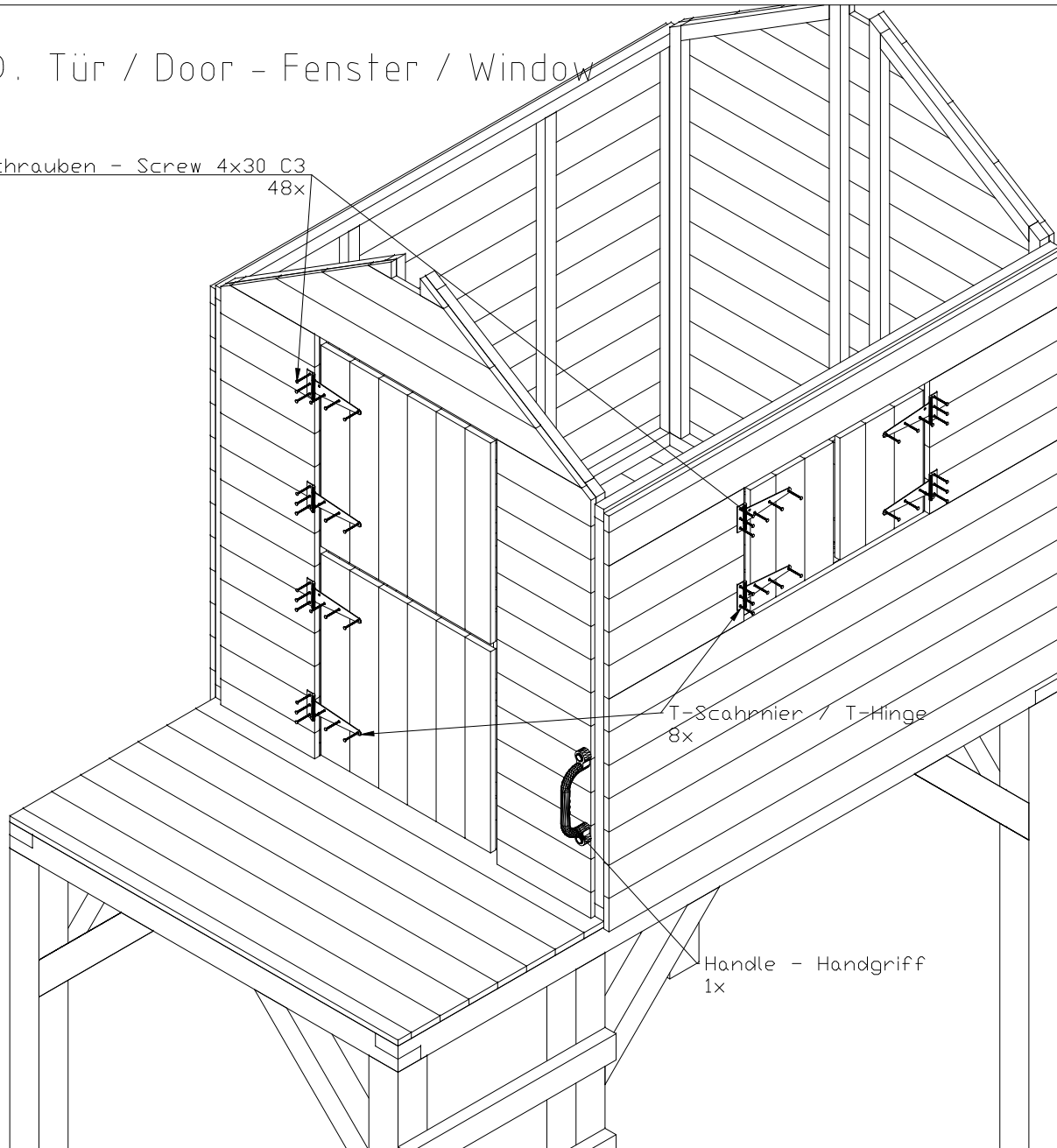
## 5.2 Magnet / Magenet



# Aufbau Anleitung für/Installation guide for "VS16\_0145 120x204\_16"

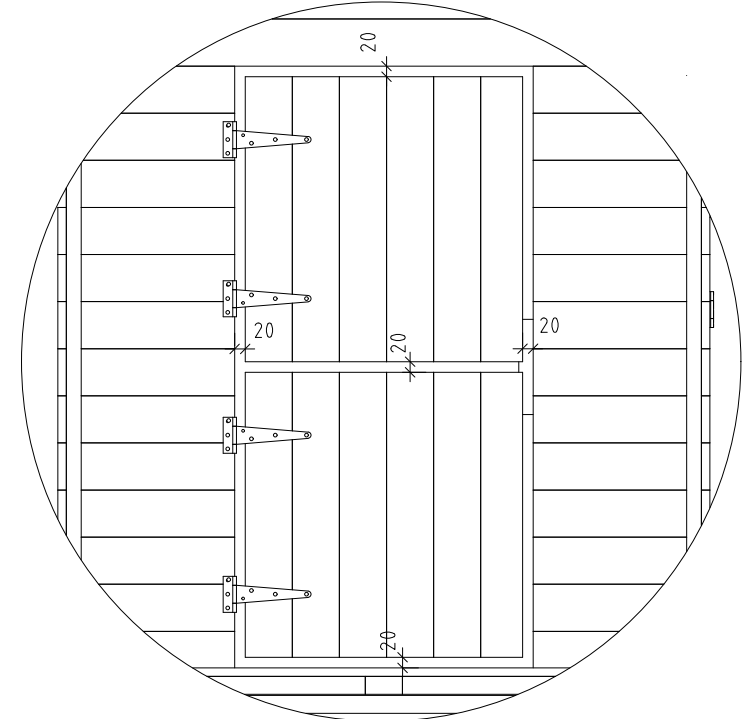
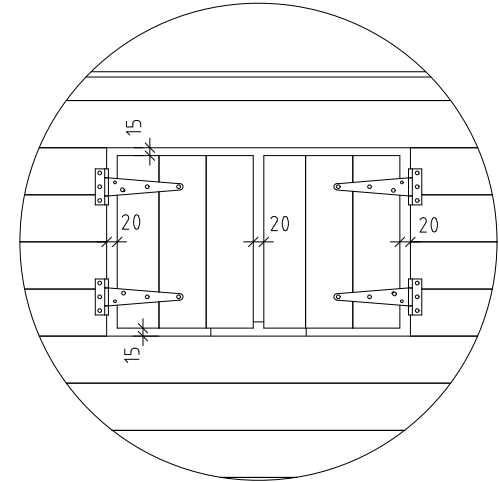
## 6. Tür / Door - Fenster / Window

Schrauben - Screw 4x30 C3  
48x



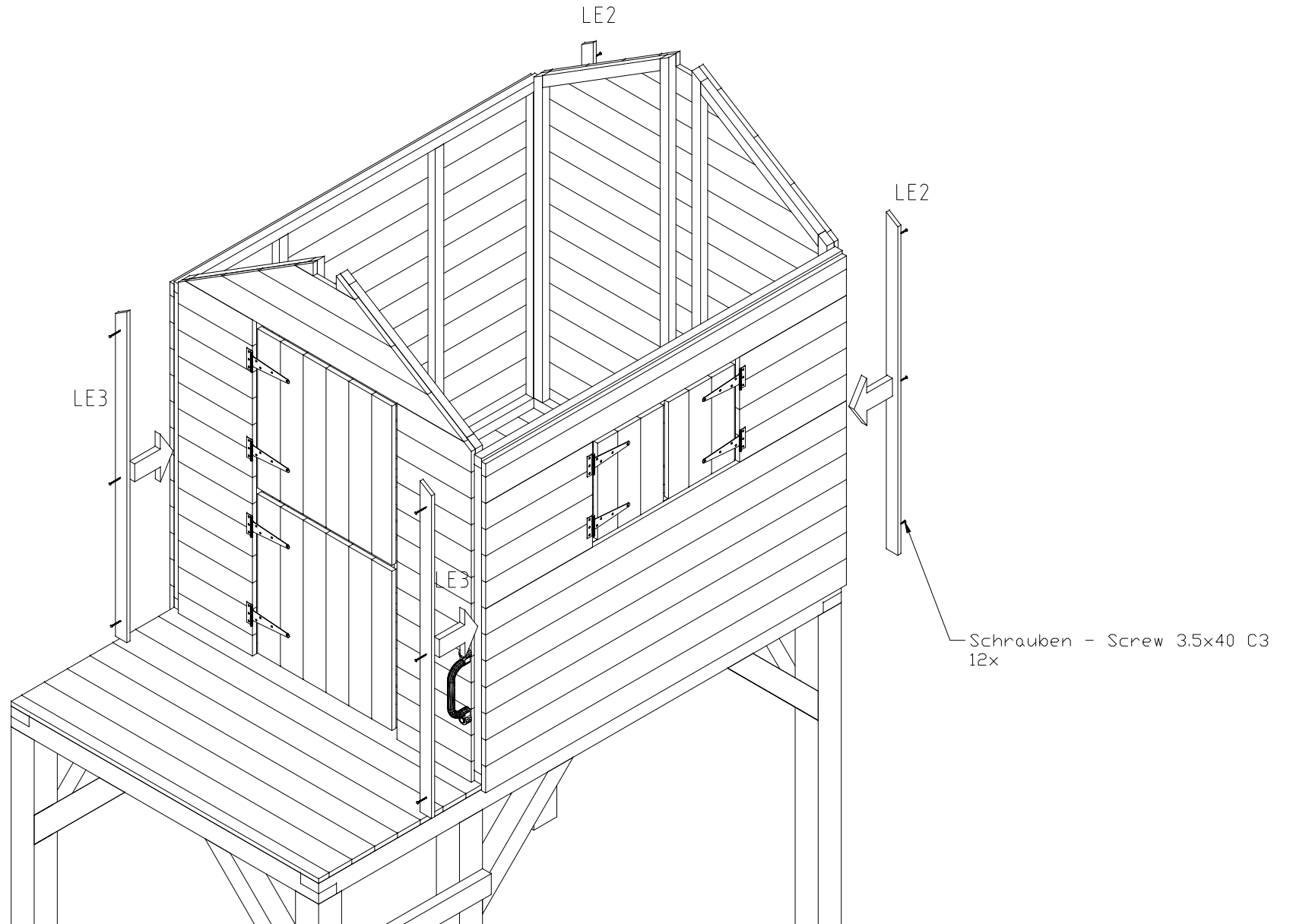
T-Scahnier / T-Hinge  
8x

Handle - Handgriff  
1x



# Aufbau Anleitung für/Installation guide for "VS16\_0145 120x204\_16"

## 7. Leiste / Lath



# Aufbau Anleitung für/Installation guide for "VS16\_0145 120x204\_16"

## 8. Trägebalken / Support beams

Schrauben - Screw 5x100 C3  
6x

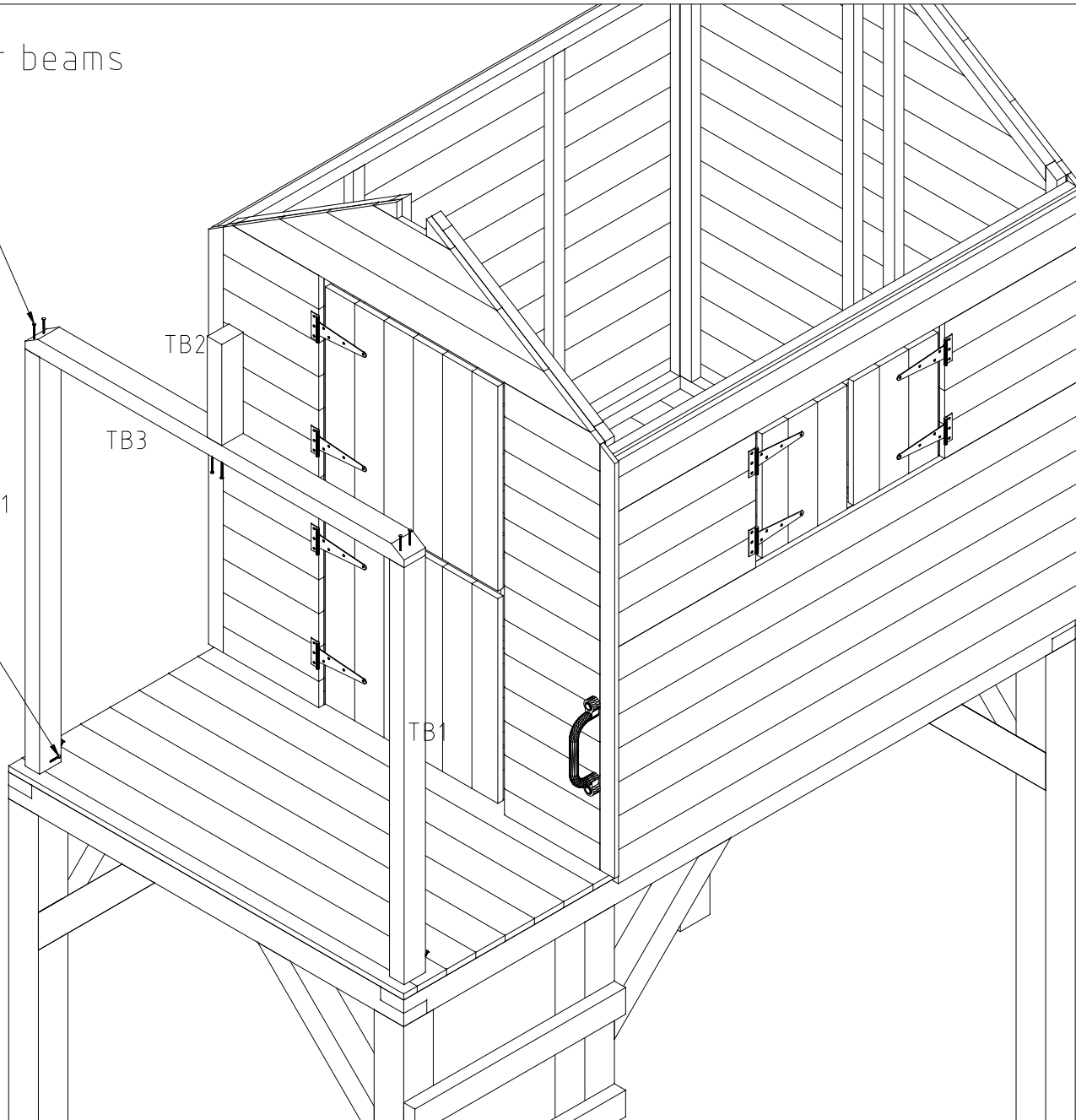
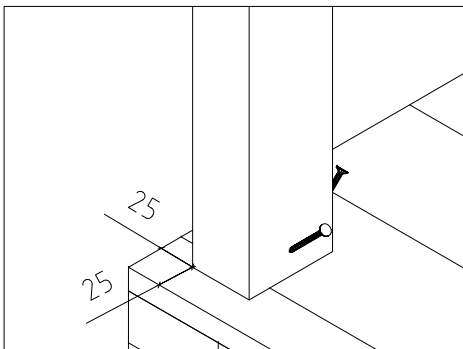
TB1

TB2

TB3

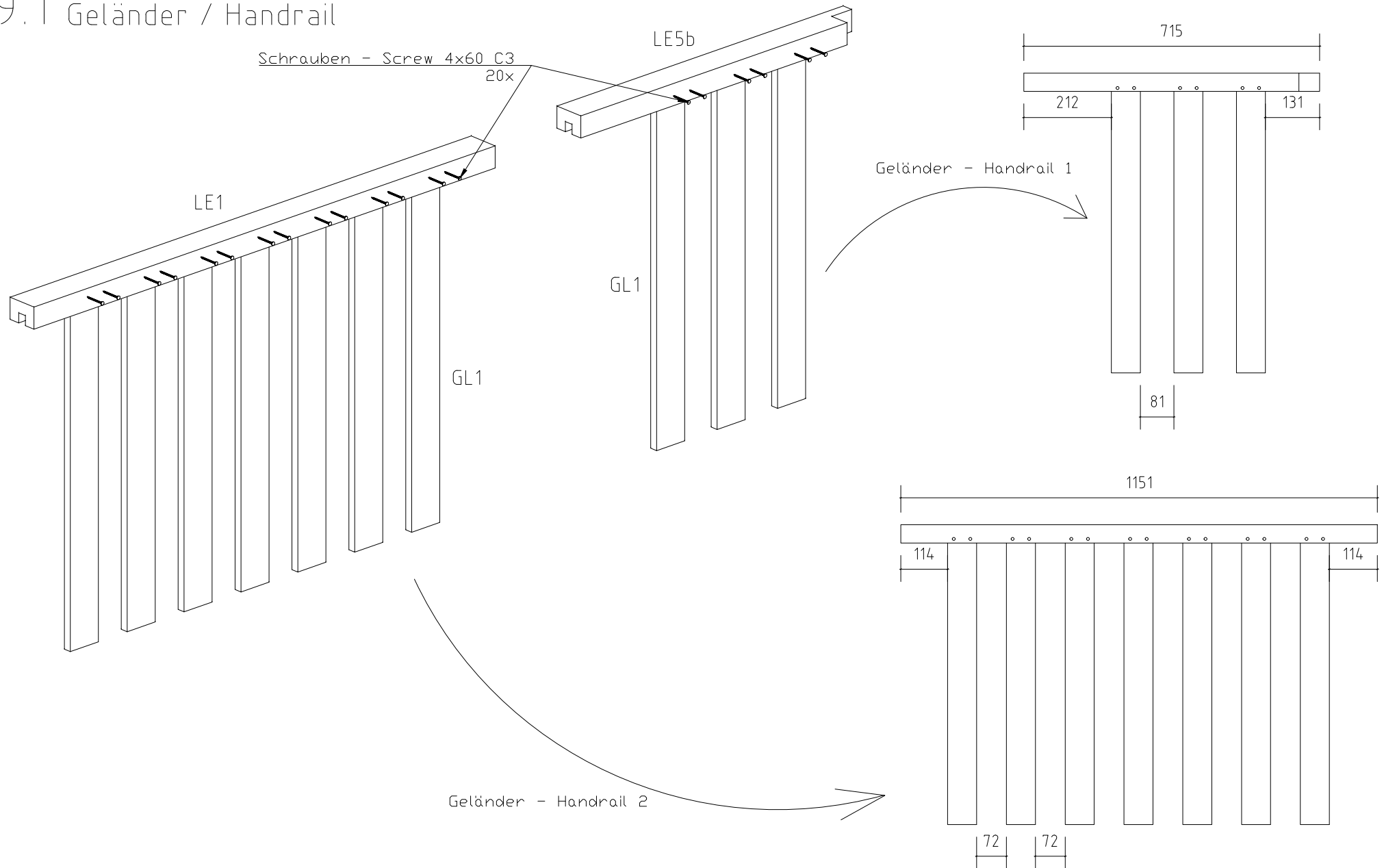
Schrauben - Screw 5x100 C3  
4x

TB1



# Aufbau Anleitung für/Installation guide for "VS16\_0145 120x204\_16"

## 9.1 Geländer / Handrail



# Aufbau Anleitung für/Installation guide for "VS16\_0145 120x204\_16"

## 9.2 Geländer / Handrail

Geländer - Handrail 1

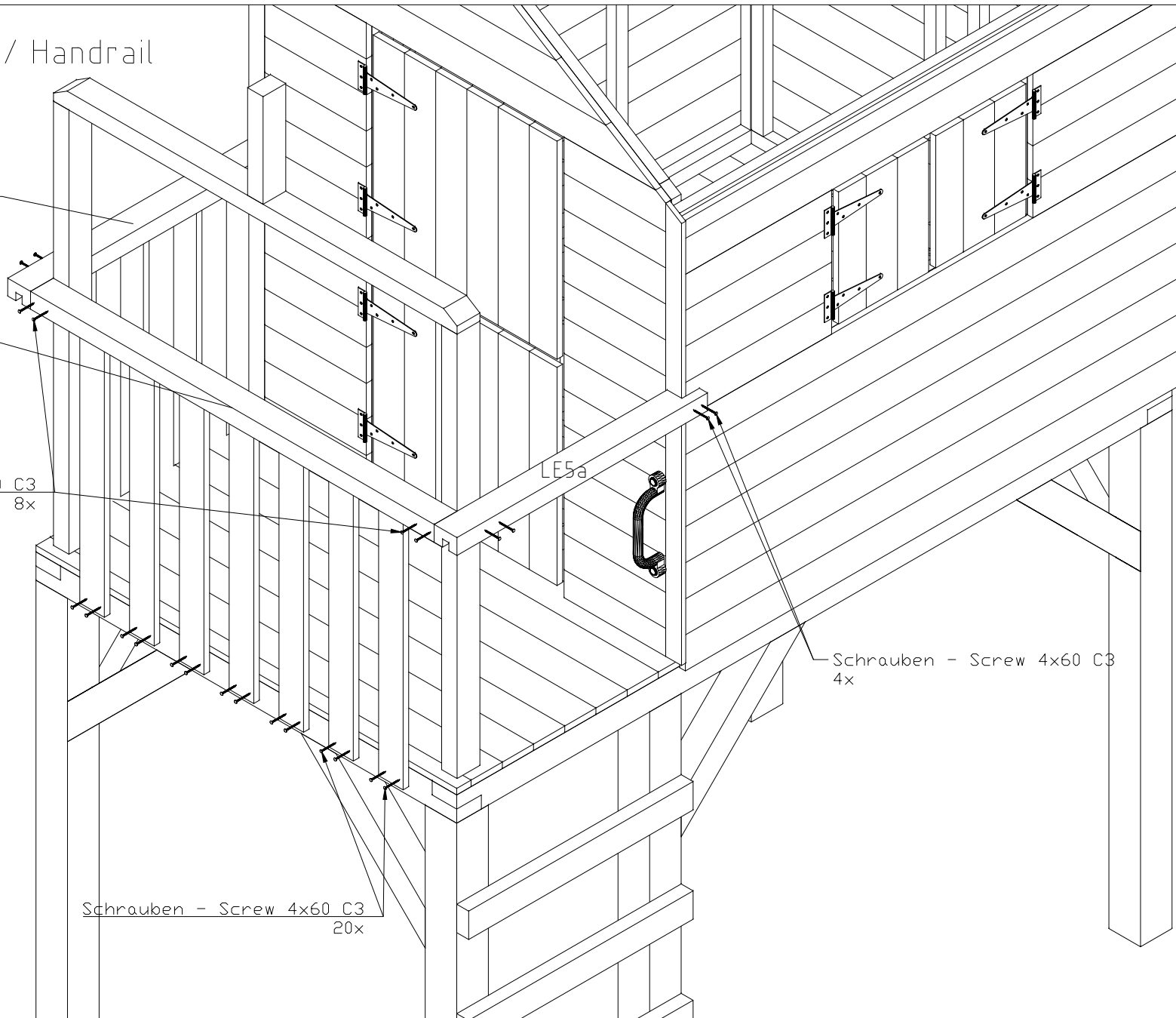
Geländer - Handrail 2

Schrauben - Screw 5x100 C3  
8x

LE5a

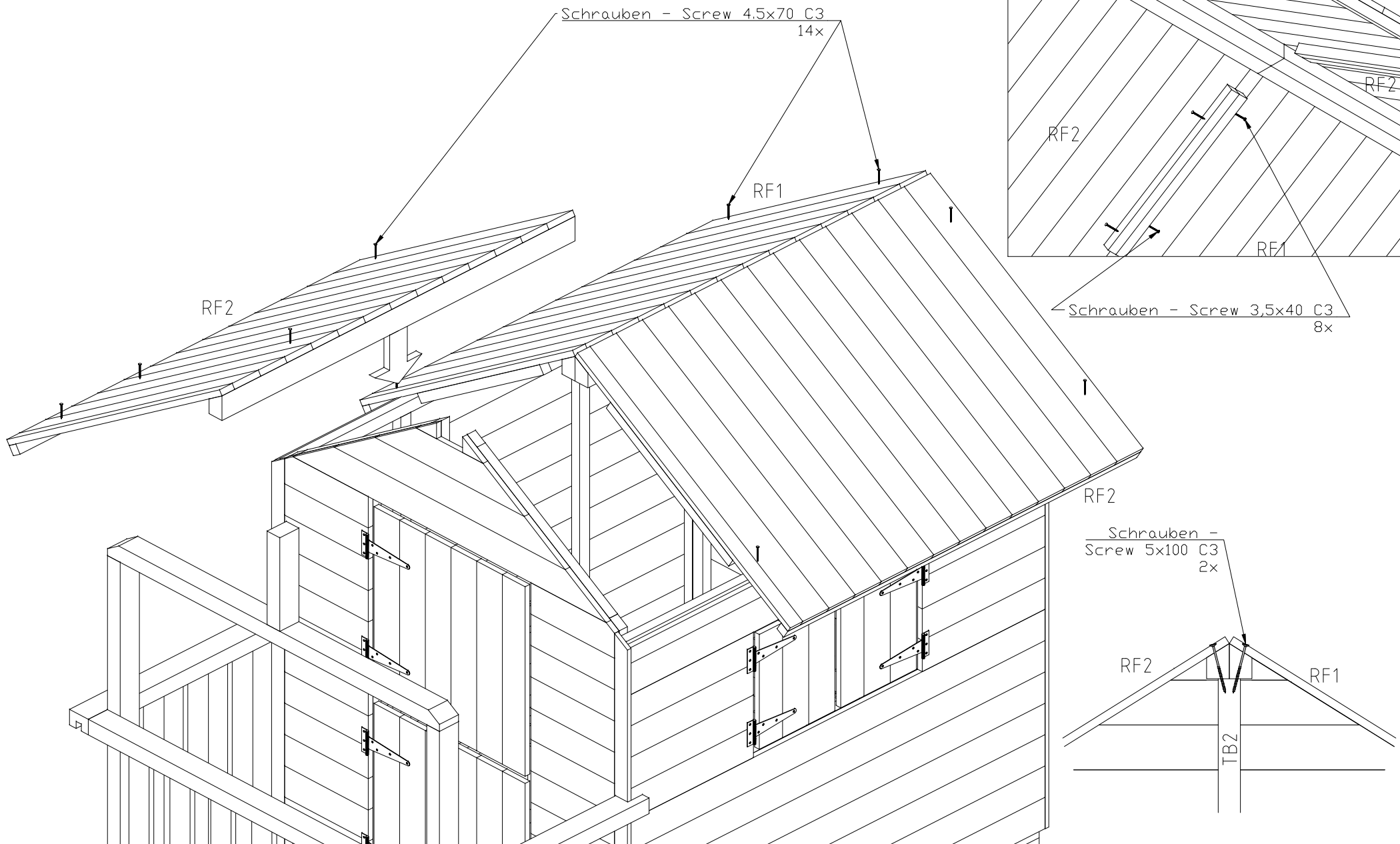
Schrauben - Screw 4x60 C3  
4x

Schrauben - Screw 4x60 C3  
20x



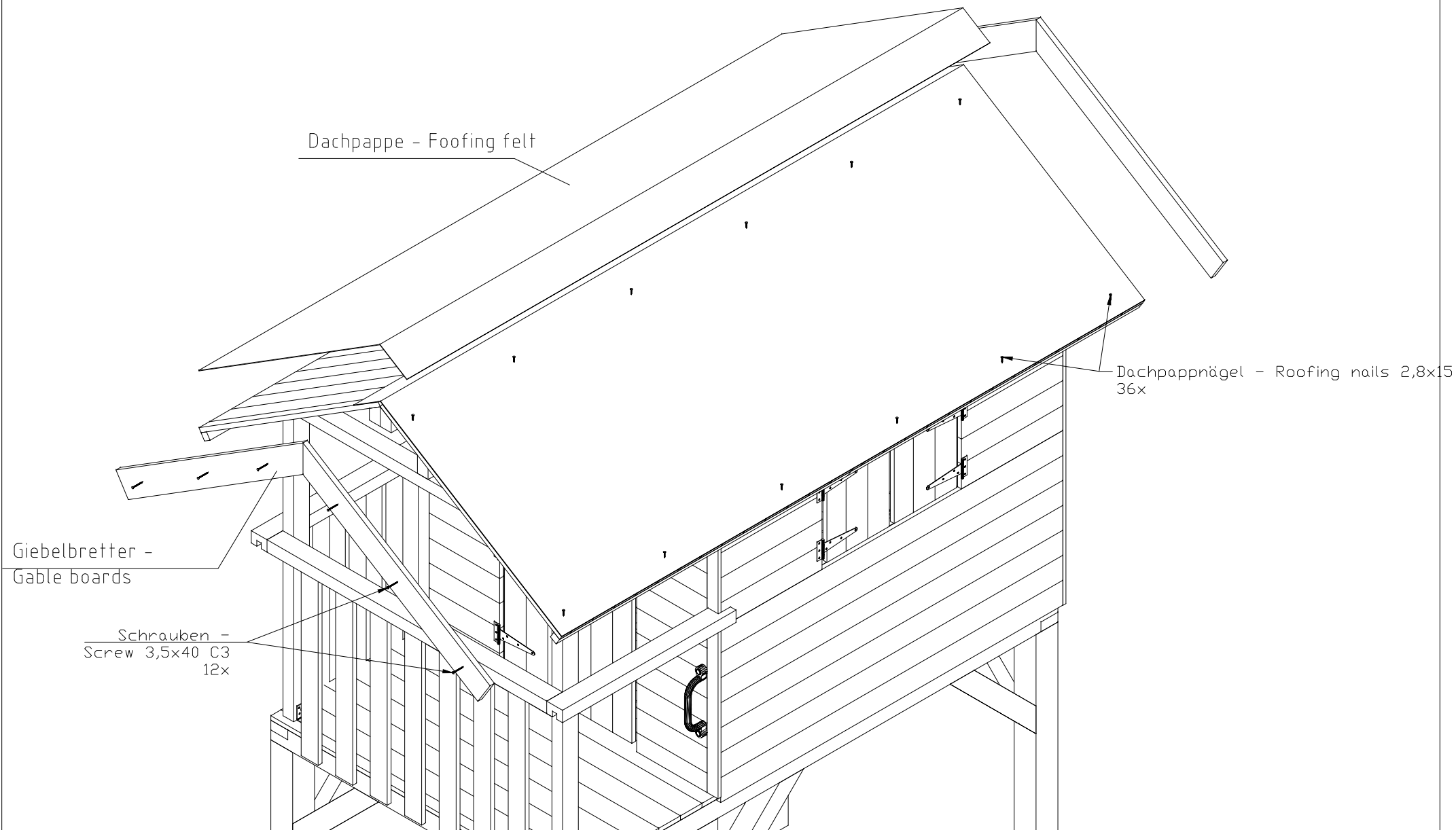
# Aufbau Anleitung für/Installation guide for "VS16\_0145 120x204\_16"

## 10.1 Dach / Roof



# Aufbau Anleitung für/Installation guide for "VS16\_0145 120x204\_16"

## 10.2 Dach / Roof





Aufbau Anleitung für/Installation guide for "VS16\_0145 120x204\_16"

Sichere Aufstellung, in Obenansicht!

Safe installation, aerial view!

