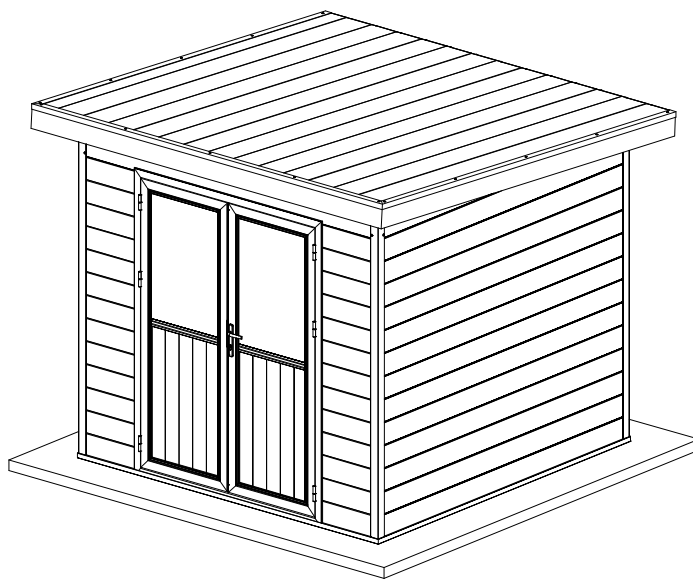
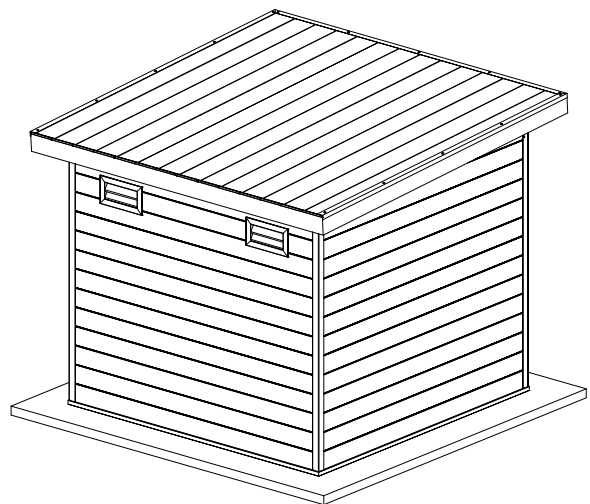
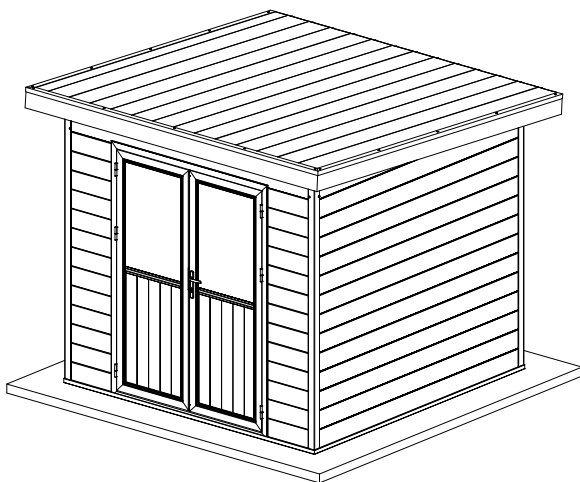
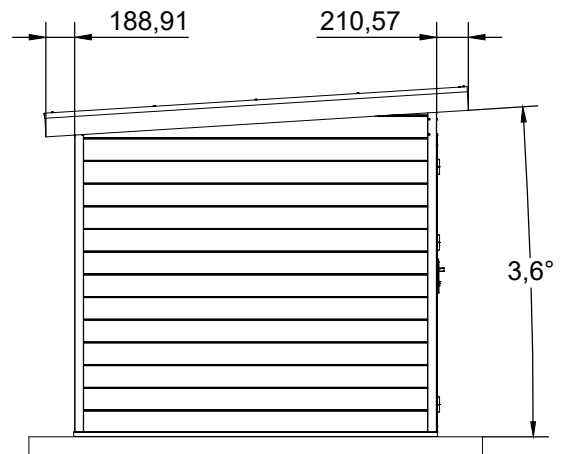
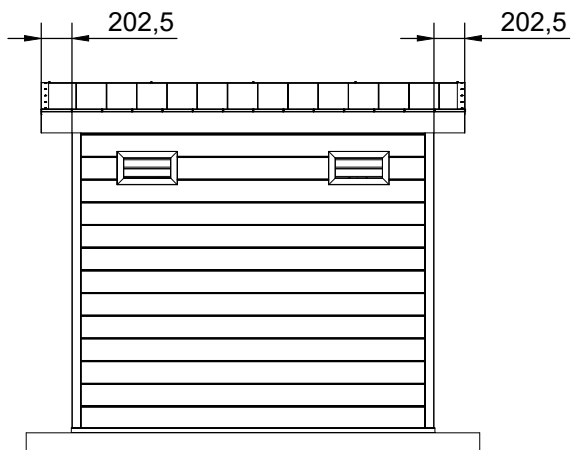
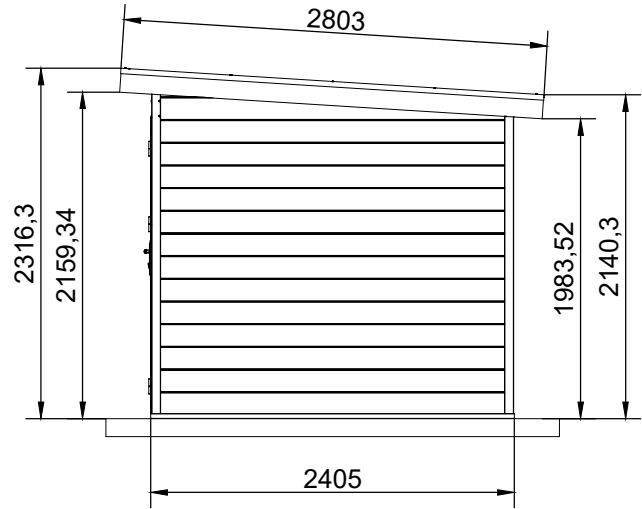
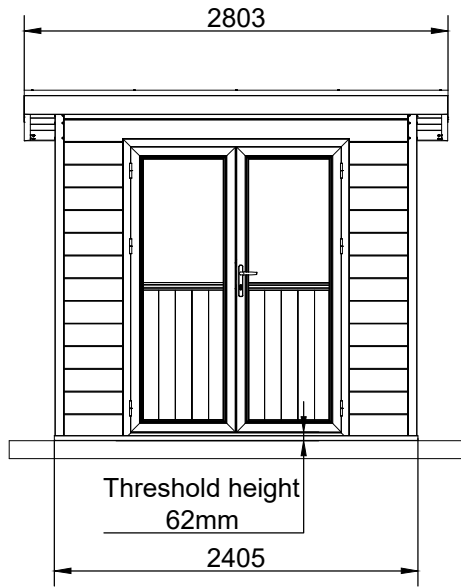


# **WPC GARDEN SHEDS INSTALLATION MANUAL FOR XF-H003**

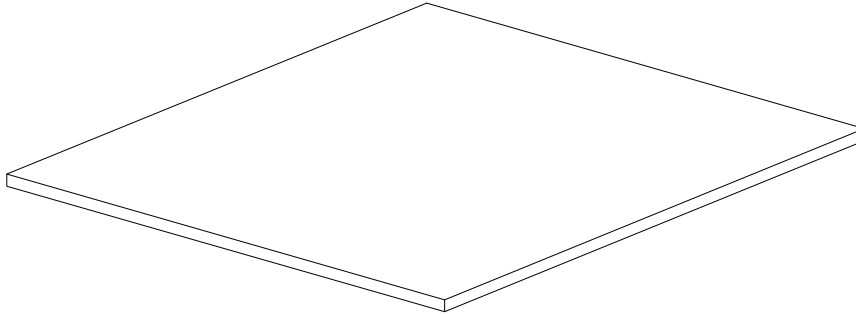


**APPEARANCE & SIZE :**

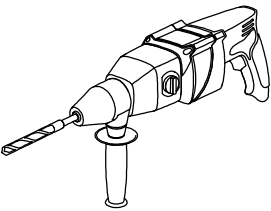
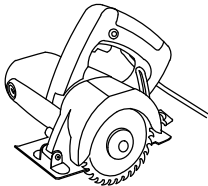
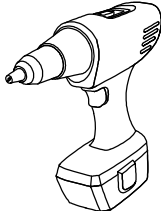
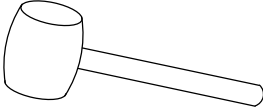
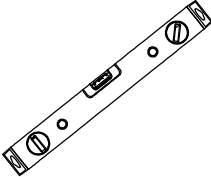
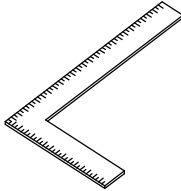
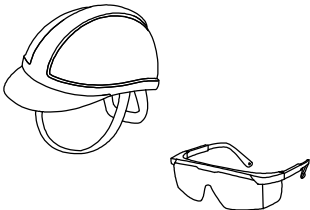
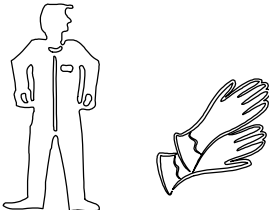
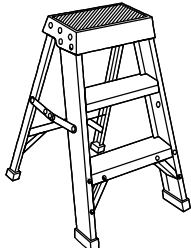


## Installation Requirement :

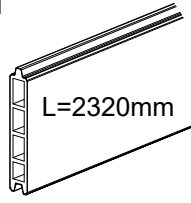
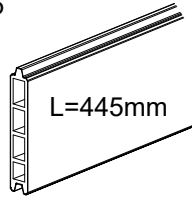
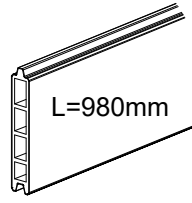
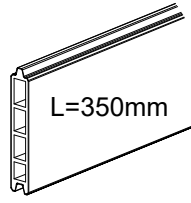
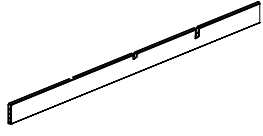
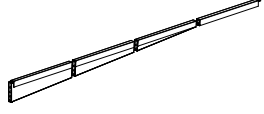
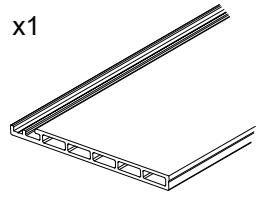
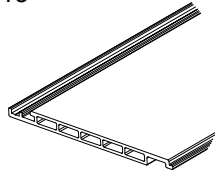
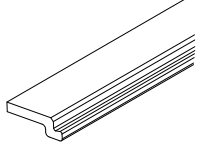
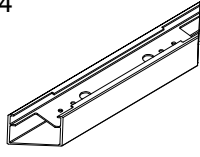
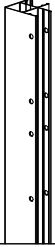
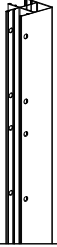


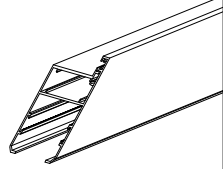
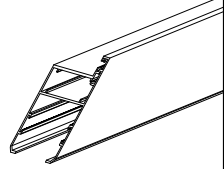
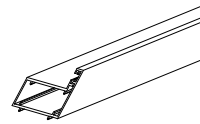

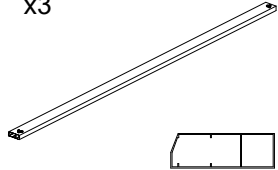
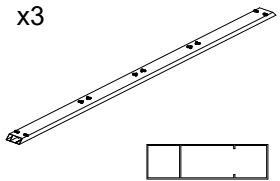
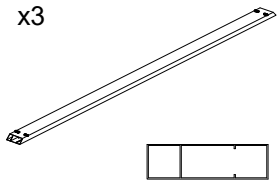
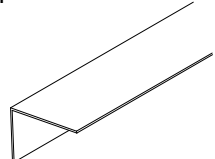
When do the assembling of a garden shed, a hard and flat ground without slope is needed. Please also make sure that the installation site has a good ventilation and drainage condition.



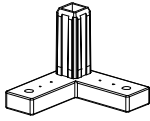
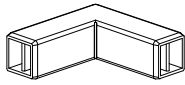
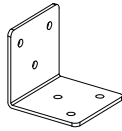
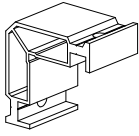

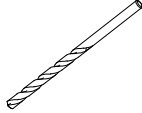
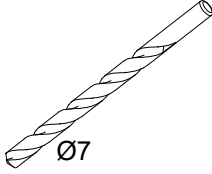
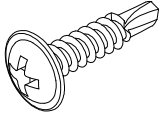
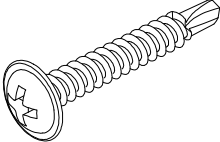
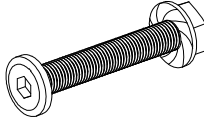


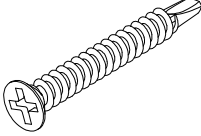
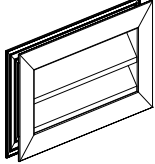
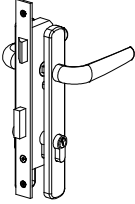
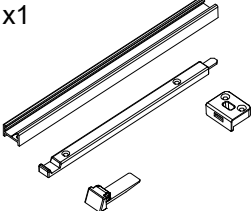
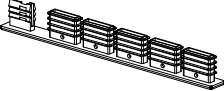
When dealing with any type of construction project, it is necessary to wear appropriate safety equipment to avoid any risk of injuries. We recommend but not only limited to the following safety equipment when handling, cutting, and installation : gloves, eye protector, respirator, long sleeves and pants.

<p>Impact electric drill</p> 	<p>Cutting machine</p> 	<p>Electric screwdriver</p> 
<p>Tape &amp; Hammer</p> 	<p>Levelling Instrument</p> 	<p>L-square</p> 
<p>Safety helmet &amp; Goggles</p> 	<p>Work clothes, gloves &amp; protective shoes</p> 	<p>Ladder</p> 

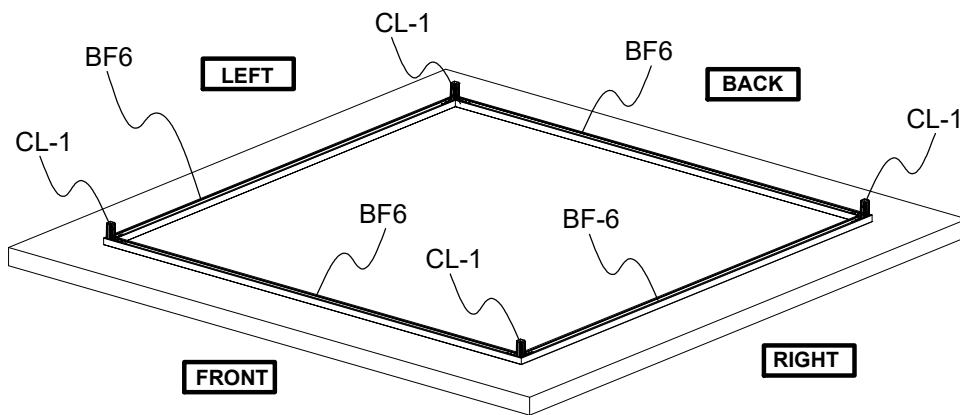
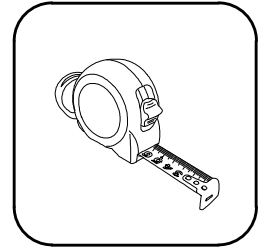
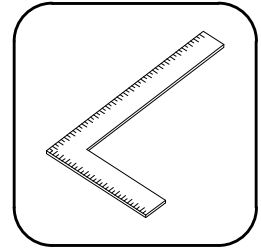
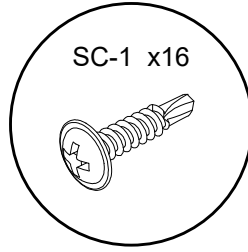
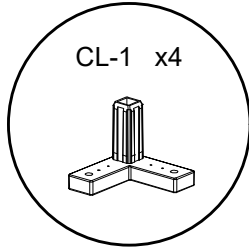
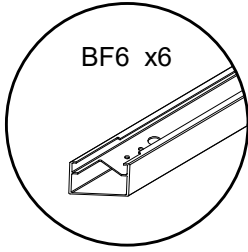
# List of components

<p><b>WP16</b></p> <p>x41</p>  <p>L=2320mm</p>	<p><b>WP17</b></p> <p>x26</p>  <p>L=445mm</p>	<p><b>WP18</b></p> <p>x1</p>  <p>L=980mm</p>	<p><b>WP9</b></p> <p>x2</p>  <p>L=350mm</p>
<p><b>WP19</b></p> <p>x2</p>  <p>L=2320mm</p>	<p><b>WP20</b></p> <p>x2</p>  <p>L=2320mm</p>	<p><b>TP7</b></p> <p>x1</p>  <p>L=2800mm</p>	<p><b>TP8</b></p> <p>x13</p>  <p>L=2800mm</p>
<p><b>TP9</b></p> <p>x1</p>  <p>L=2800mm</p>	<p><b>BF6</b></p> <p>x4</p>  <p>L=2405mm</p>		
<p><b>MF6</b></p> <p>x1</p> 	<p><b>MF7</b></p> <p>x1</p> 	<p><b>MF8</b></p> <p>x1</p> 	<p><b>MF9</b></p> <p>x1</p> 
<p><b>DF1</b></p> <p>x2</p>  <p>L=1965mm</p>	<p><b>DF2</b></p> <p>x1</p>  <p>L=1502mm</p>	<p><b>DF3</b></p> <p>x1</p>  <p>L=1502mm</p>	<p><b>DP-1</b></p> <p>x1</p> 
<p><b>TF13</b></p> <p>x3</p>  <p>L=2720mm</p>	<p><b>TF14</b></p> <p>x3</p>  <p>L=2800mm</p>	<p><b>TF15</b></p> <p>x3</p>  <p>L=2800mm</p>	<p><b>TF16</b></p> <p>x1</p> 

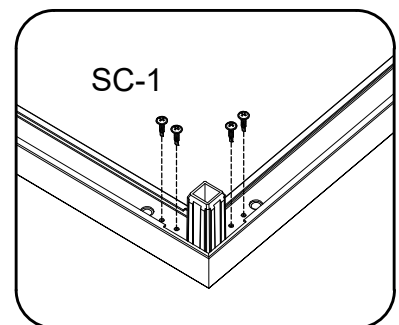
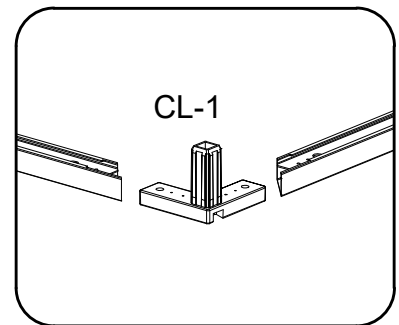
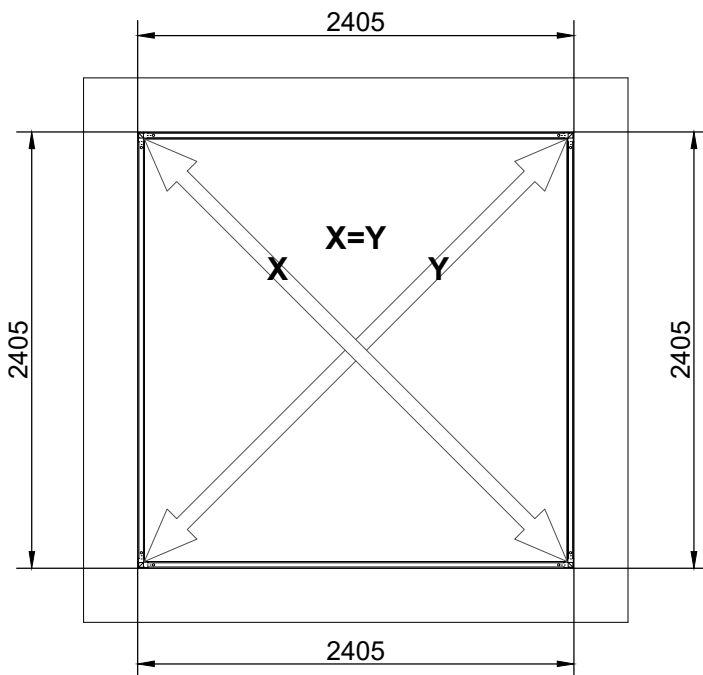
# List of components

<p><b>CL-1</b></p> <p>x4</p> 	<p><b>CL-3</b></p> <p>x8</p> 	<p><b>CL-4</b></p> <p>x24 + spare 2</p> 	<p><b>CL-8</b></p> <p>x4</p> 
<p><b>CL-9</b></p> <p>x4 + spare 2</p> 	<p><b>TOOL1</b></p> <p>x1</p>  <p>Ø2.8</p>	<p><b>TOOL2</b></p> <p>x1</p>  <p>Ø7</p>	
<p><b>SC-1</b></p> <p>x357 + spare 143</p>  <p>M4.2x20mm</p>	<p><b>SC-2</b></p> <p>x18 + spare 6</p>  <p>M4.2x30mm</p>	<p><b>SC-4</b></p> <p>x24 + spare 4</p>  <p>M6x40mm</p>	<p><b>SC-5</b></p> <p>x8 + spare 1</p>  <p>Ø8x80mm</p>
<p><b>SC-7</b></p> <p>x8 + spare 2</p>  <p>M6</p>	<p><b>SC-8</b></p> <p>x4 + spare 2</p>  <p>M4.2x30mm</p>		
<p><b>WD2</b></p> <p>x1</p> 	<p><b>SU-1</b></p> <p>x1</p>  <p>8530</p>	<p><b>SU-2</b></p> <p>x1</p> 	<p><b>Other Spare parts</b></p> <p>x2</p> 

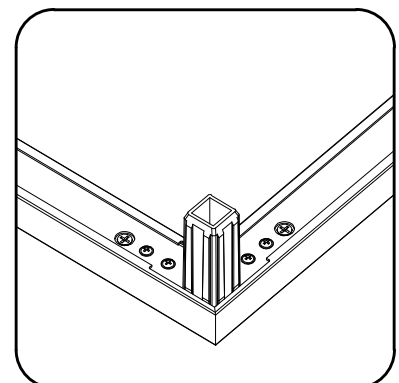
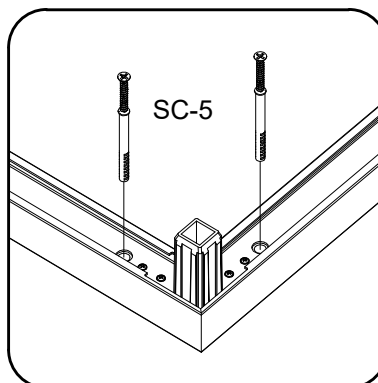
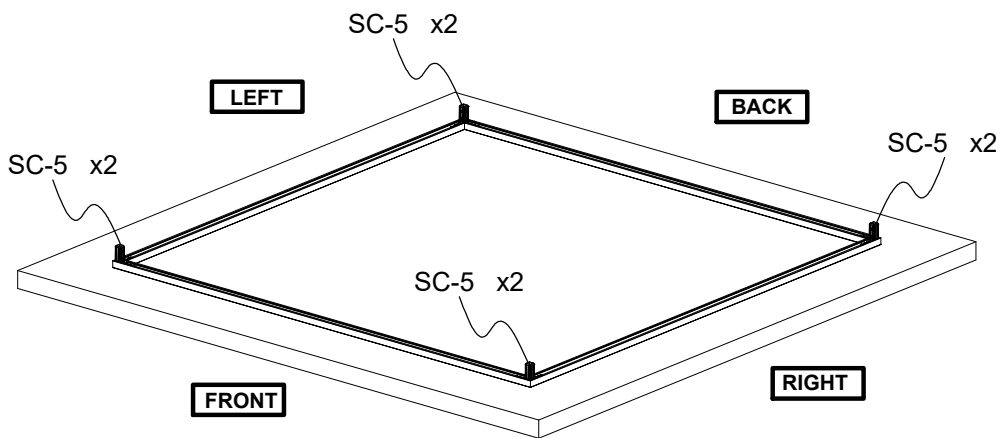
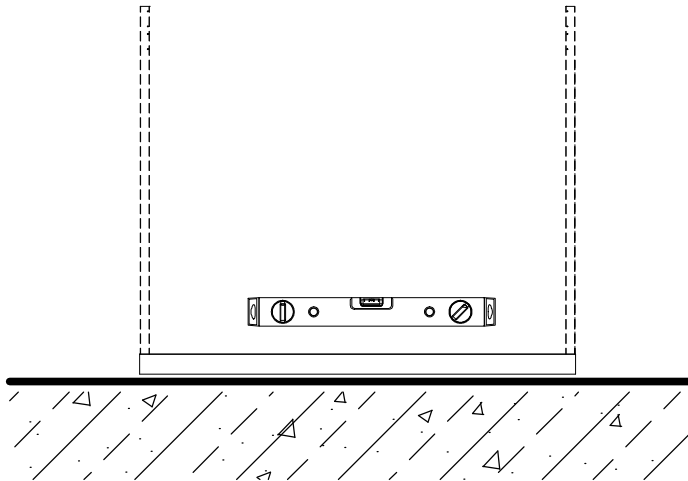
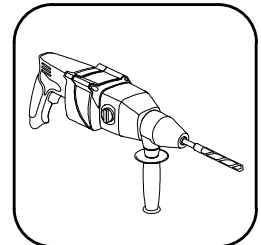
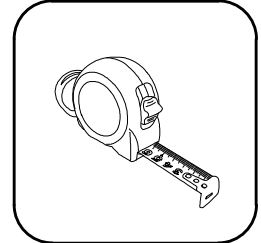
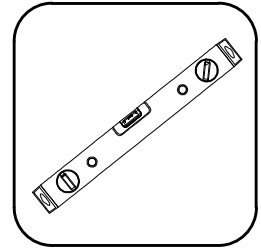
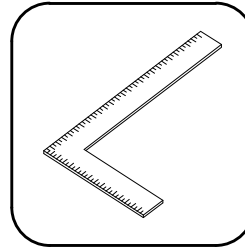
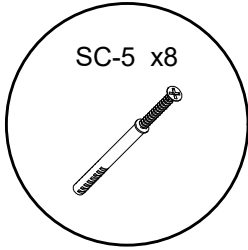
**STEP 1 :**



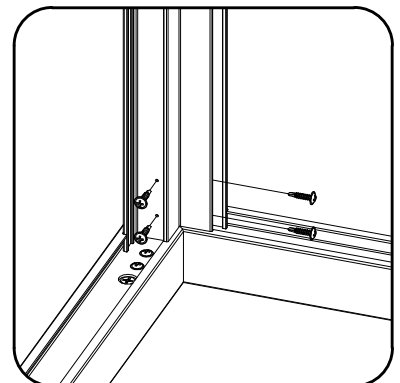
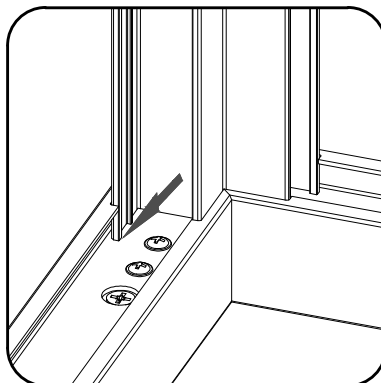
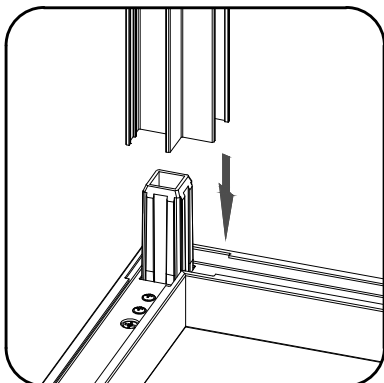
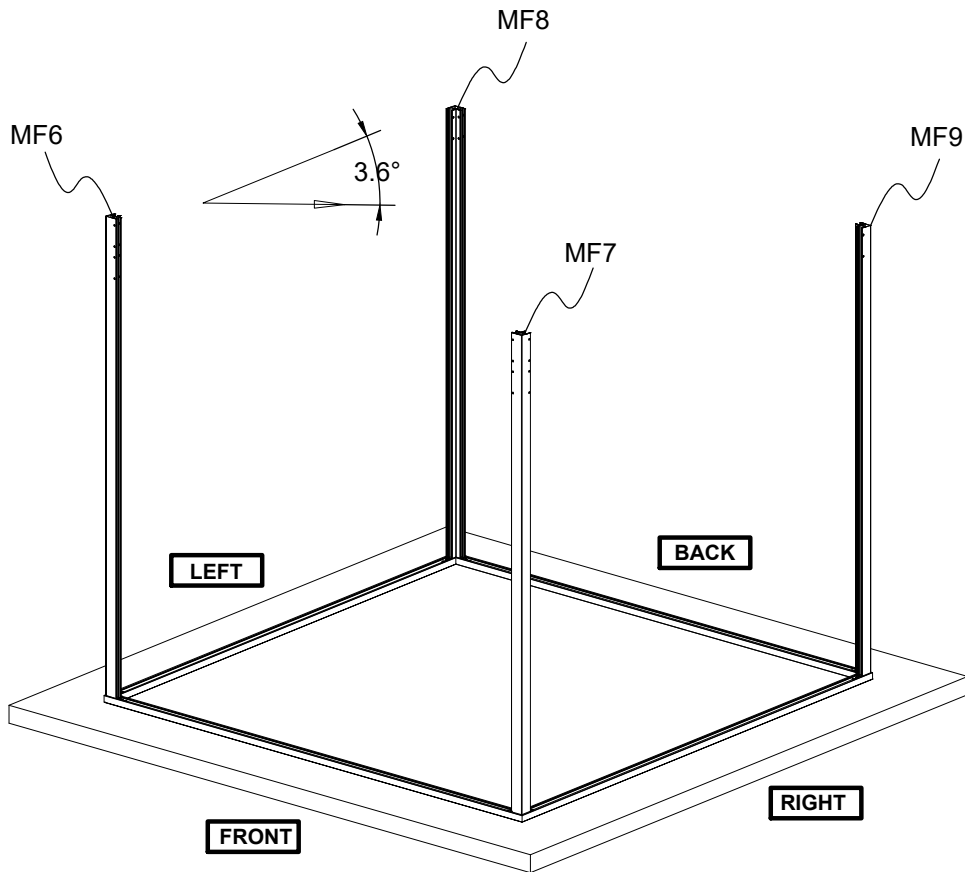
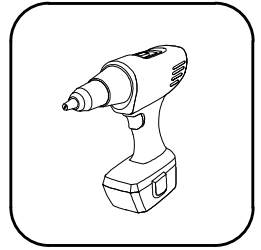
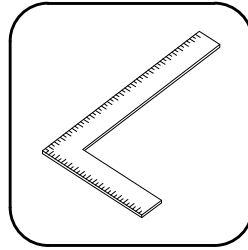
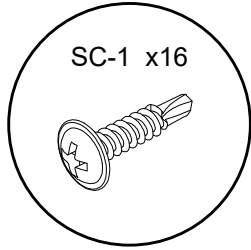
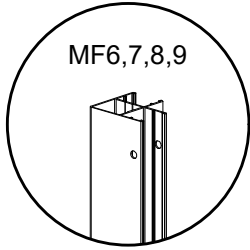
Dimension:



**STEP 2 : Expansion screws**

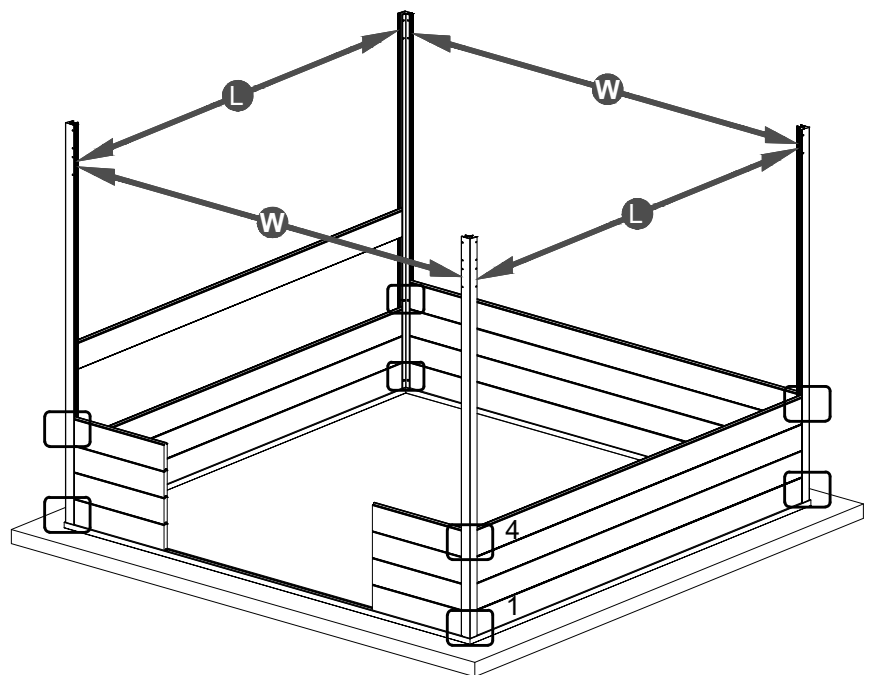
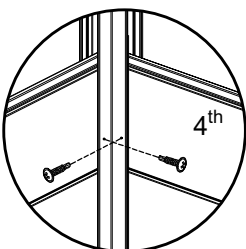
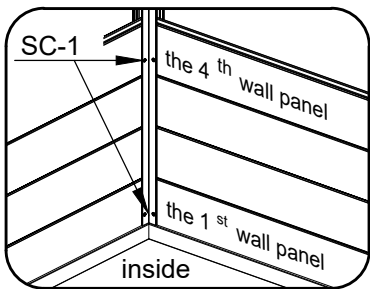
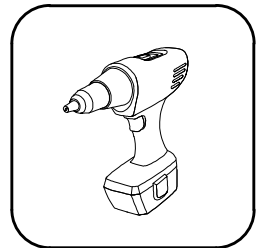
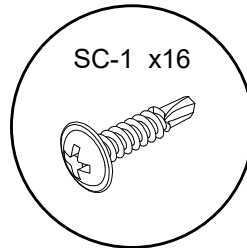
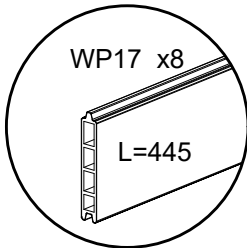
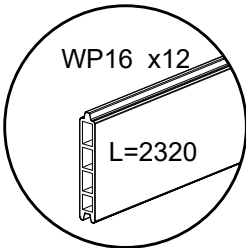
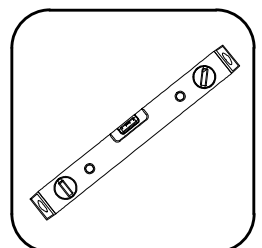
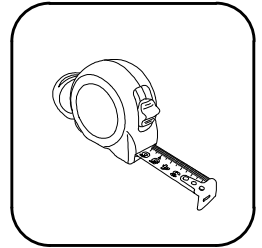
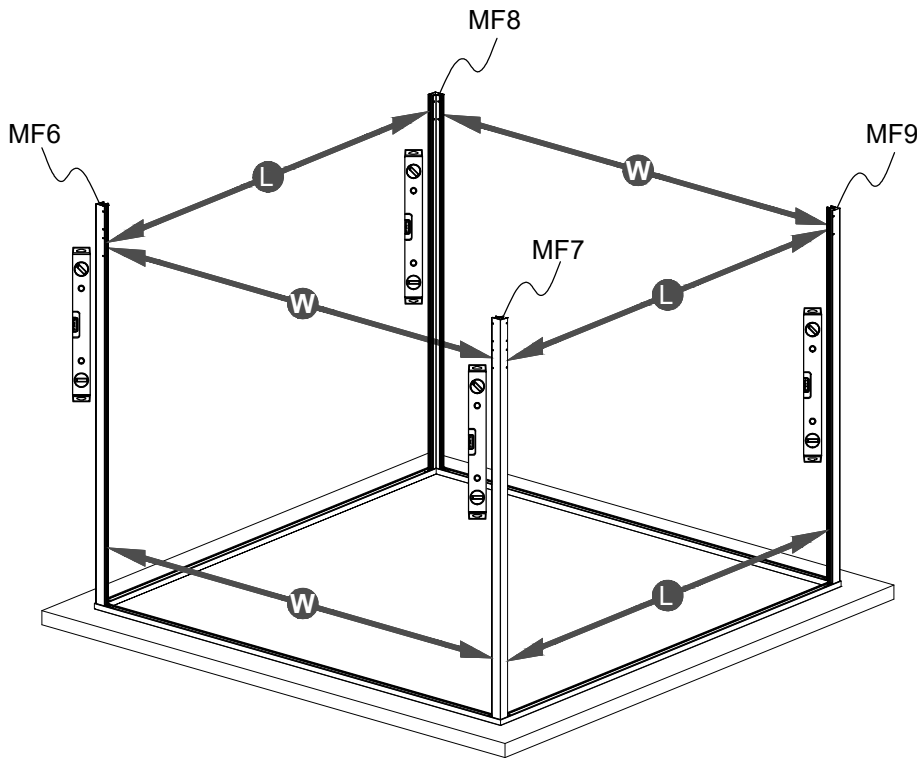


**STEP 3 :**

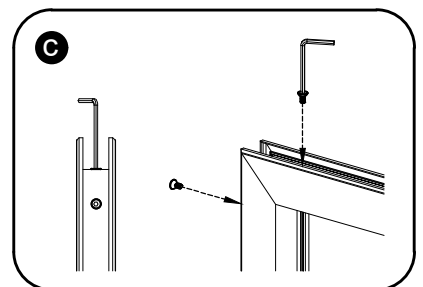
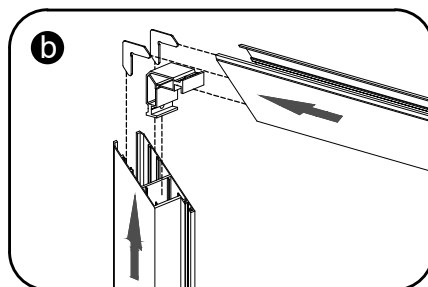
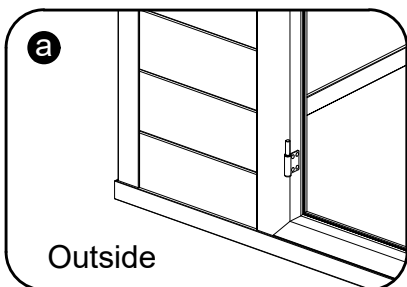
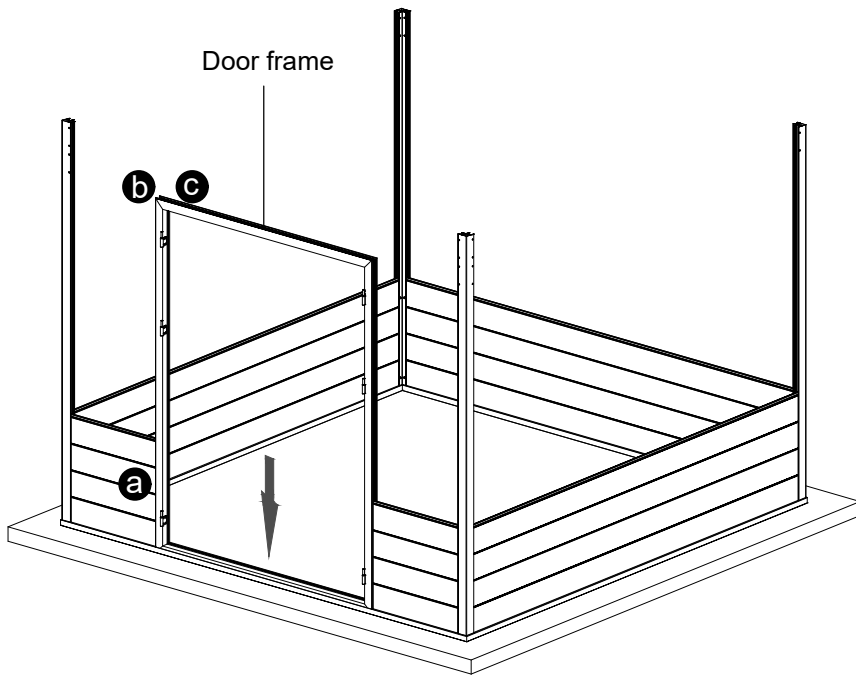
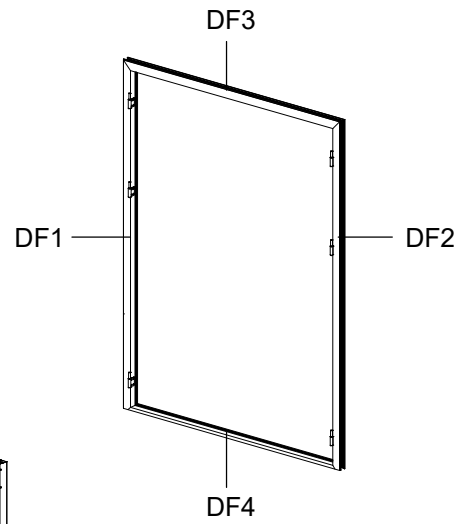
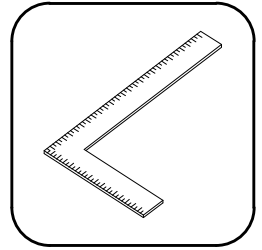
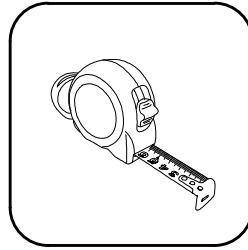
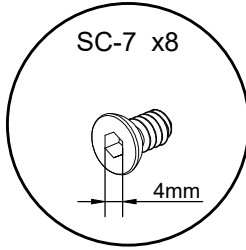
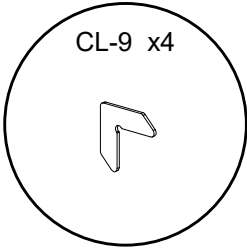
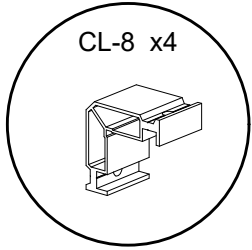




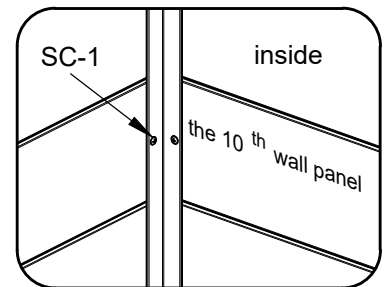
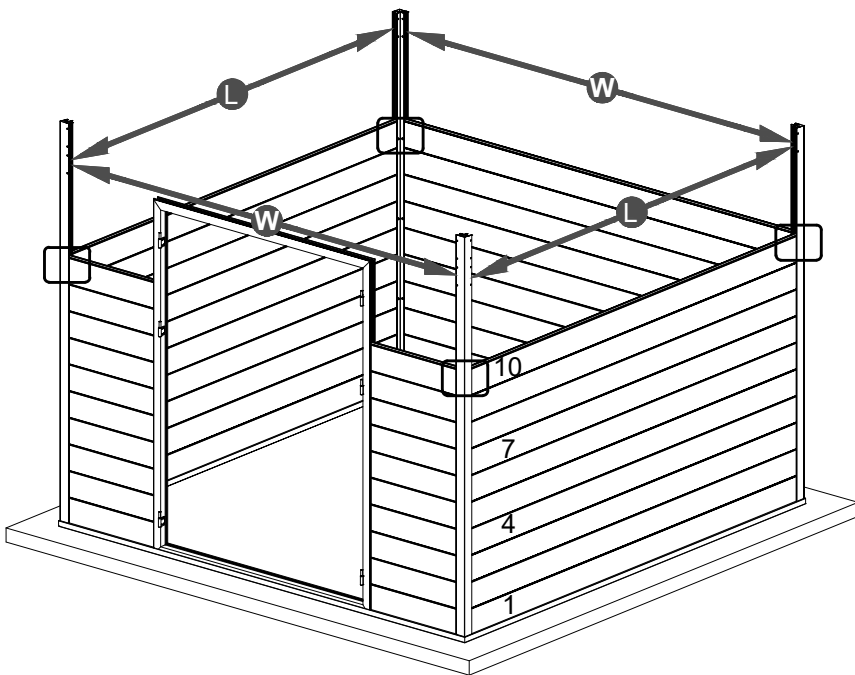
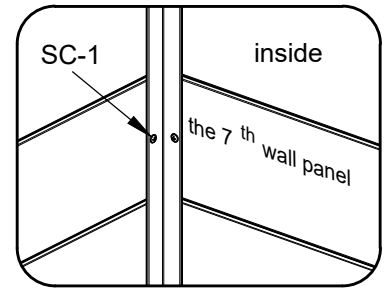
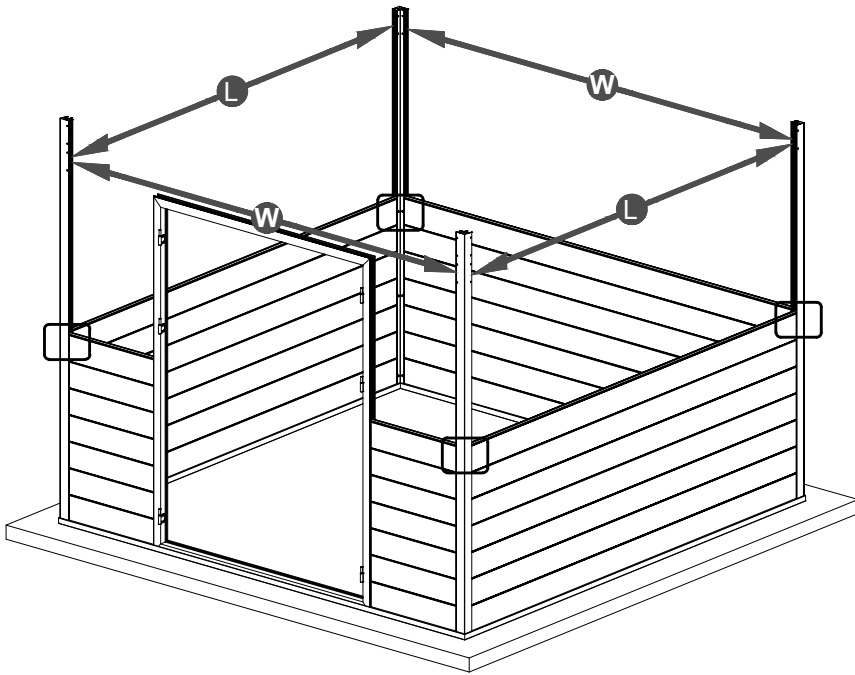
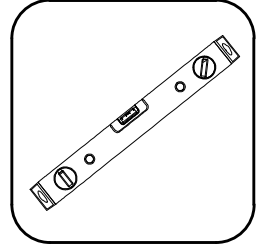
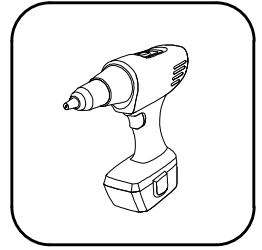
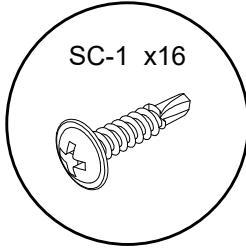
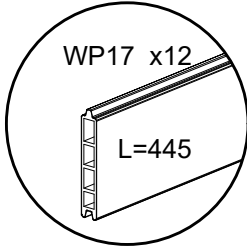
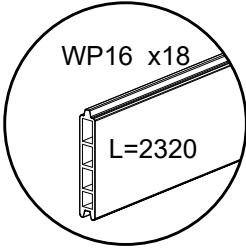
**STEP 4 :**



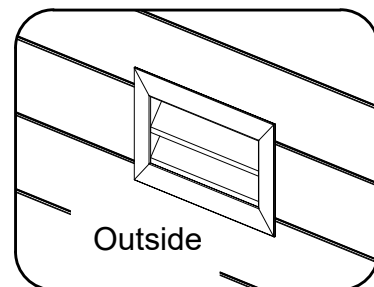
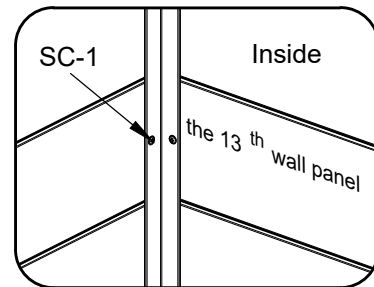
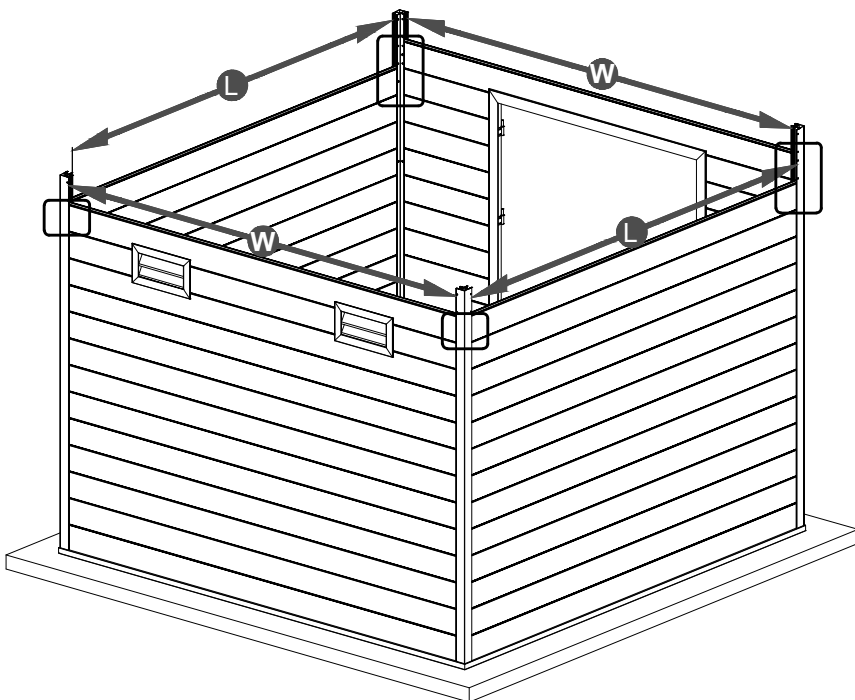
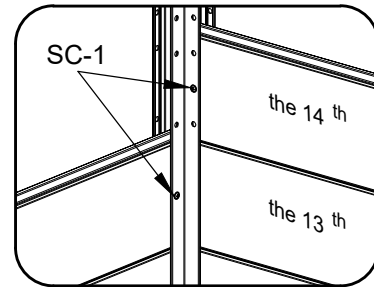
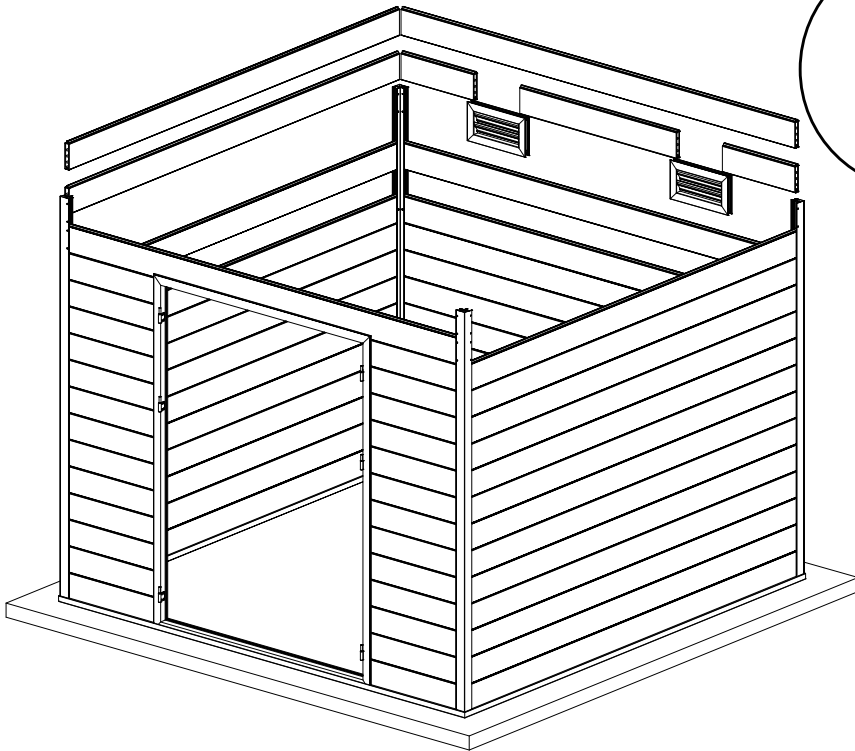
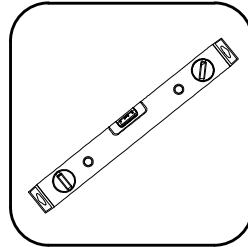
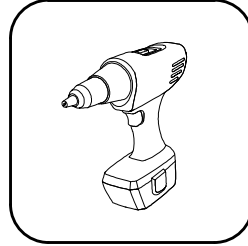
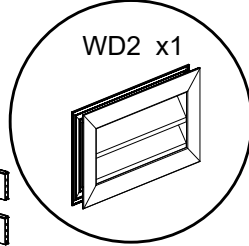
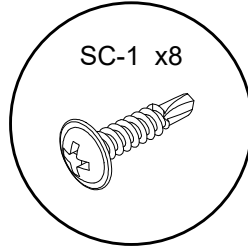
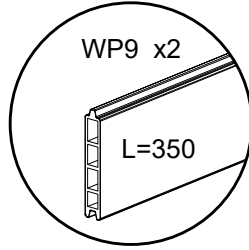
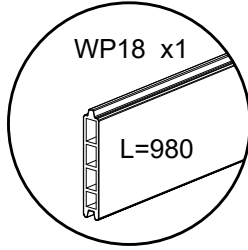
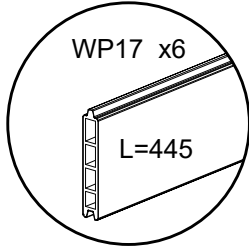
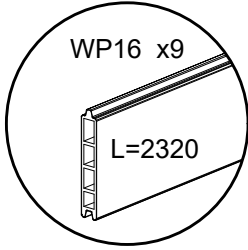
**STEP 5 :**



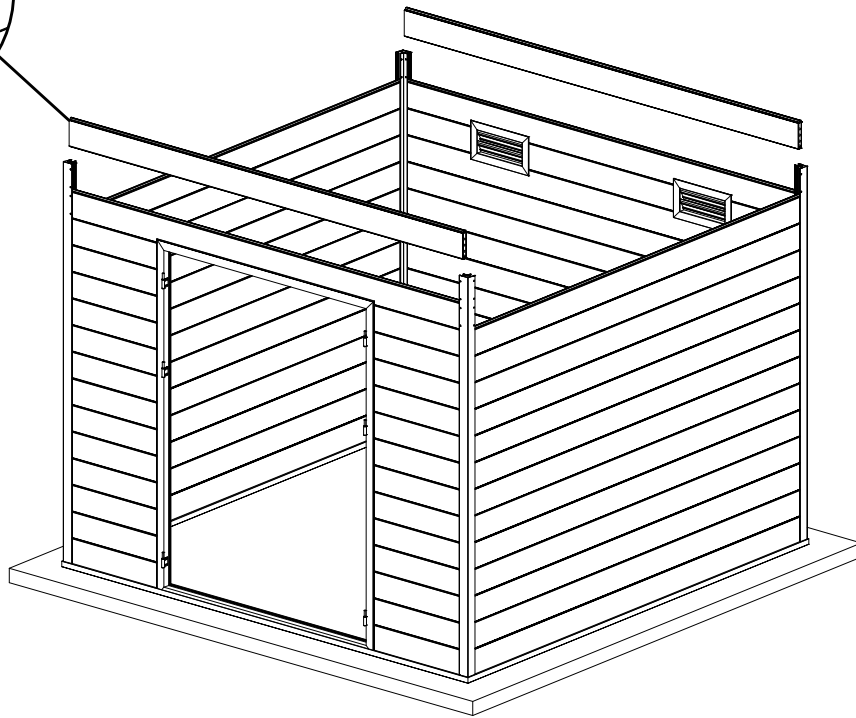
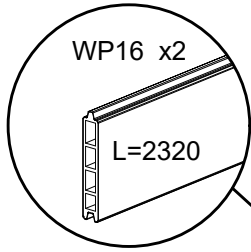
**STEP 6 :**



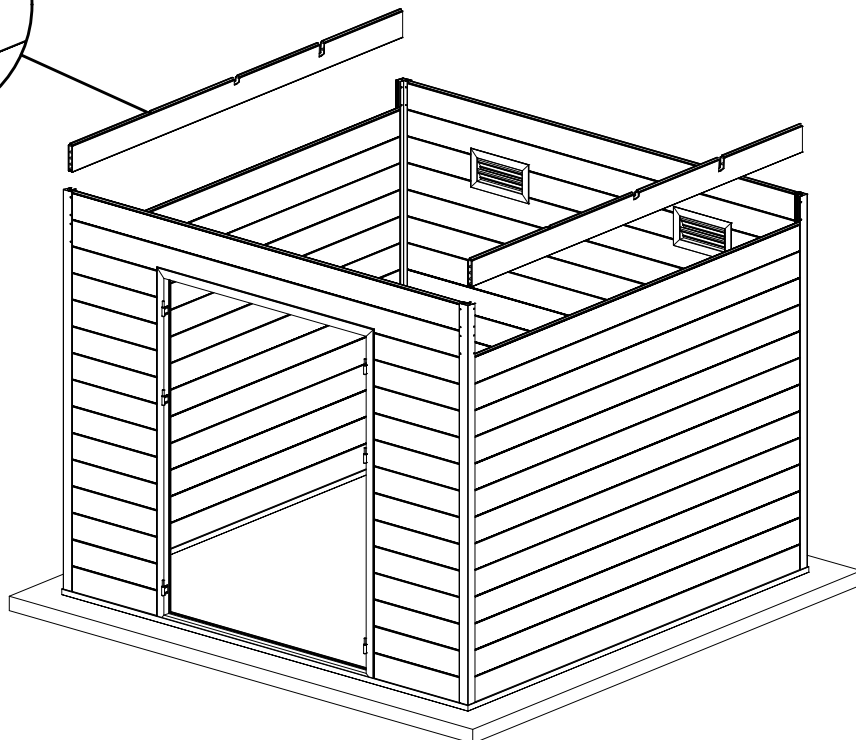
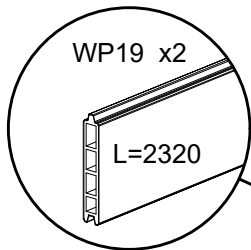
**STEP 7 :**



**STEP 8 :**

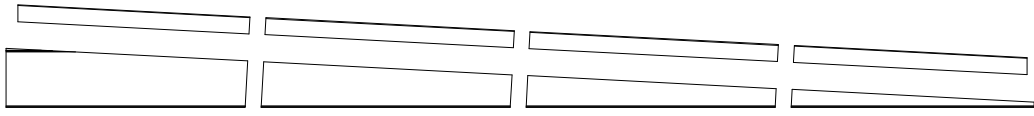


**STEP 9 :**



**STEP 10 :**

WP20 x2

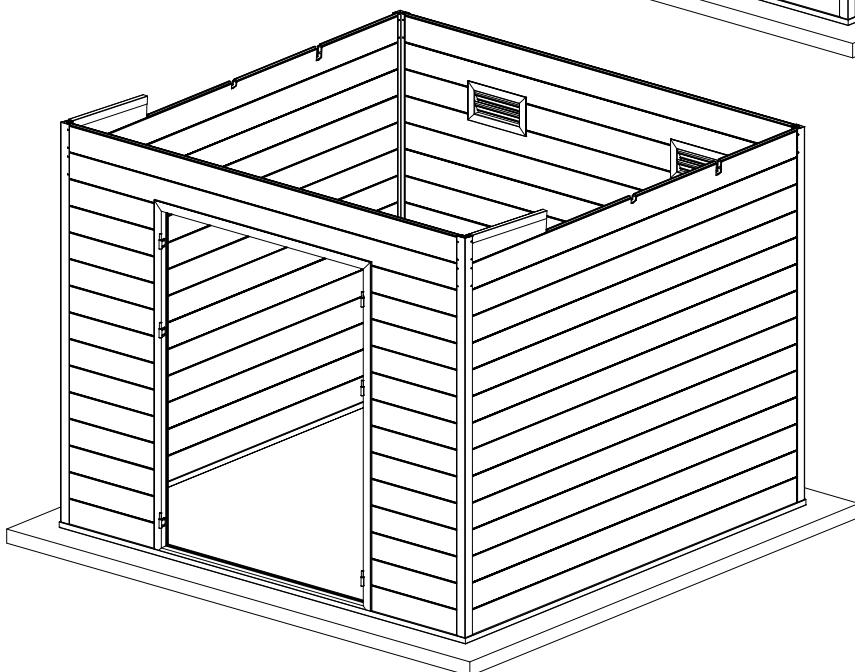
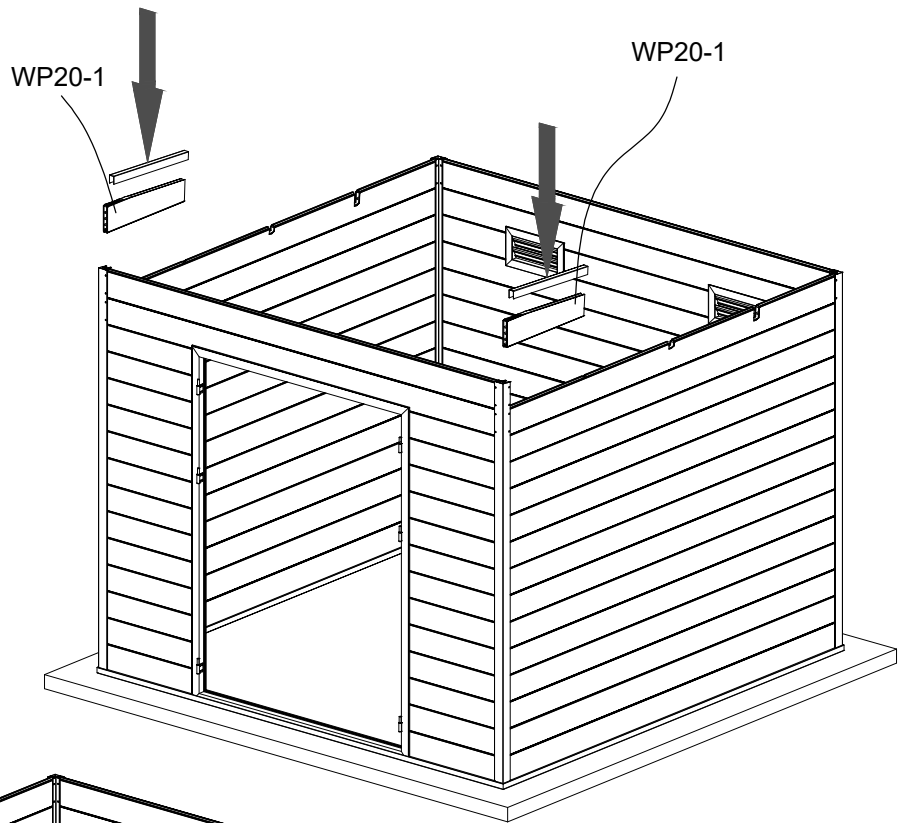


WP20-1

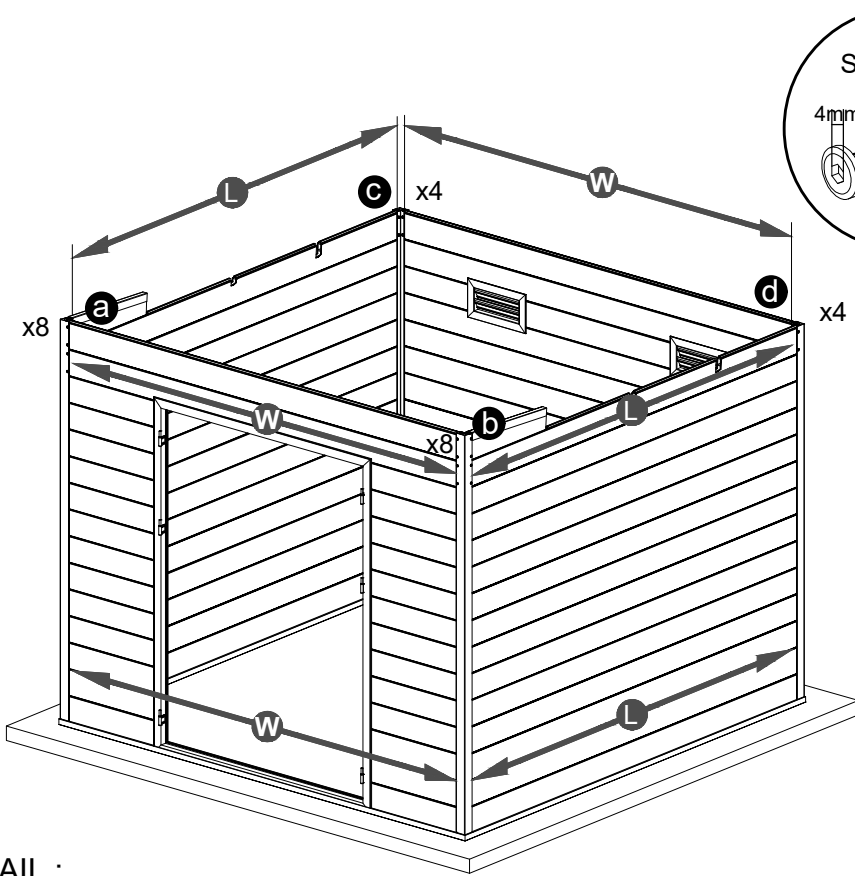
WP20-2  
(Step16)

WP20-3  
(Step16)

WP20-4  
(Step16)

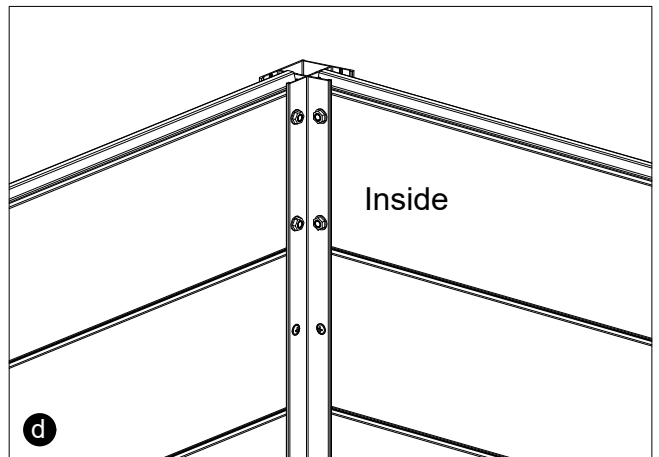
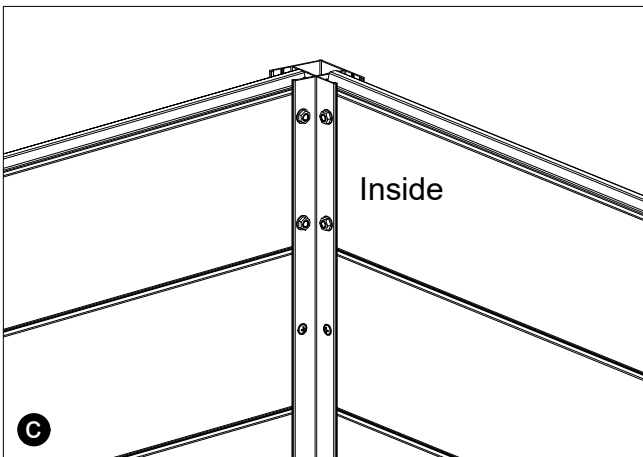
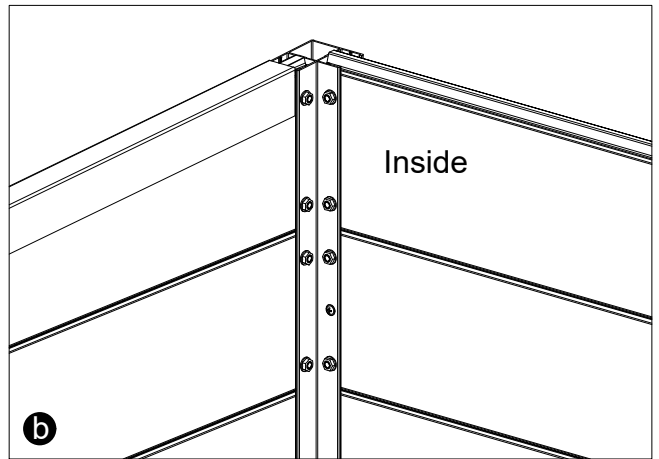
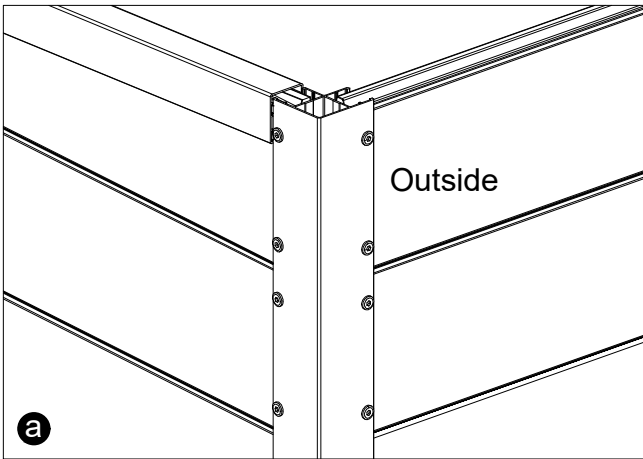


**STEP 11 :**

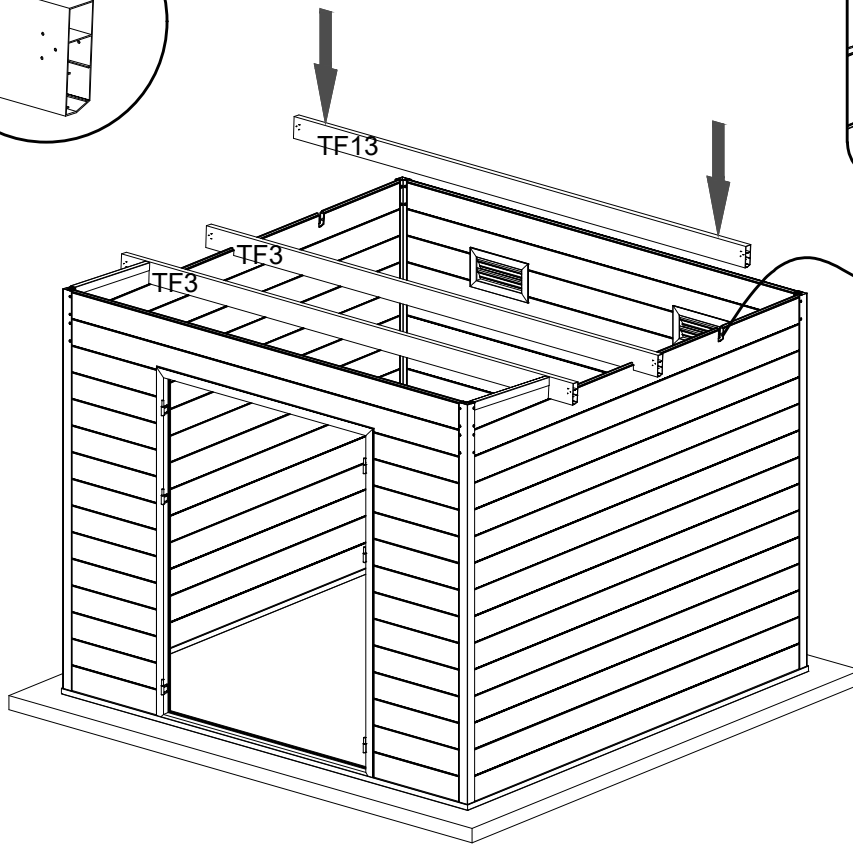
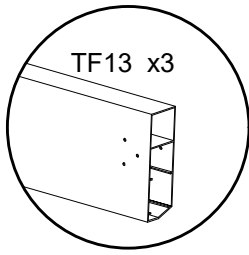


Please pre-drill holes first

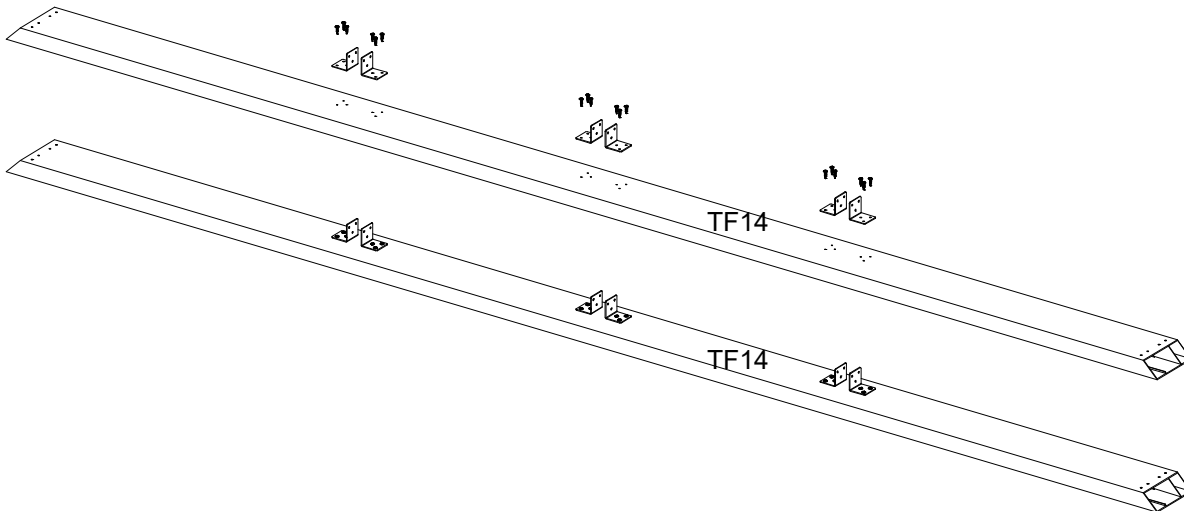
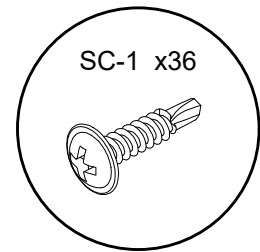
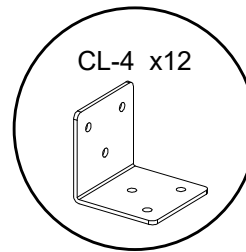
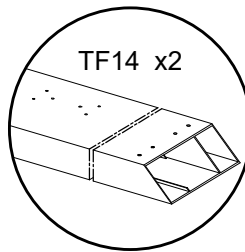
**DETAIL :**



**STEP 12 :**

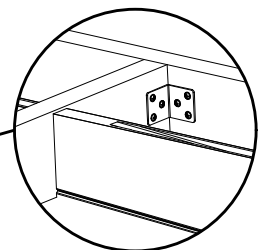
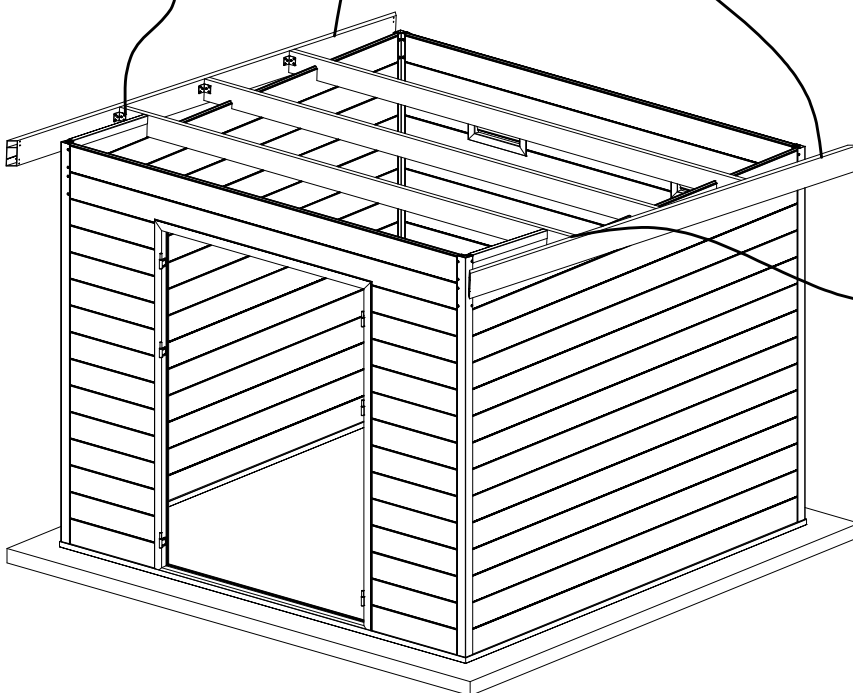
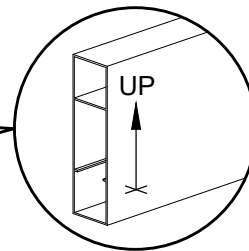
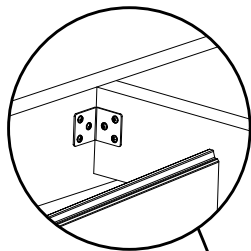
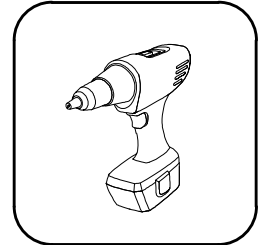
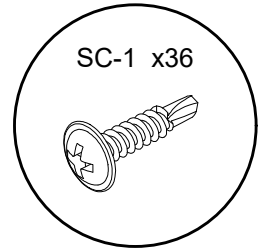
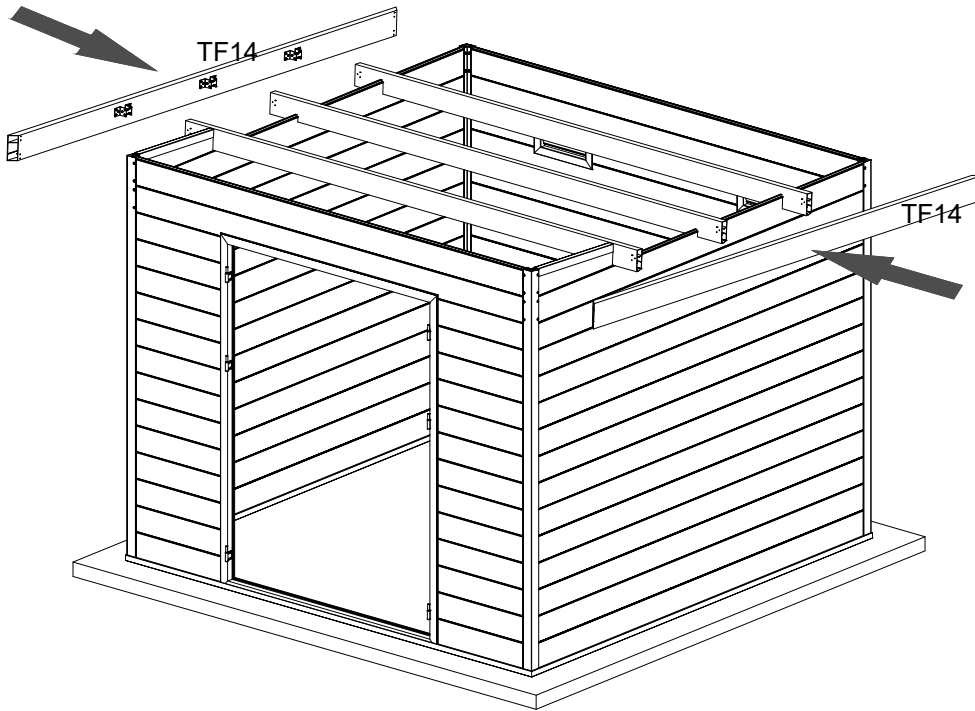


**STEP 13 :**

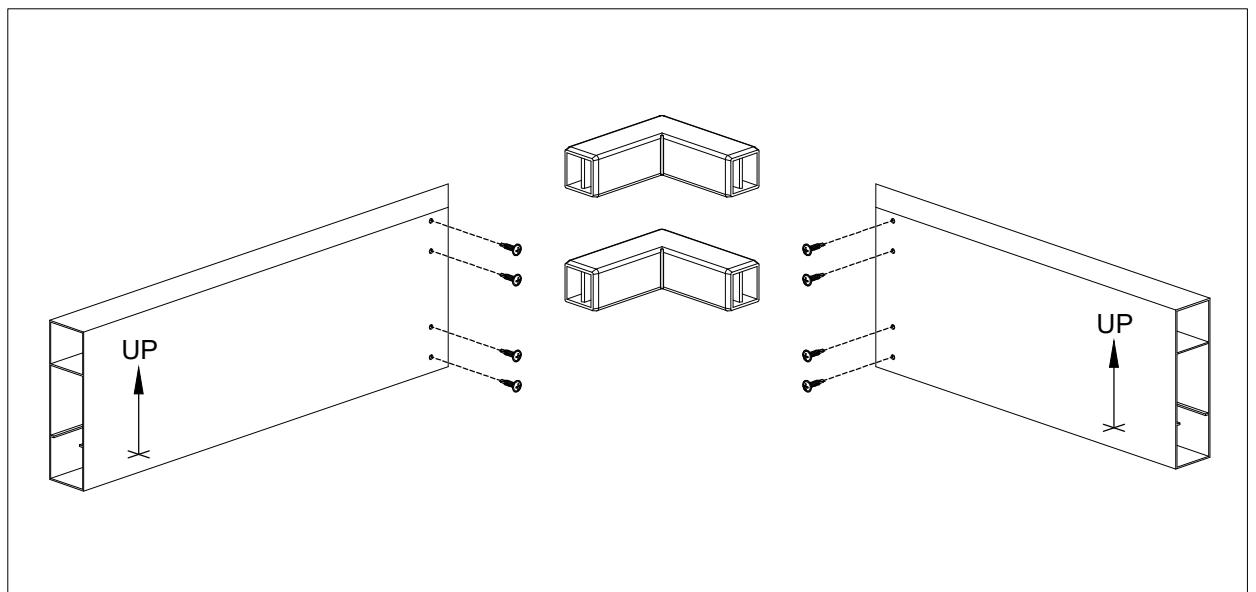
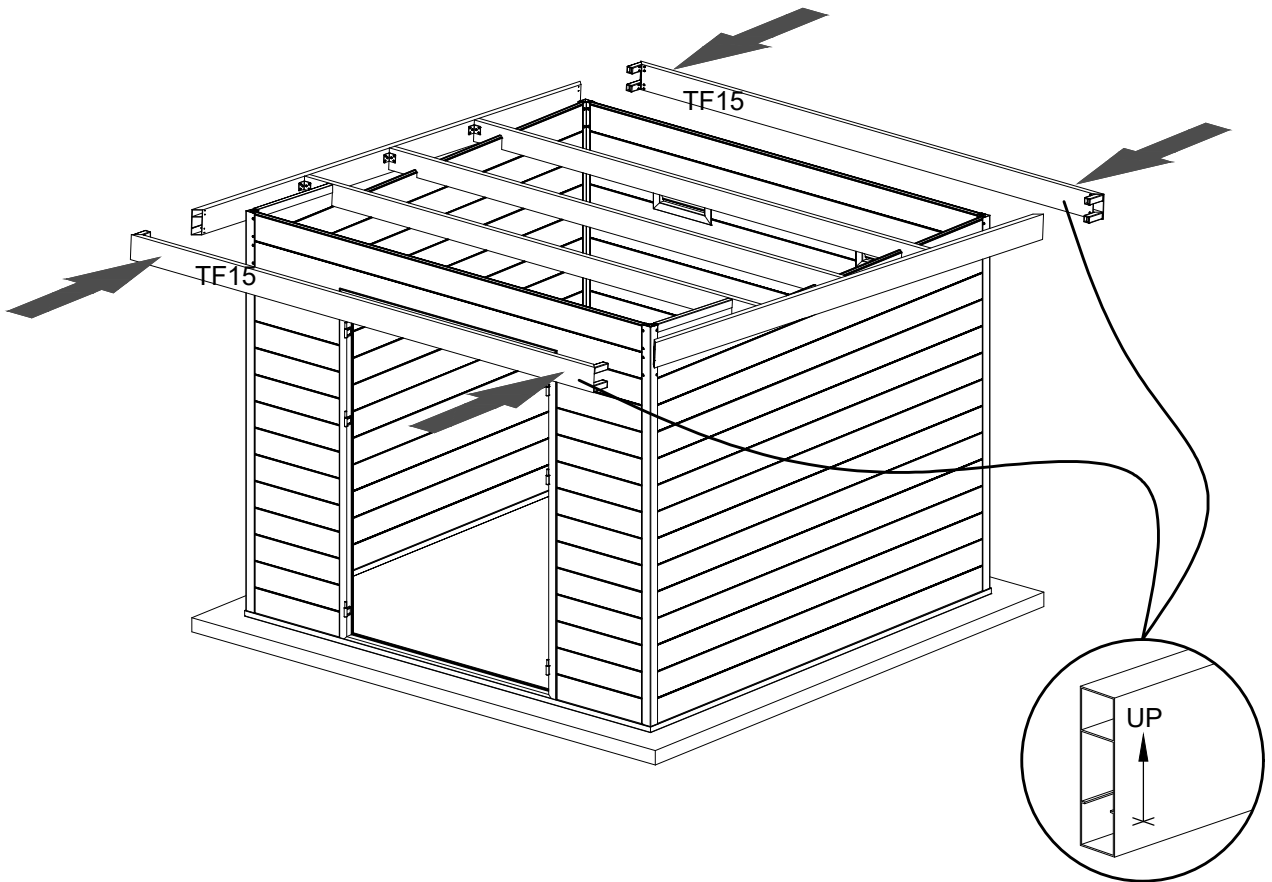
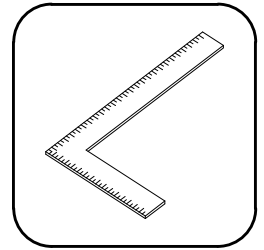
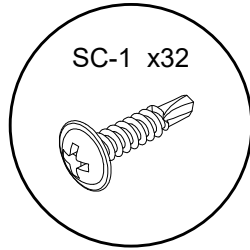
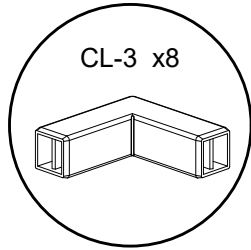
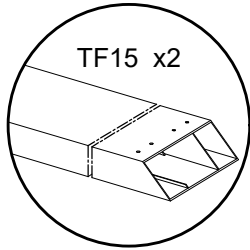




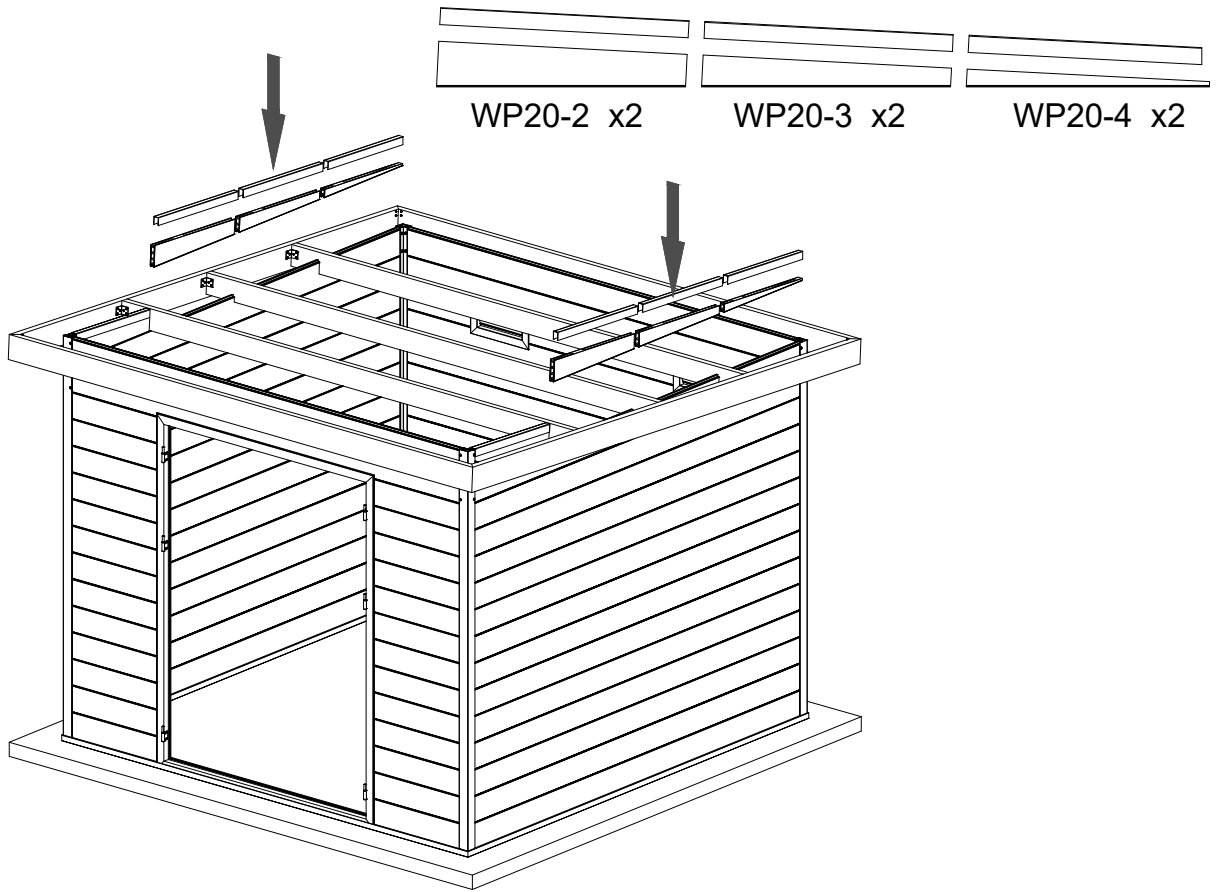
**STEP 14 :**



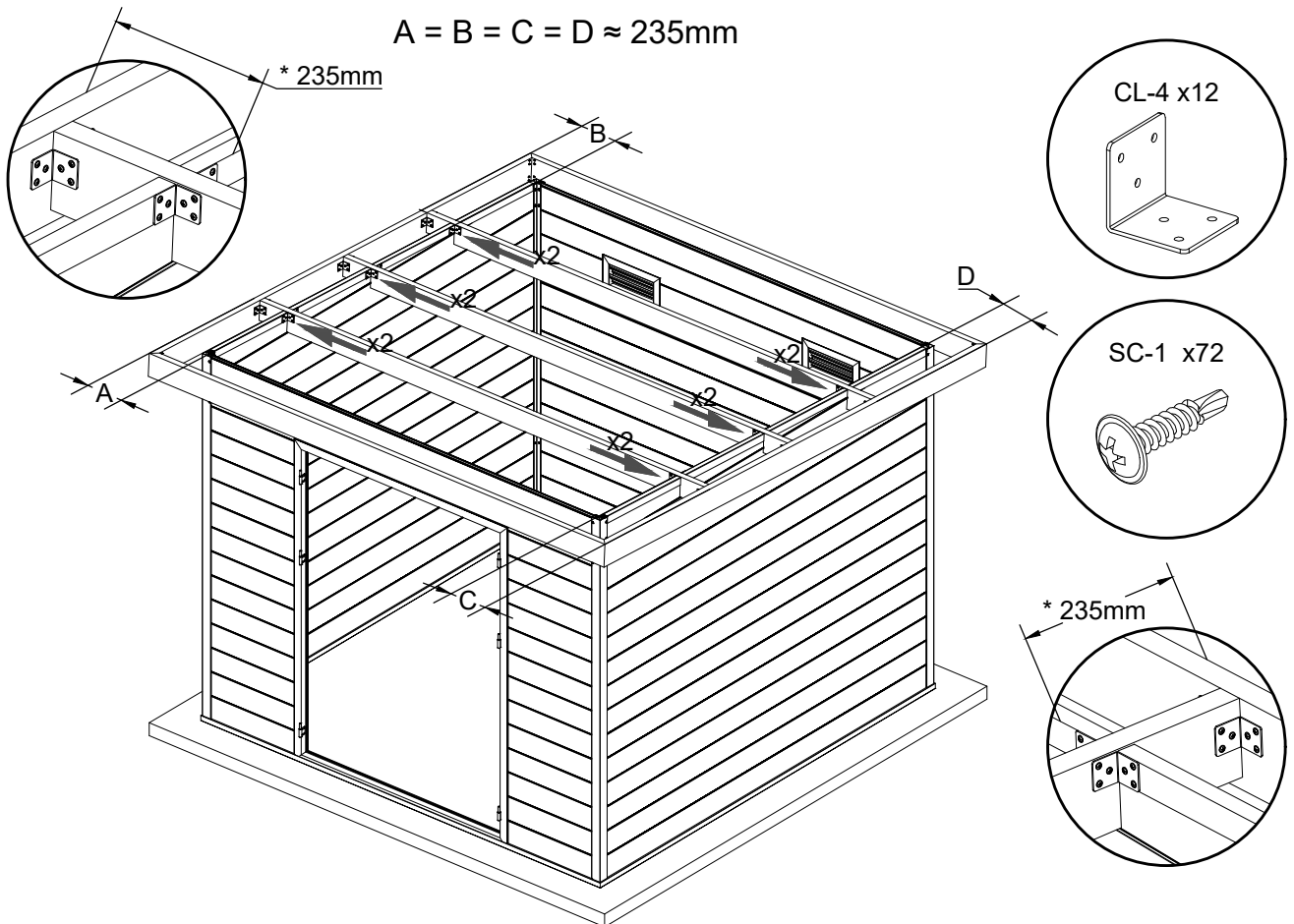
**STEP 15 :**



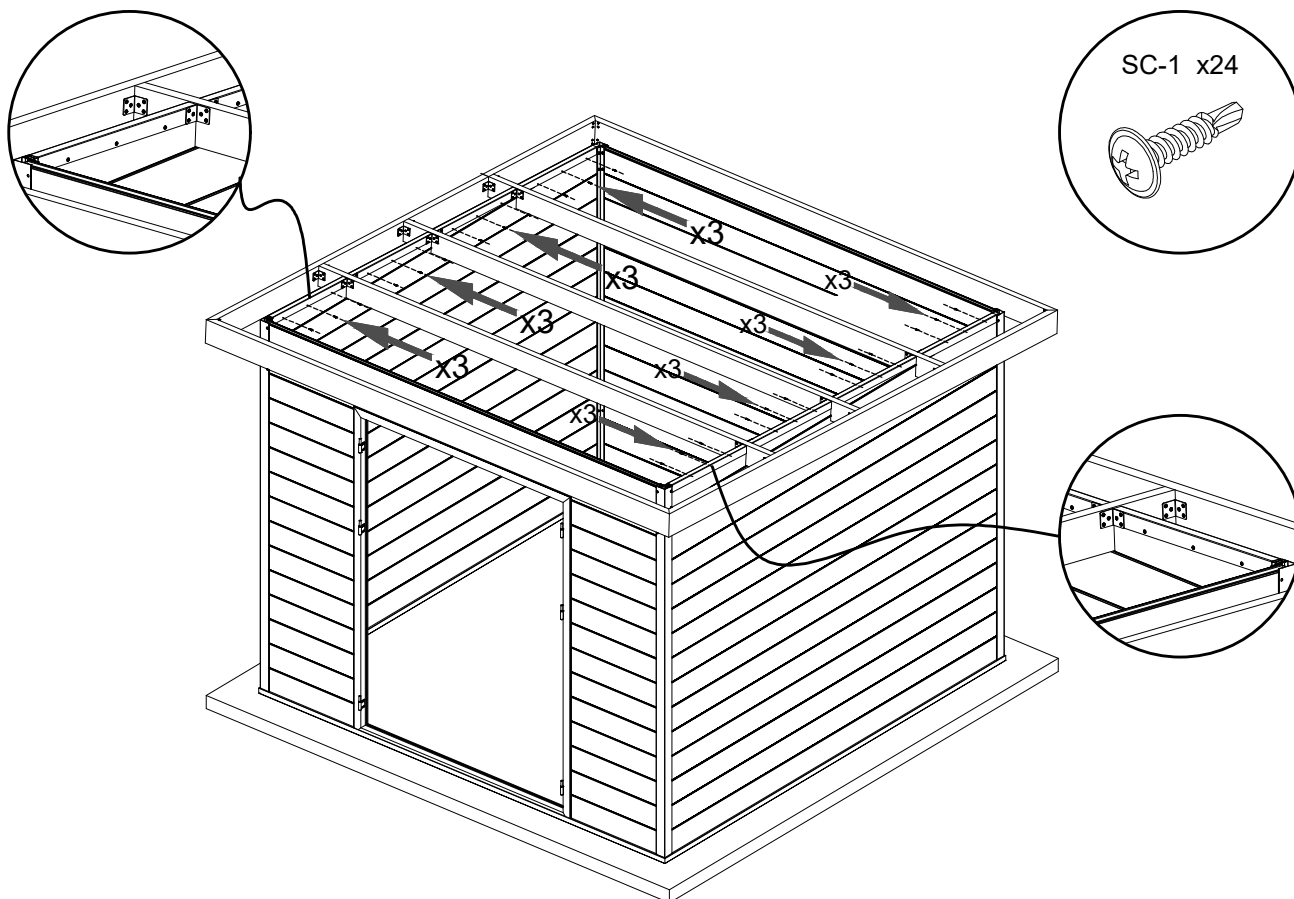
**STEP 16 :**



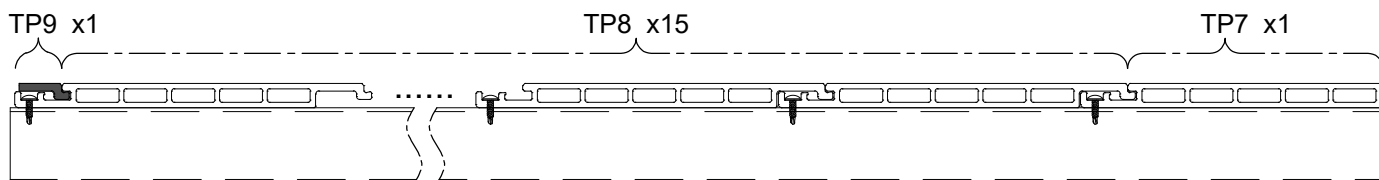
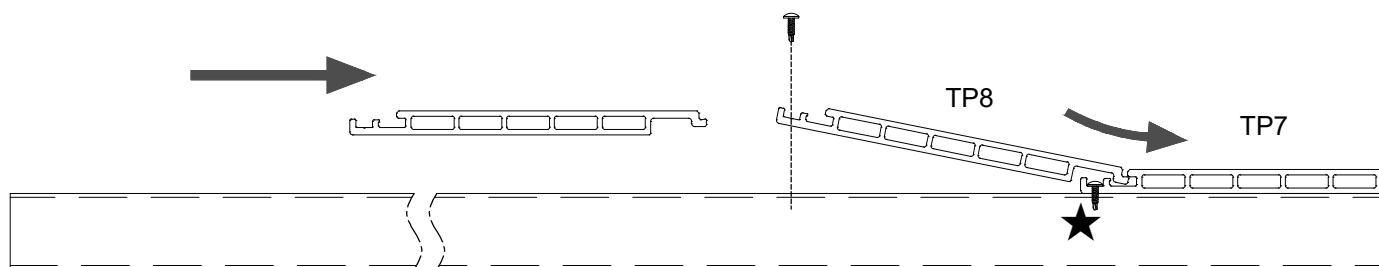
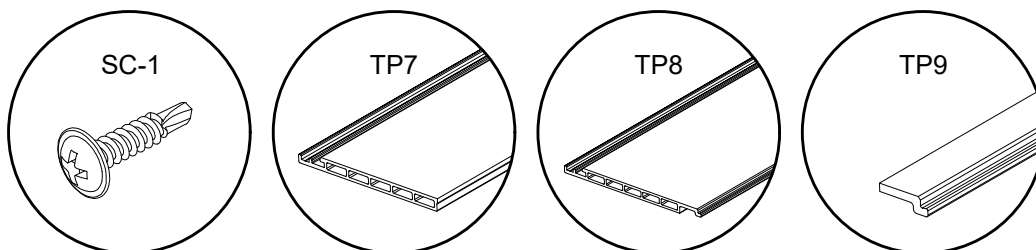
**STEP 17 : Connecting Together**



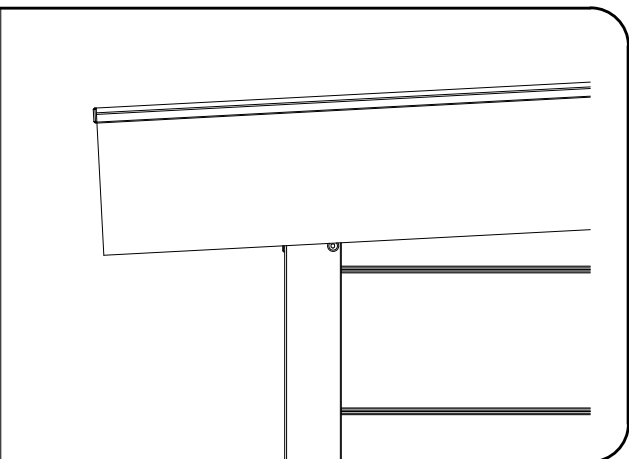
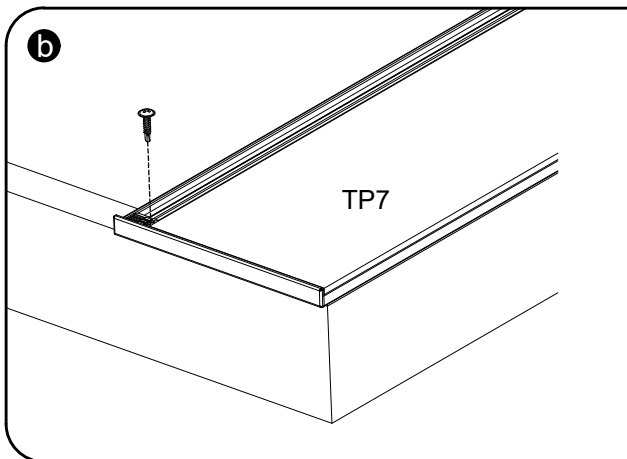
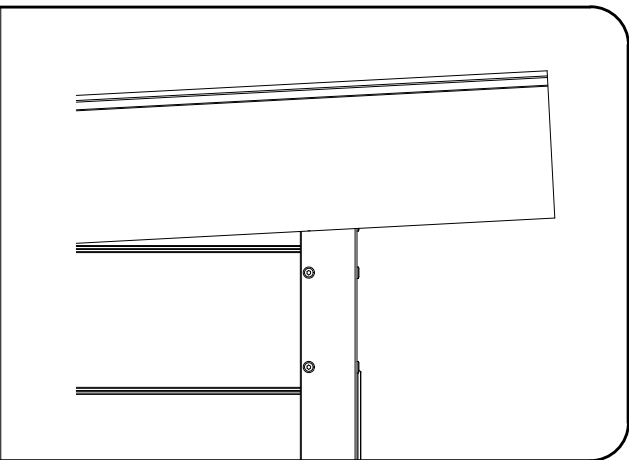
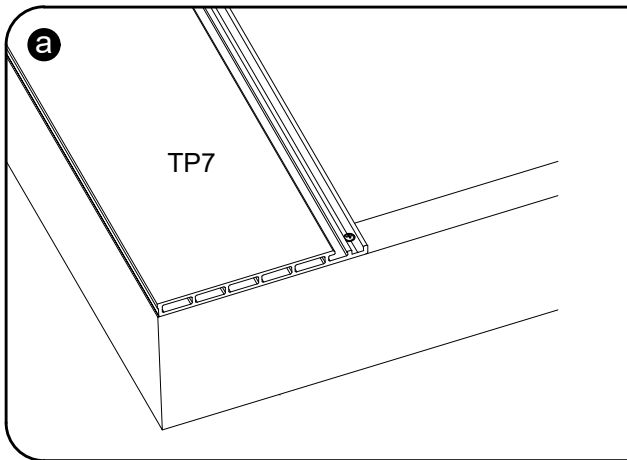
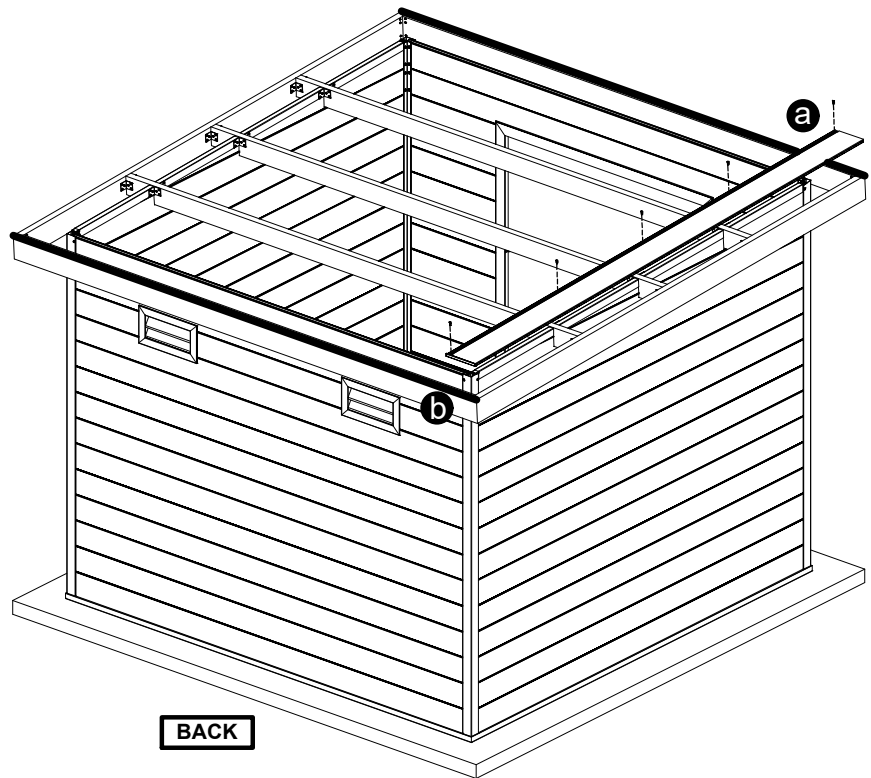
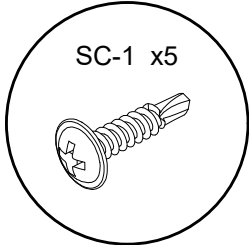
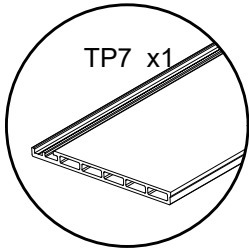
**STEP 18 : Strengthening connections**



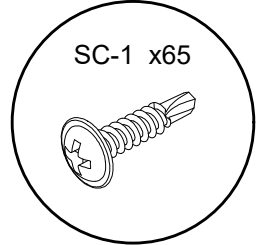
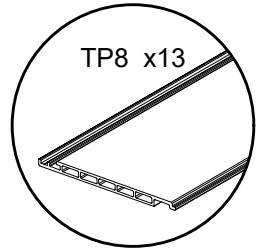
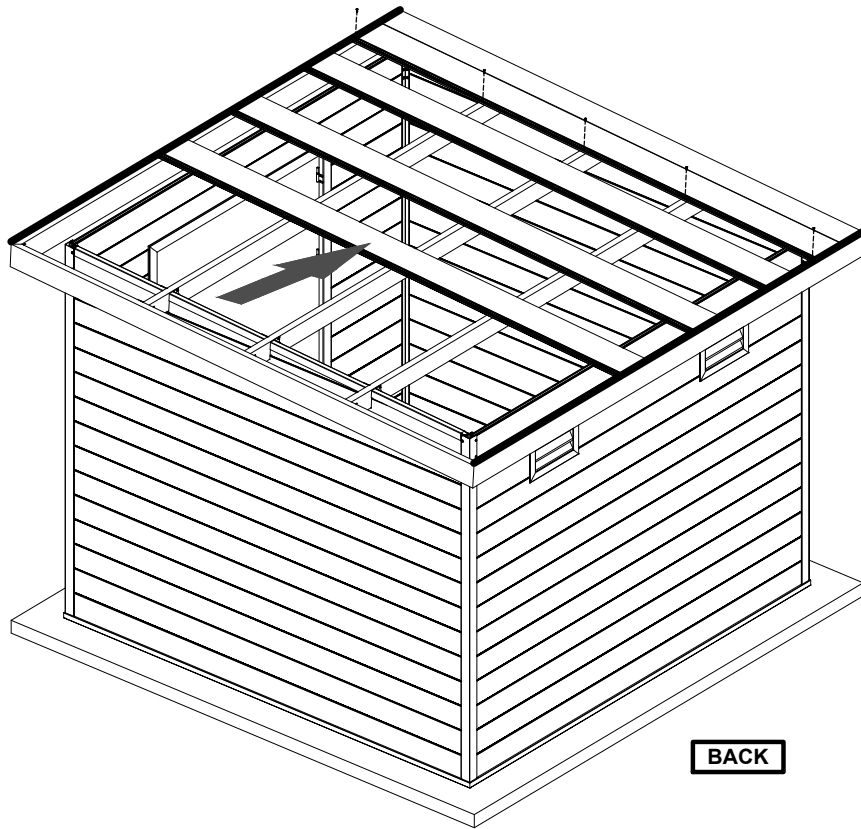
The top roof panel.



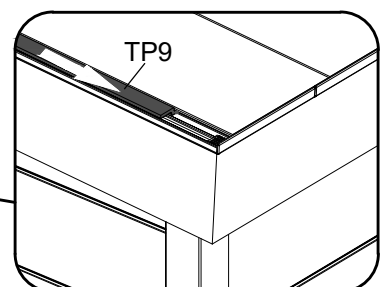
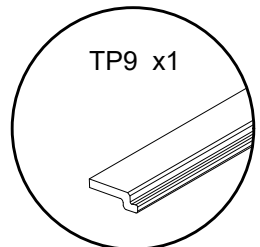
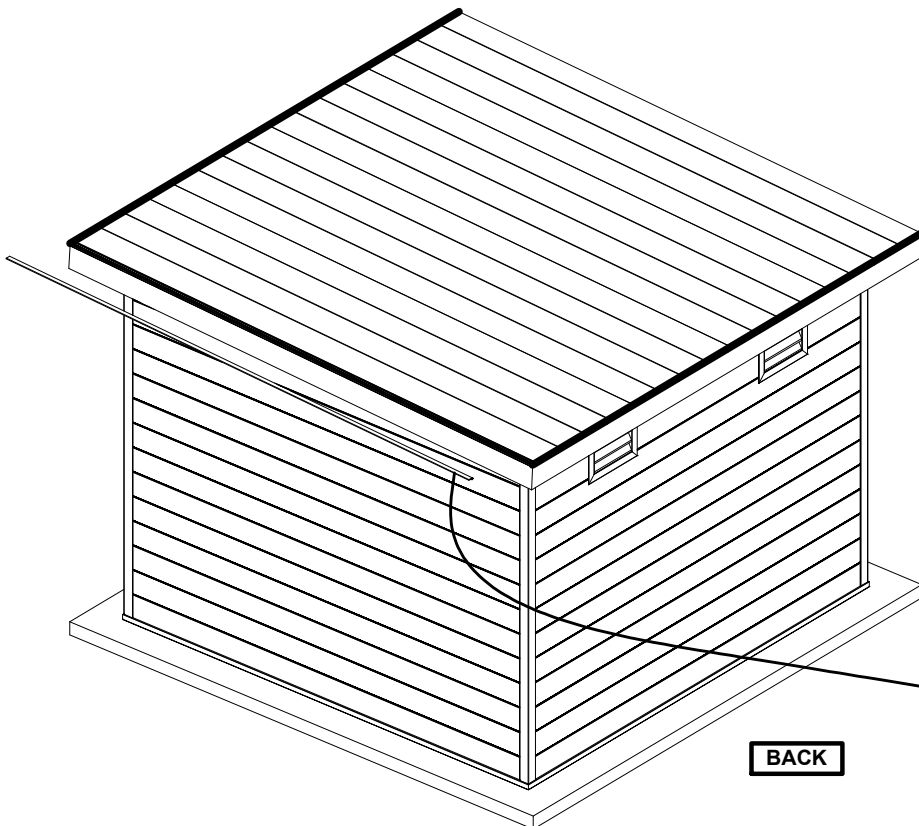
**STEP 19 : The installation of top roof panel.**



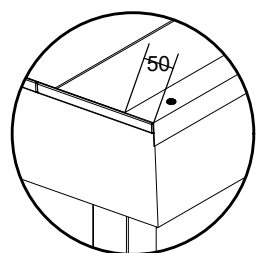
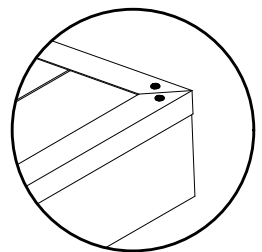
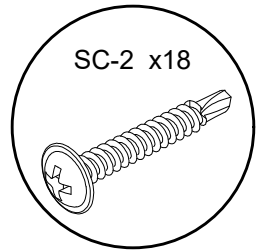
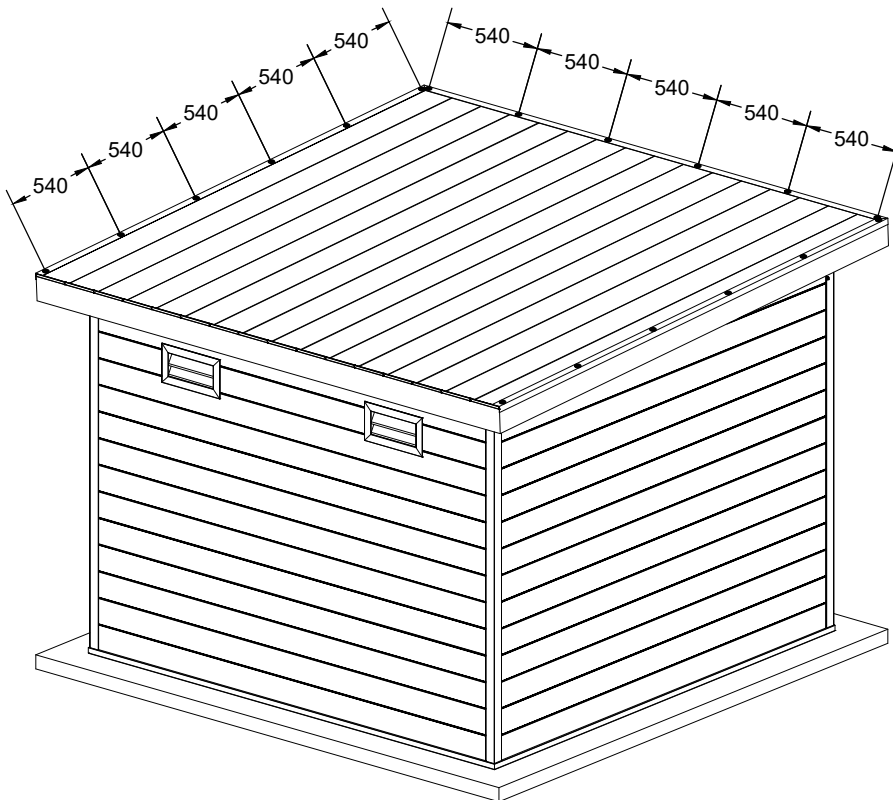
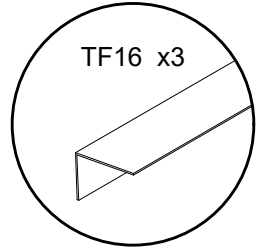
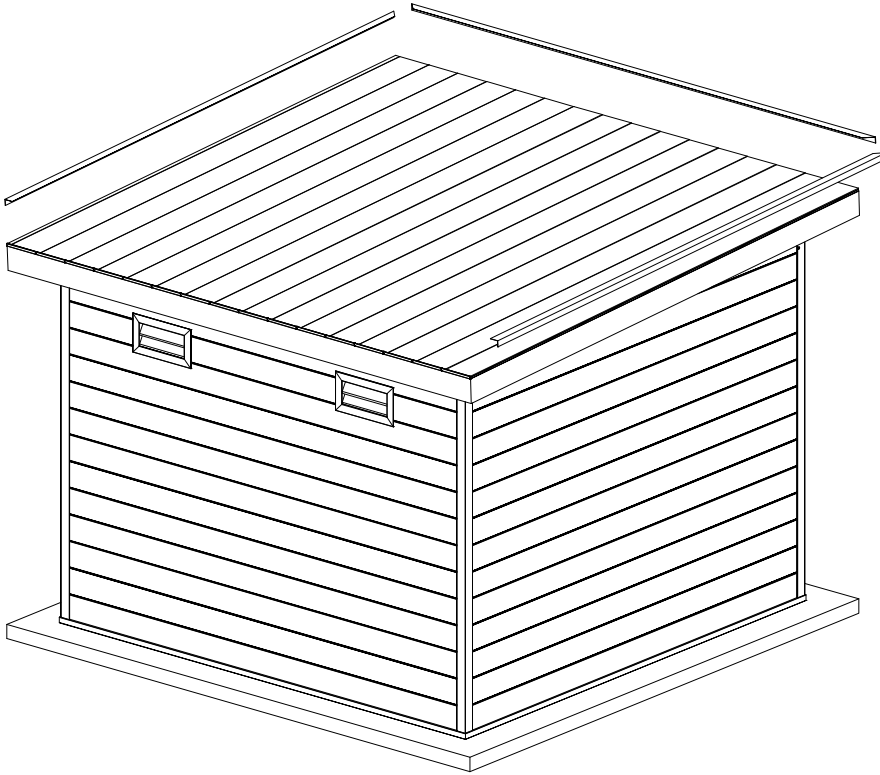
**STEP 20 :**



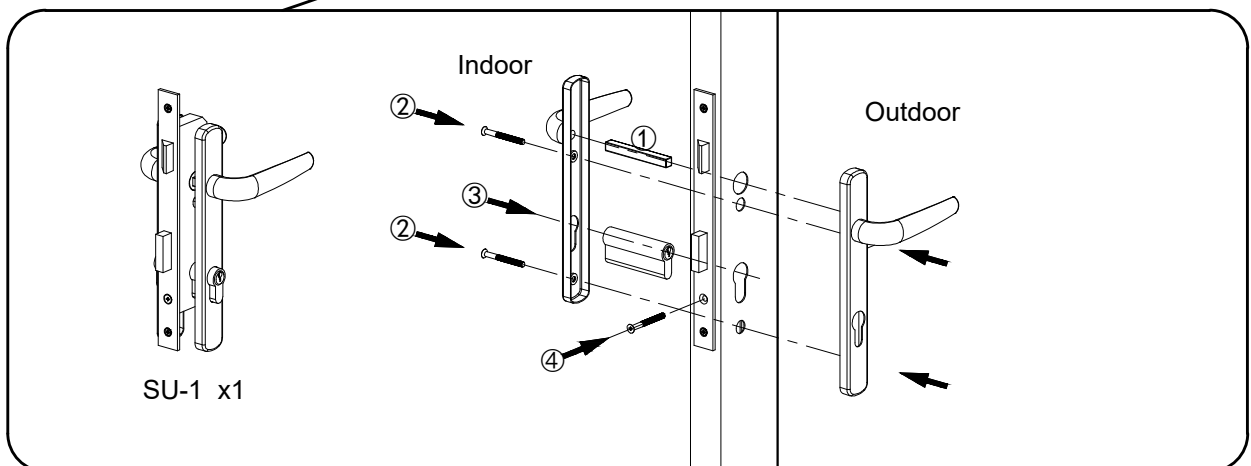
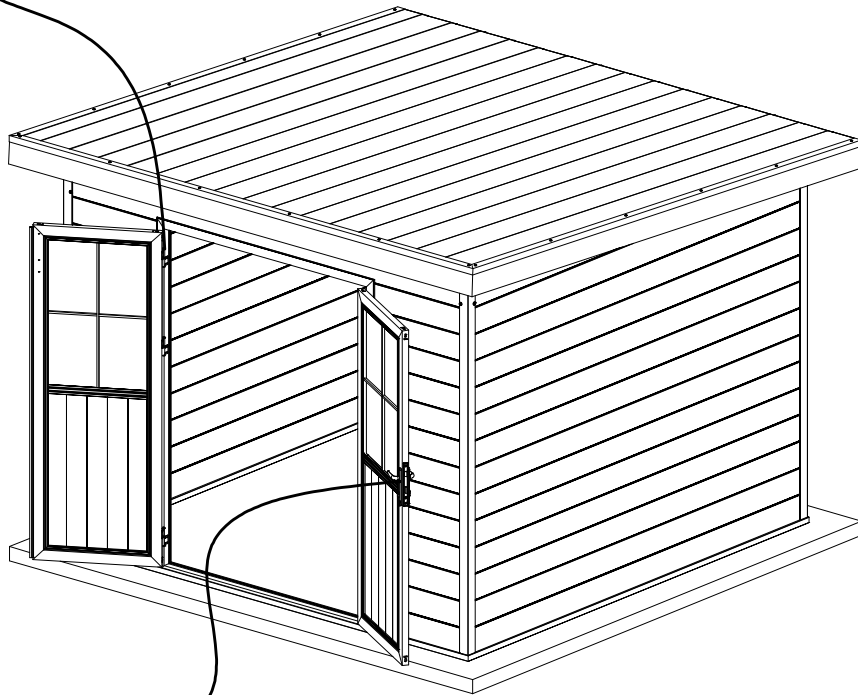
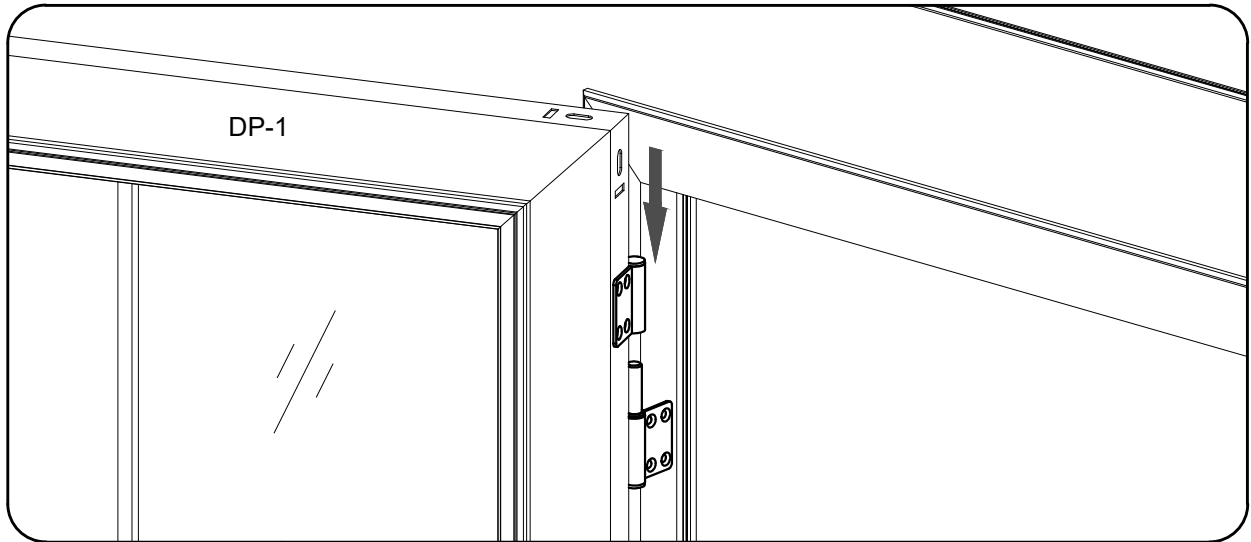
**STEP 21 :**



**STEP 22:**

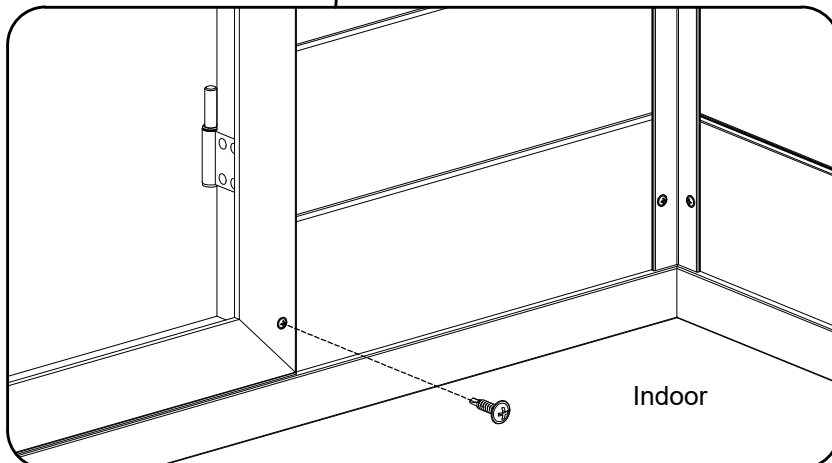
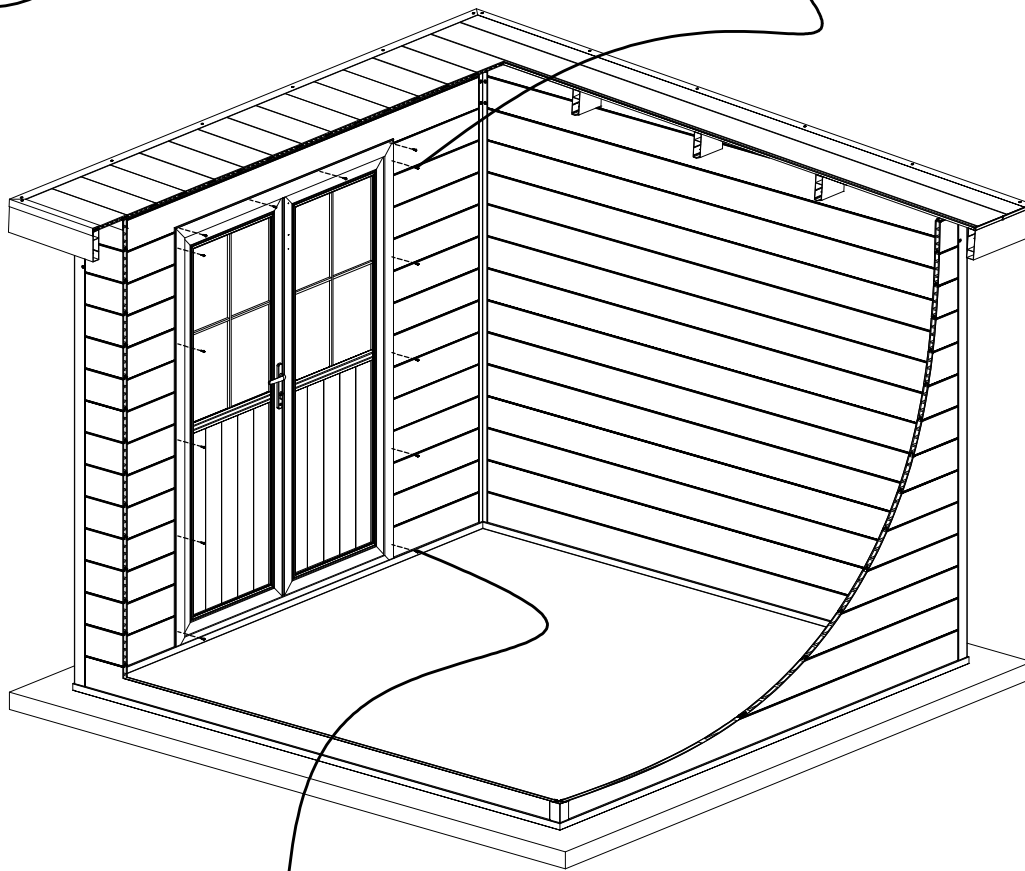
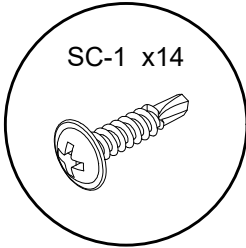
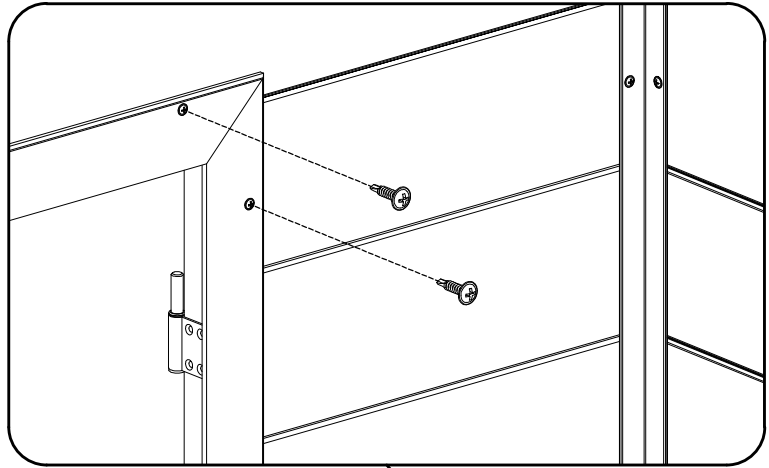
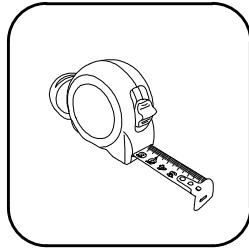
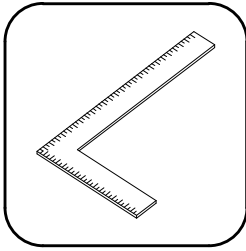


**STEP 23 : DOOR and LOCK**





**STEP 24 : Connecting Together**



**STEP 25 :**

