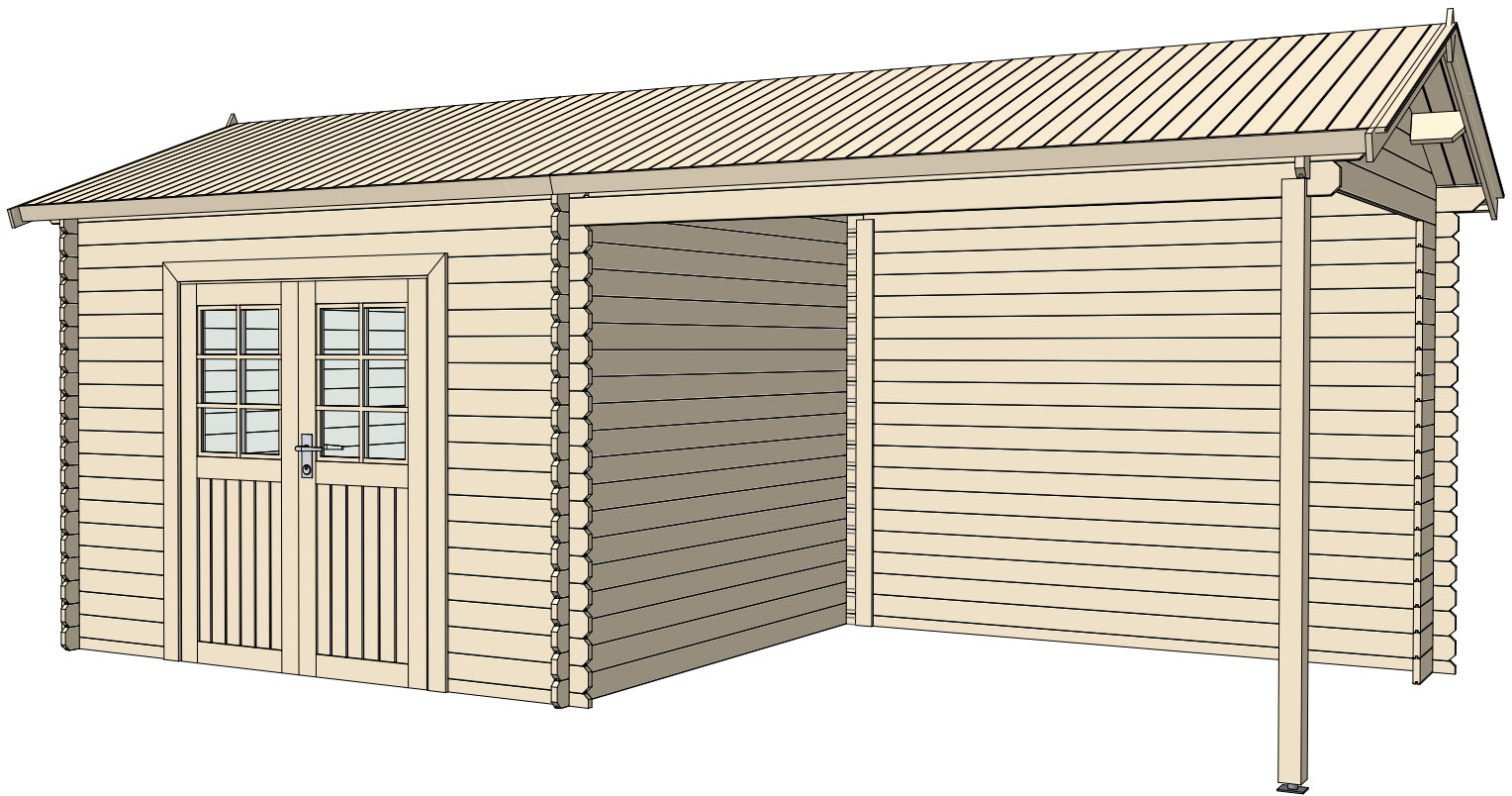


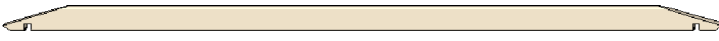











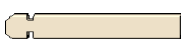

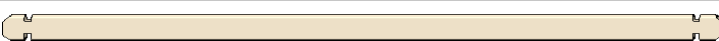







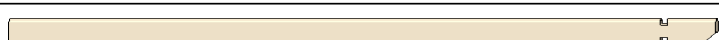
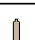
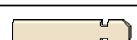
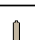




















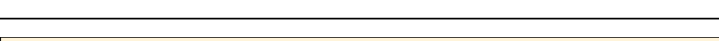
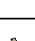
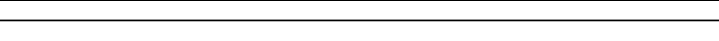
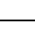
AUFBAUANLEITUNG






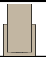



Brusell G2

5.76 x 2.96 m, 28mm

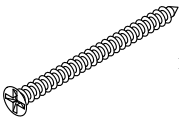
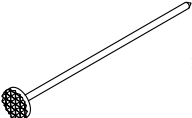
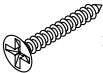
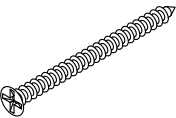
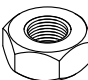
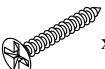


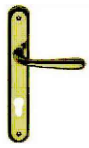
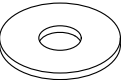
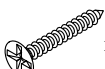
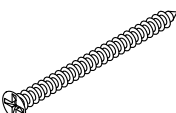
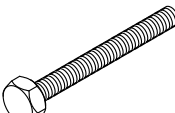
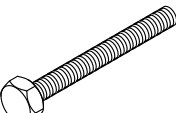
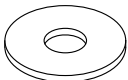



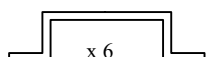


28 Brusell G2

| ID | Length | Width | Height | Quantity | Name | 3D View | |
|-----------|--------|-------|--------|----------|---------------------|---|---|
| SKL ID-9 | 2960 | 28 | 110 | 3 | Gable logs (Merged) |  |  |
| SKL ID-10 | 2490 | 28 | 110 | 3 | Gable logs (Merged) |  |  |
| SKL ID-11 | 1863 | 28 | 110 | 3 | Gable logs (Merged) |  |  |
| SKL ID-12 | 1235 | 28 | 110 | 3 | Gable logs (Merged) |  |  |
| SKL ID-13 | 608 | 28 | 110 | 3 | Gable logs (Merged) |  |  |
| EXTRA-1 | 2960 | 28 | 110 | 1 | Wall logs |  |  |
| ID-1 | 720 | 28 | 110 | 32 | Wall logs |  |  |
| ID-3 | 2960 | 28 | 110 | 58 | Wall logs |  |  |
| ID-4 | 2856 | 28 | 110 | 1 | Wall logs |  |  |
| ID-5 | 3070 | 28 | 110 | 2 | Wall logs |  |  |
| ID-7 | 2760 | 28 | 110 | 18 | Wall logs |  |  |
| ID-8 | 2910 | 28 | 110 | 2 | Wall logs |  |  |
| ID-14 | 480 | 28 | 110 | 18 | Wall logs |  |  |
| ID-16 | 2904 | 28 | 110 | 1 | Wall logs |  |  |
| PUS ID-1 | 720 | 28 | 55 | 2 | Wall logs |  |  |
| PUS ID-3 | 2960 | 28 | 55 | 1 | Wall logs |  |  |
| PUS ID-7 | 2760 | 28 | 55 | 1 | Wall logs |  |  |
| PR-1 | 2966 | 40 | 120 | 2 | Purlins |  |  |
| PR-2 | 3014 | 40 | 120 | 2 | Purlins |  |  |
| PR-3 | 2966 | 40 | 120 | 1 | Purlins |  |  |
| PR-4 | 3014 | 40 | 120 | 1 | Purlins |  |  |
| RB-1 | 1630 | 17 | 90 | 136 | Roof boards |  |  |
| WB-1 | 1700 | 19 | 90 | 4 | Windboard |  |  |
| WB-2 | 2990 | 19 | 75 | 4 | Windboard |  |  |
| WB-3 | 2990 | 30 | 30 | 4 | Windboard |  |  |

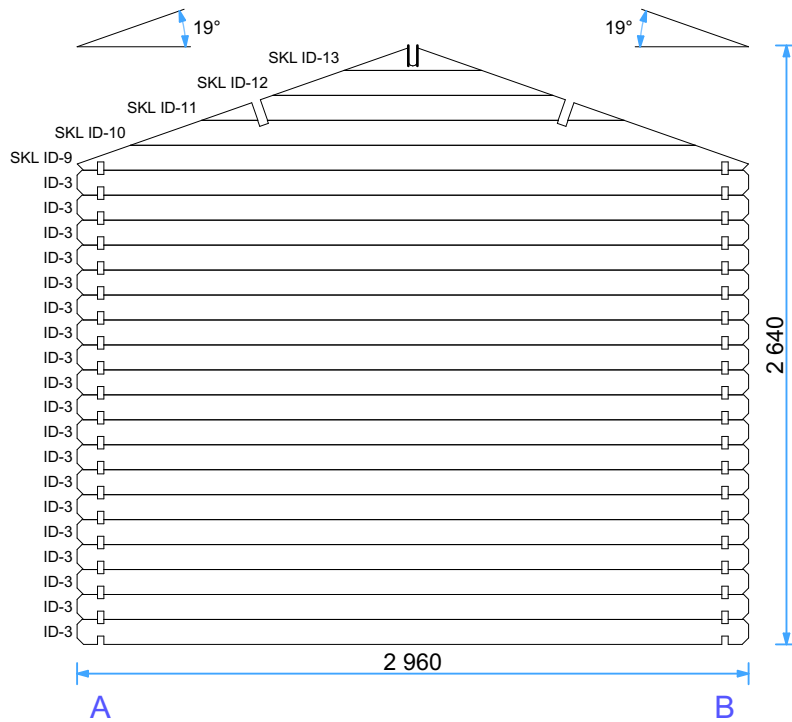
| | | | | | | | |
|----------------|------|------|------|---|--------------|---|---|
| WB-4 | 200 | 19 | 19 | 2 | Windboard |  |  |
| H-prof-1 | 2100 | 66 | 90 | 1 | H profile |  |  |
| COL-1 | 1950 | 70 | 100 | 1 | Column |  |  |
| SB | 1980 | 16 | 40 | 5 | Storm braces |  |  |
| Doors - Double | | 1500 | 1785 | 1 | DVVD ST-UZ |  | R |

Pallet 3110 1

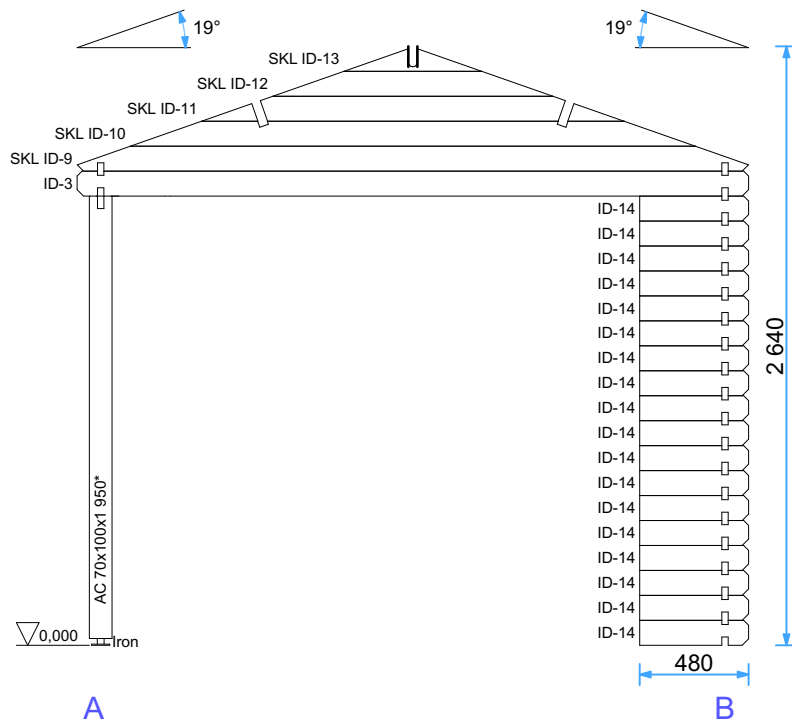
| | | | | |
|---|--|---|--|--|
| 5 x 90 mm  x 11 | 2 x 50 mm  x 370 | 3 x 20 mm  x 12 | 5 x 120mm  x 16 | M6  x 11 |
| 4 x 40mm  x 106 | WRO 50  x 2 | 15x57+40x40BZN  x 6 | AH9213  x 1 | M6  x 22 |
| 5 x 40mm  x 4 | 5 x 70 mm  x 6 | 6 x 60  x 5 | 6 x 40  x 6 | M8  x 4 |
| | 7,5 x 92 mm  x 4 | 60 x 60  x 1 |  x 6 | |
|  x 6 | | | | |

Die Wandabwicklung

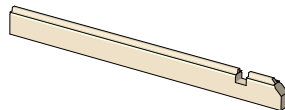
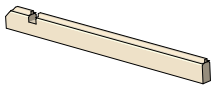
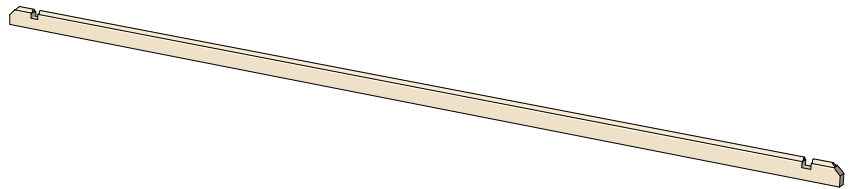
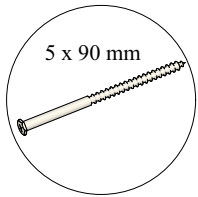
C, D



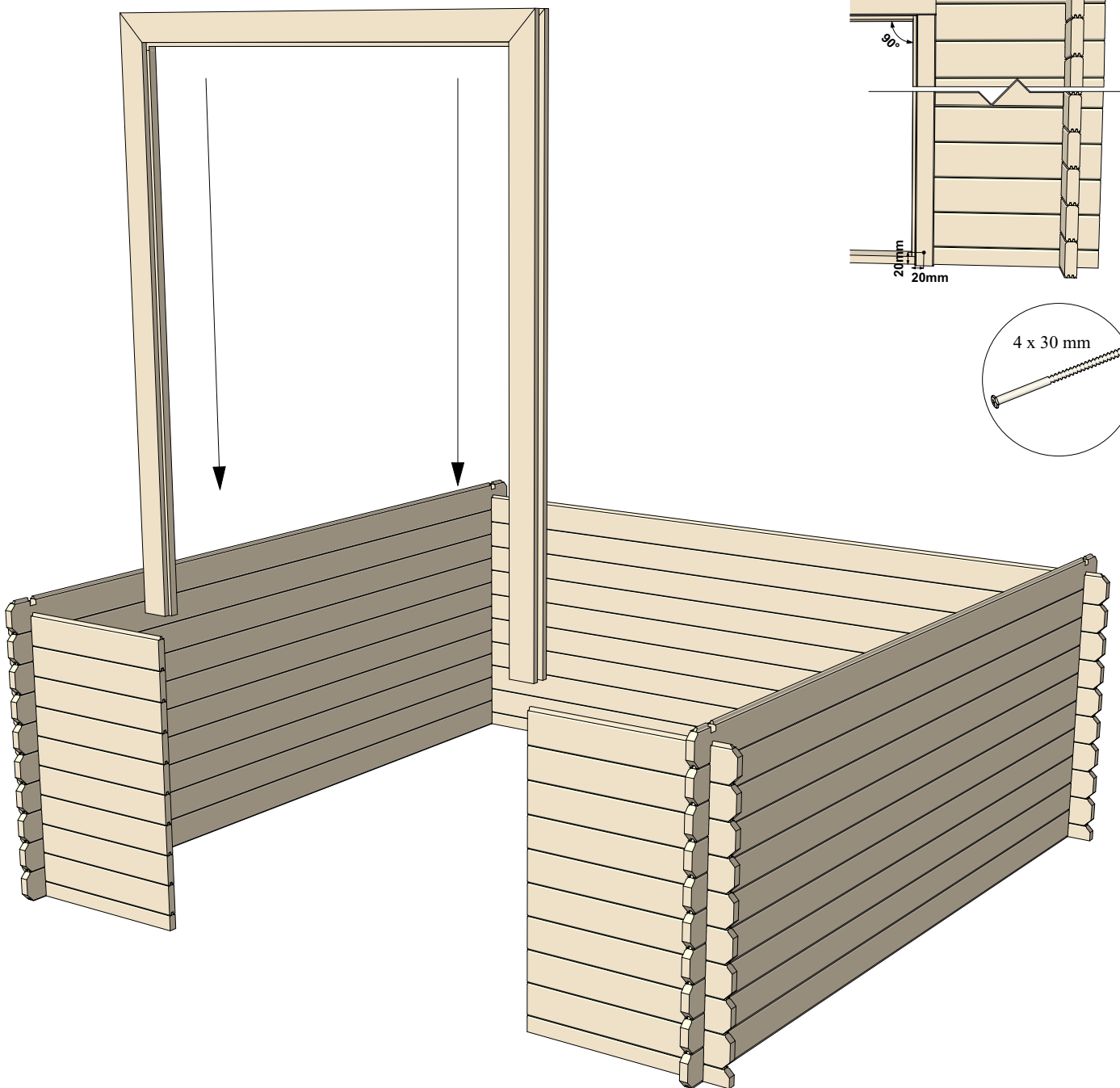
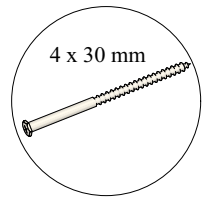
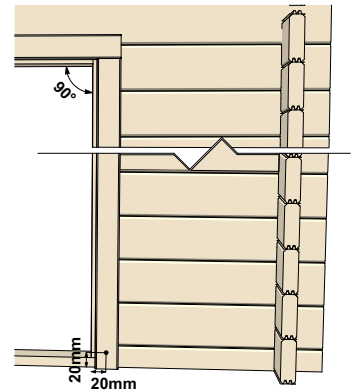
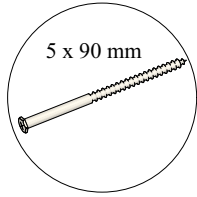
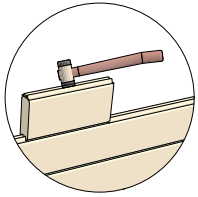
E



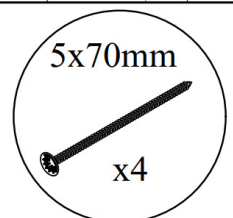
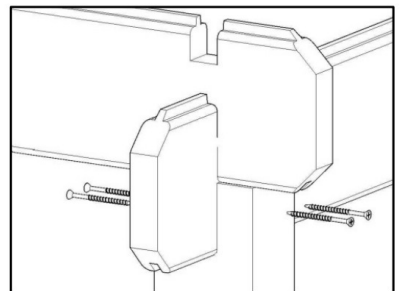
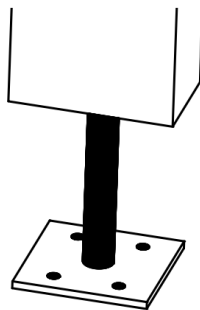
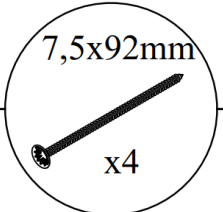
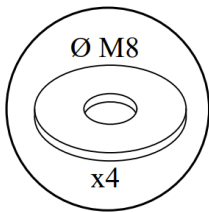
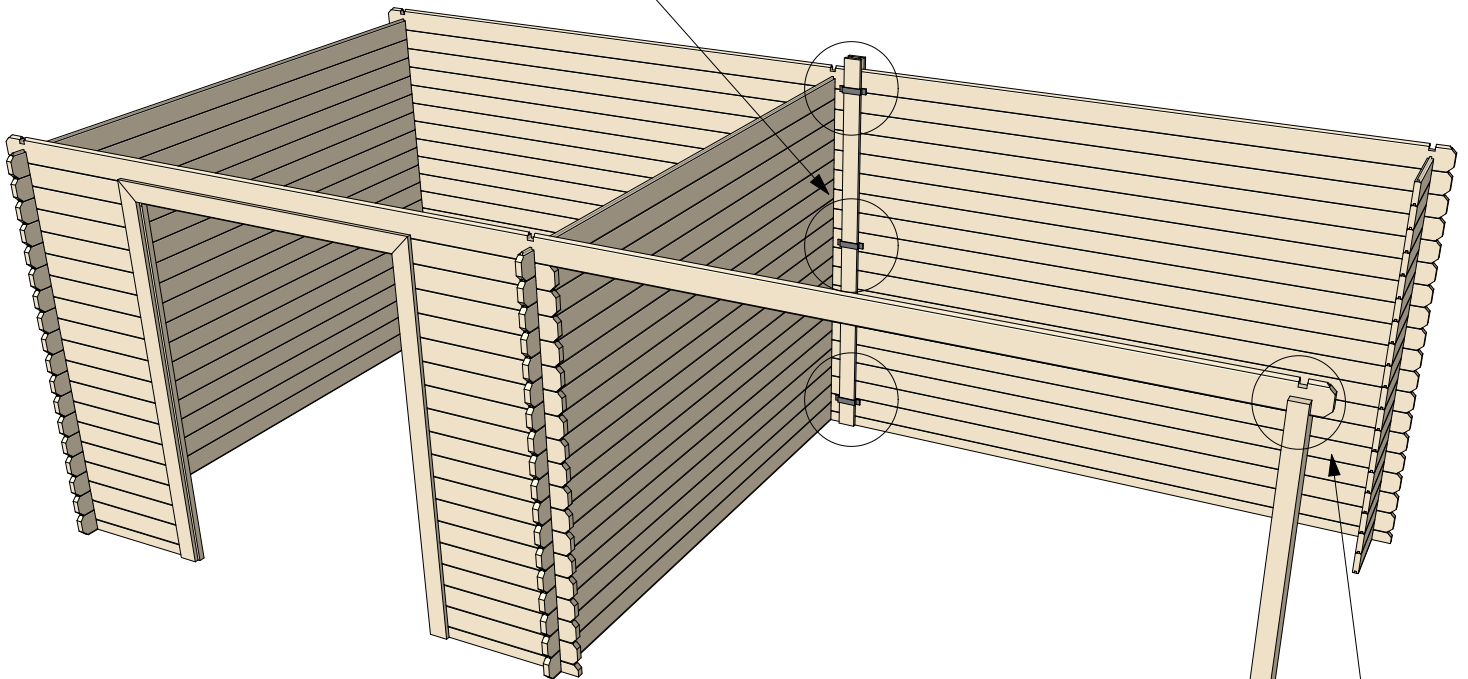
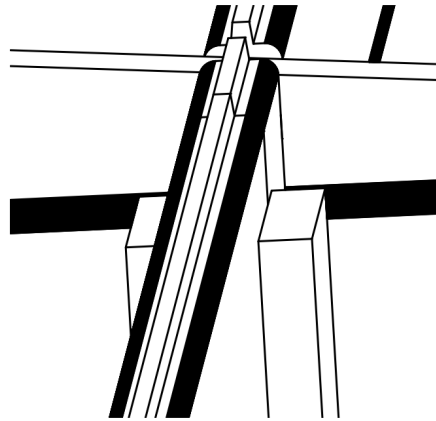
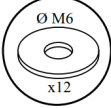
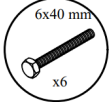
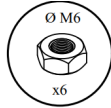
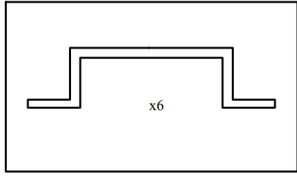
Einbau der unteren Bohlen



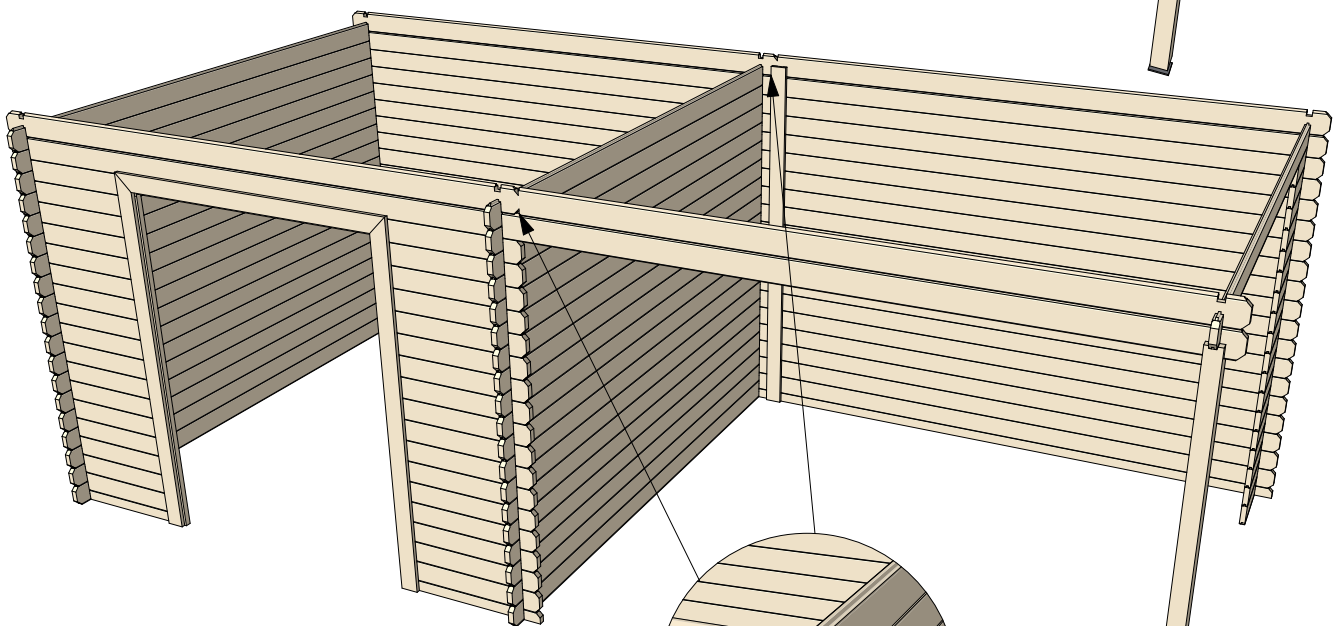
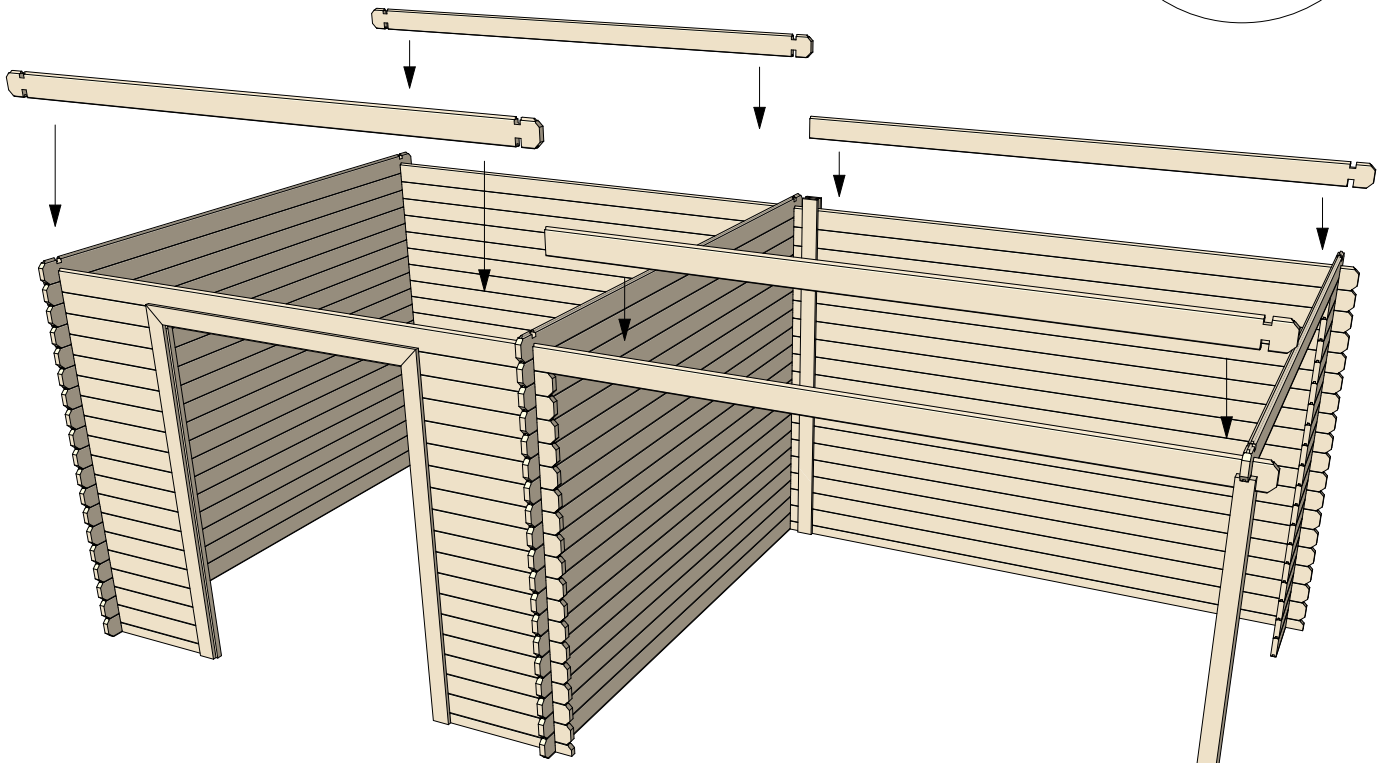
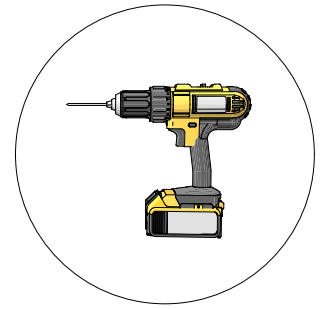
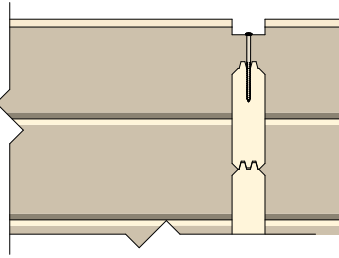
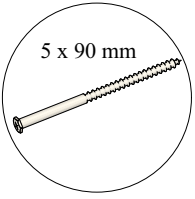
Montage der Wände / Montage des Türrahmens



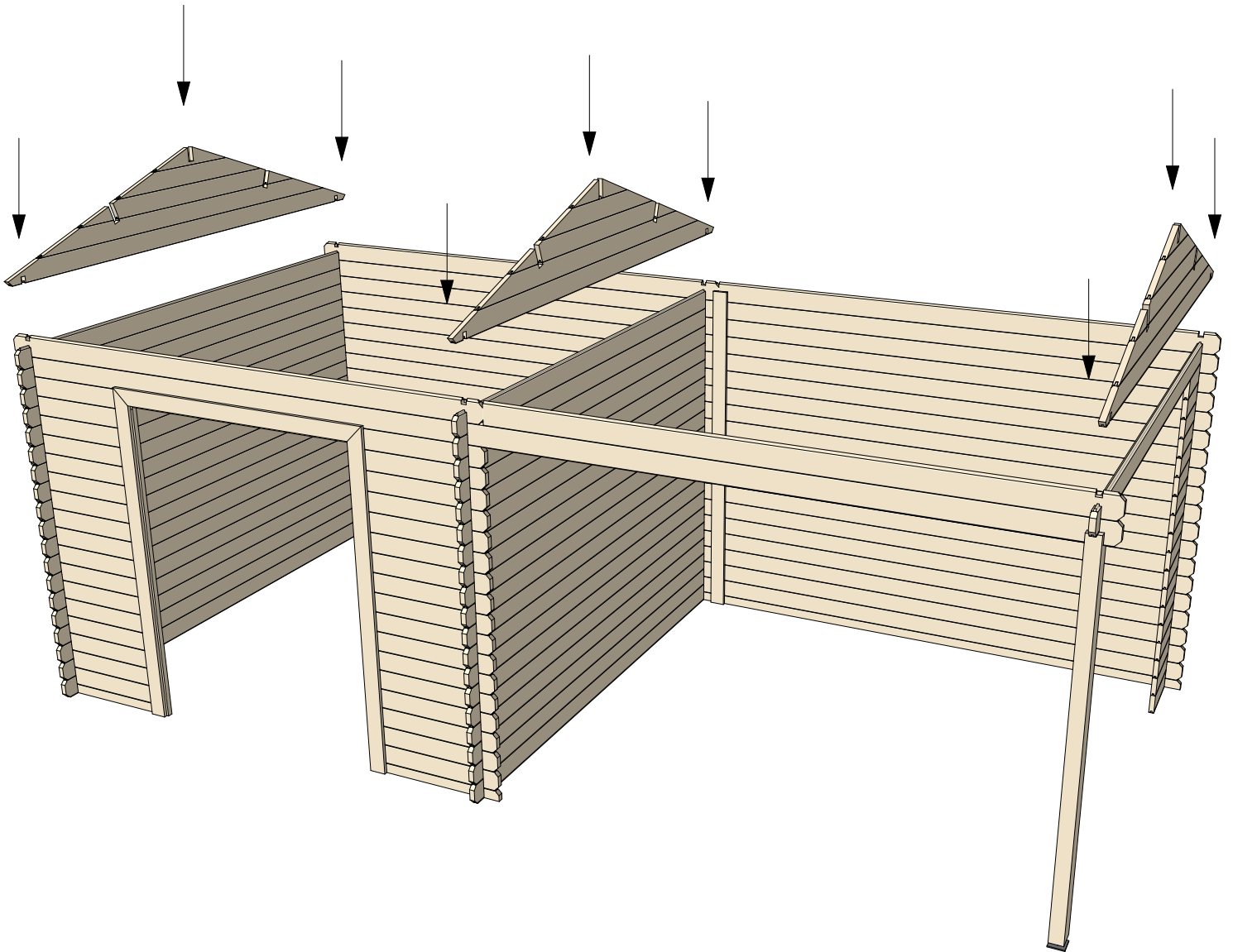
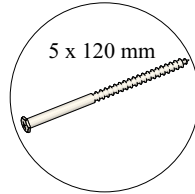
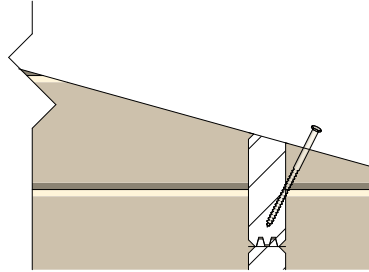
Montage des Anbaus



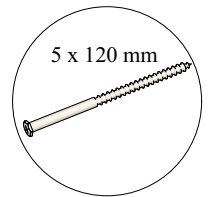
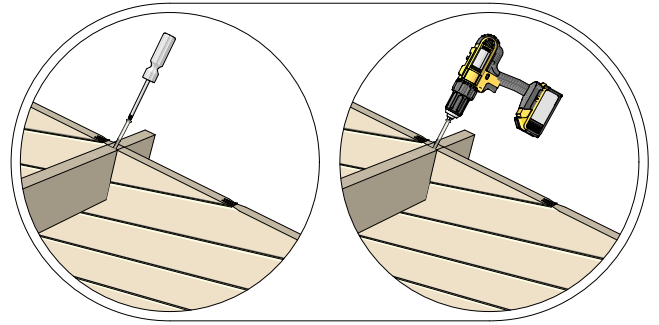
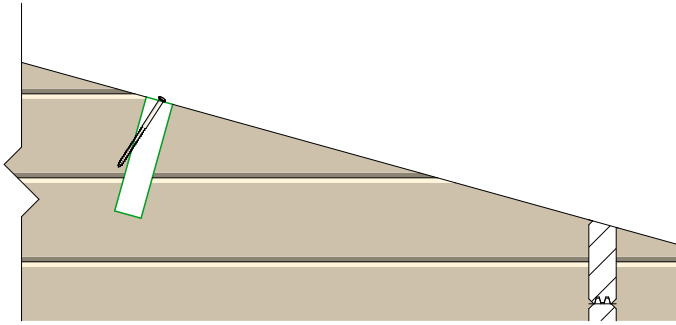
Montage der oberen Blockbohlen



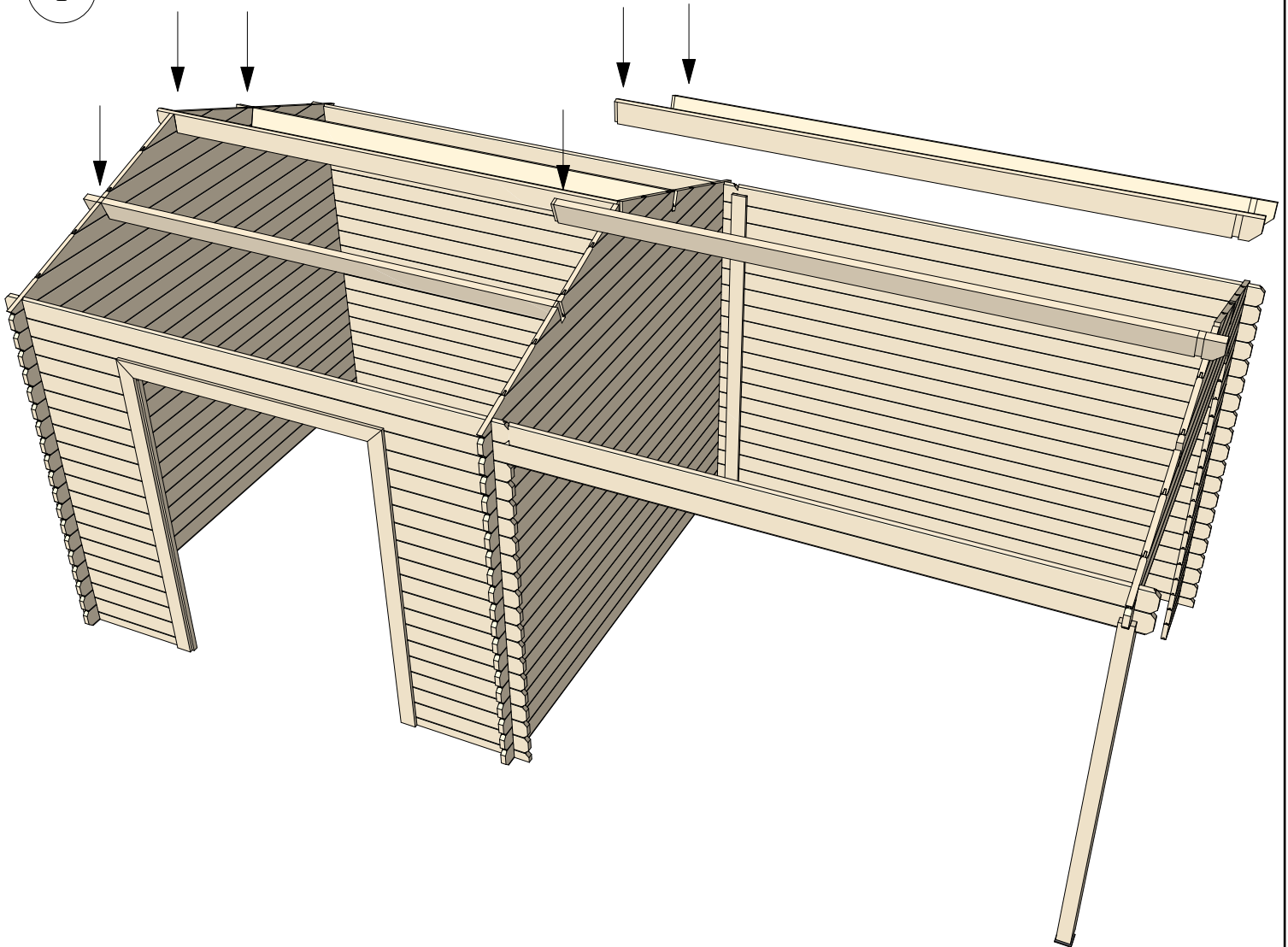
Montage der Giebel



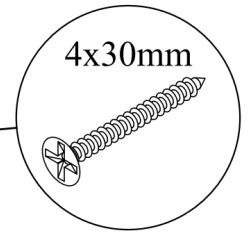
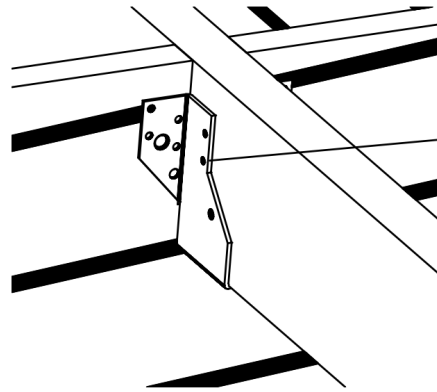
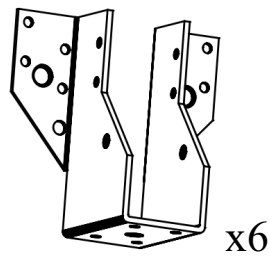
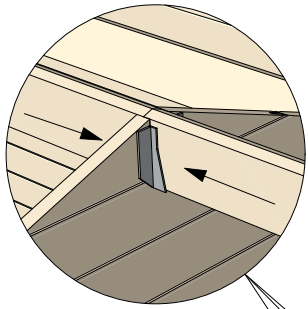
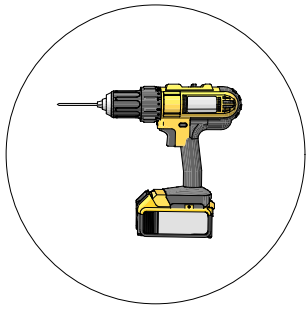
Befestigung von Dachsparren



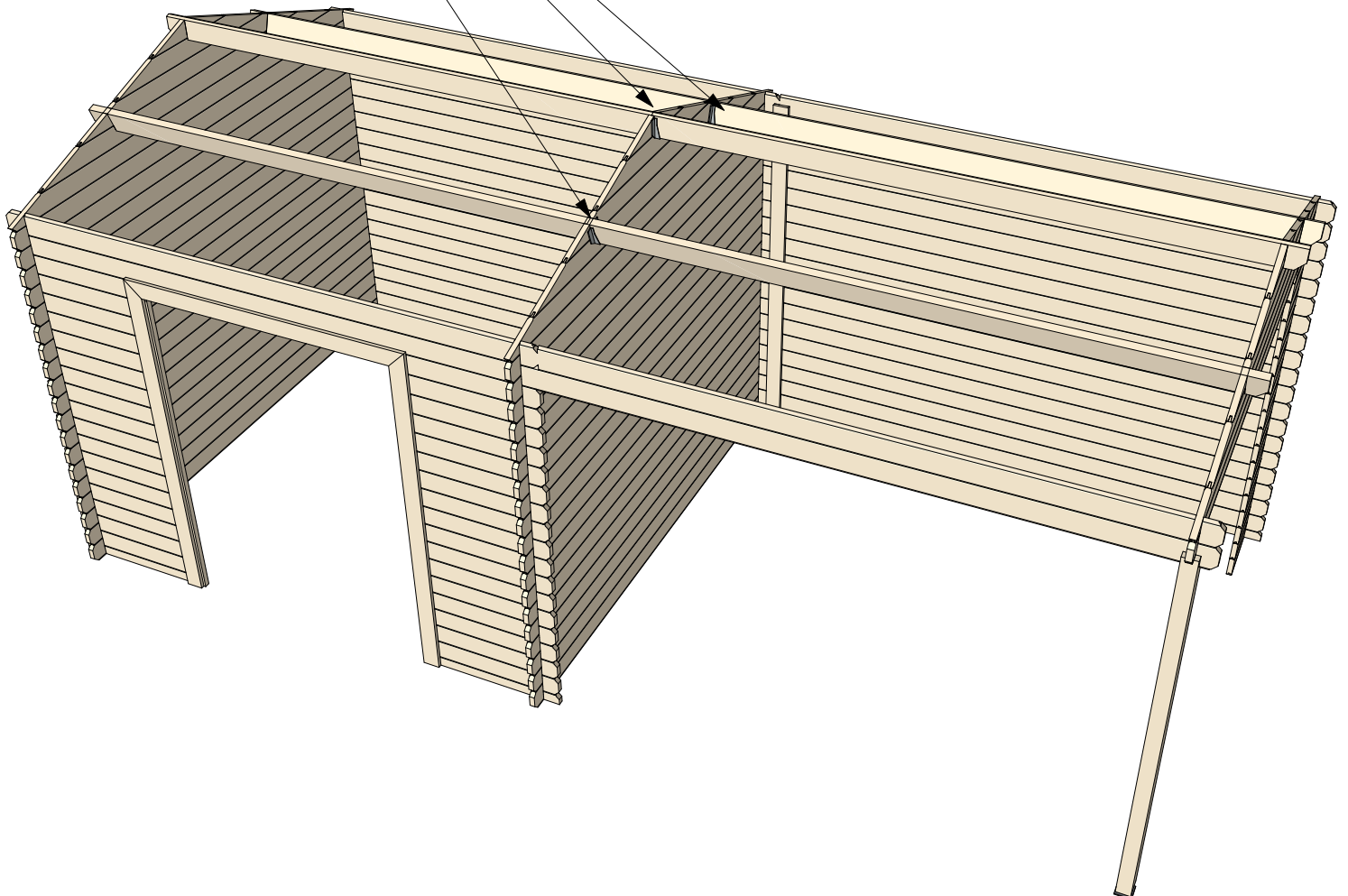
1



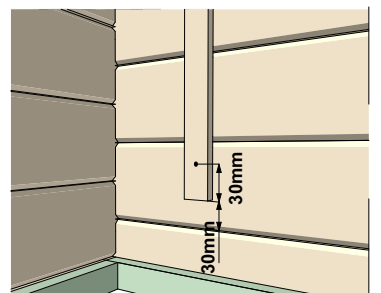
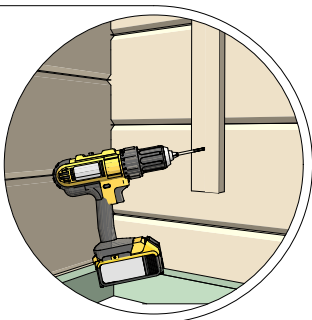
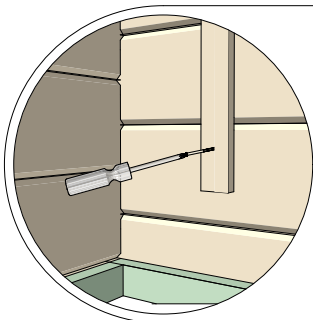
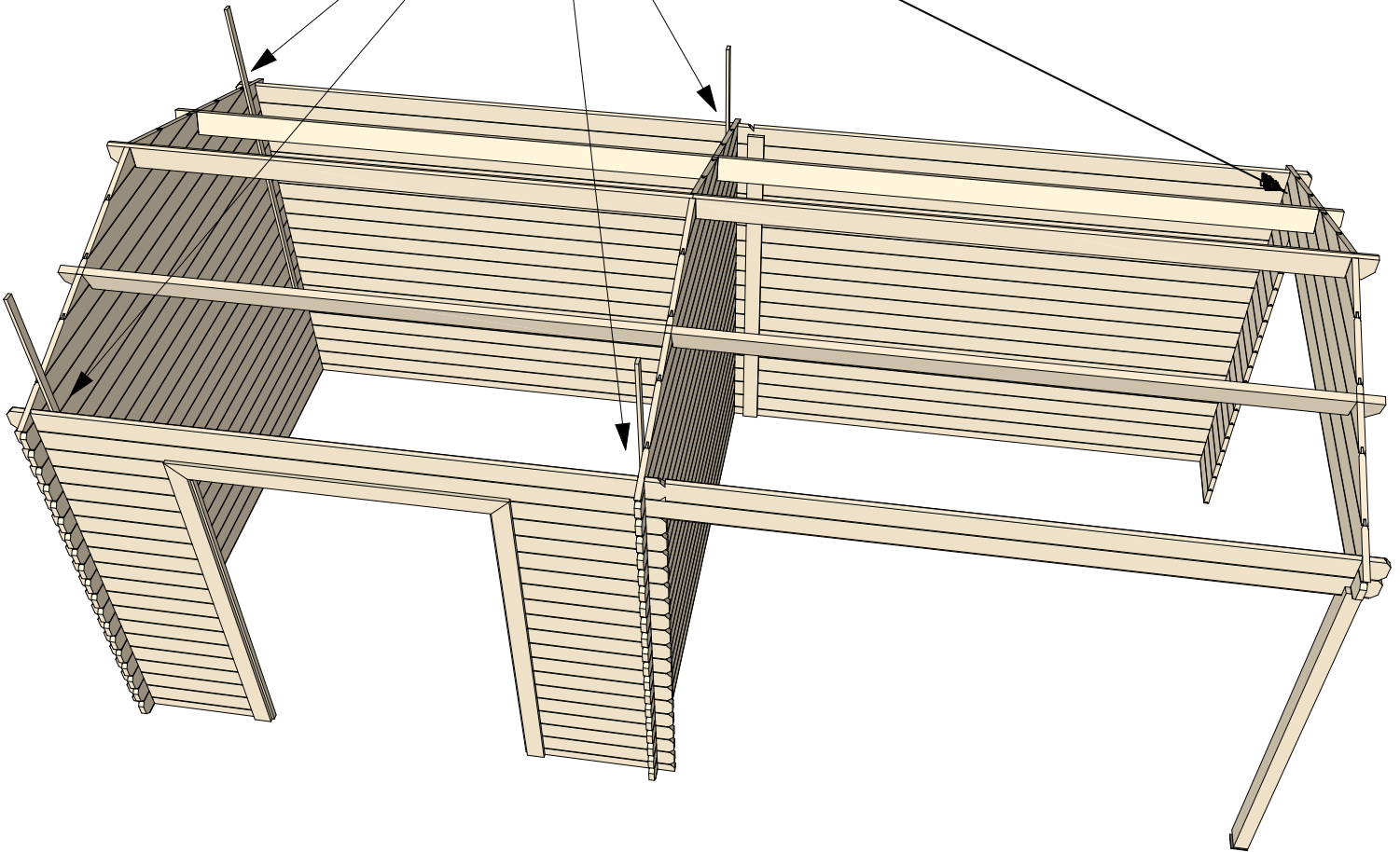
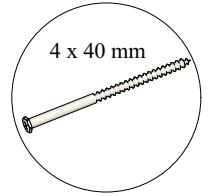
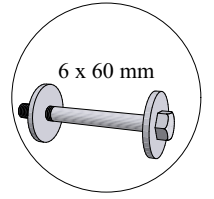
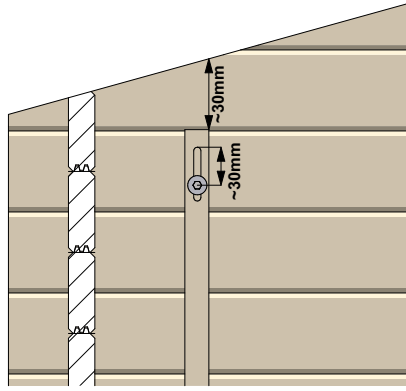
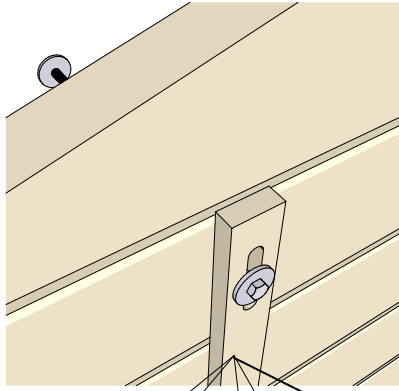
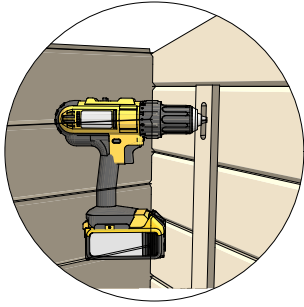
Befestigung von Dachsparren



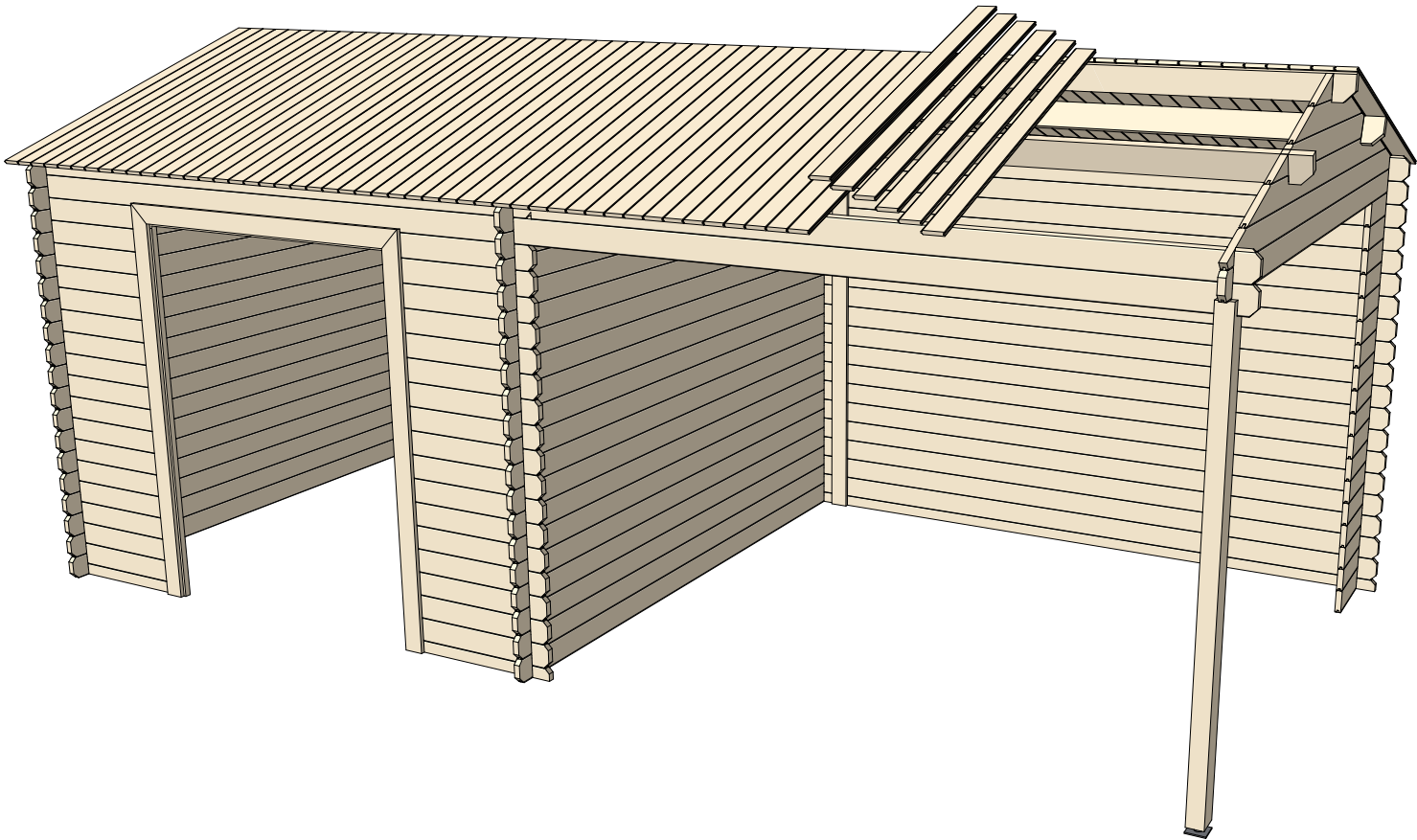
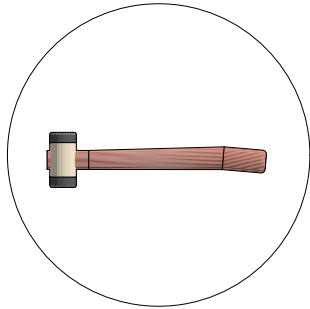
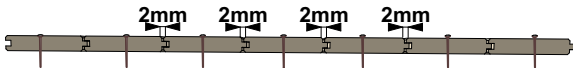
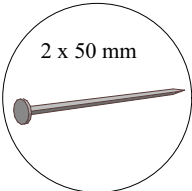
2



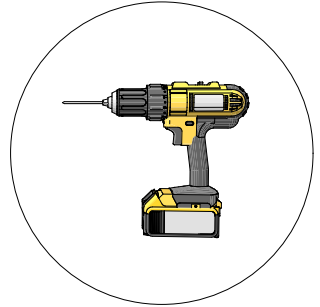
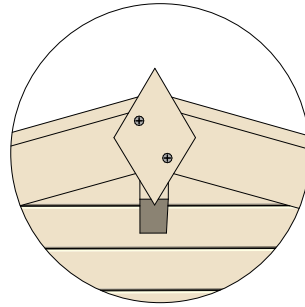
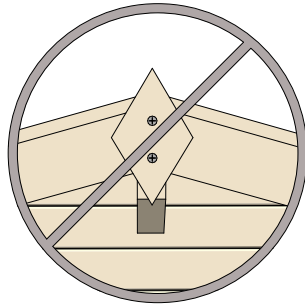
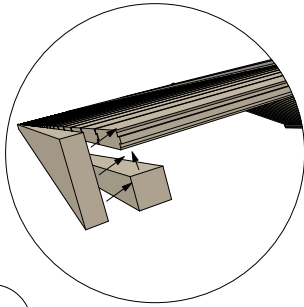
Montage der Sturmsicherung



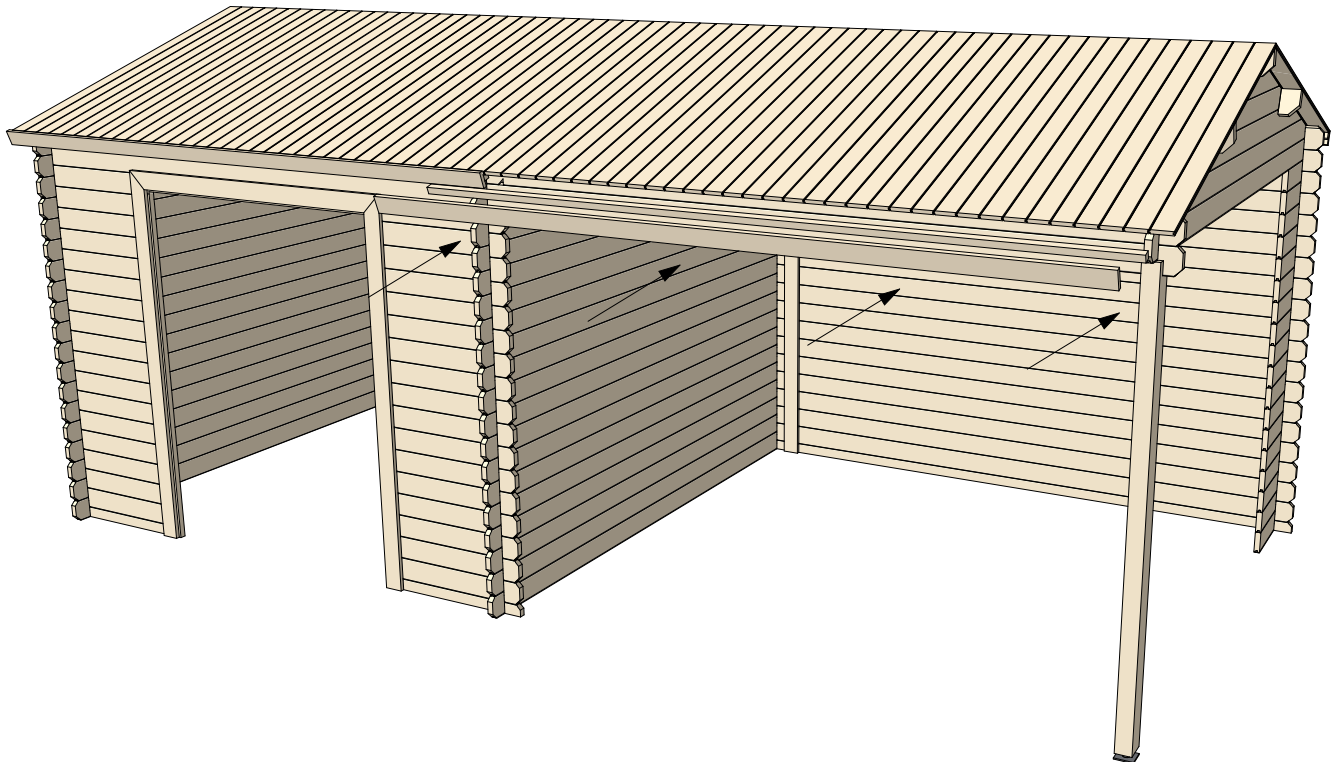
Montage der Dachbretter



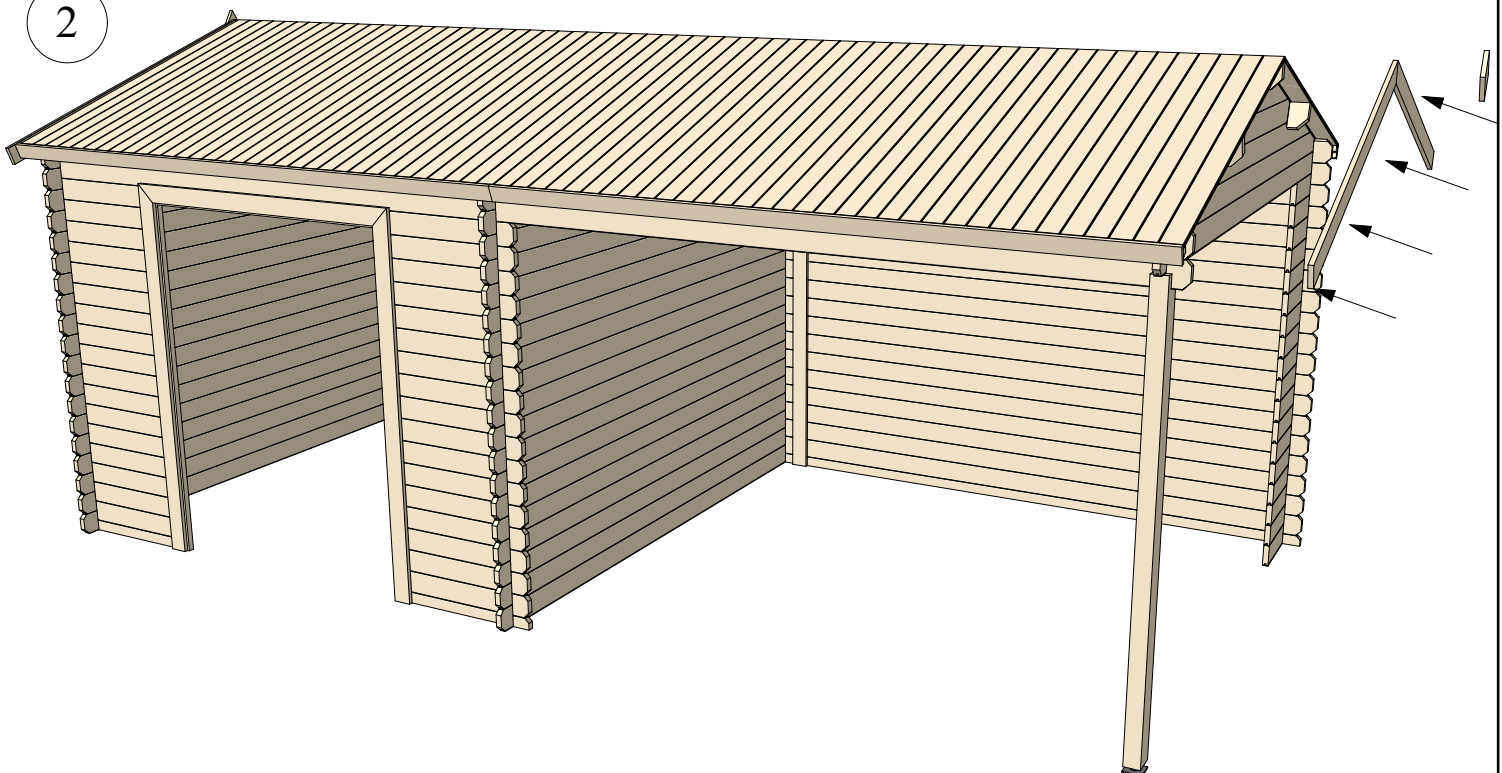
Windbretter, Giebel- und Traufblende



1

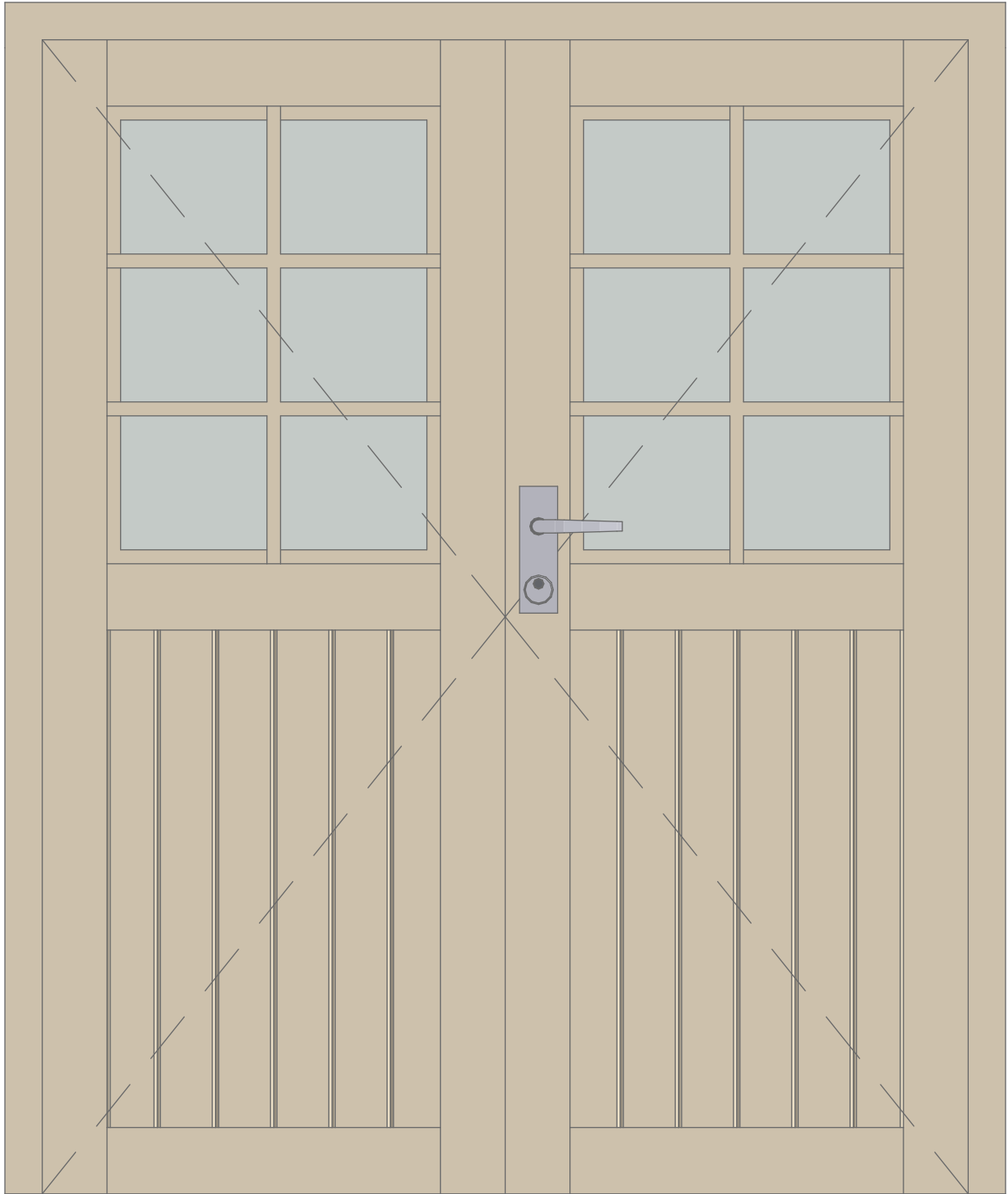


2



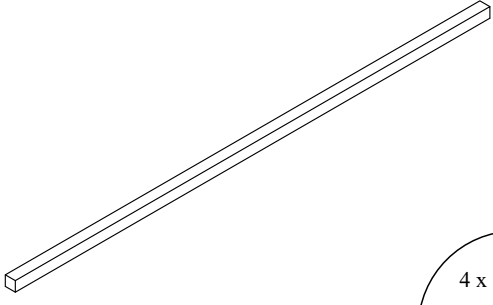
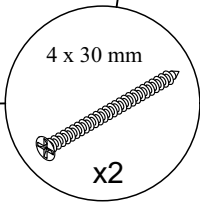
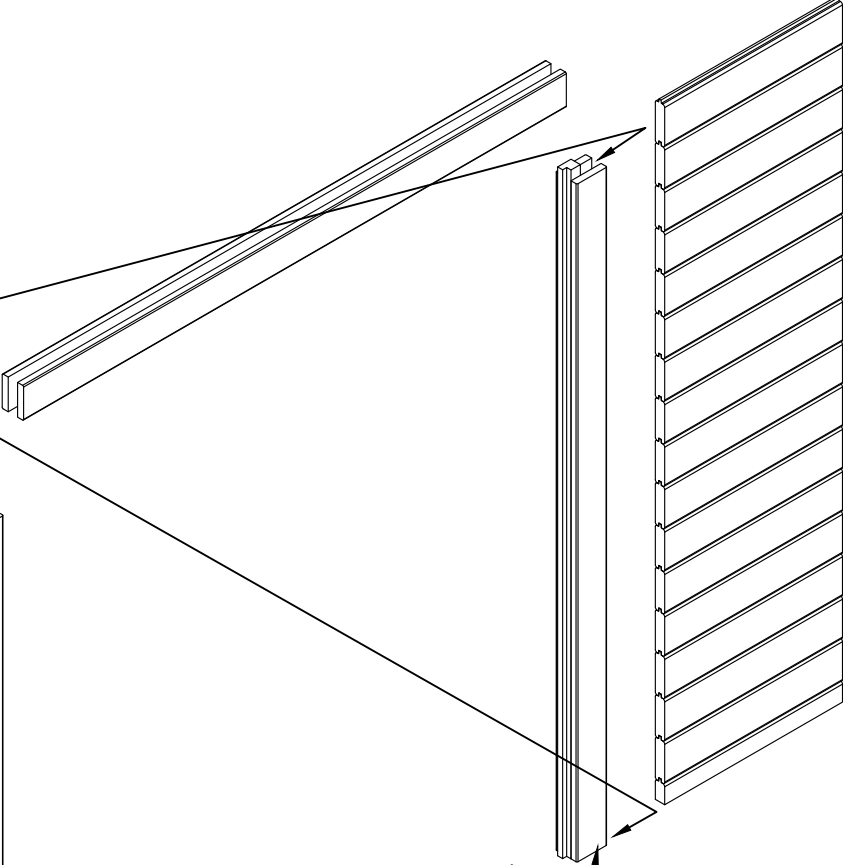
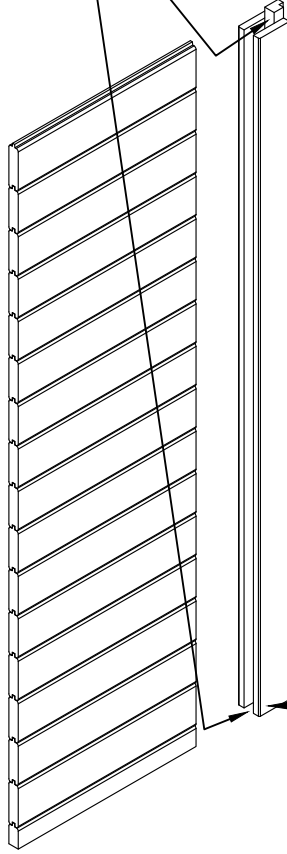
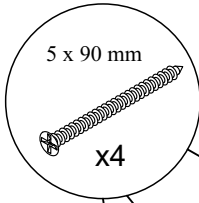
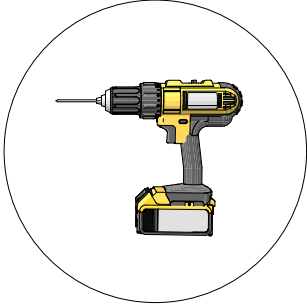
Einbau von Türen

1 500

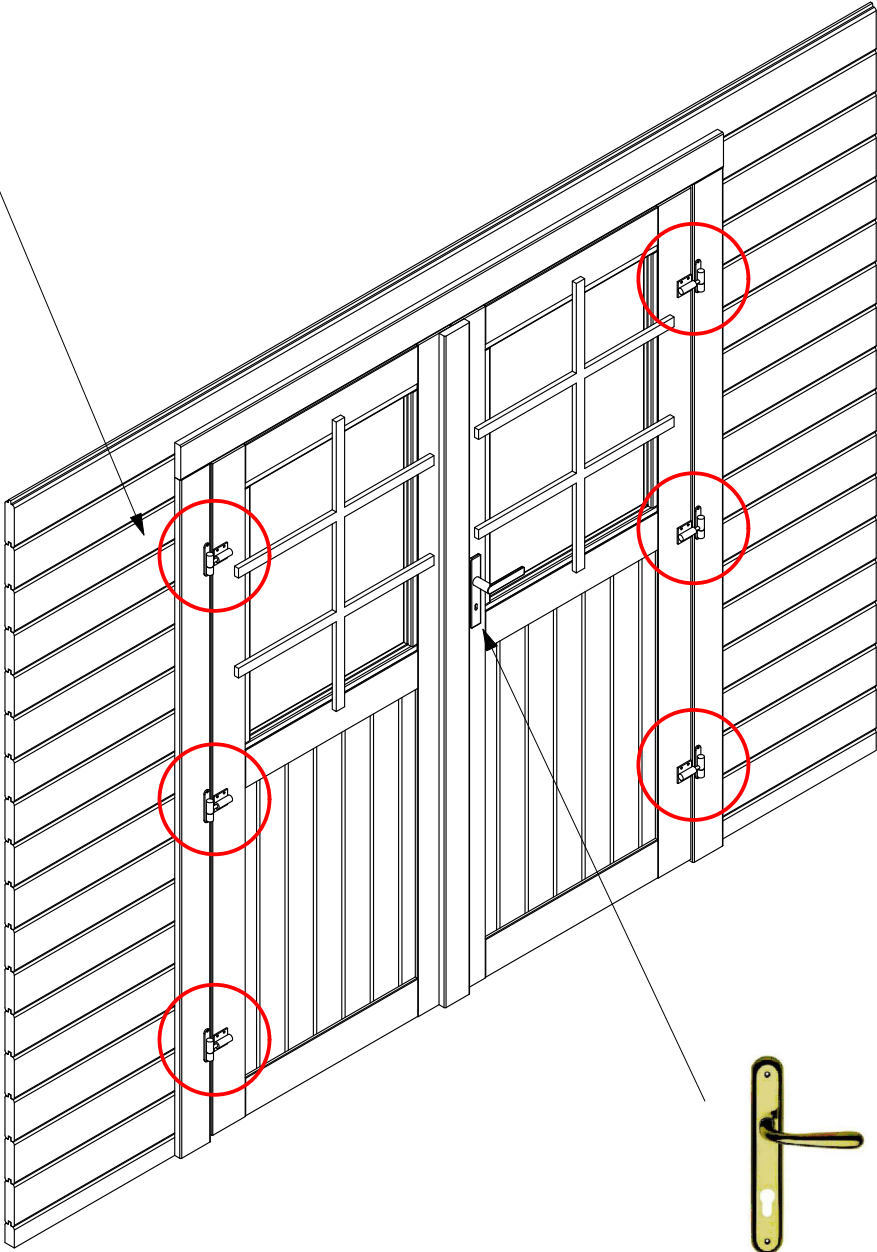
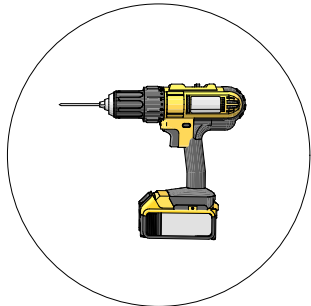
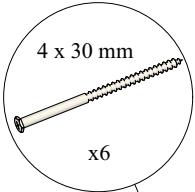


1 785

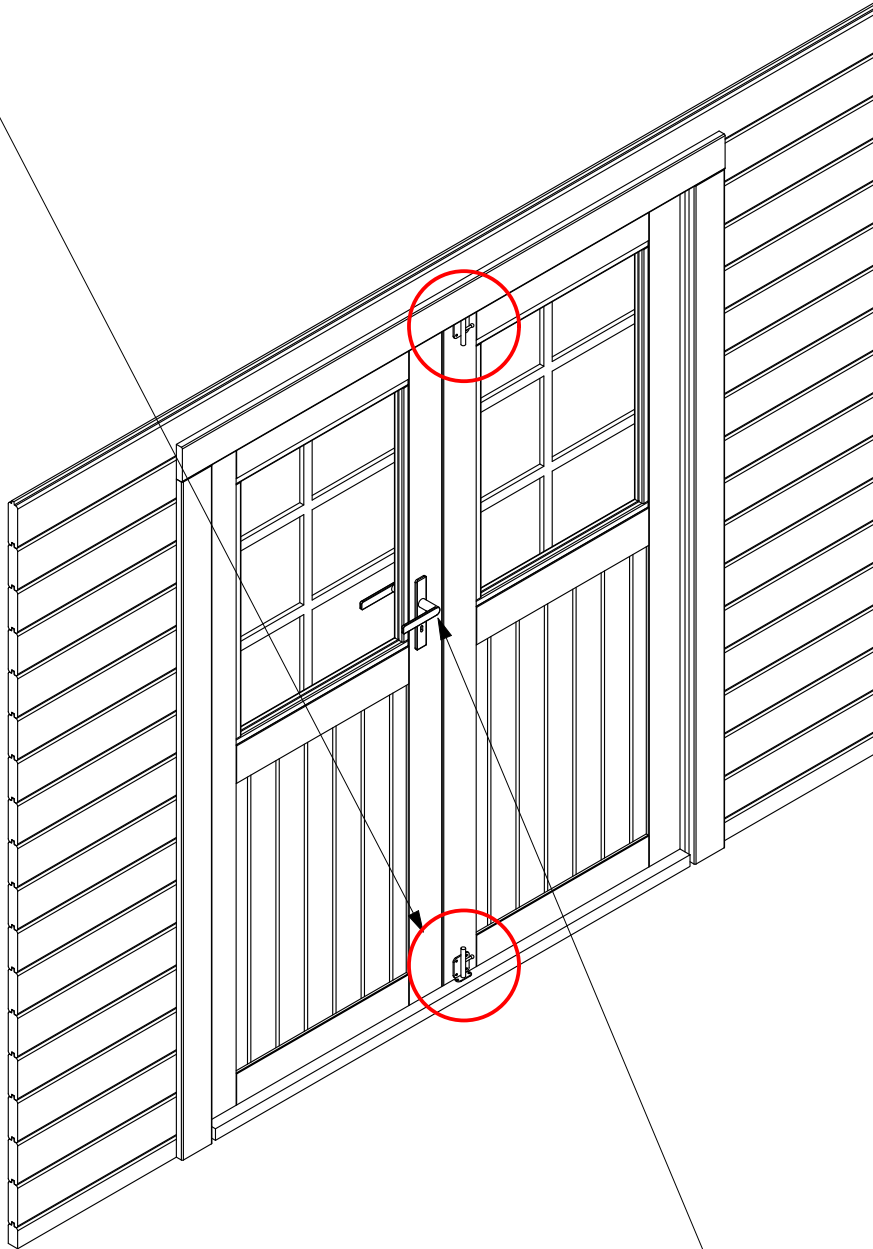
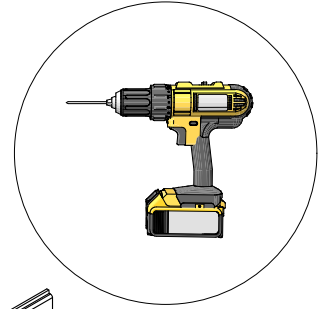
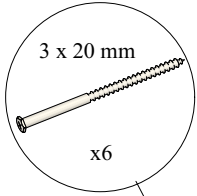
Beispiel für die Türmontage



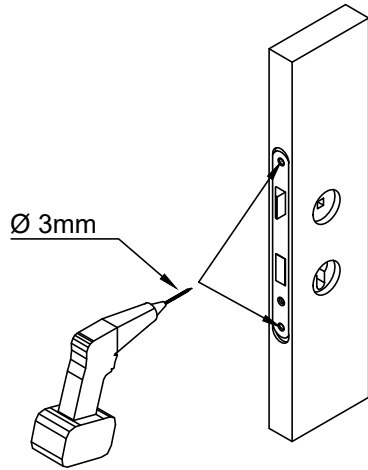
Beispiel für die Türmontage von außen (Außenansicht)



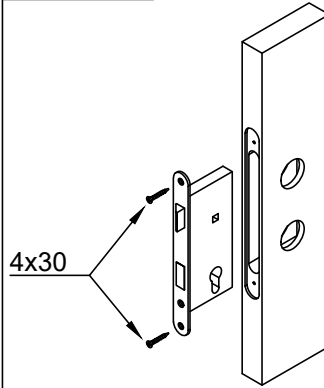
Beispiel für die Türmontage von innen (Innenansicht)



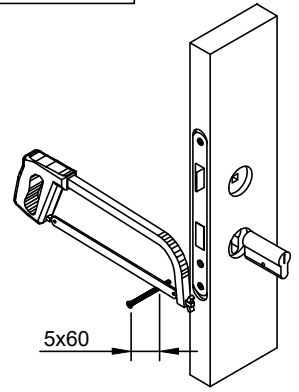
1



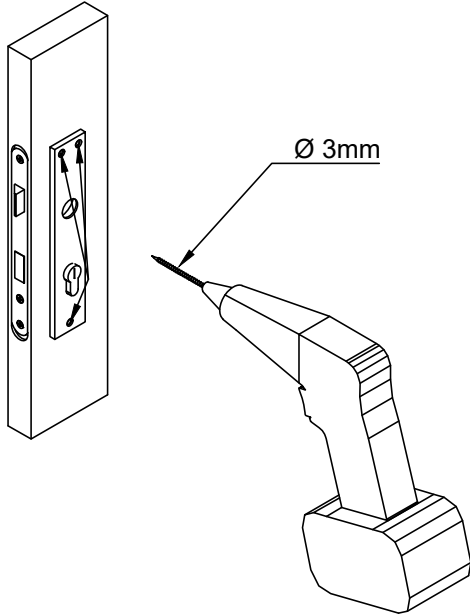
2



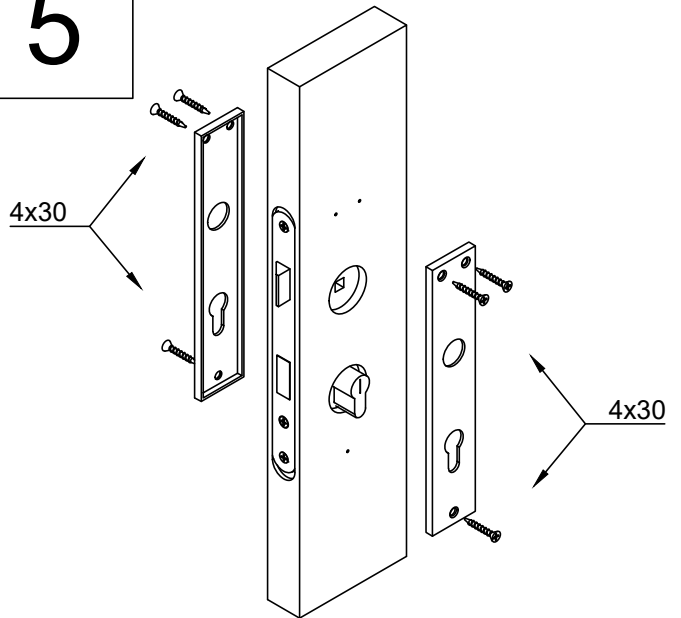
3



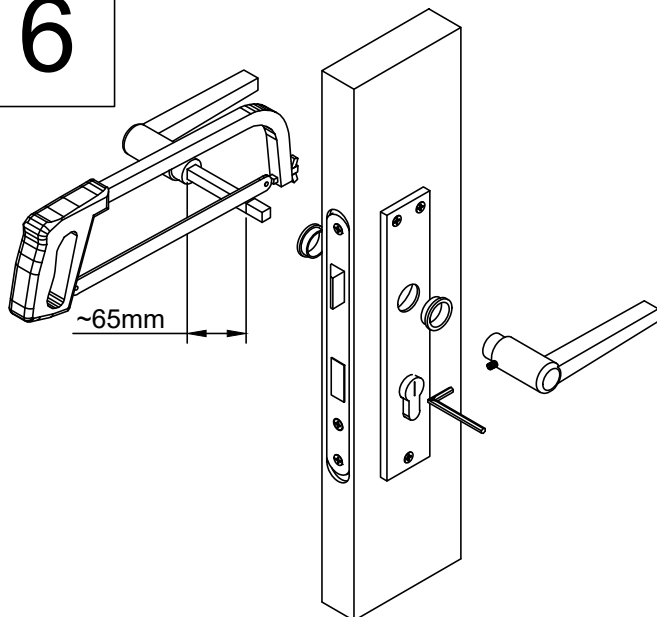
4



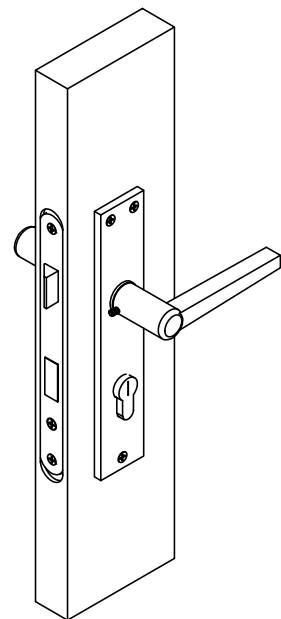
5



6

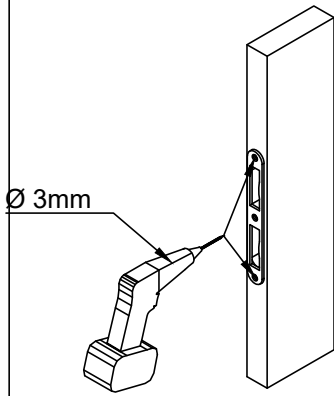


7



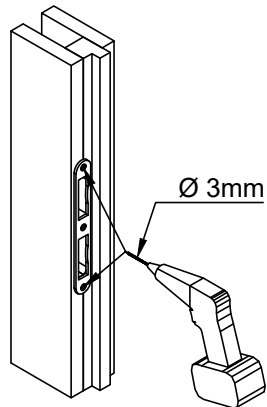
8.1

Double doors
Doppelflügeltüren
Portes doubles



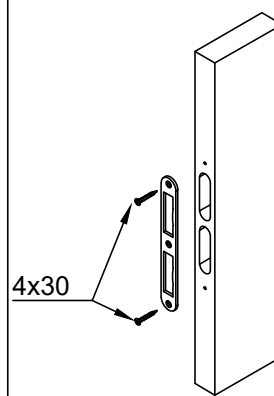
8.2

Single doors
Einflügeltür
Porte simple



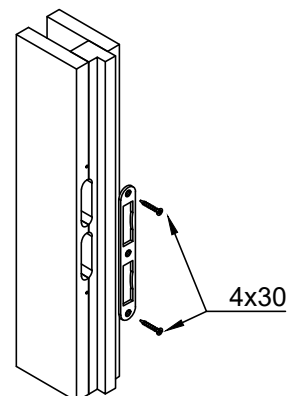
9.1

Double doors
Doppelflügeltüren
Portes doubles



9.2

Single doors
Einflügeltür
Porte simple



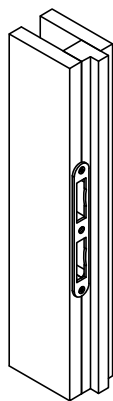
10.1

Double doors
Doppelflügeltüren
Portes doubles



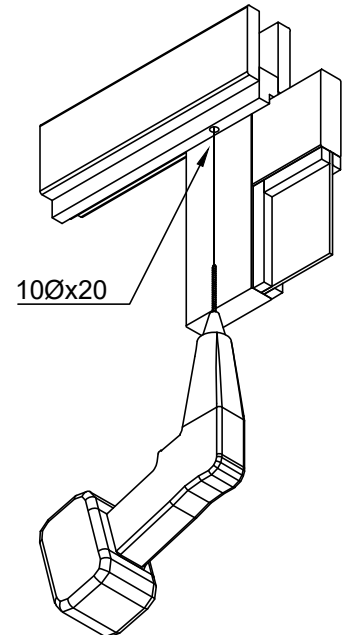
10.2

Single doors
Einflügeltür
Porte simple



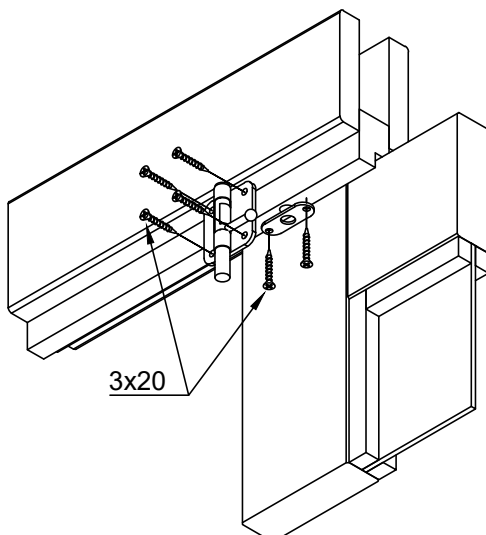
11

Double doors
Doppelflügeltüren
Portes doubles



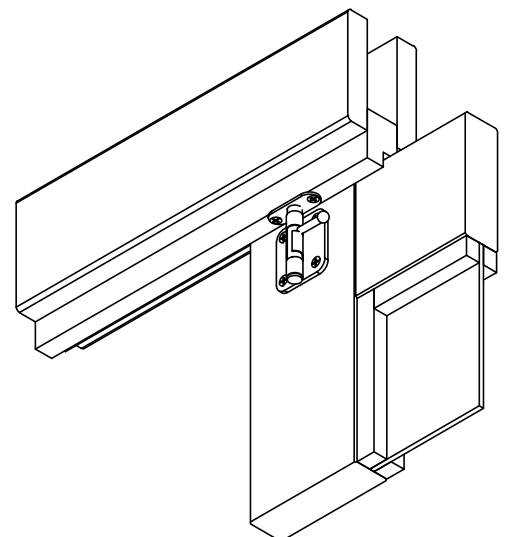
12

Double doors
Doppelflügeltüren
Portes doubles



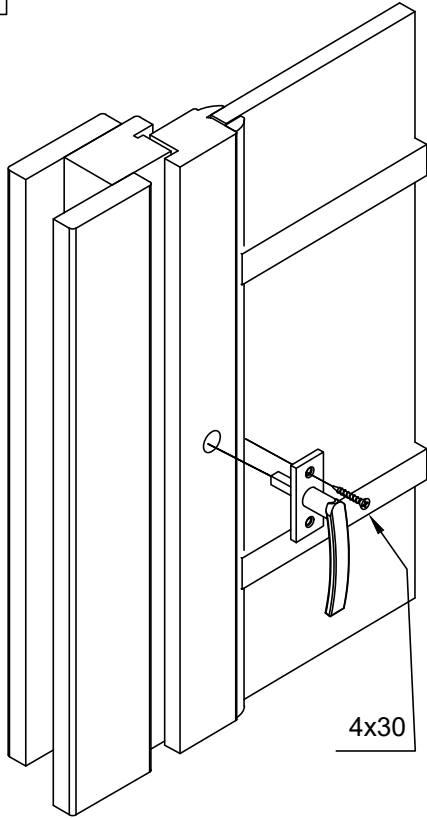
13

Double doors
Doppelflügeltüren
Portes doubles

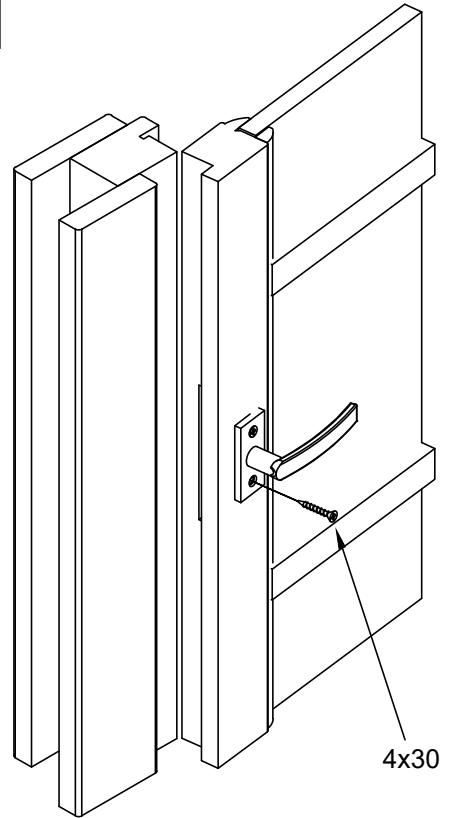


1

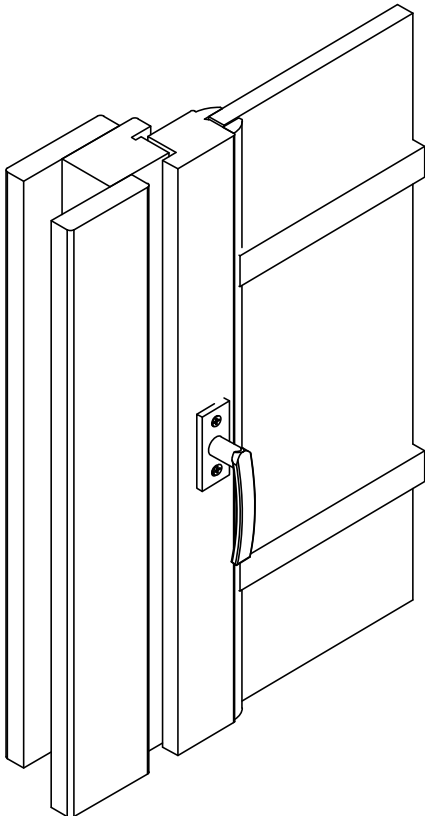
If available / falls verfügbar / si disponible



2

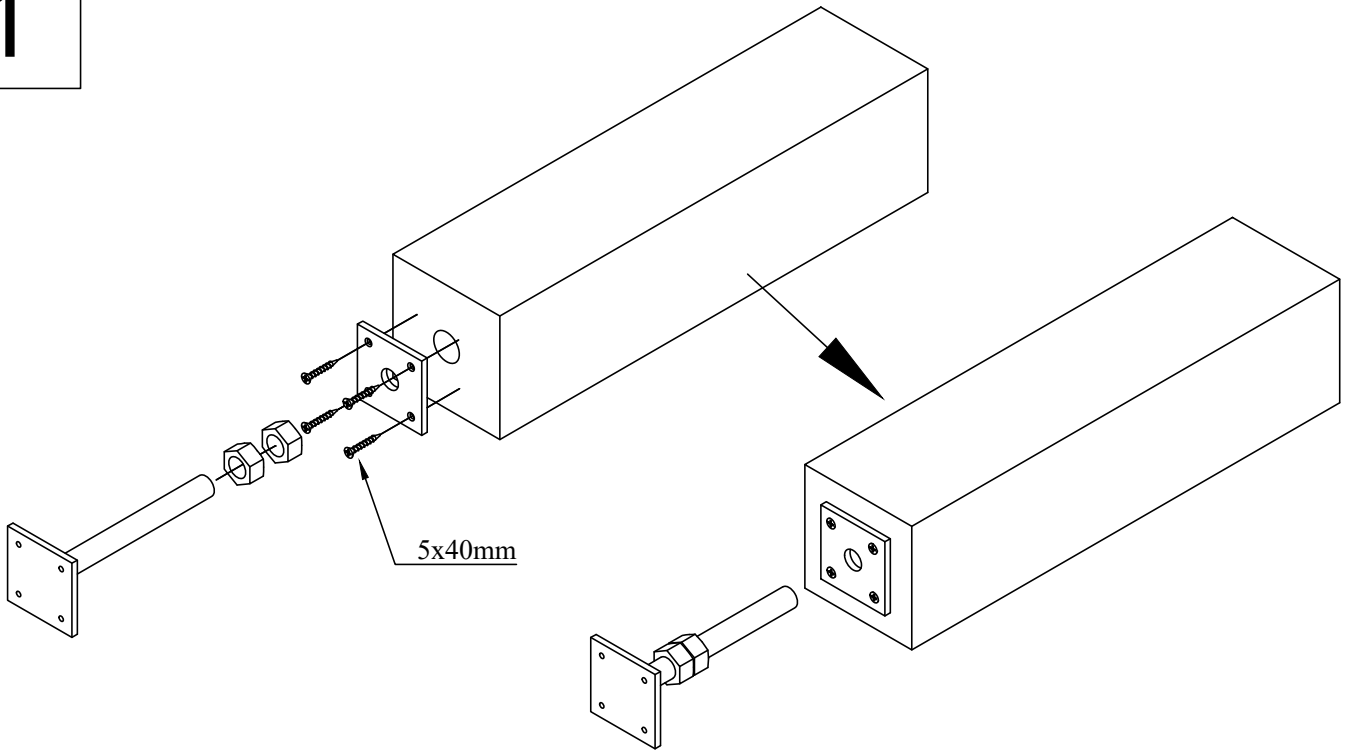


3



If available / falls verfügbar / si disponible

1



2

