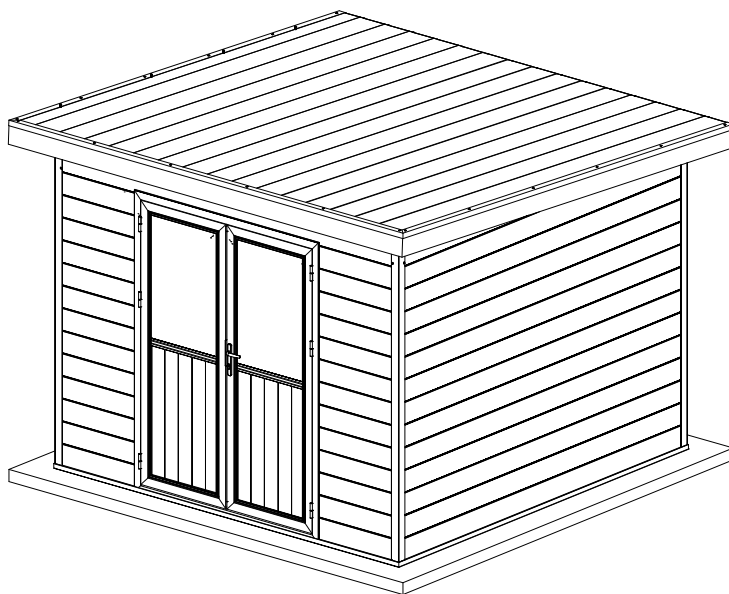
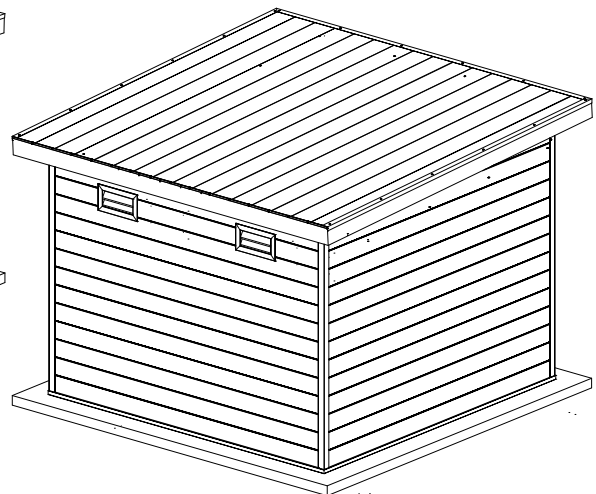
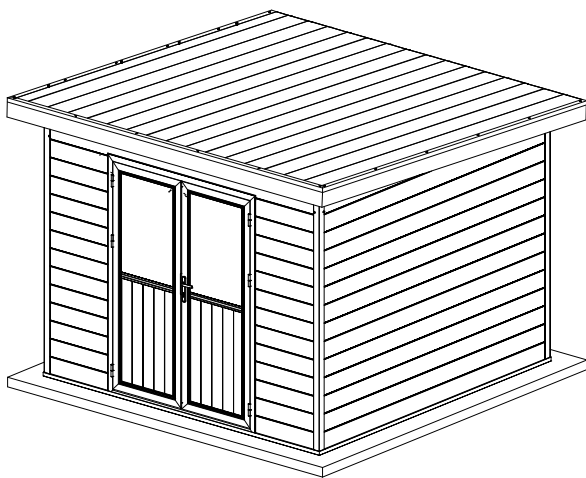
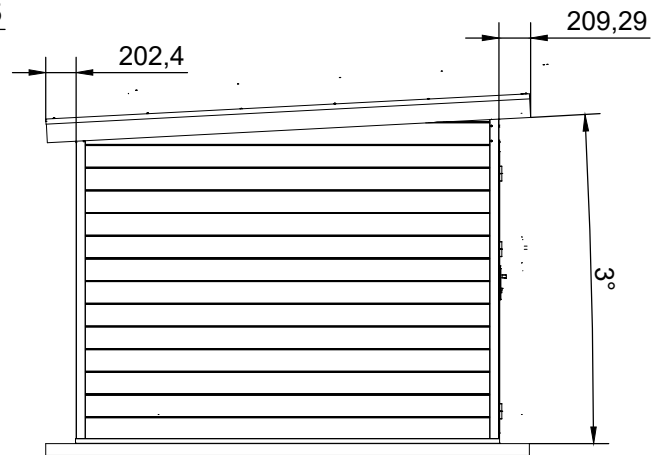
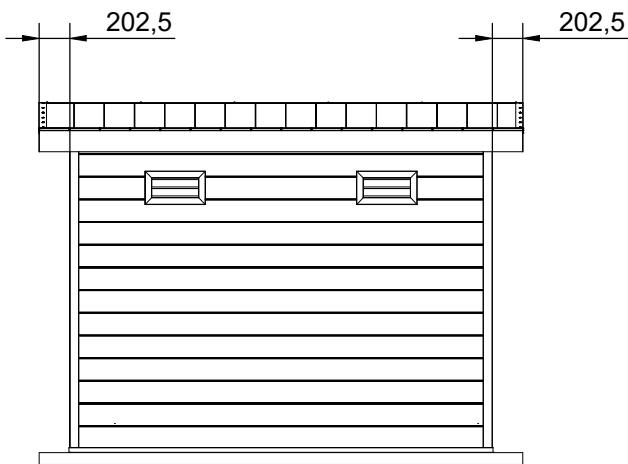
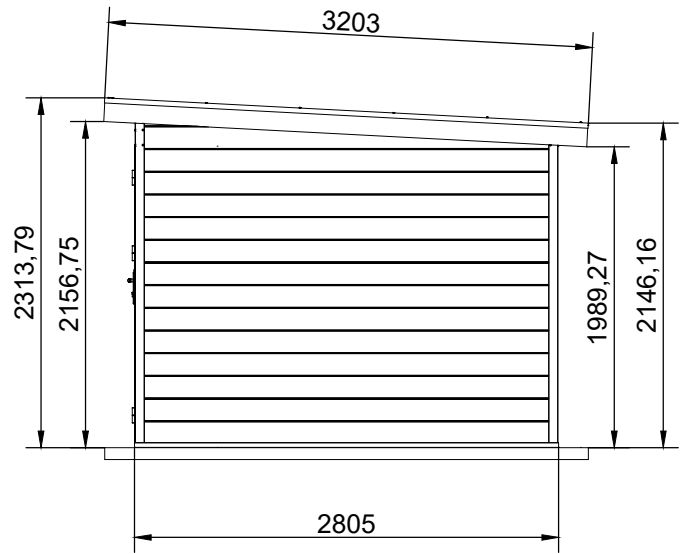
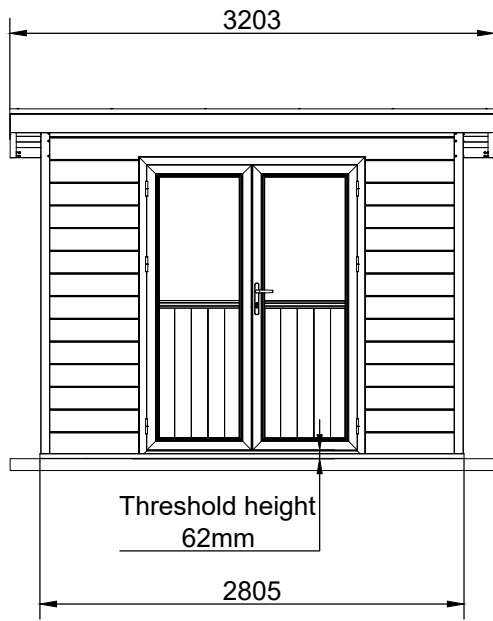


WPC GARDEN SHEDS INSTALLATION MANUAL FOR XF-H006

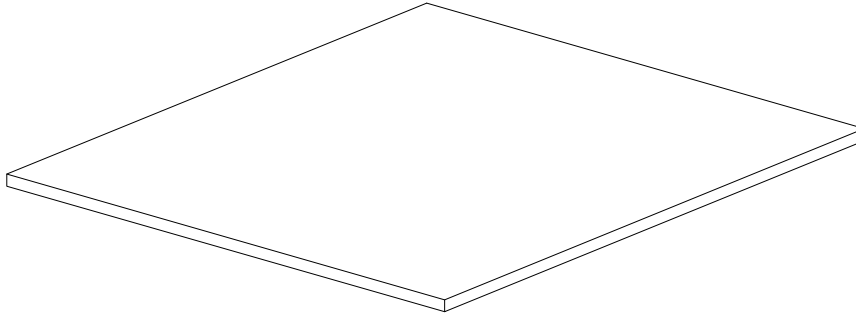


APPEARANCE & SIZE :

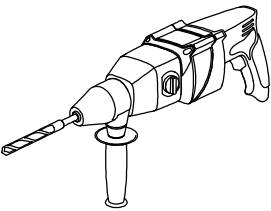
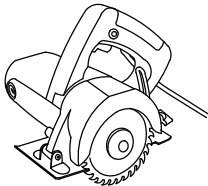
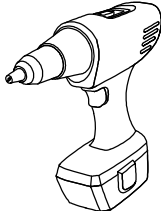
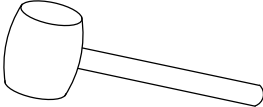
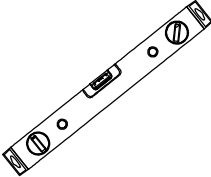
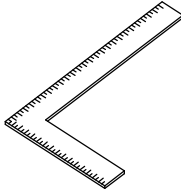
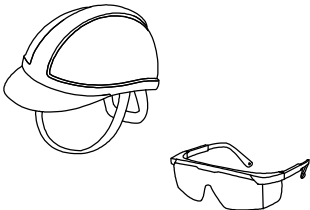
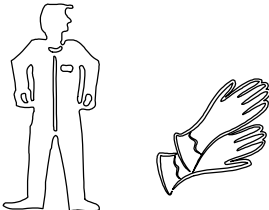
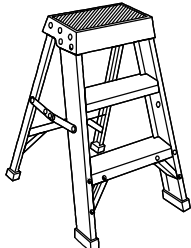


Installation Requirement :

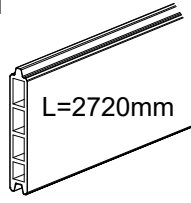
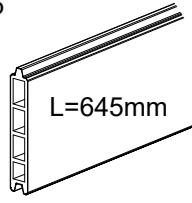
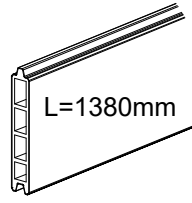
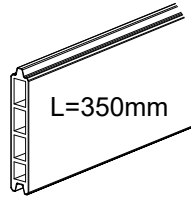
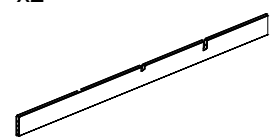
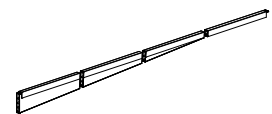
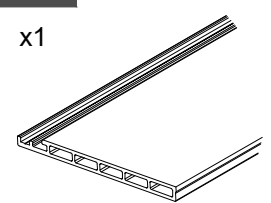
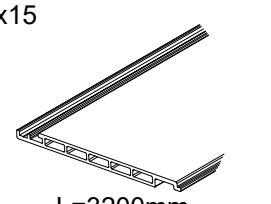
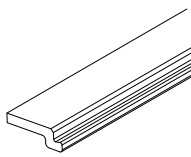
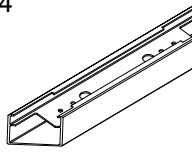
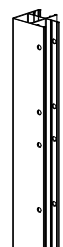
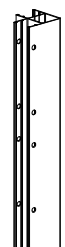


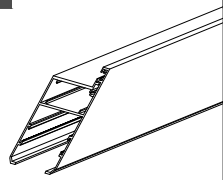
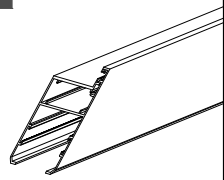
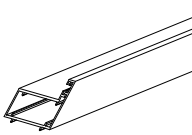
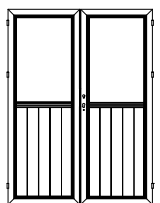
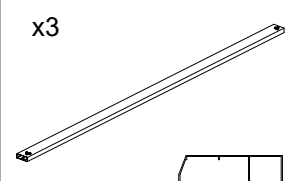
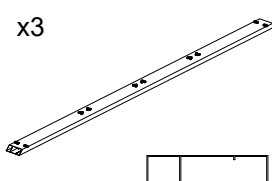
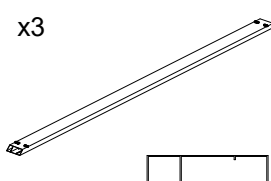
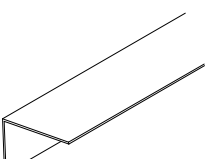
When do the assembling of a garden shed, a hard and flat ground without slope is needed. Please also make sure that the installation site has a good ventilation and drainage condition.



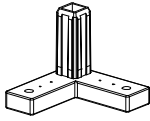
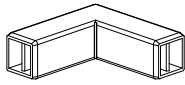
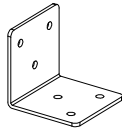
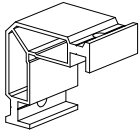

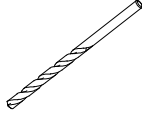
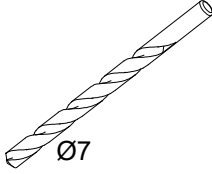
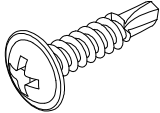
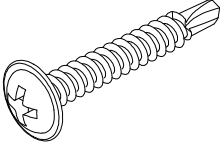
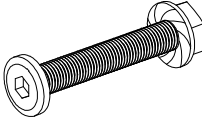


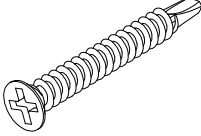
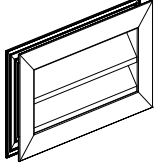
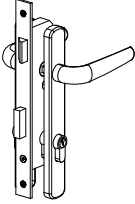
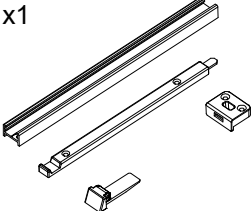
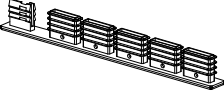
When dealing with any type of construction project, it is necessary to wear appropriate safety equipment to avoid any risk of injuries. We recommend but not only limited to the following safety equipment when handling, cutting, and installation : gloves, eye protector, respirator, long sleeves and pants.

<p>Impact electric drill</p> 	<p>Cutting machine</p> 	<p>Electric screwdriver</p> 
<p>Tape & Hammer</p> 	<p>Levelling Instrument</p> 	<p>L-square</p> 
<p>Safety helmet & Goggles</p> 	<p>Work clothes, gloves & protective shoes</p> 	<p>Ladder</p> 

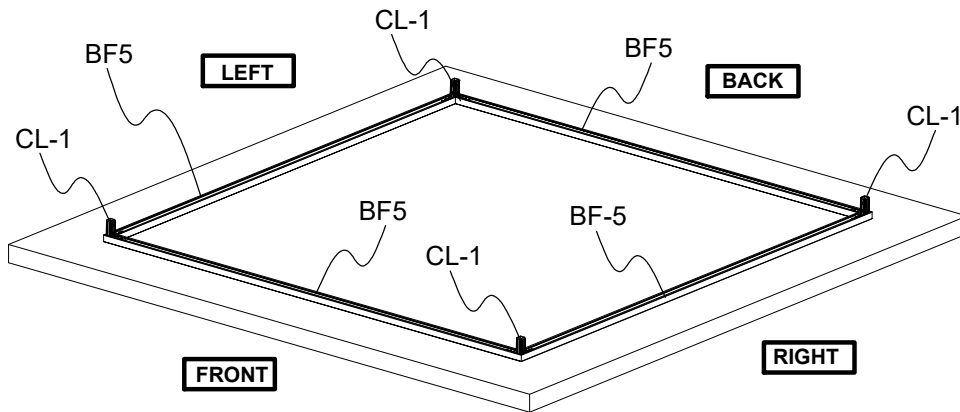
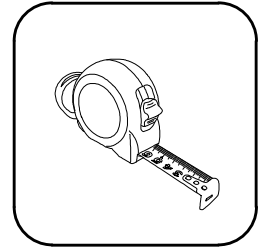
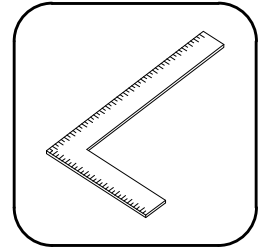
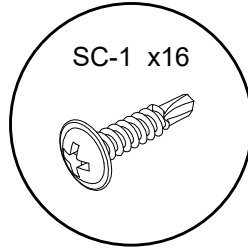
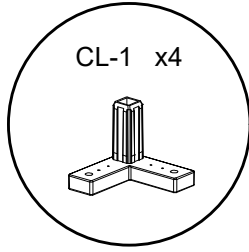
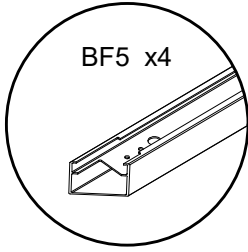
List of components

<p>WP11</p> <p>x41</p>  <p>L=2720mm</p>	<p>WP12</p> <p>x26</p>  <p>L=645mm</p>	<p>WP13</p> <p>x1</p>  <p>L=1380mm</p>	<p>WP9</p> <p>x2</p>  <p>L=350mm</p>
<p>WP14</p> <p>x2</p>  <p>L=2720mm</p>	<p>WP15</p> <p>x2</p>  <p>L=2720mm</p>	<p>TP4</p> <p>x1</p>  <p>L=3200mm</p>	<p>TP5</p> <p>x15</p>  <p>L=3200mm</p>
<p>TP6</p> <p>x1</p>  <p>L=3200mm</p>	<p>BF5</p> <p>x4</p>  <p>L=2805mm</p>		
<p>MF6</p> <p>x1</p> 	<p>MF7</p> <p>x1</p> 	<p>MF8</p> <p>x1</p> 	<p>MF9</p> <p>x1</p> 
<p>DF1</p> <p>x2</p>  <p>L=1965mm</p>	<p>DF2</p> <p>x1</p>  <p>L=1502mm</p>	<p>DF3</p> <p>x1</p>  <p>L=1502mm</p>	<p>DP-1</p> <p>x1</p> 
<p>TF9</p> <p>x3</p>  <p>L=3120mm</p>	<p>TF10</p> <p>x3</p>  <p>L=3200mm</p>	<p>TF11</p> <p>x3</p>  <p>L=3200mm</p>	<p>TF12</p> <p>x1</p> 

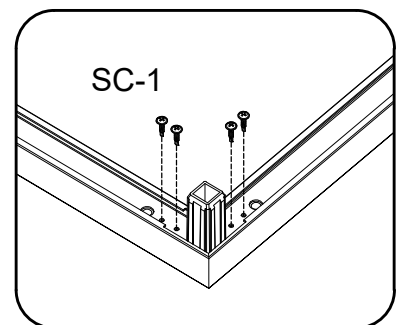
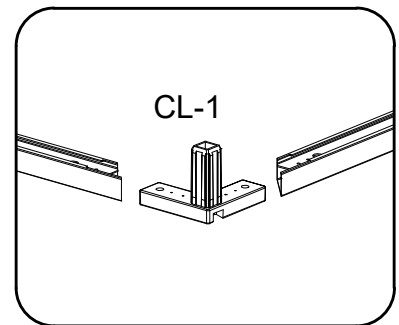
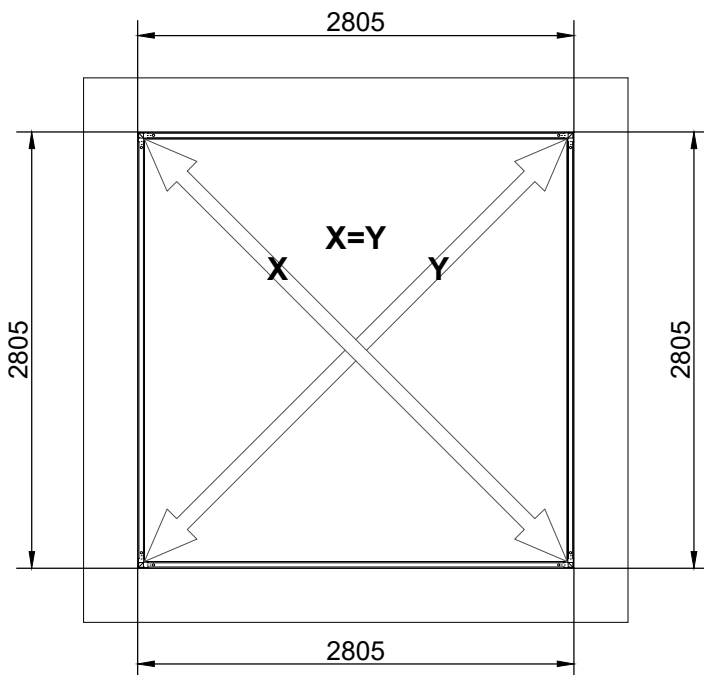
List of components

<p>CL-1</p> <p>x4</p> 	<p>CL-3</p> <p>x8</p> 	<p>CL-4</p> <p>x24 + spare 2</p> 	<p>CL-8</p> <p>x4</p> 
<p>CL-9</p> <p>x4 + spare 2</p> 	<p>TOOL1</p> <p>x1</p>  <p>Ø2.8</p>	<p>TOOL2</p> <p>x1</p>  <p>Ø7</p>	
<p>SC-1</p> <p>x367 + spare 133</p>  <p>M4.2x20mm</p>	<p>SC-2</p> <p>x18 + spare 6</p>  <p>M4.2x30mm</p>	<p>SC-4</p> <p>x24 + spare 4</p>  <p>M6x40mm</p>	<p>SC-5</p> <p>x8 + spare 1</p>  <p>Ø8x80mm</p>
<p>SC-7</p> <p>x8 + spare 2</p>  <p>M6</p>	<p>SC-8</p> <p>x4 + spare 2</p>  <p>M4.2x30mm</p>		
<p>WD2</p> <p>x1</p> 	<p>SU-1</p> <p>x1</p>  <p>8530</p>	<p>SU-2</p> <p>x1</p> 	<p>Other Spare parts</p> <p>x2</p> 

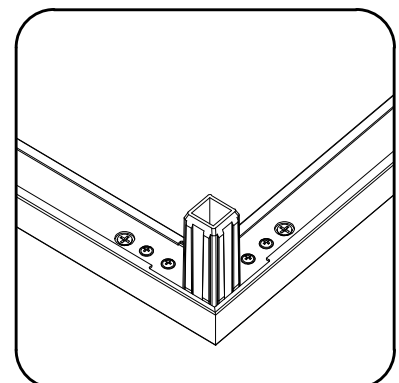
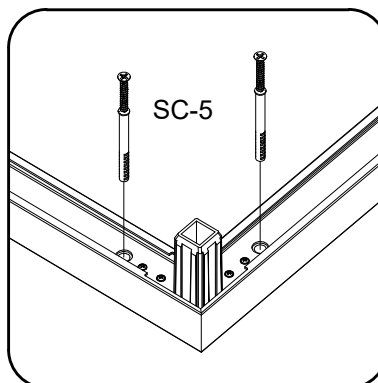
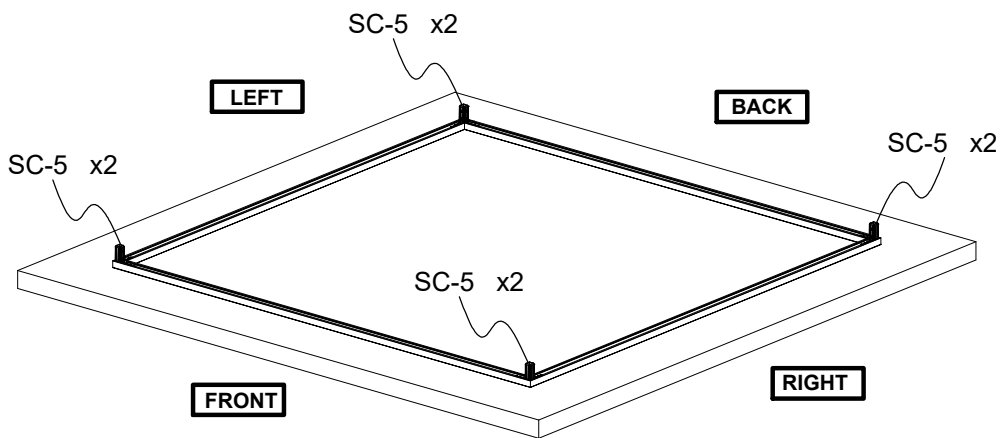
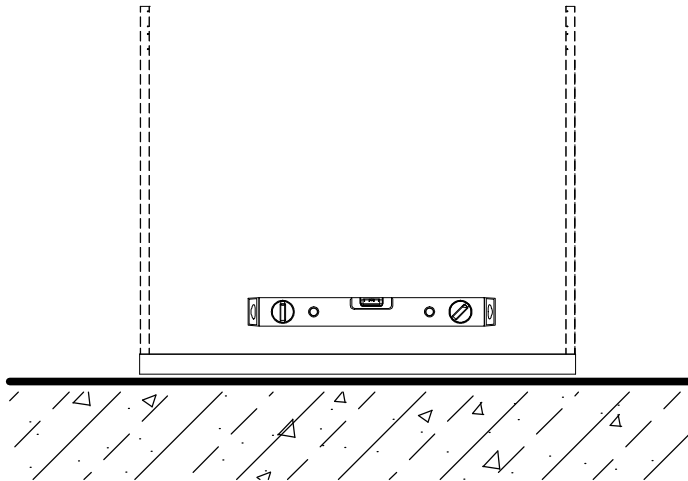
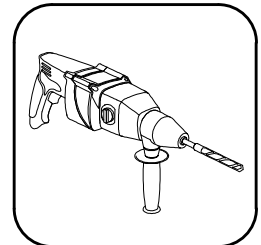
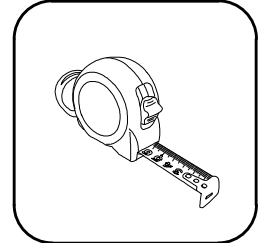
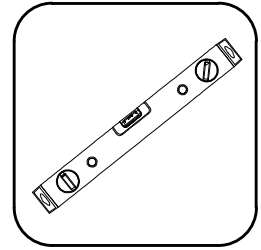
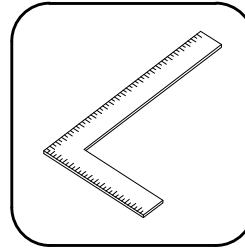
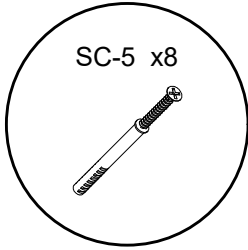
STEP 1 :



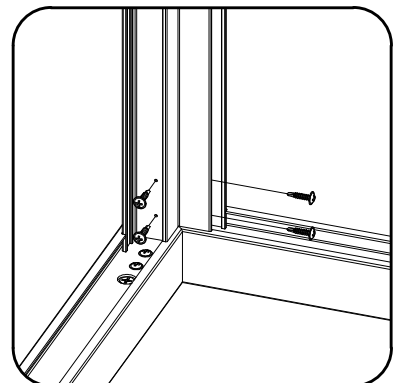
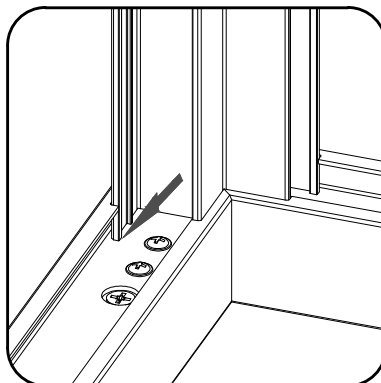
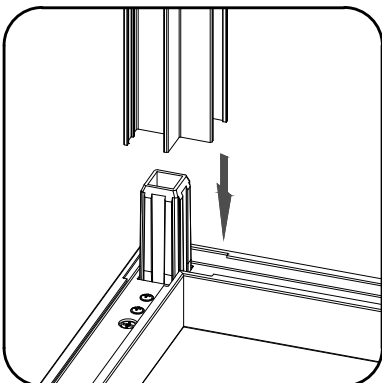
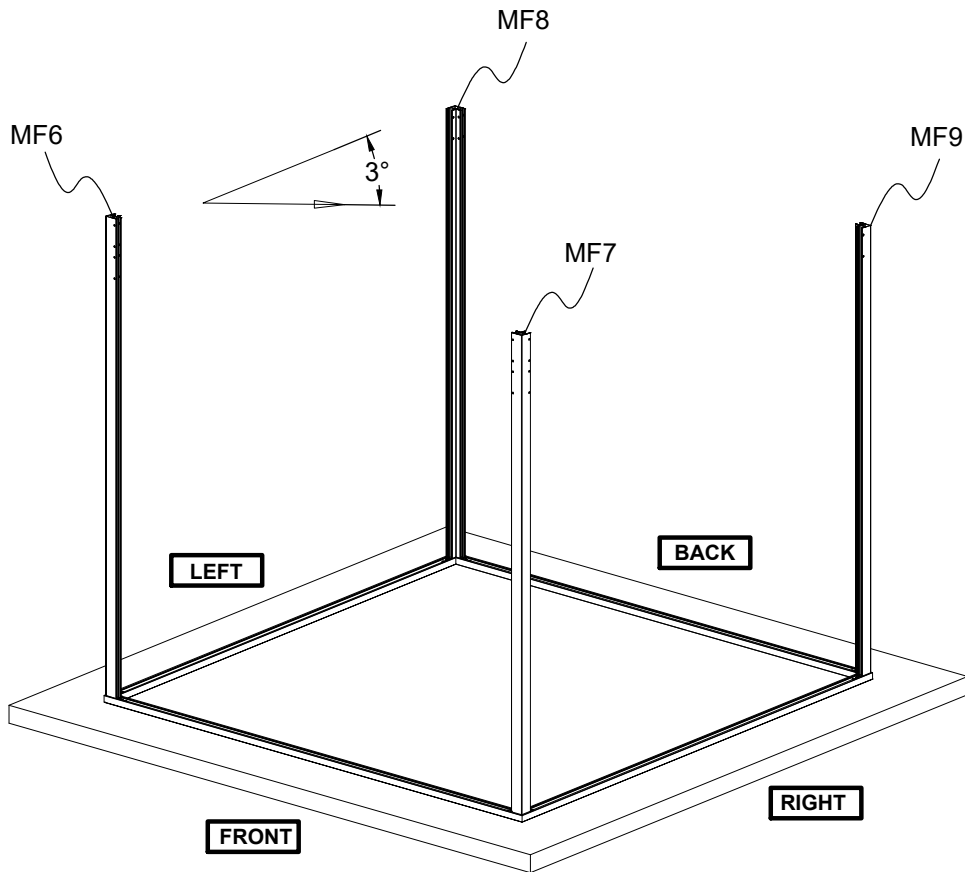
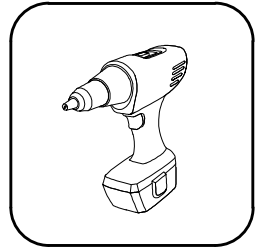
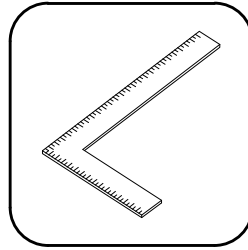
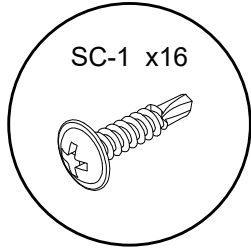
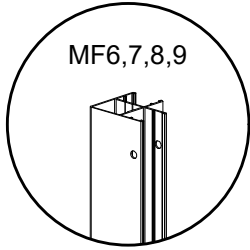
Dimension:



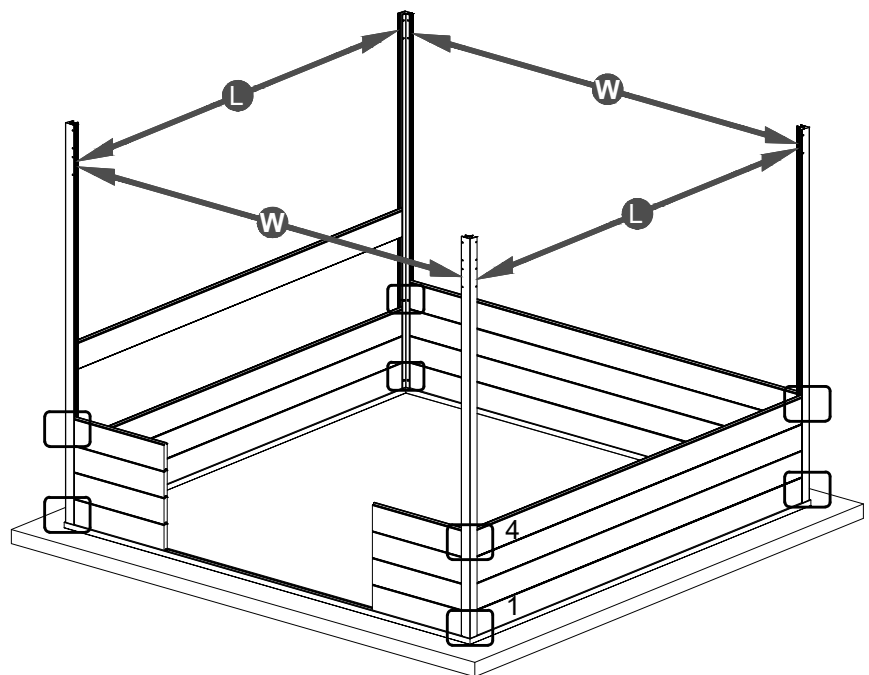
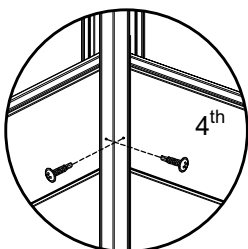
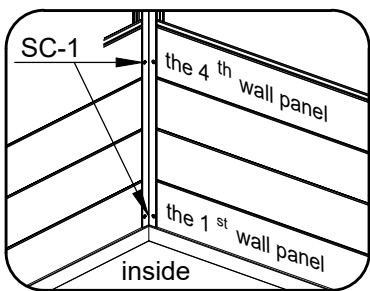
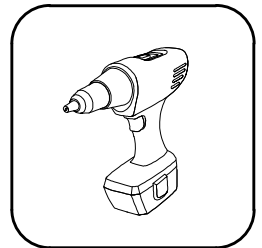
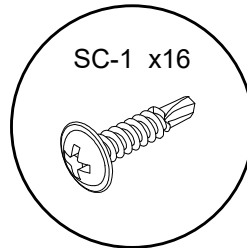
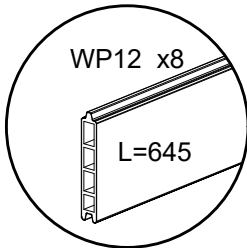
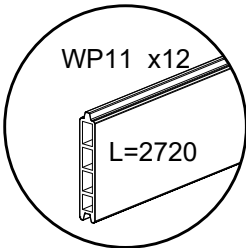
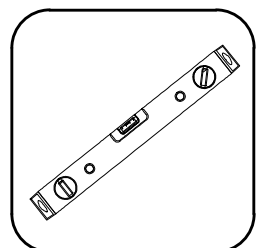
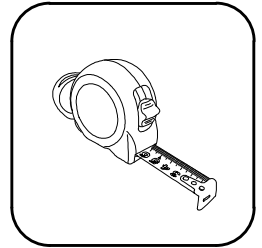
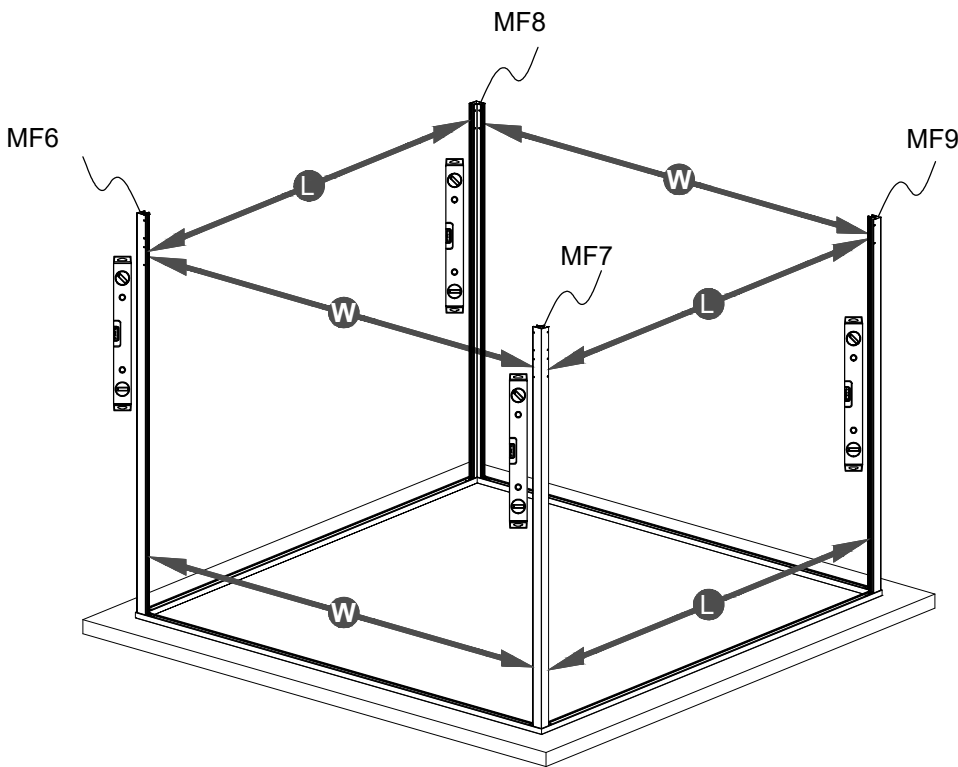
STEP 2 : Expansion screws



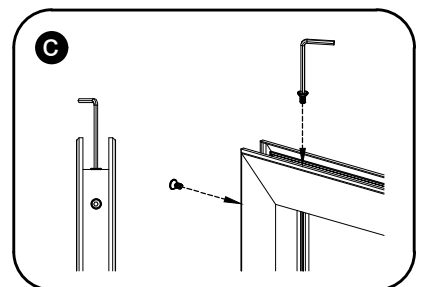
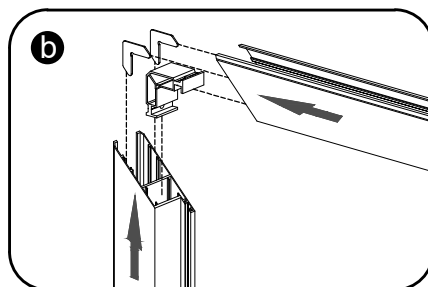
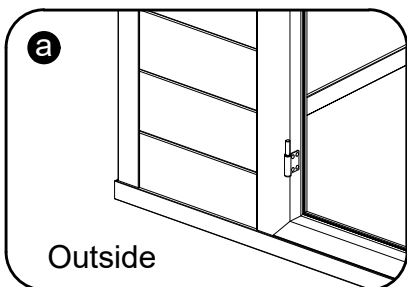
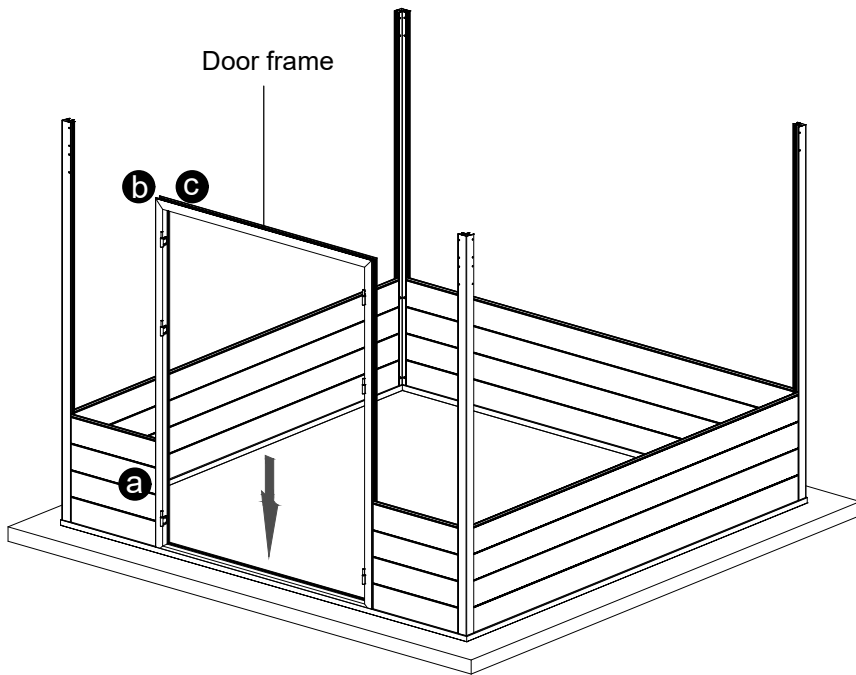
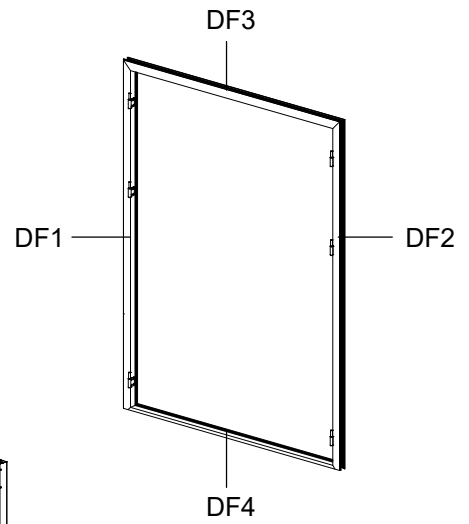
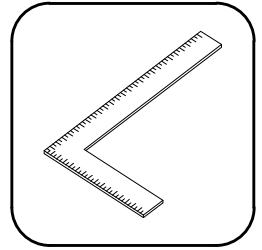
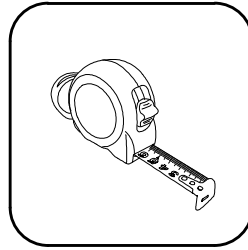
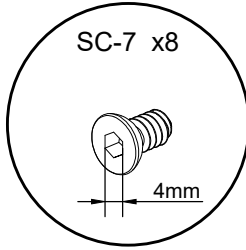
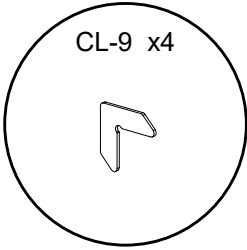
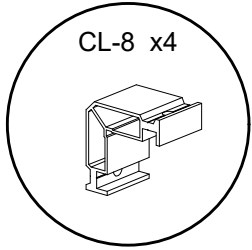
STEP 3 :



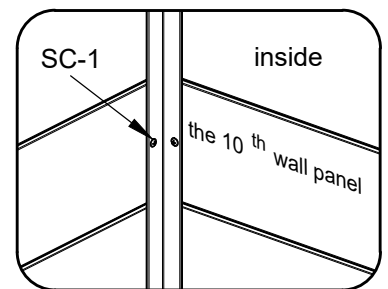
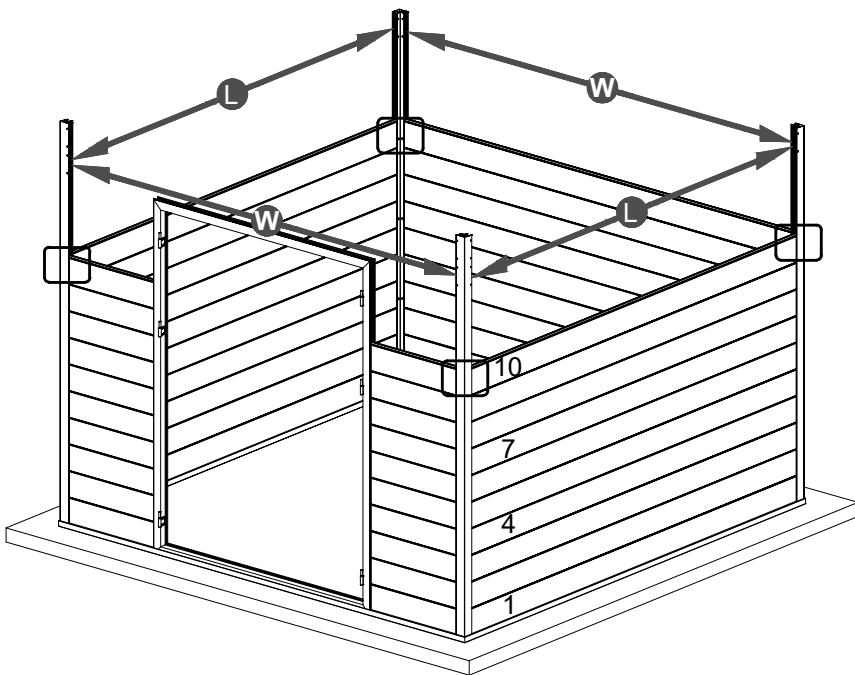
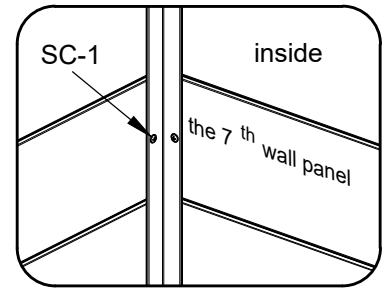
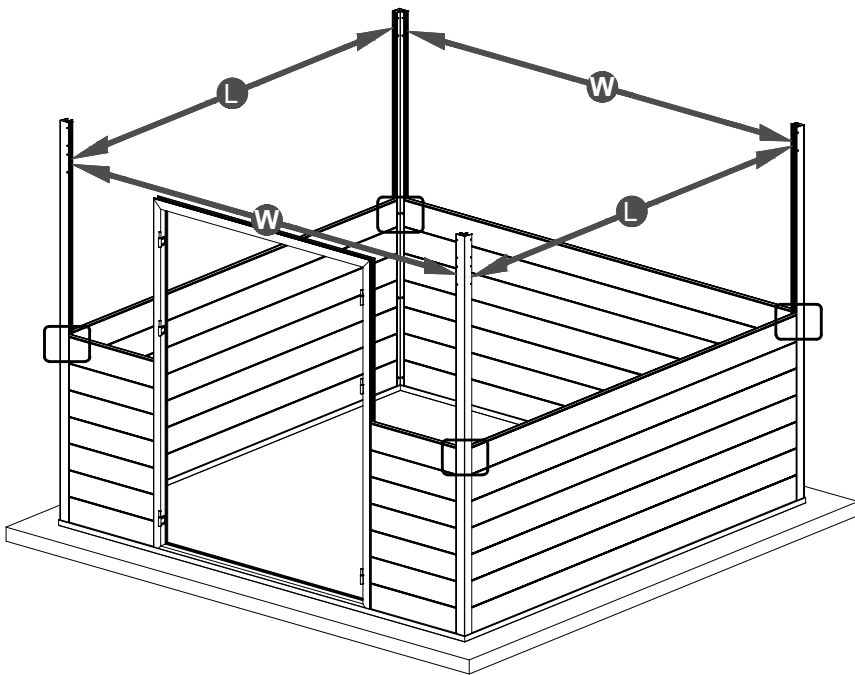
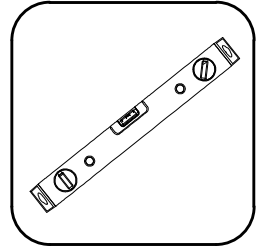
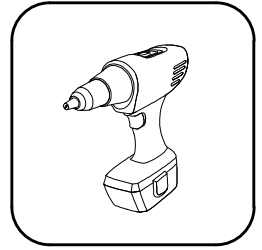
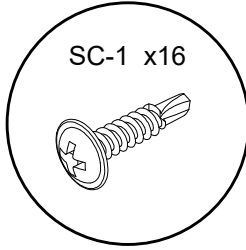
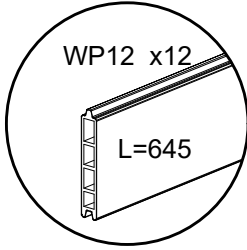
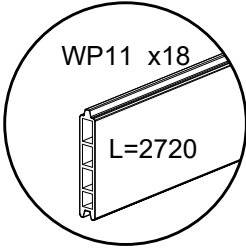
STEP 4 :



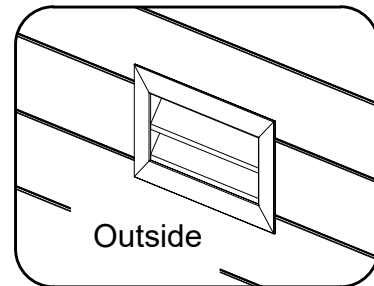
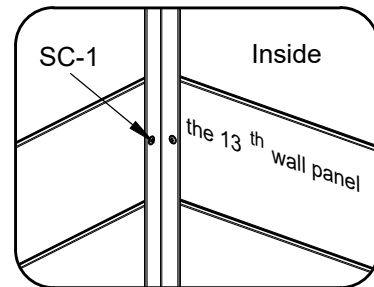
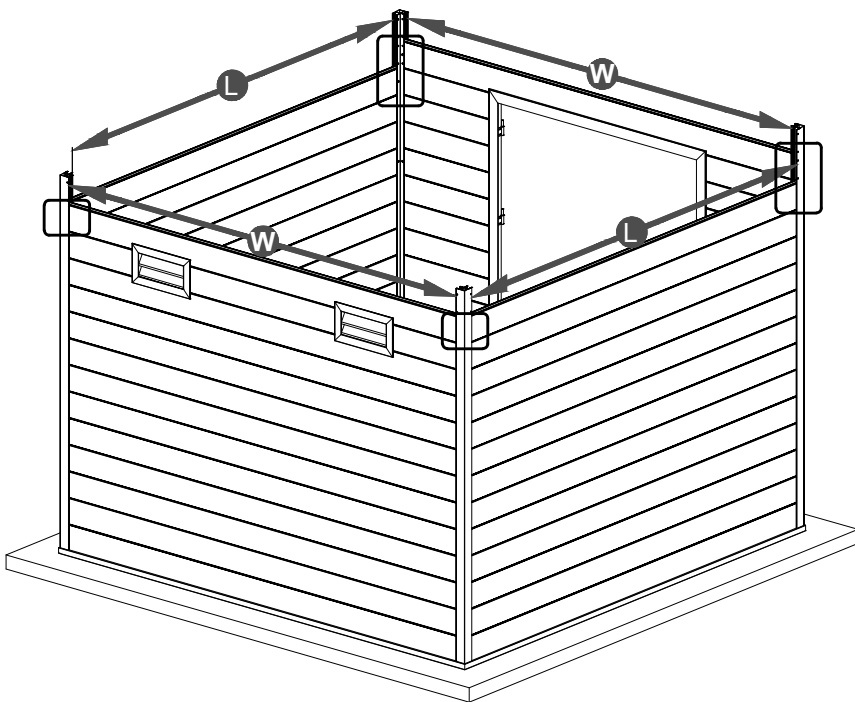
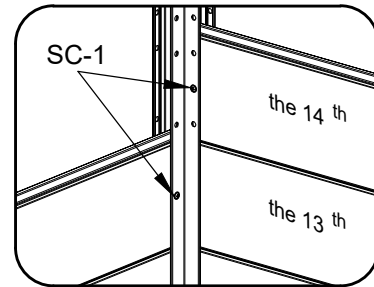
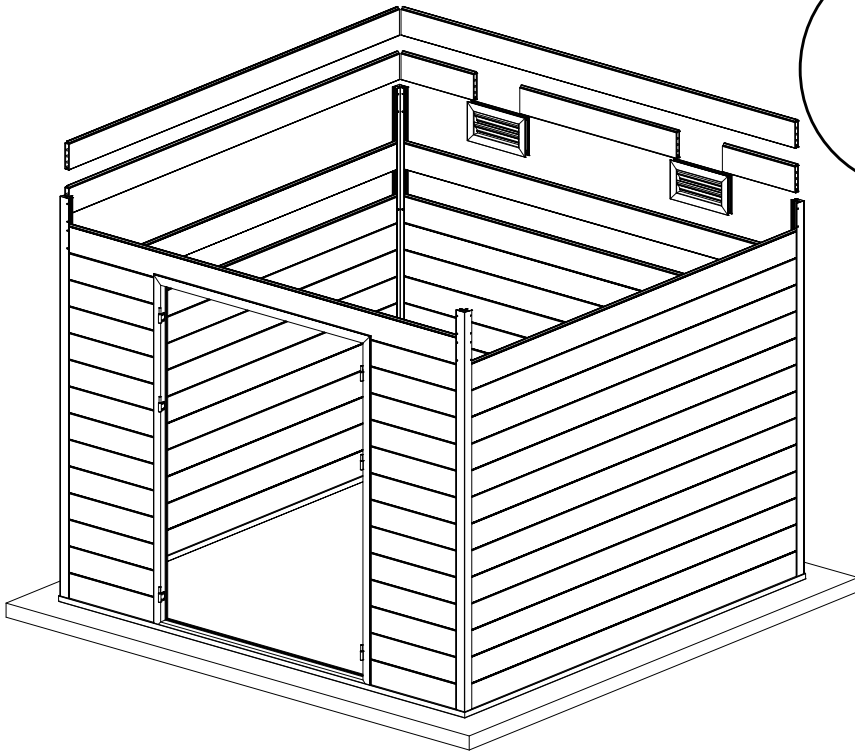
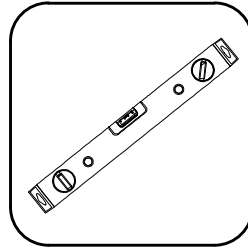
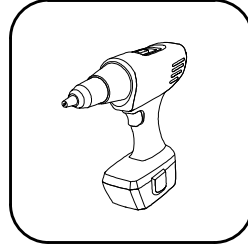
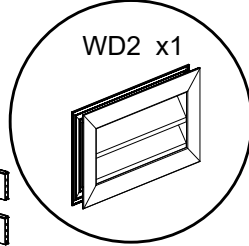
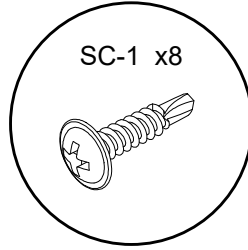
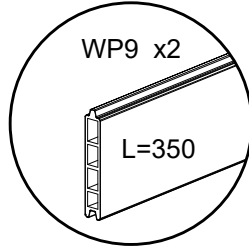
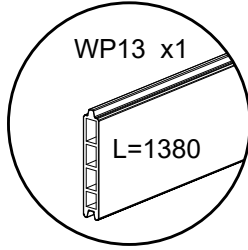
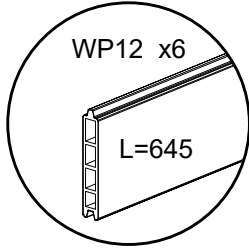
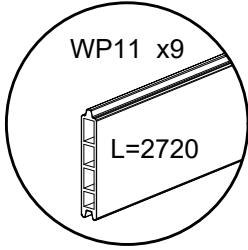
STEP 5 :



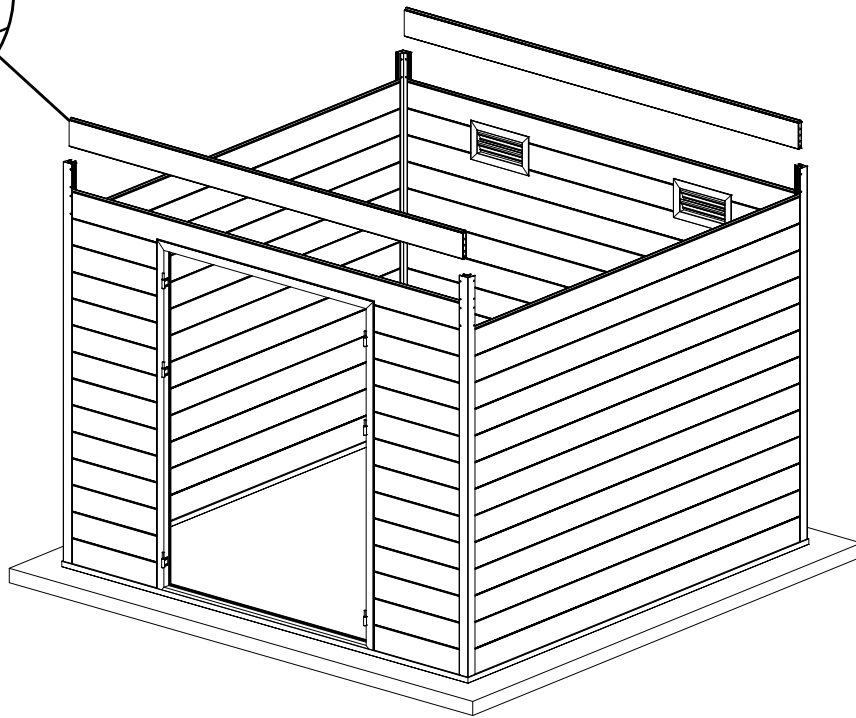
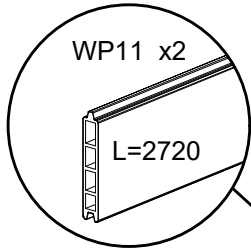
STEP 6 :



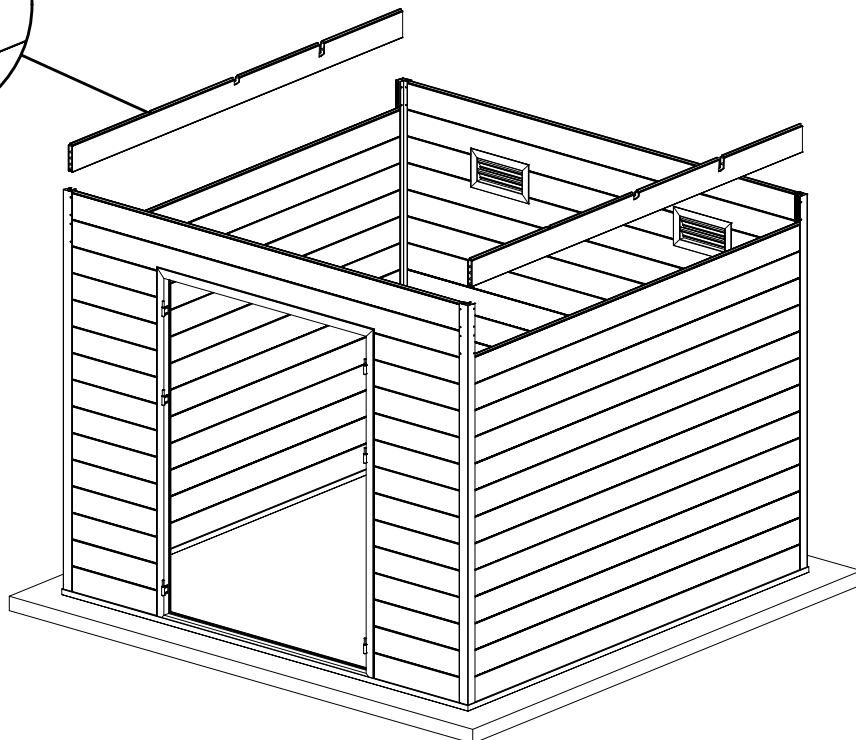
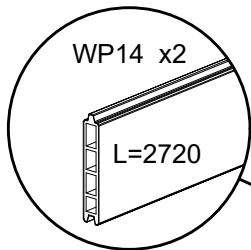
STEP 7 :



STEP 8 :

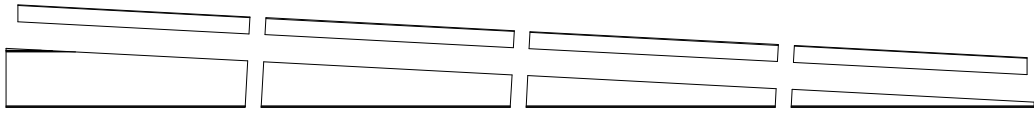


STEP 9 :



STEP 10 :

WP15 x2

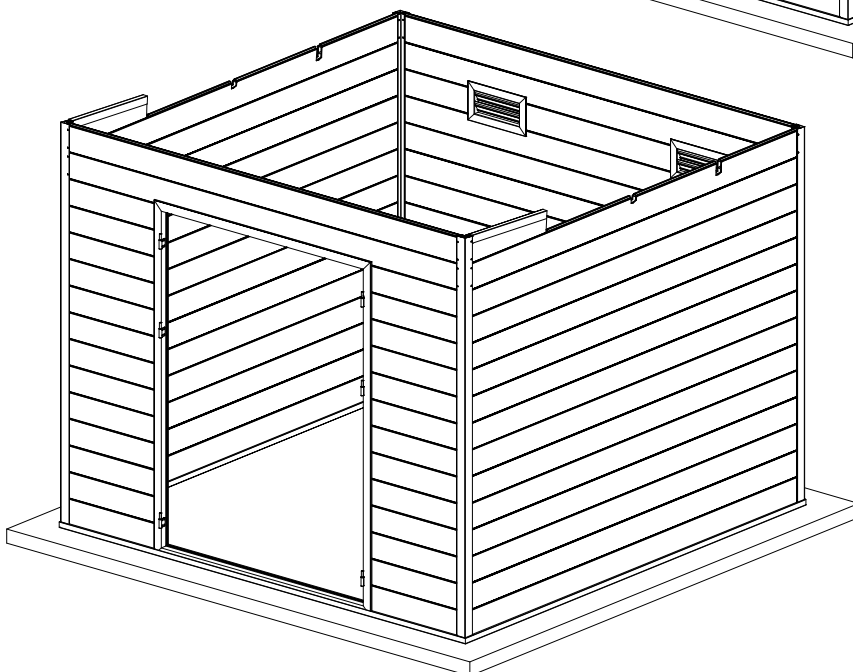
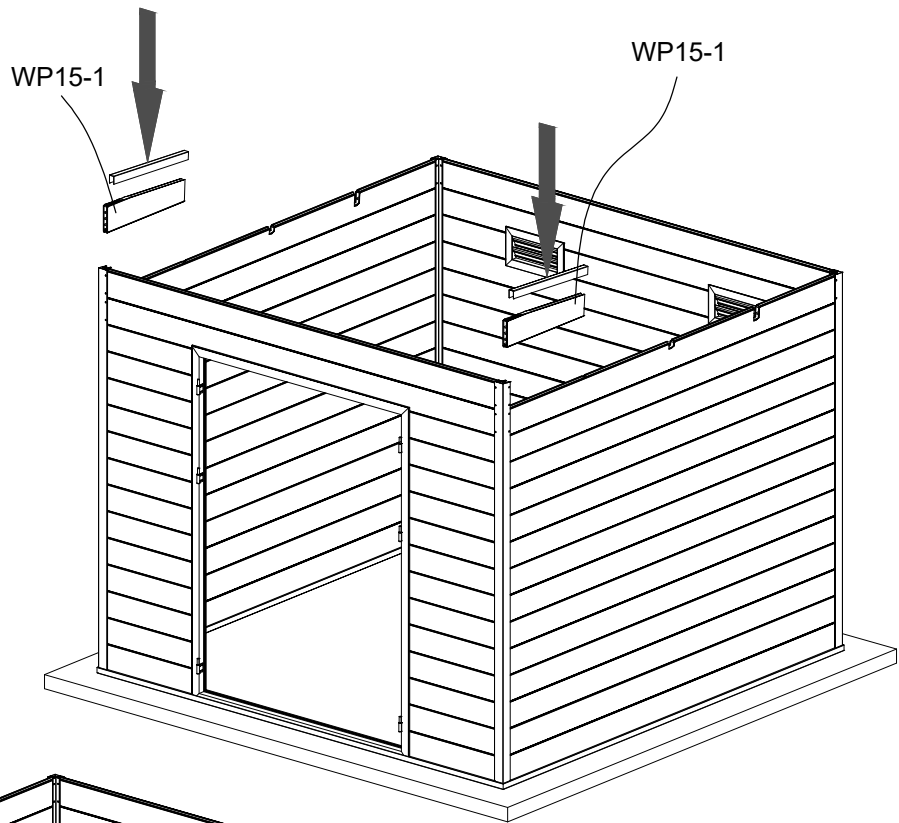


WP15-1

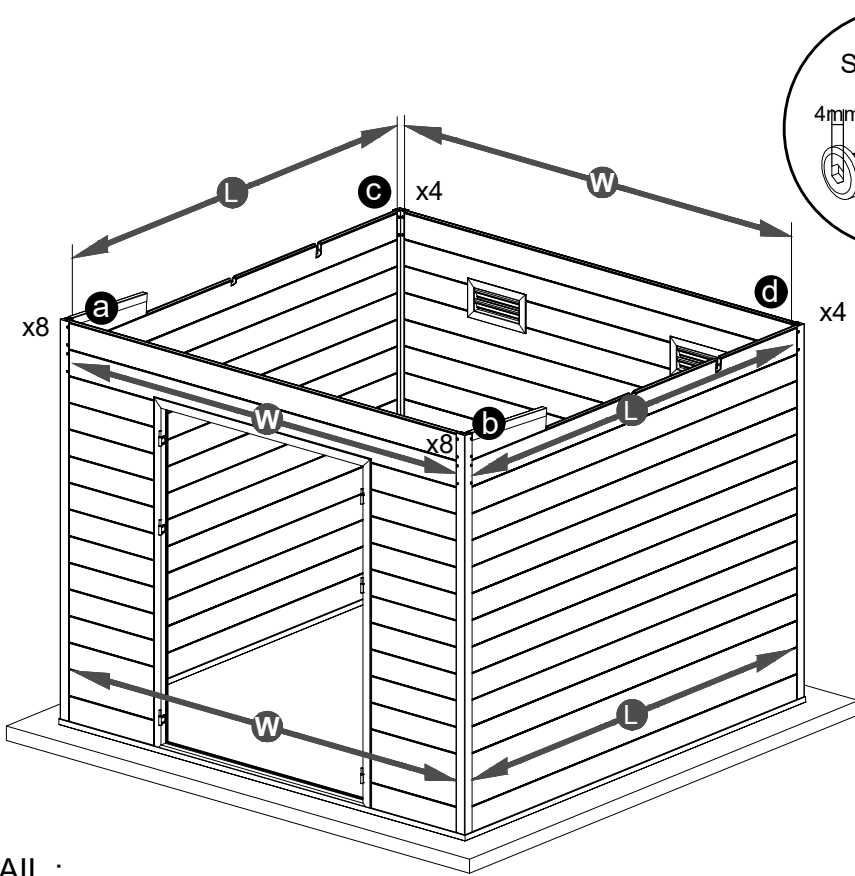
WP15-2
(Step16)

WP15-3
(Step16)

WP15-4
(Step16)

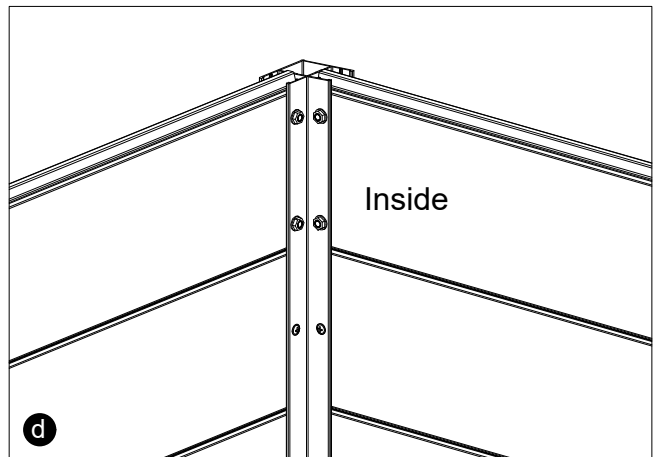
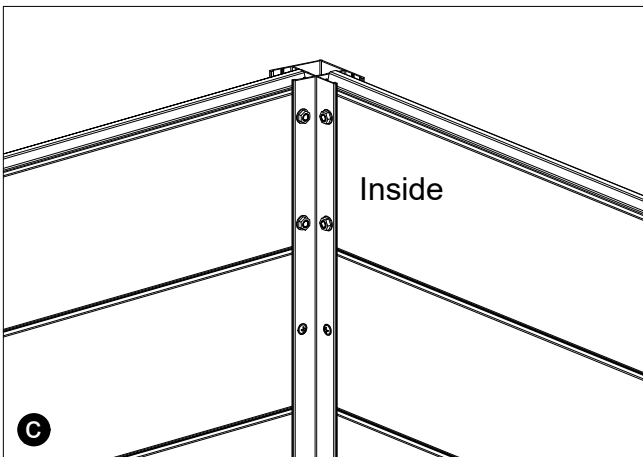
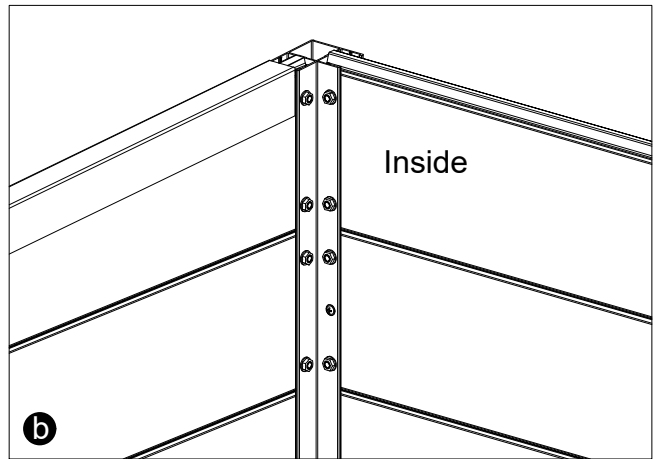
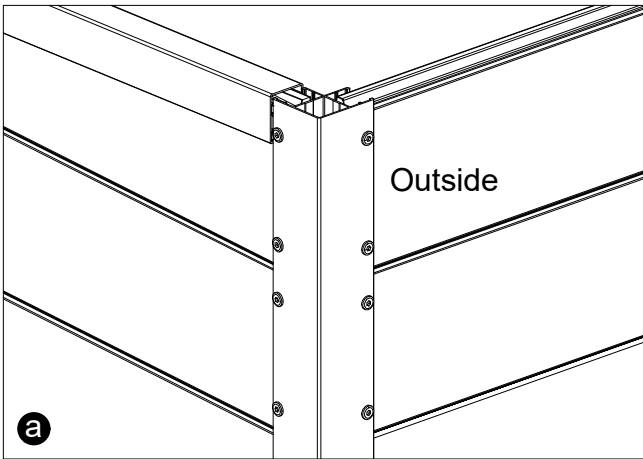


STEP 11 :

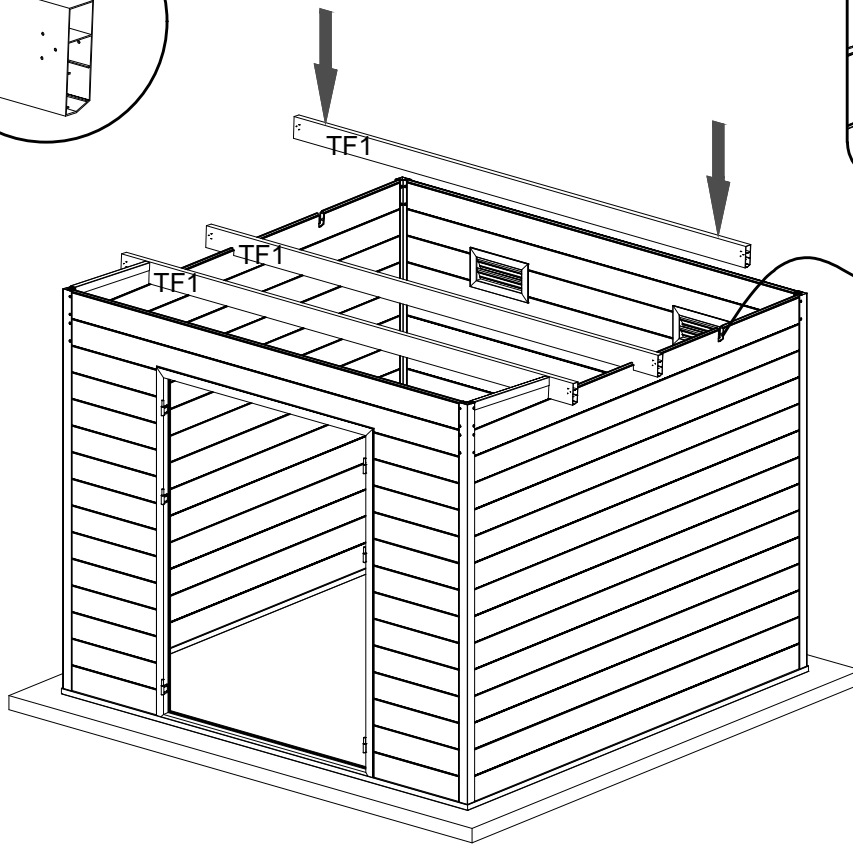
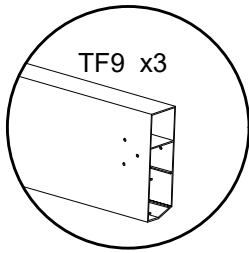


Please pre-drill holes first

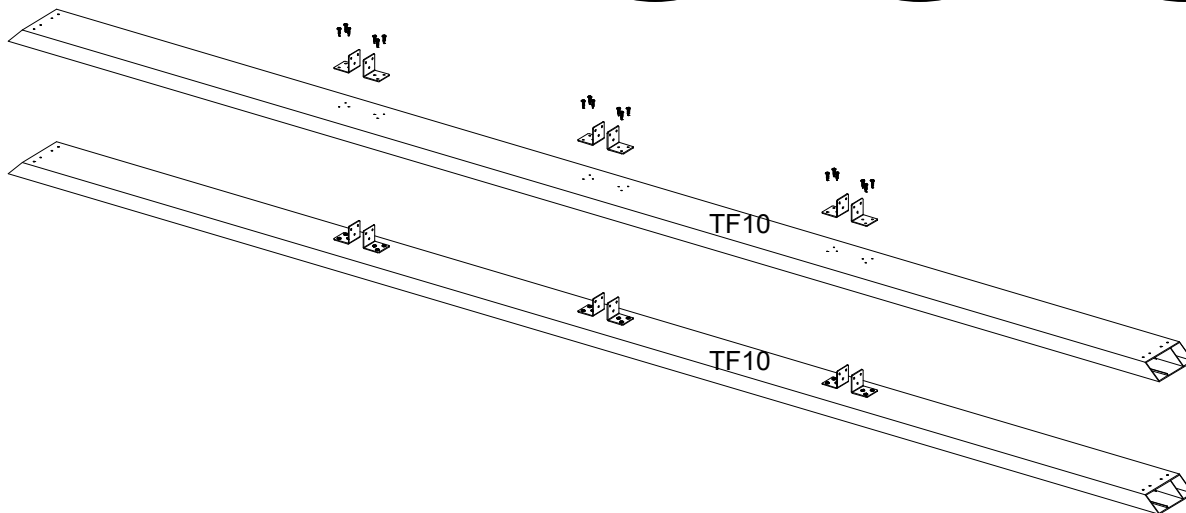
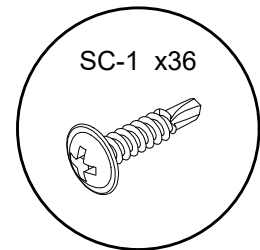
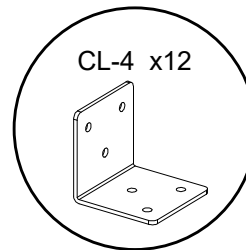
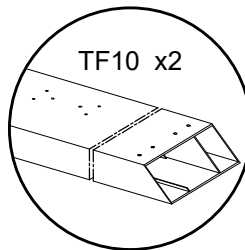
DETAIL :



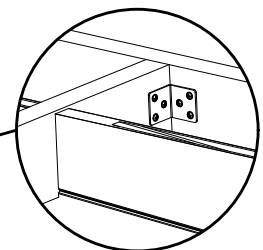
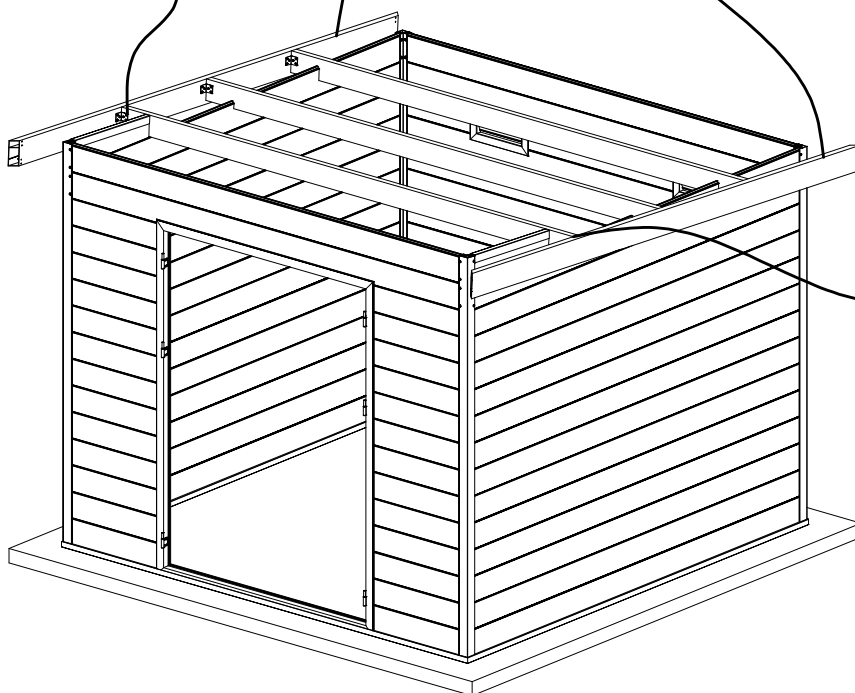
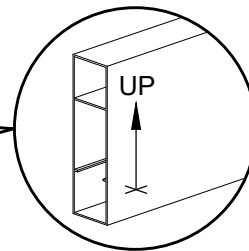
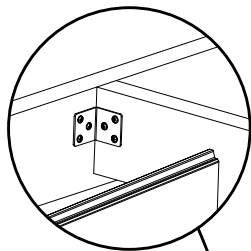
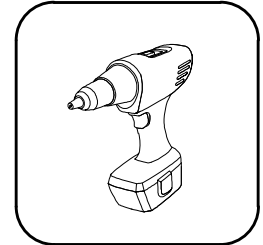
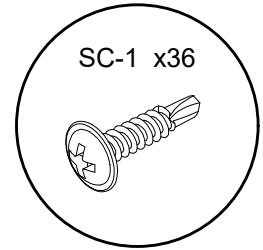
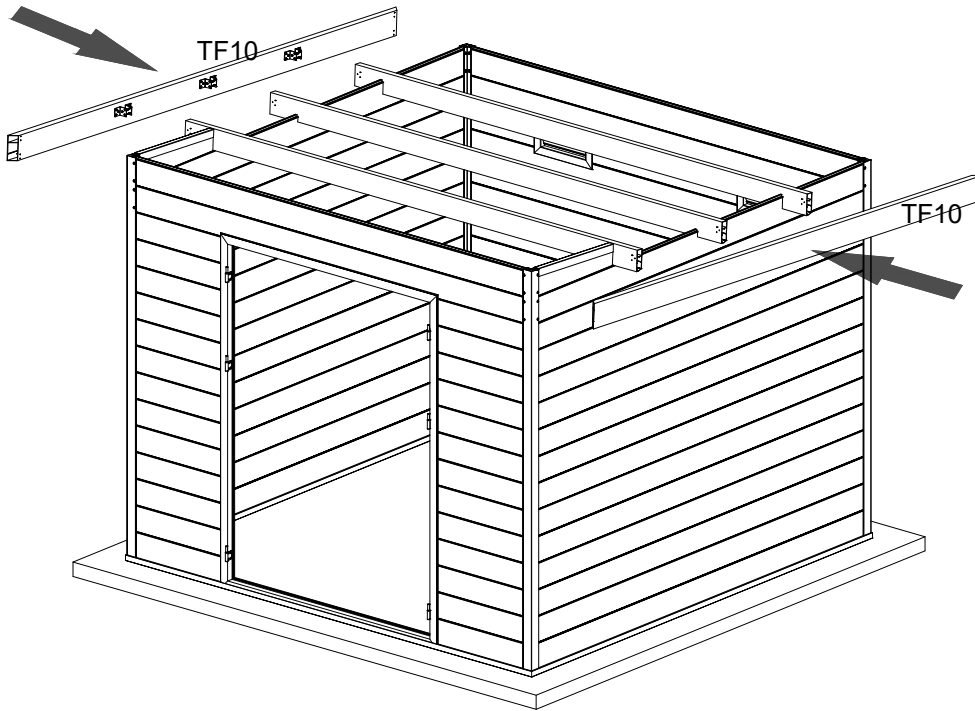
STEP 12 :



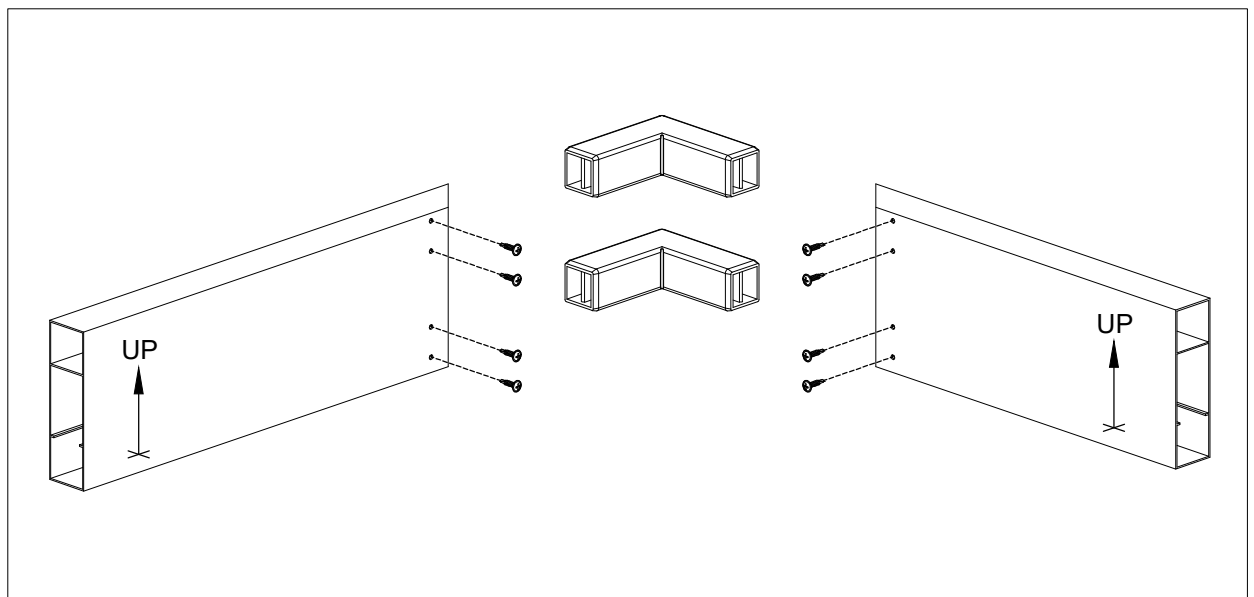
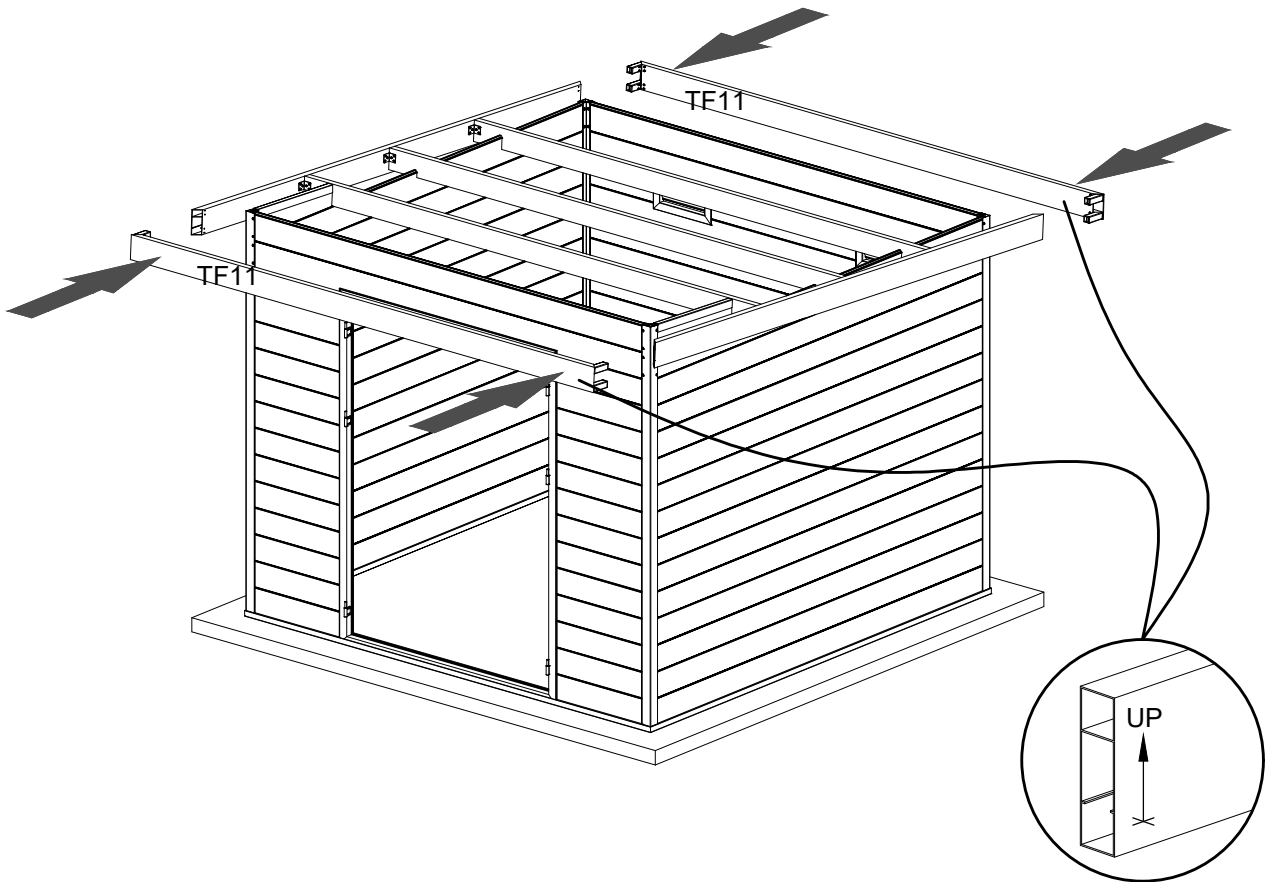
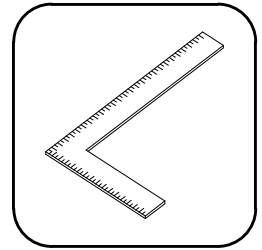
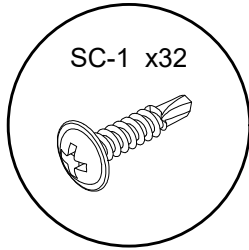
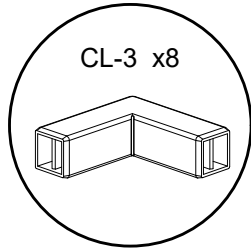
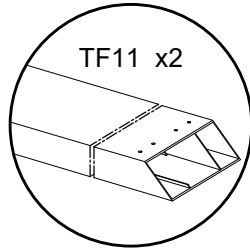
STEP 13 :



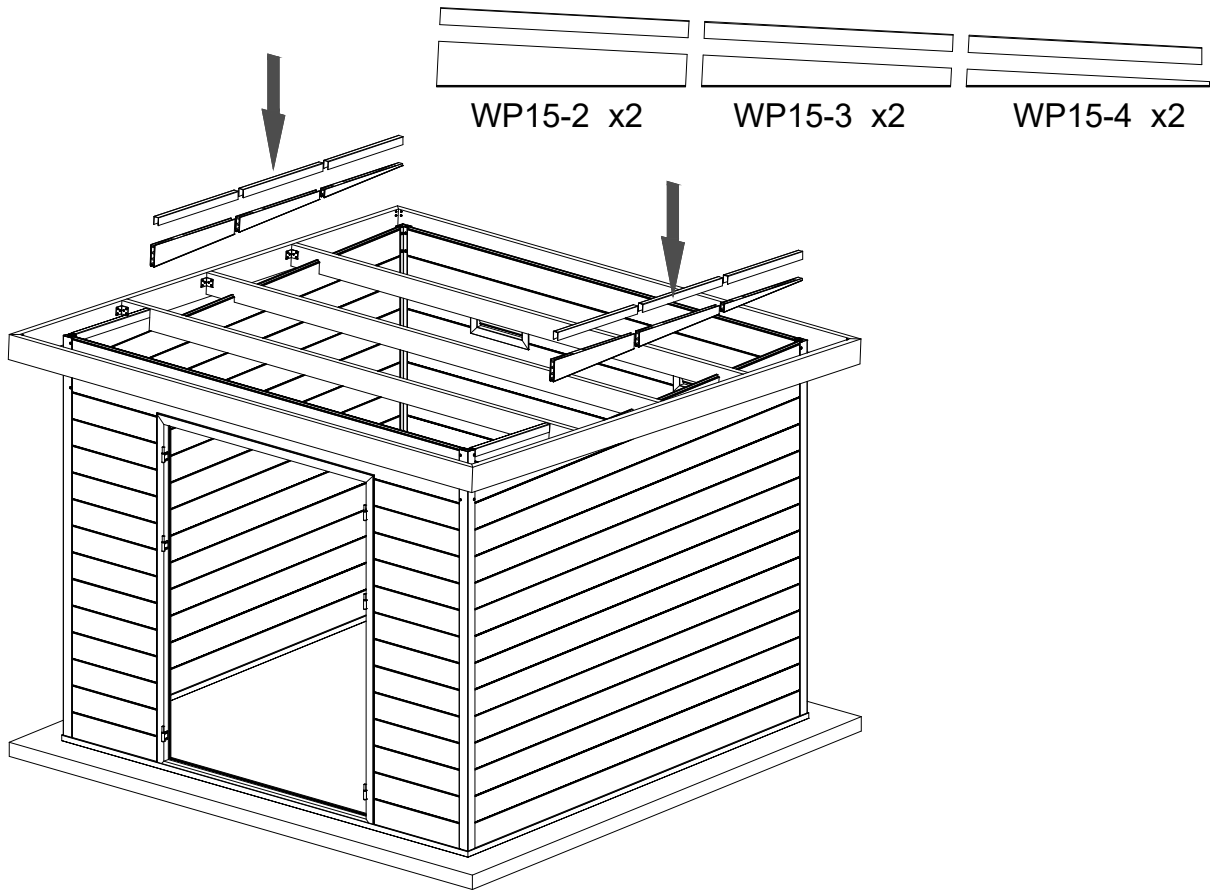
STEP 14 :



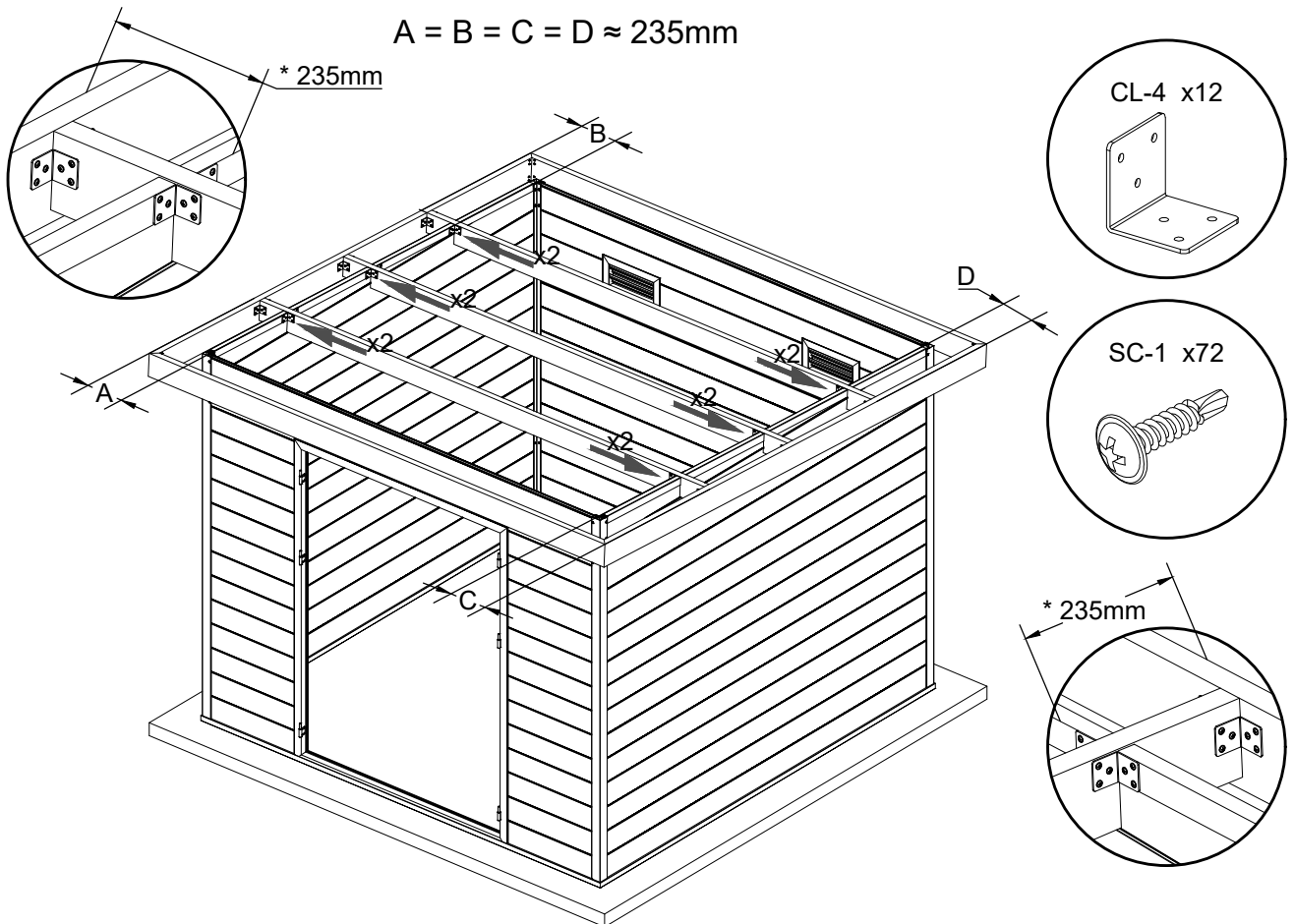
STEP 15 :



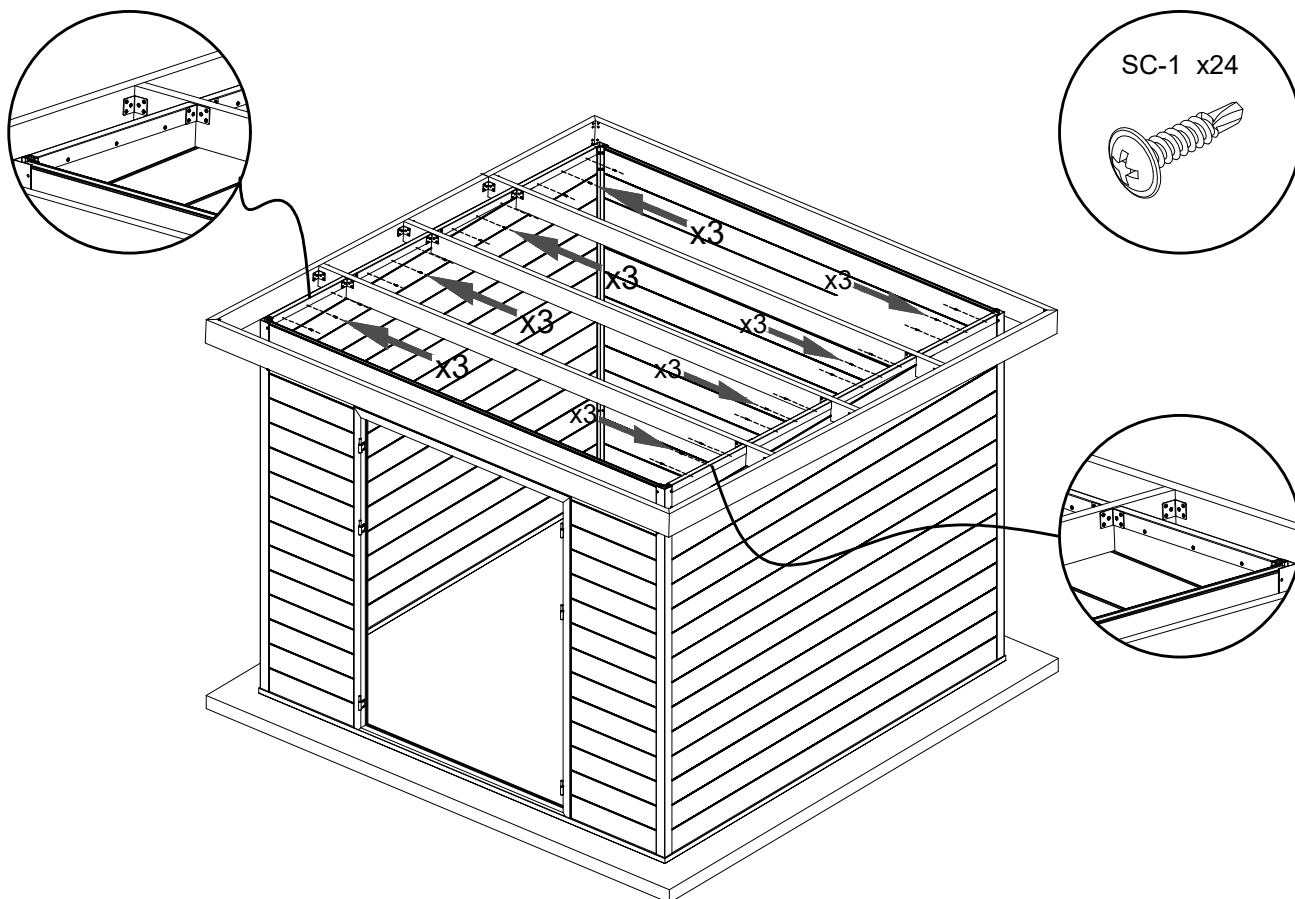
STEP 16 :



STEP 17 : Connecting Together

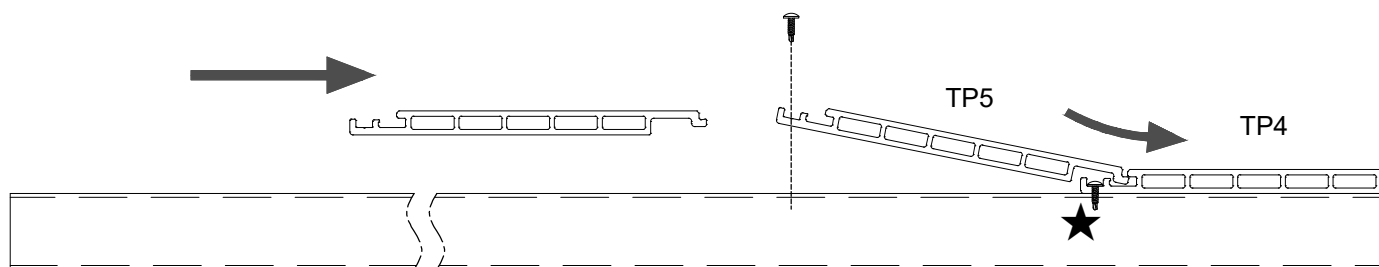
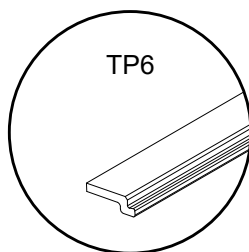
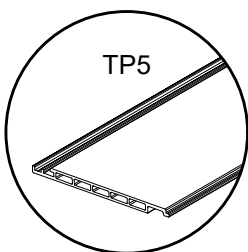
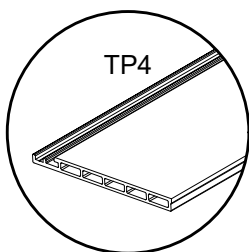
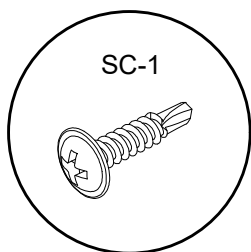


STEP 18 : Strengthening connections



SC-1 x24

The top roof panel.



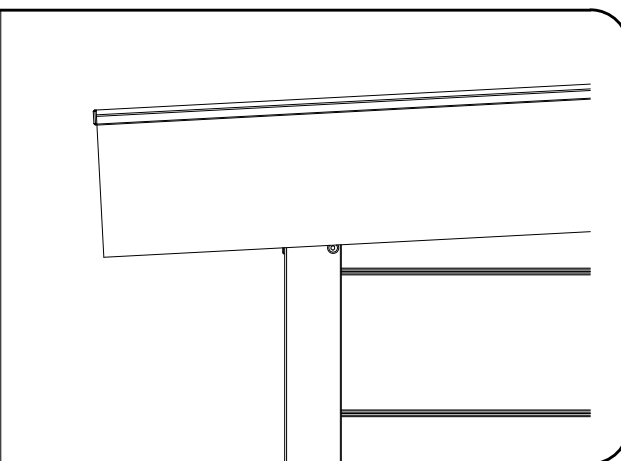
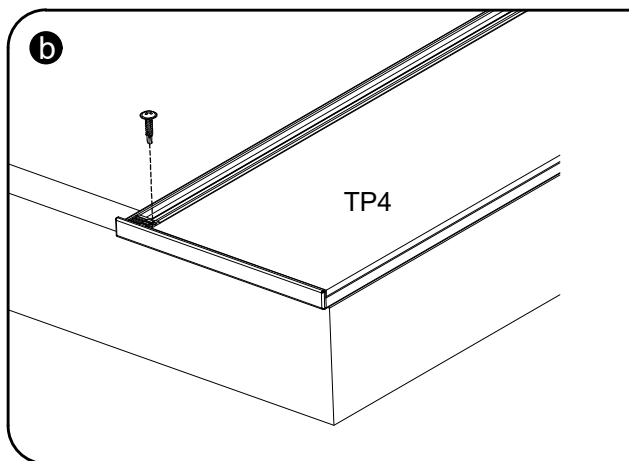
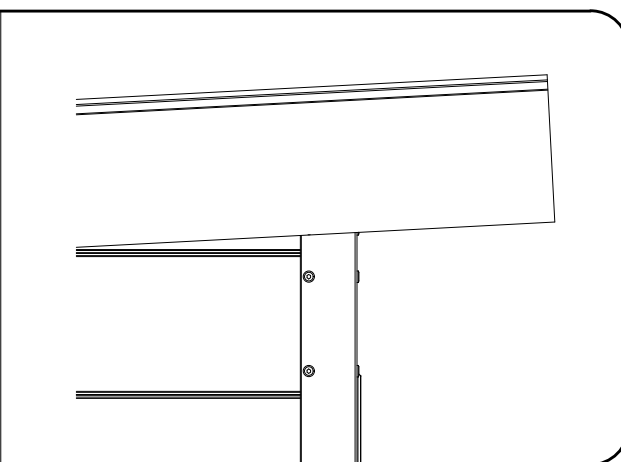
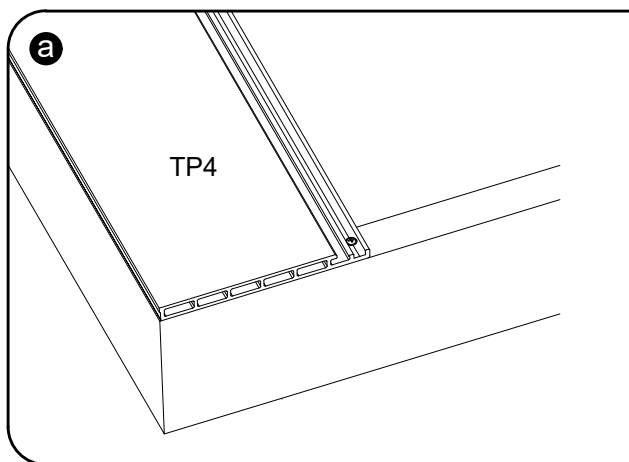
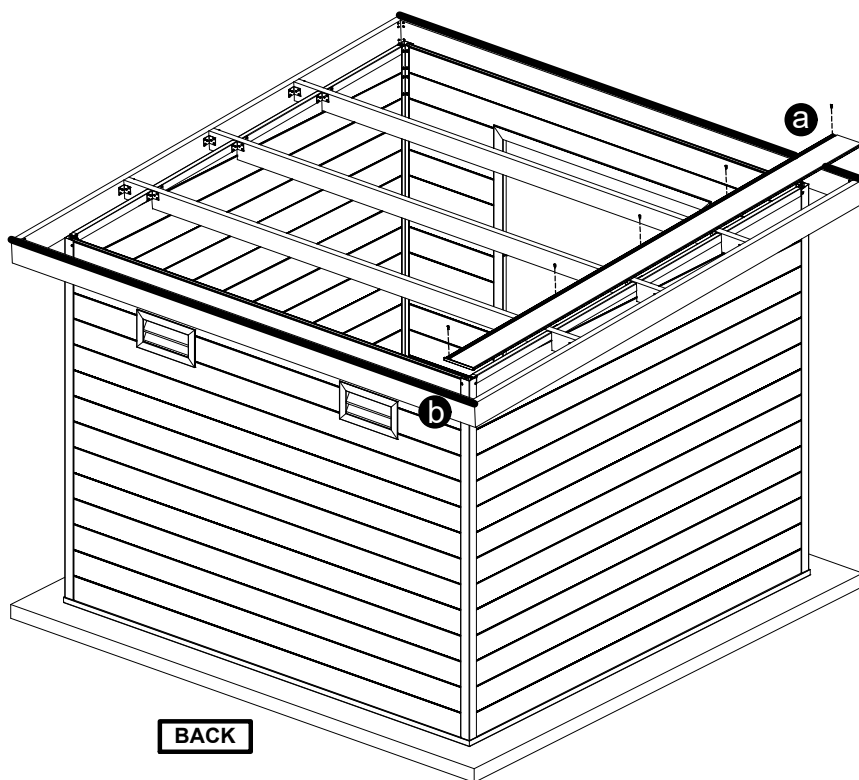
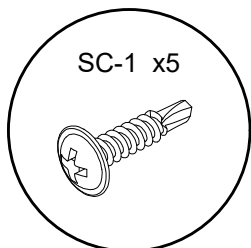
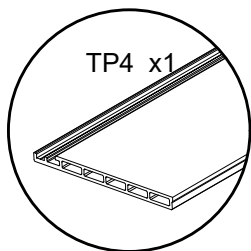
TP6 x1

TP5 x15

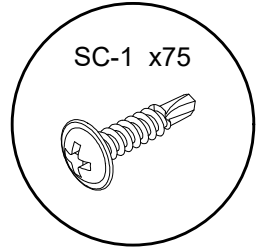
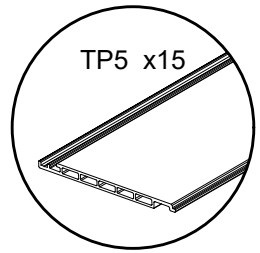
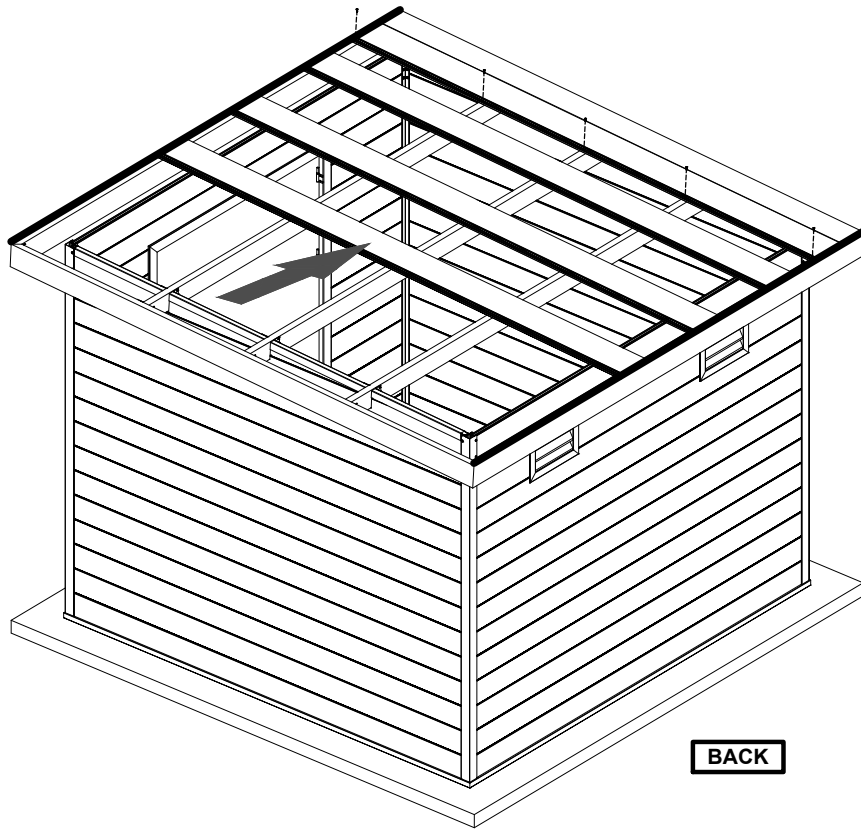
TP4 x1



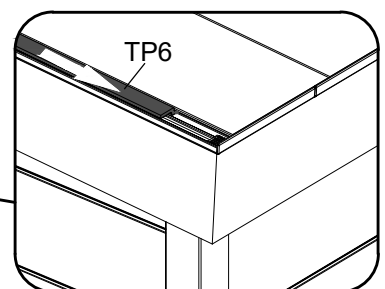
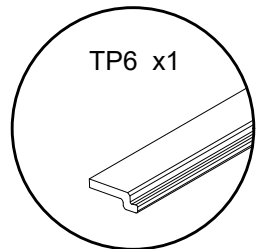
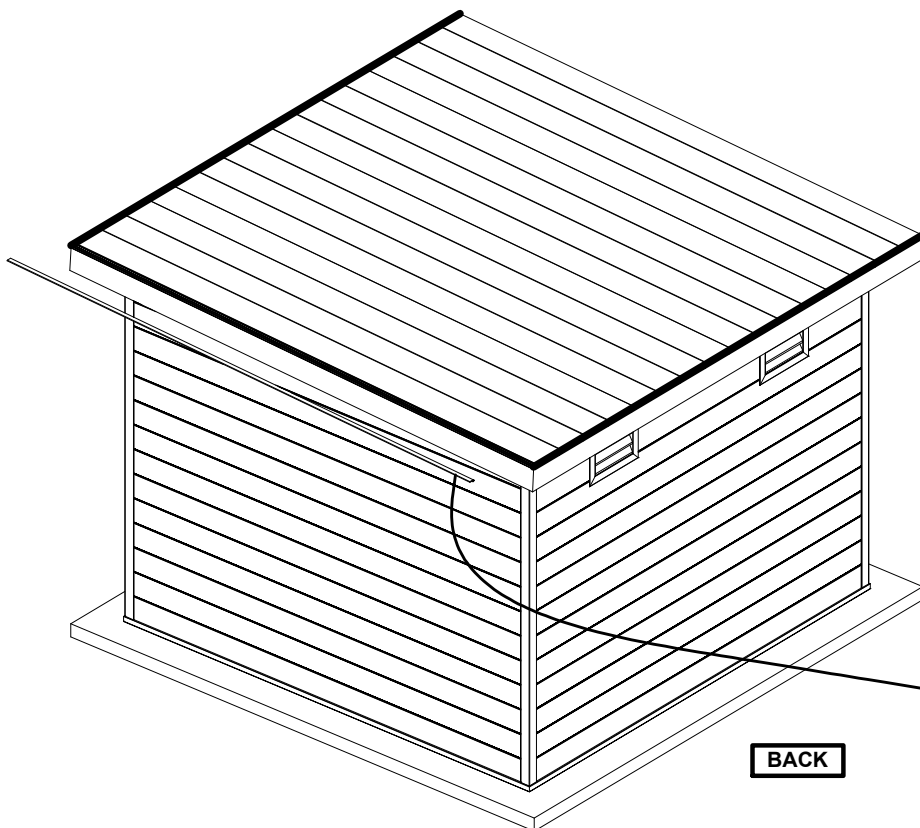
STEP 19 : The installation of top roof panel.



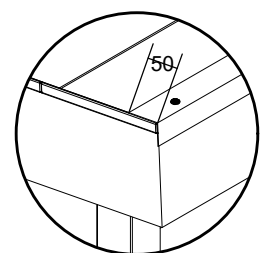
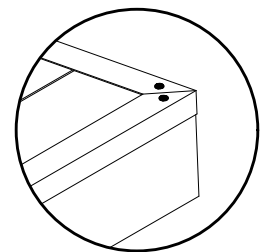
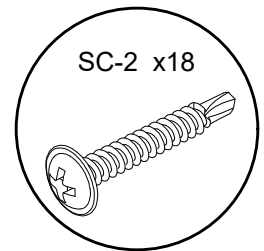
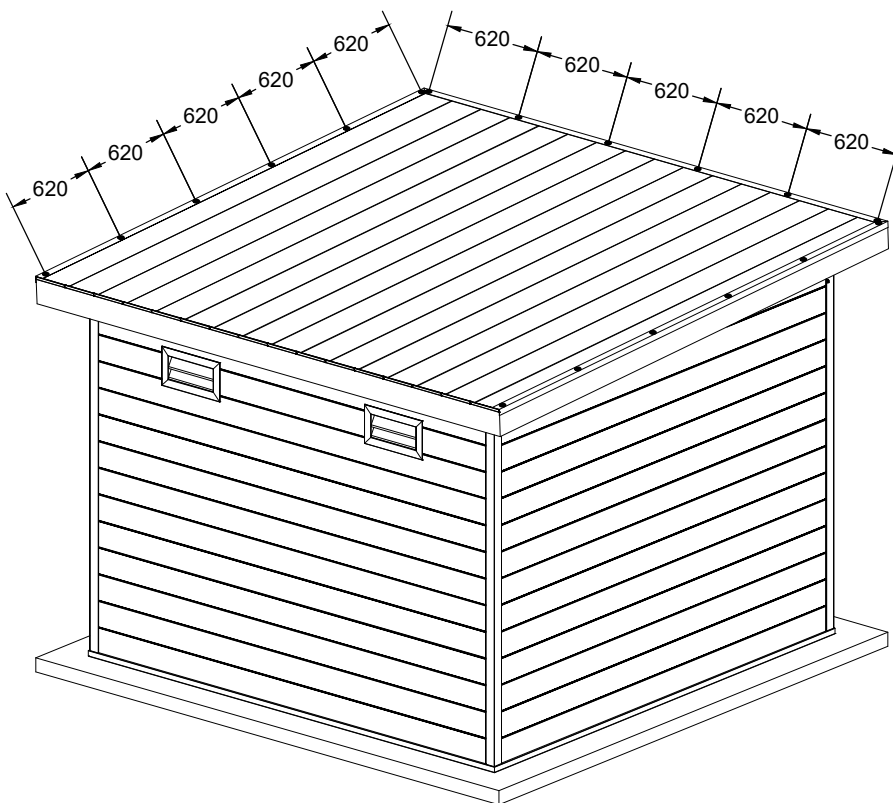
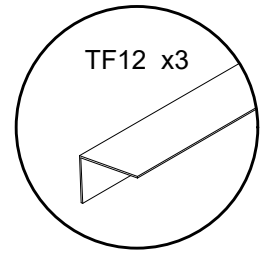
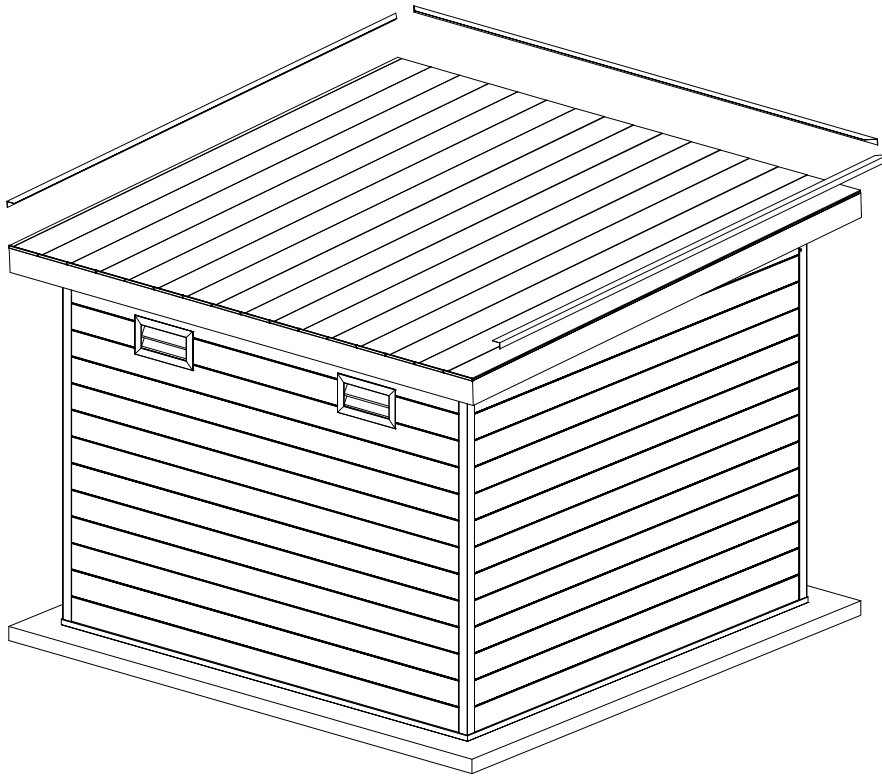
STEP 20 :



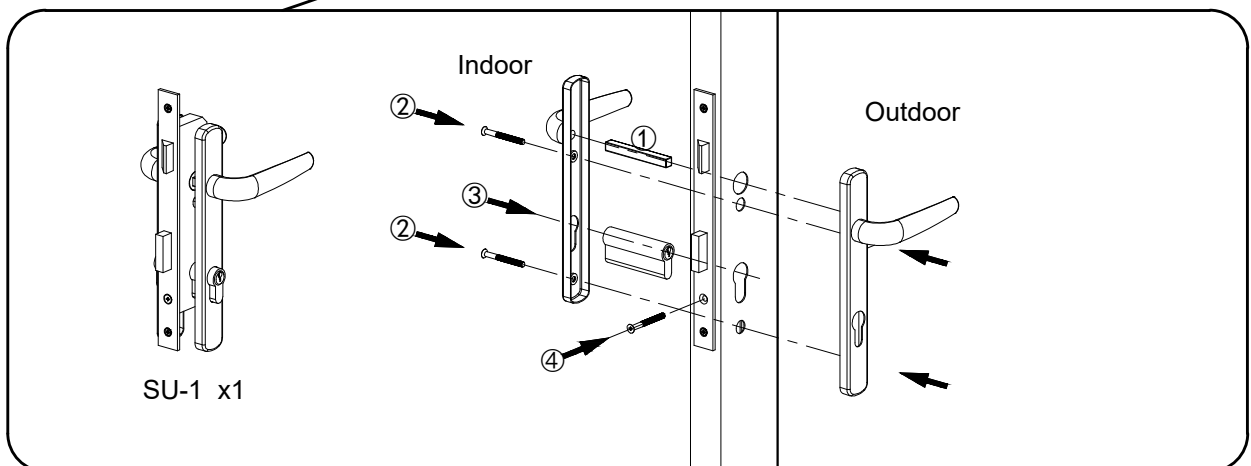
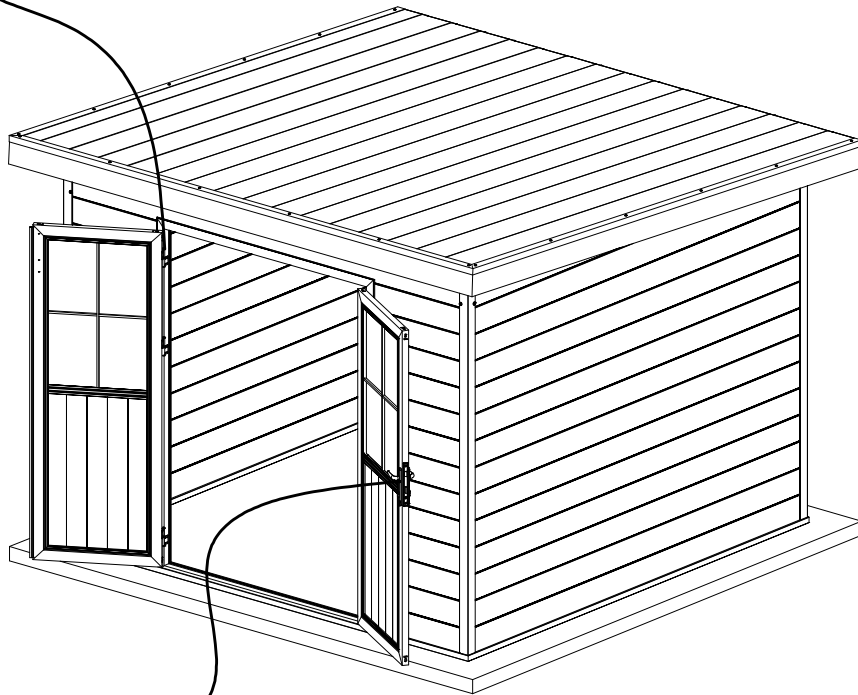
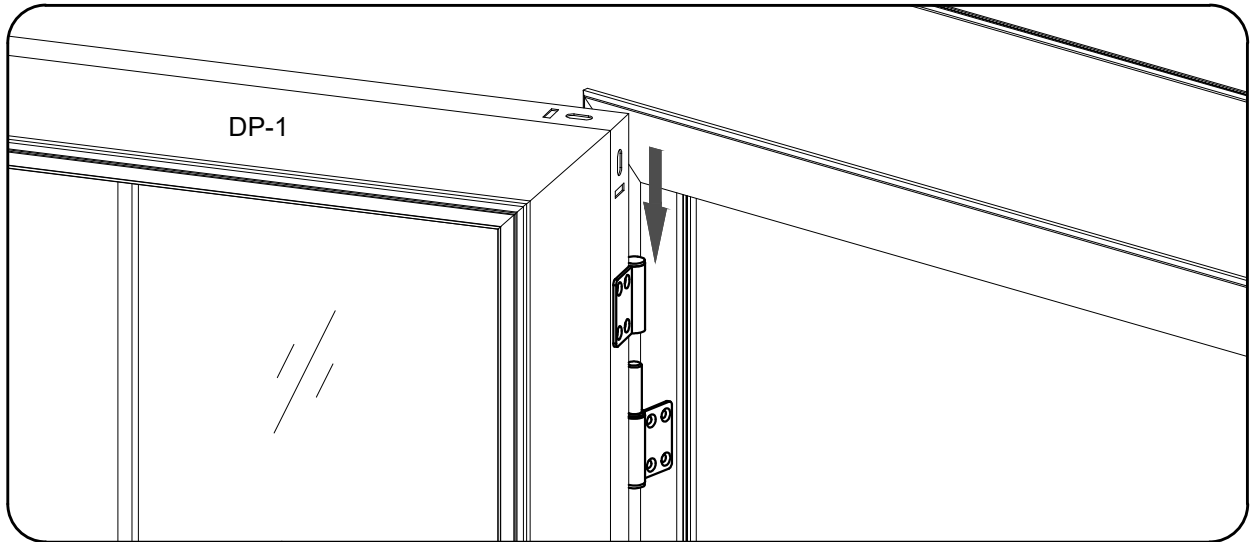
STEP 21 :



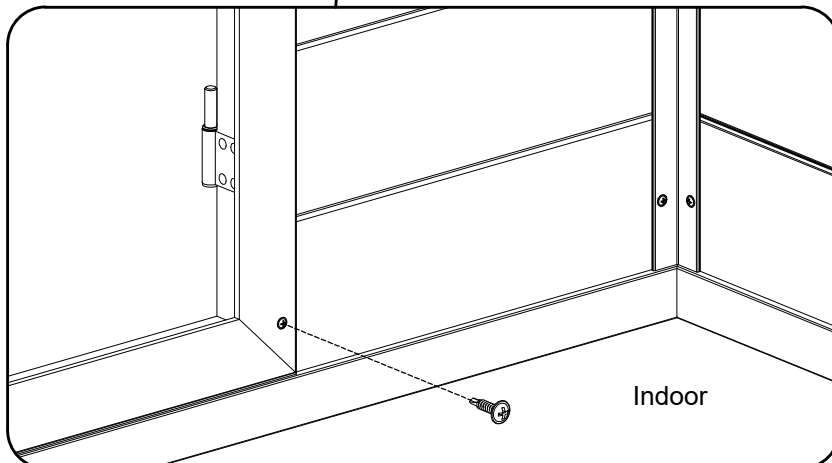
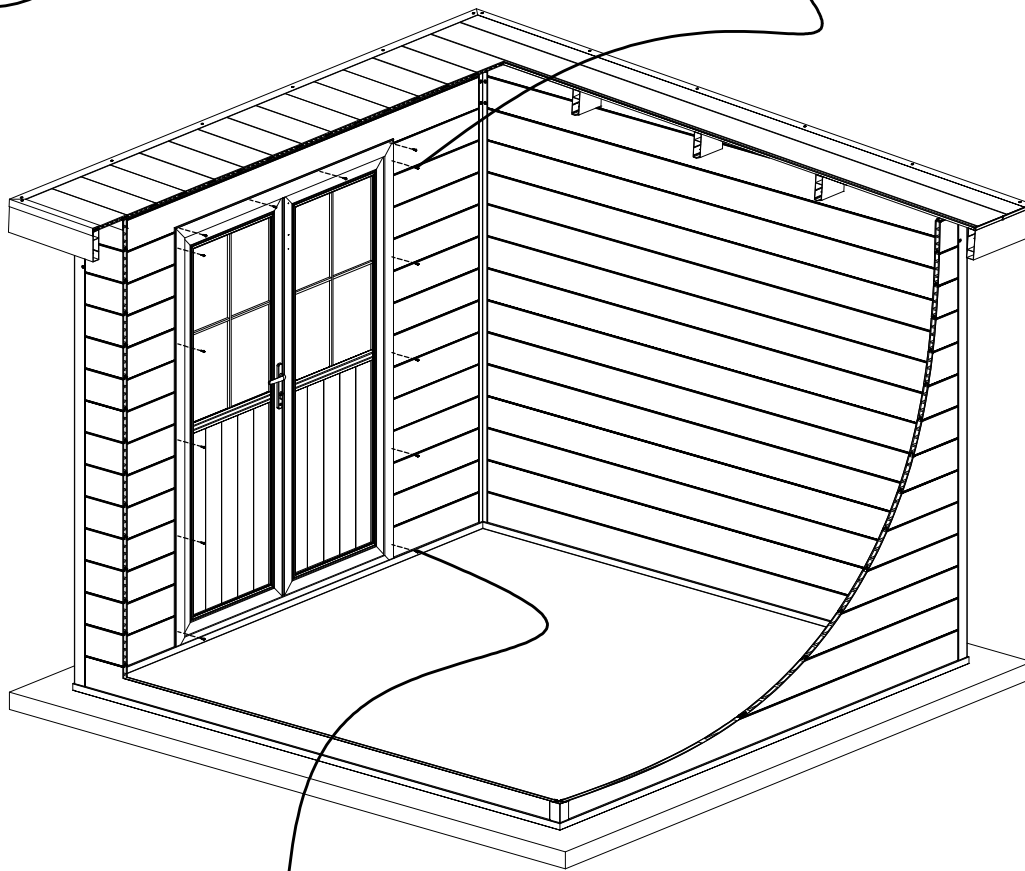
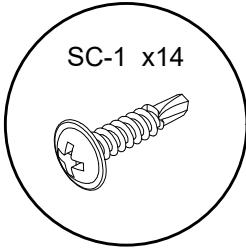
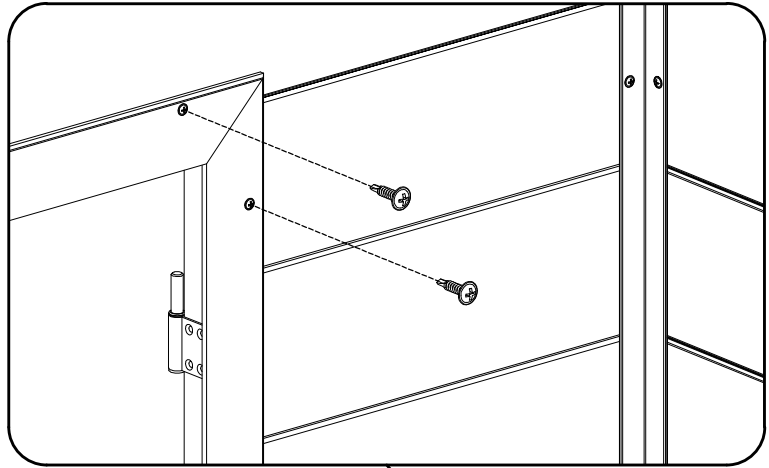
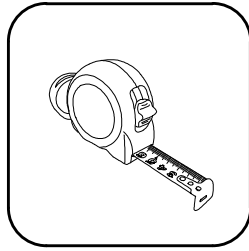
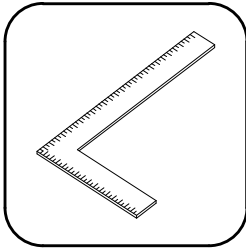
STEP 22:



STEP 23 : DOOR and LOCK



STEP 24 : Connecting Together



STEP 25 :

