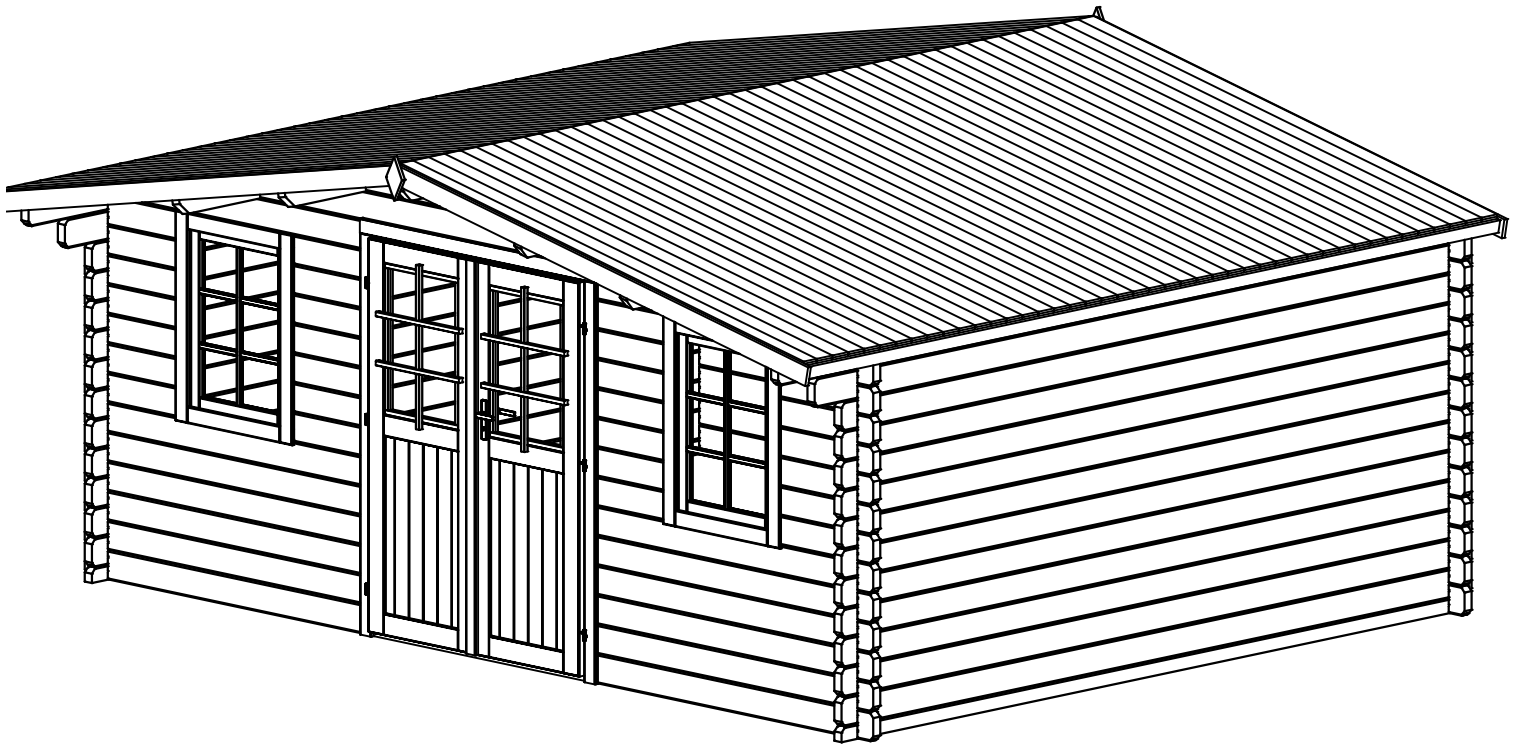


ASSEMBLY INSTRUCTIONS

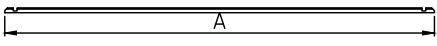

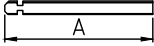

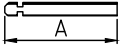

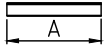



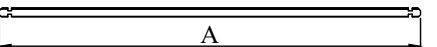

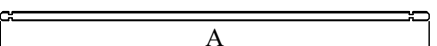

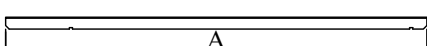

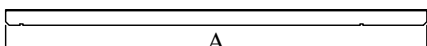
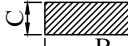
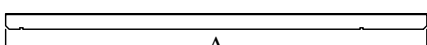

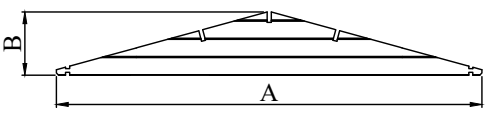
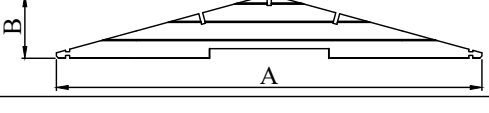

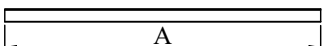

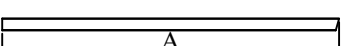

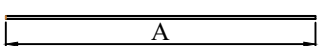



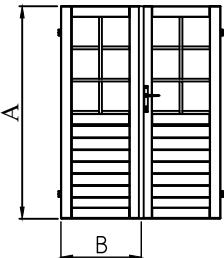
München 8 ISO

4.98 x 3.98 m, 44mm

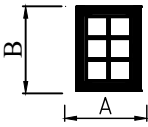
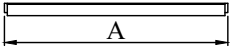

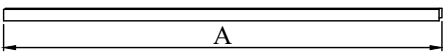
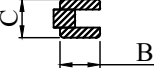
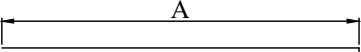
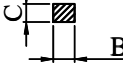


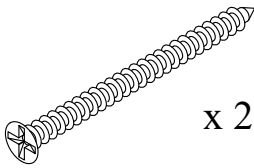
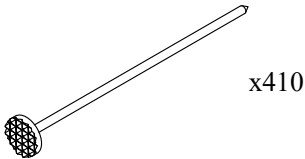
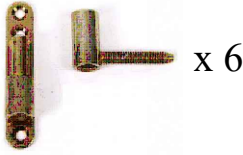
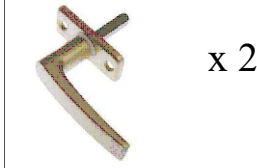
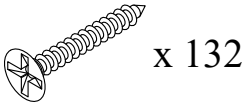

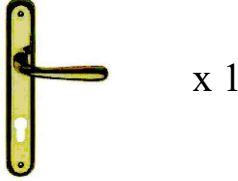
Before beginning the assembly of your garden shed, please read the instructions carefully and follow them closely. By doing so you will avoid unnecessary problems and save time. It is recommended to start the assembly process only once all the components of your shed have been identified, analyzed and classified.

LIST OF ALL PARTS

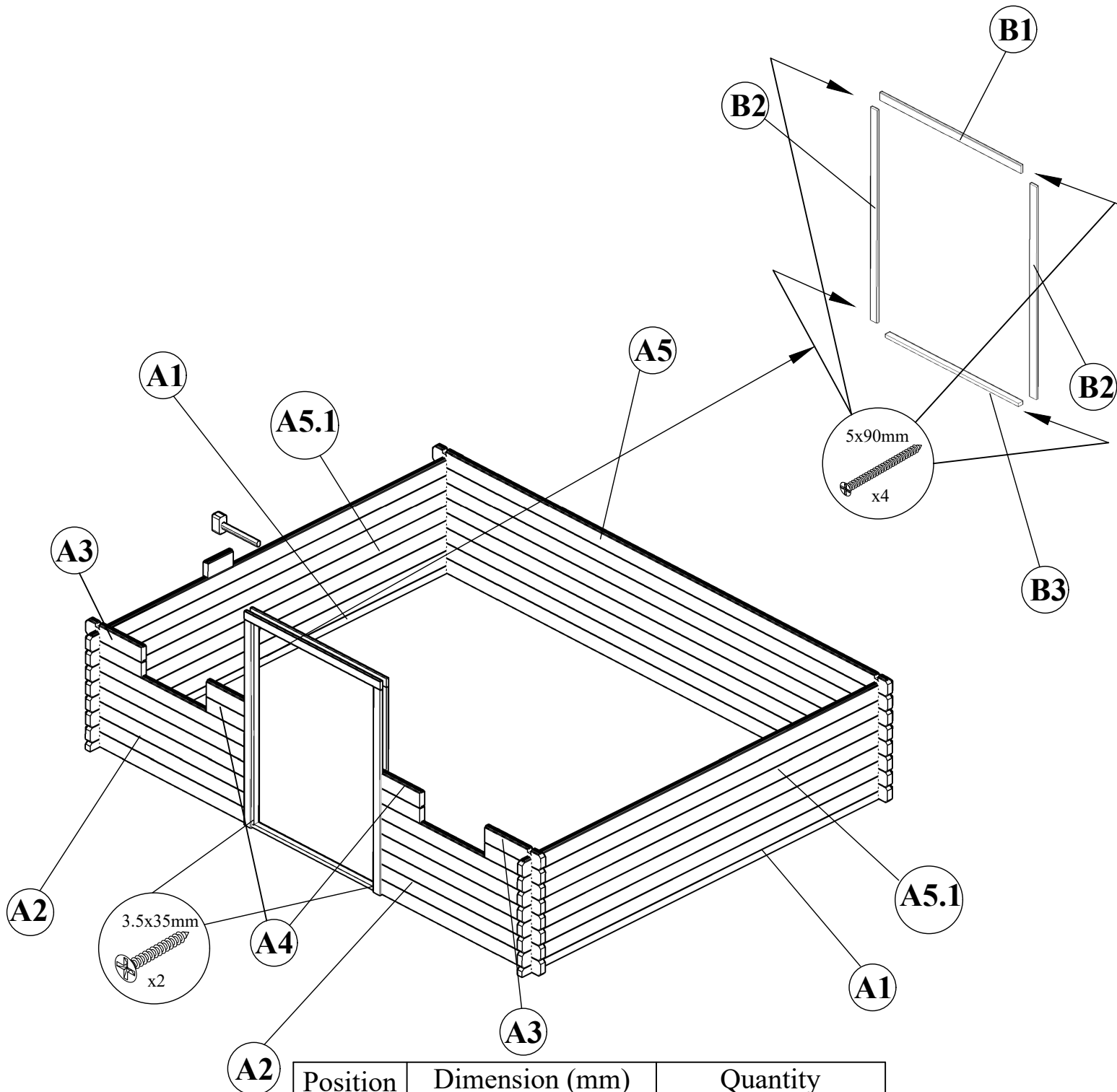
Nr.	Quantity	Dimension, mm			Details	
		A	B	C		
A1	x 2	3980	67,5	44		
A2	x 12	1780	135	44		
A3	x 14	600	135	44		
A4	x 14	465	135	44		
A5	x 13	4980	135	44		
A5.1	x 22	3980	135	44		
A6	x 2	4180	135	44		
A7	x 1+1	4480	135	44		
1	x 4	4480	140	44		
2	x 1	4480	140	44		
3	x 1	4980	540	44		
4	x 1	4980	540	44		
5	x 2	220	100	19		
6	100+2	2660	90	17		
7	4	2700	90	19		
8	6	1490	40	16		
9	4	2240	75	19		
10	1+1	1820	665	40		

LIST OF ALL PARTS

11	x 2	775	1035	82		
B1	x 1	1524	82	90		
B2	x 2	1860	90	82		
B3	x 1	1320	40	44		

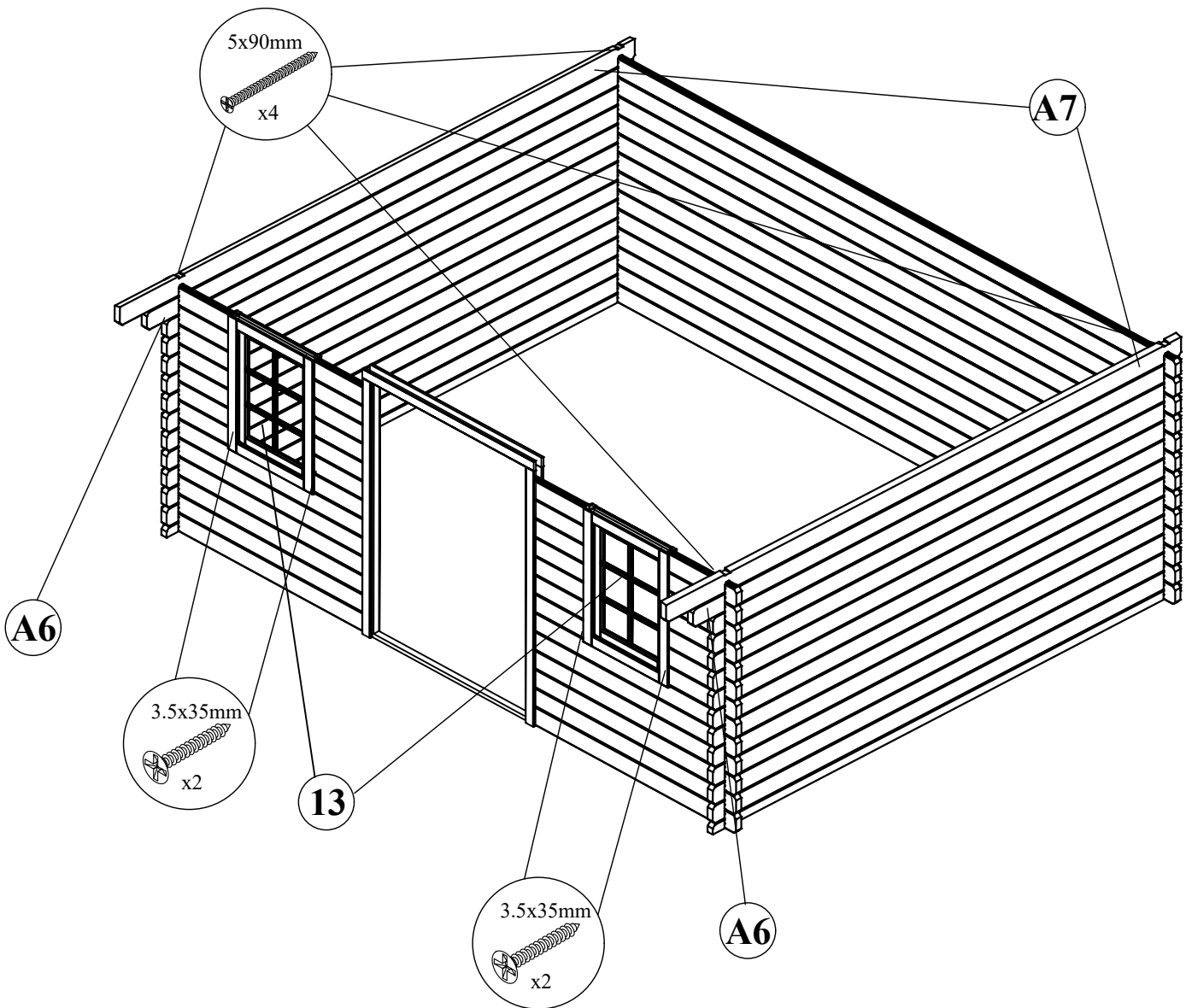
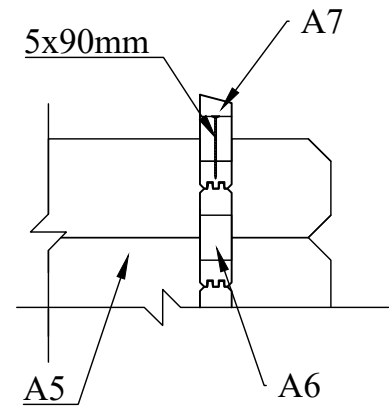
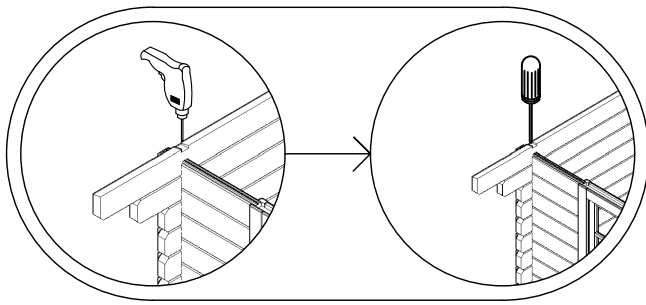
5 x 90	2 x 40	09 13 GZN	501/33Fe/HME
 x 26	 x410	 x 6	 x 2
	3,5 x 35	WRO50	AH9213
	 x 132	 x 2	 x 1

Assembly of walls and the frame of door



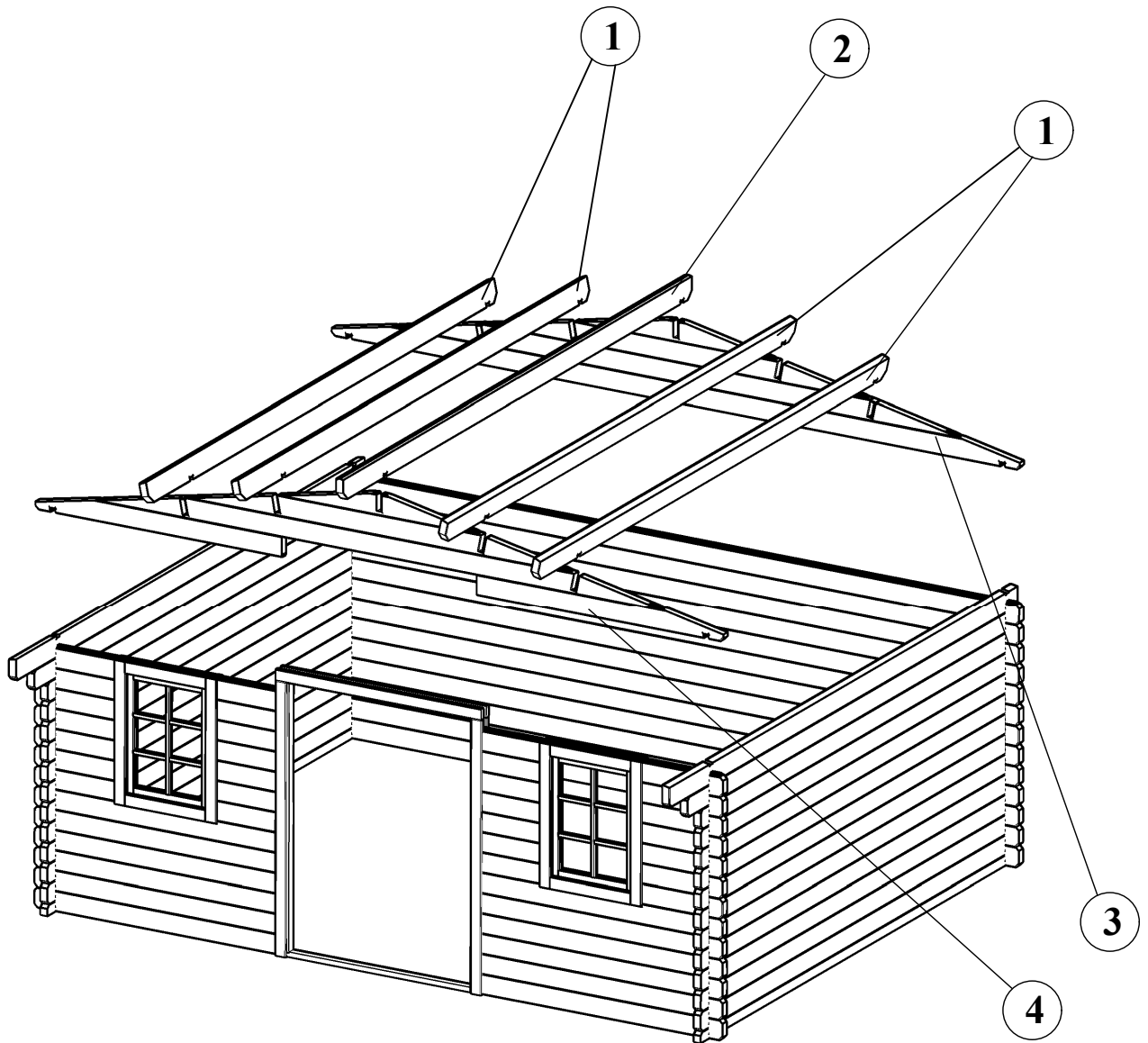
Position	Dimension (mm)	Quantity
A1	3980 x 67.5 x 44	2
A2	1780 x 135 x 44	12
A3	600 x 135 x 44	14
A4	465 x 135 x 44	14
A5	4980 x 135 x 44	13
A5.1	3980 x 135 x 44	22
B1	1524 x 90 x 82	1
B2	1860 x 90 x 82	2
B3	1320 x 40 x 44	1

Assembly of top wall-boards



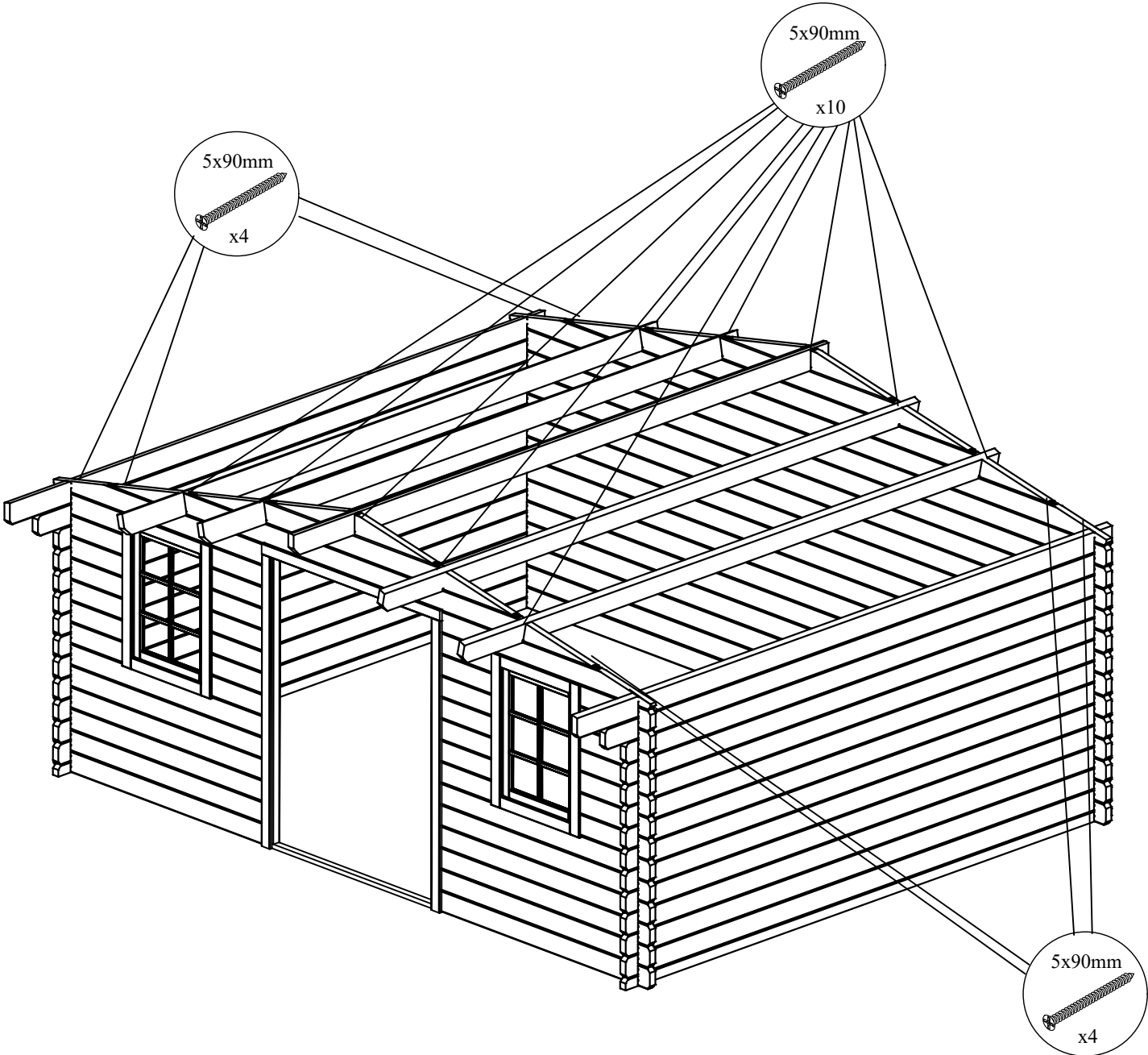
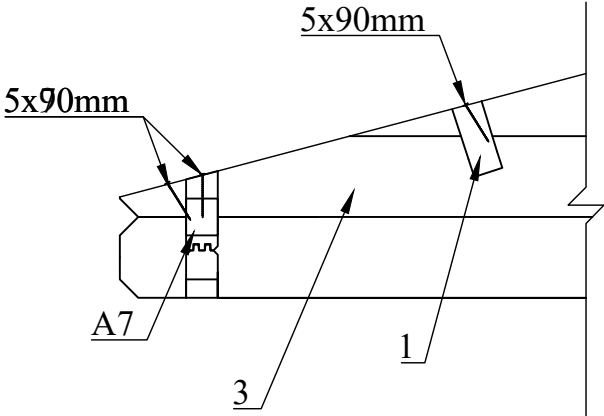
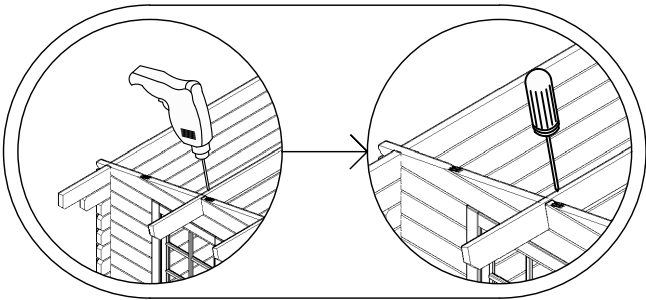
Position	Dimension (mm)	Quantity
A6	4180 x 135 x 44	2
A7	4480 x 135 x 44	1+1
11	775 x 1035 x 82	2

Assembly of gables and roof beams

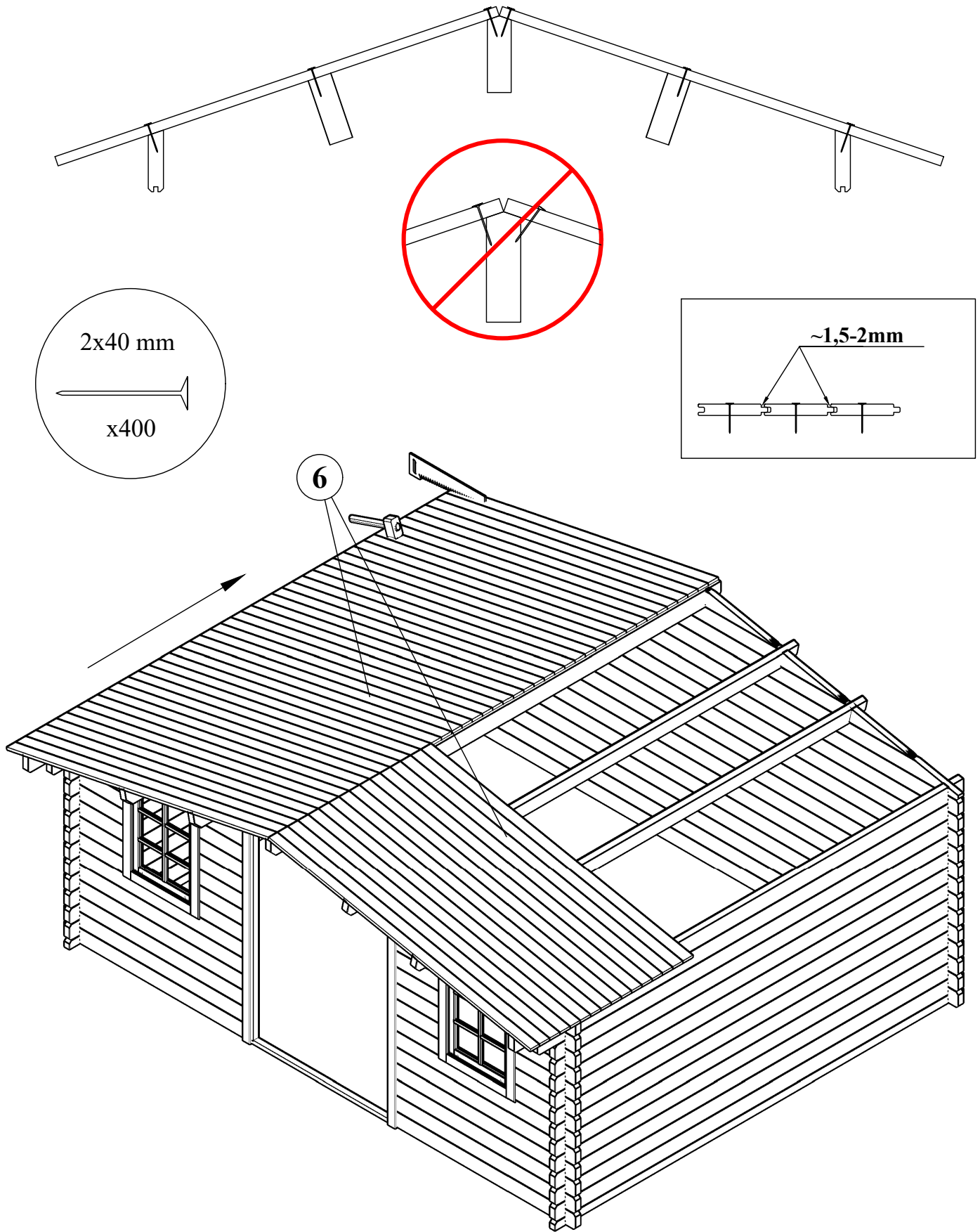


Position	Dimension (mm)	Quantity
1	4480 x 140 x 44	4
2	4480 x 140 x 44	1
3	4980 x 540 x 44	1
4	4980 x 540 x 44	1

Fixing gables and roof beams

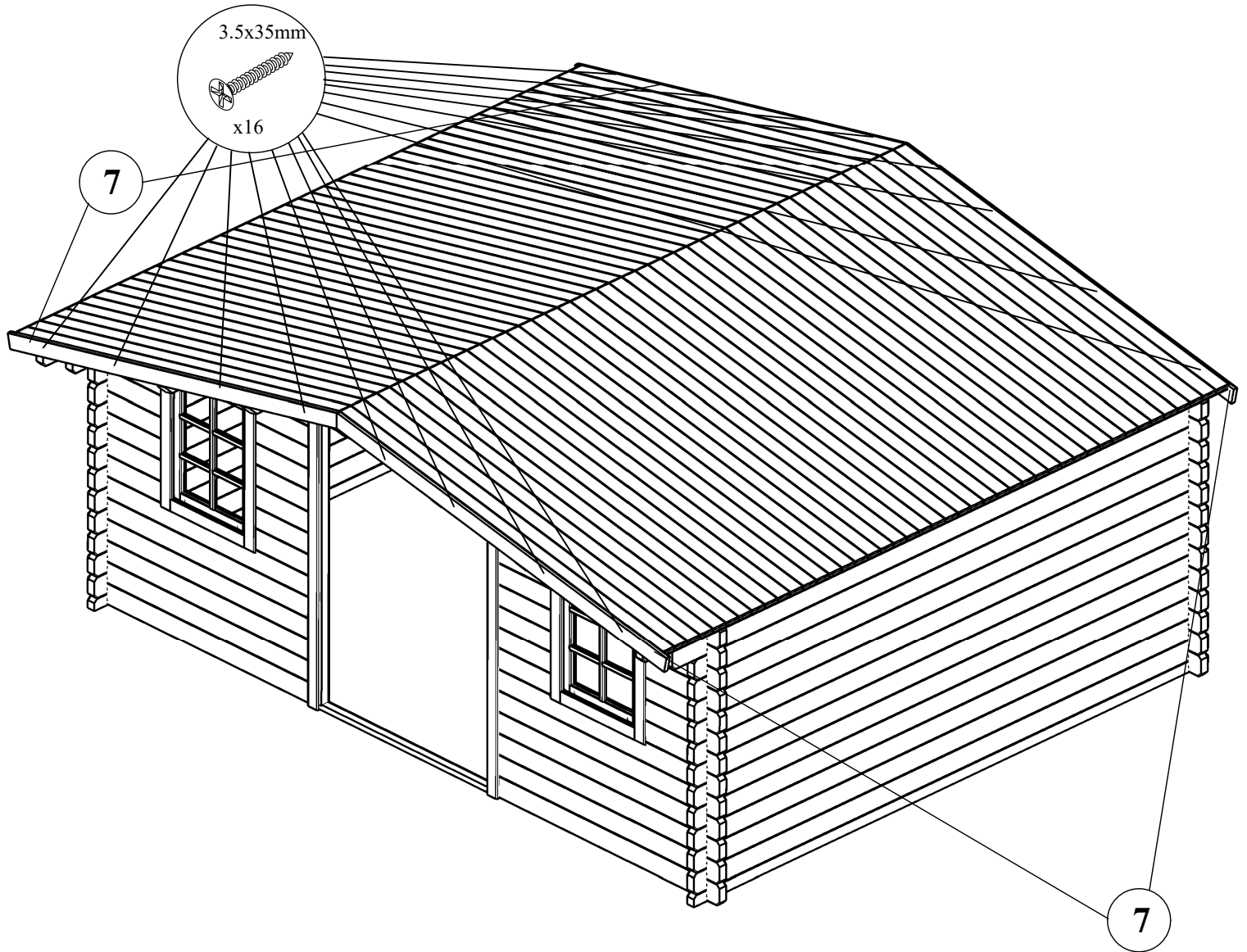


Installing the roof board



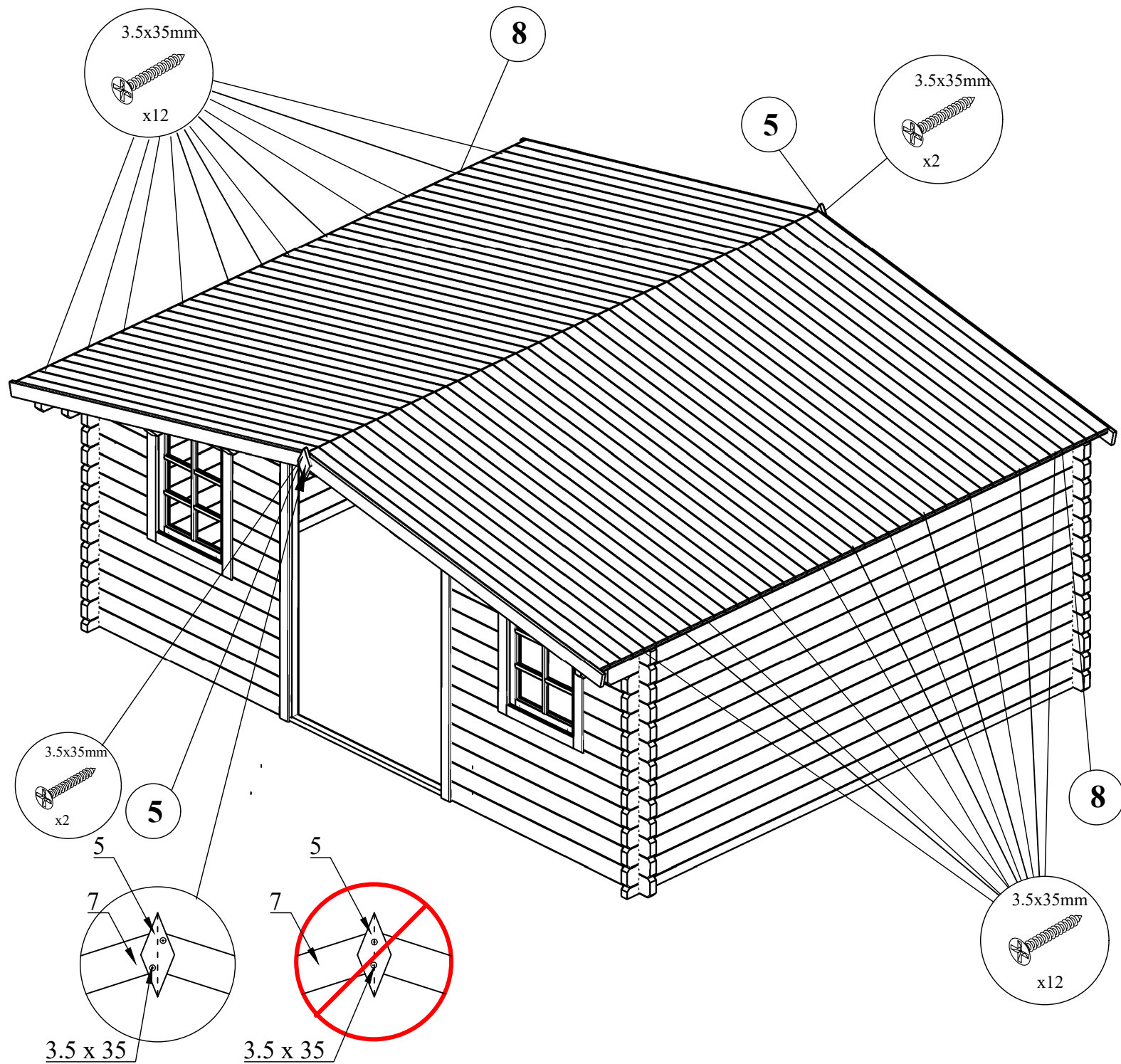
Position	Dimension (mm)	Quantity
6	2660 x 90 x 17	100 (+2)

Installing fascia



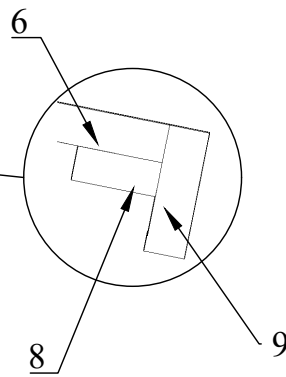
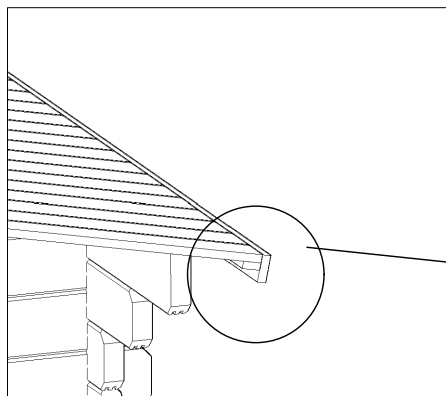
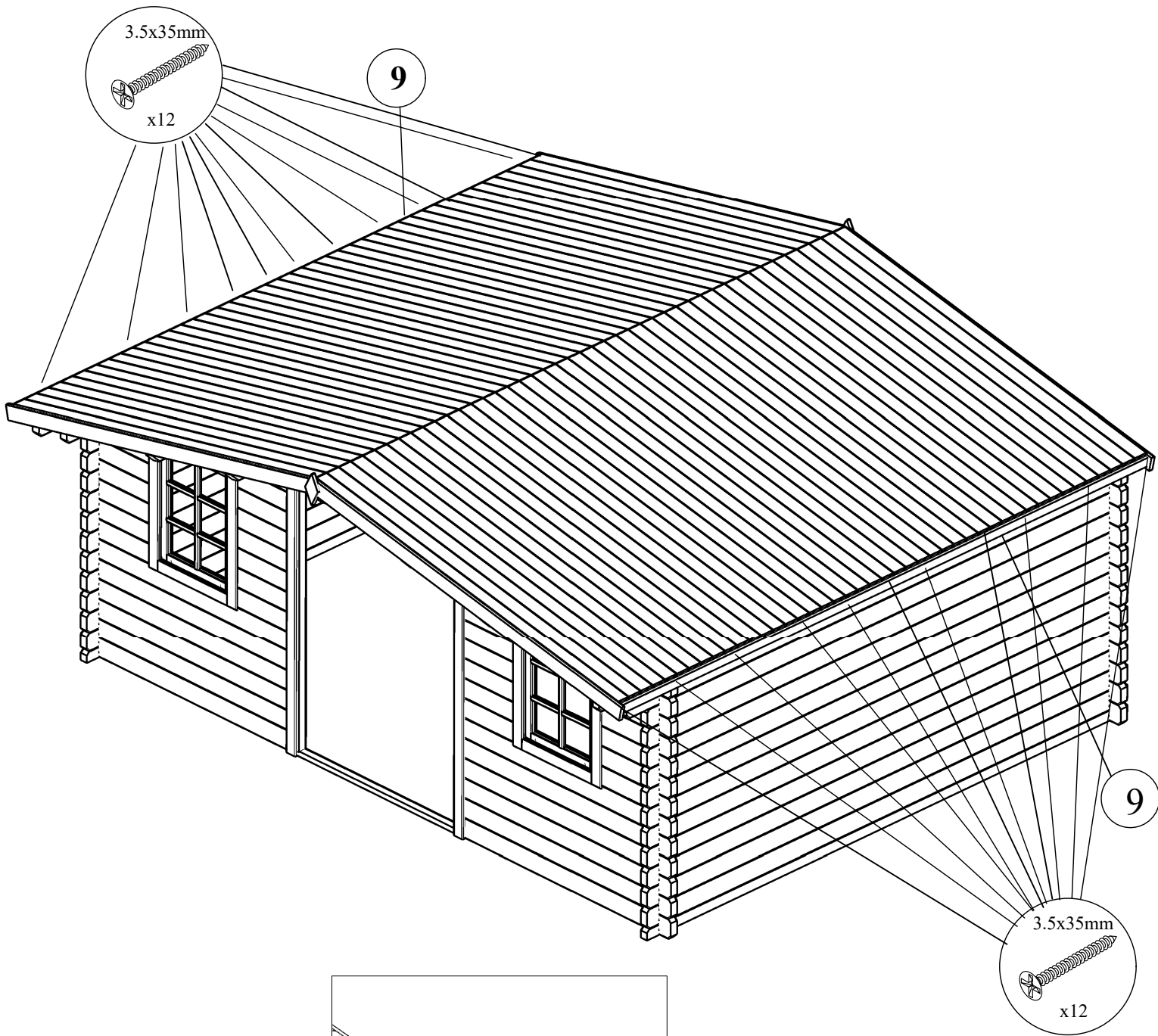
Position	Dimension (mm)	Quantity
7	2700 x 90 x 19	2+2

Installing fascia



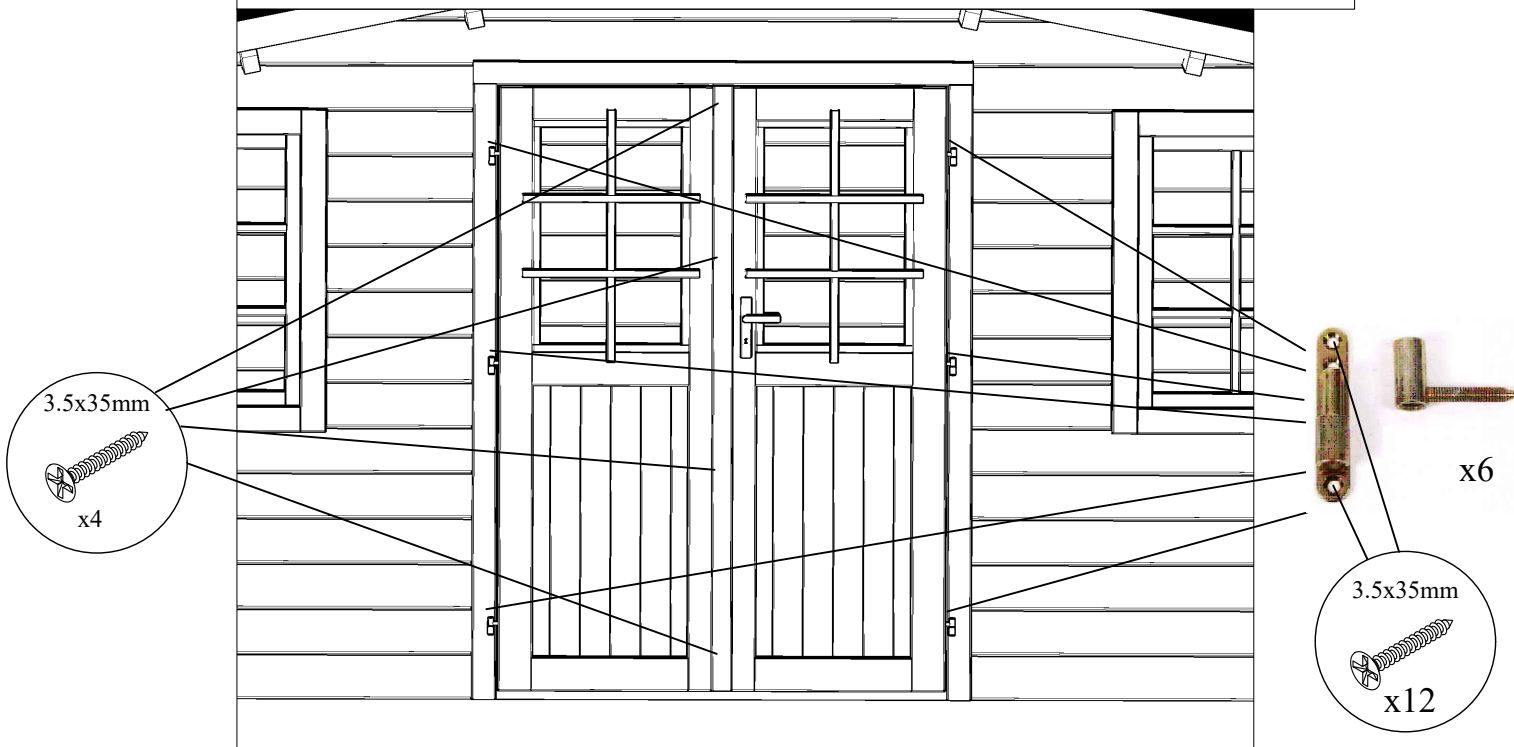
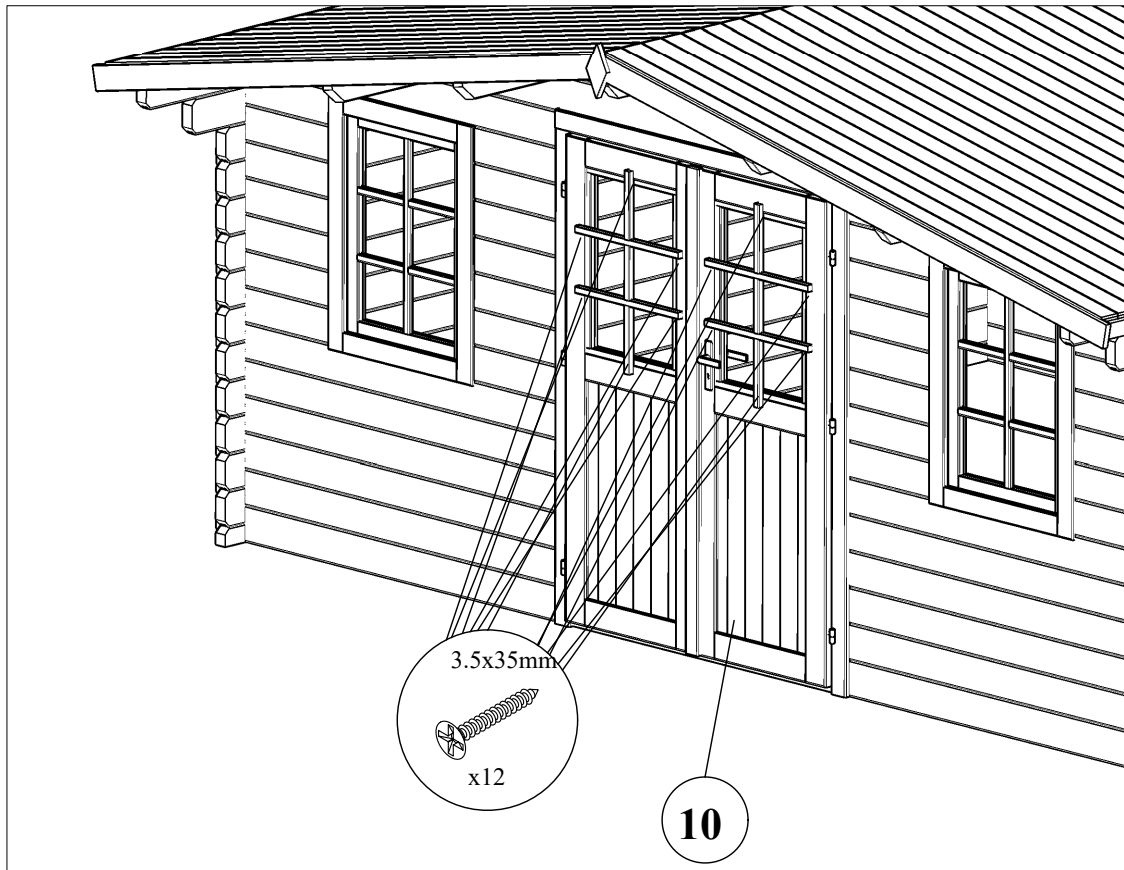
Position	Dimension (mm)	Quantity
8	1490 x 40 x 16	6
5	220 x 100 x 19	2

Installing fascia



Position	Dimension (mm)	Quantity
9	2240 x 75 x 19	4

Installing the door



Position	Dimension (mm)	Quantity
10	1820 x 665	1 + 1

Installing the handles and the doorshuts

