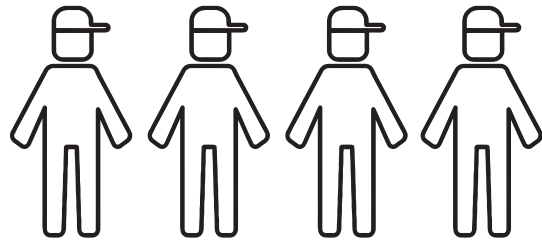
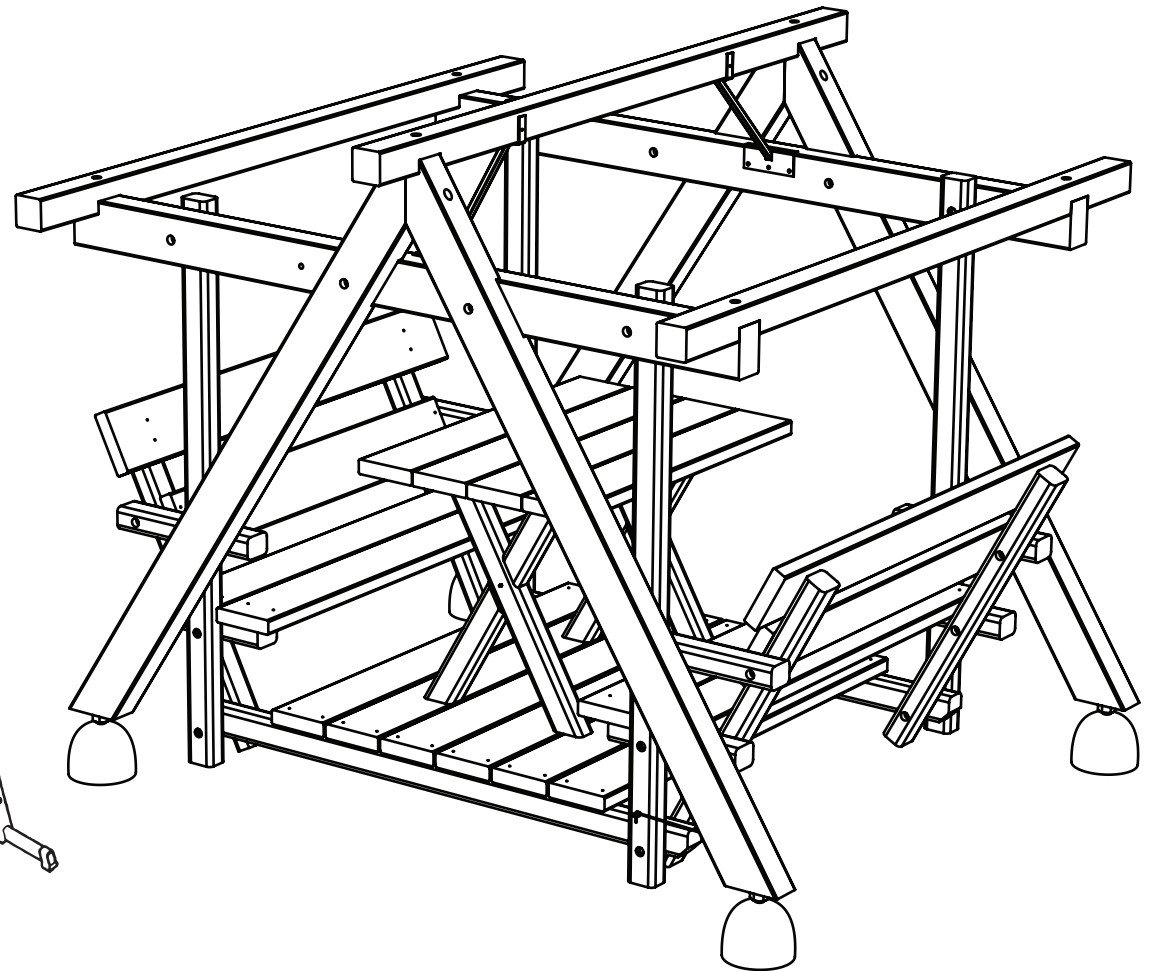
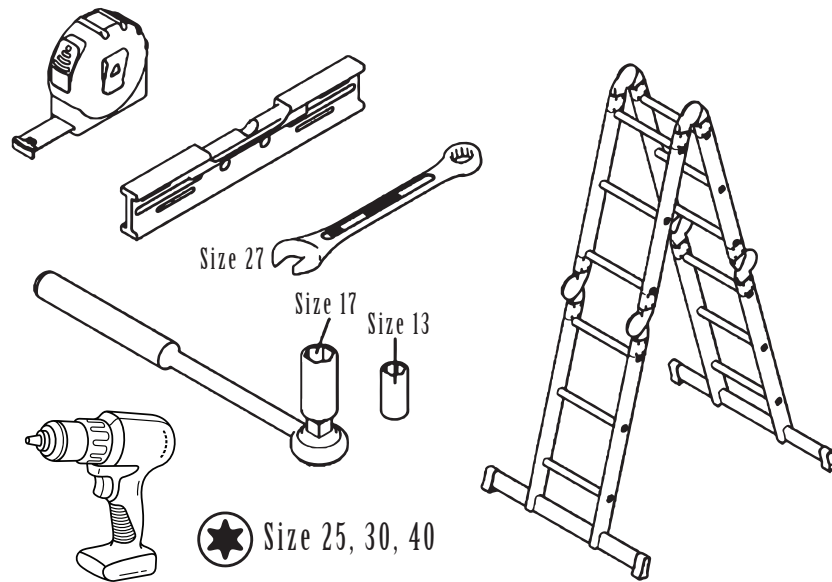


ASSEMBLY INSTRUCTIONS

The Captain Barbeque is protected by the respective Estonian and EU design patents (HABM Nr. 000238001-0001/0002/0003).
Non-authorised producing a device covered by the patent or its any parts is strictly prohibited.



Tools required:



NELSON
STERNOBERG.EE

The general guide to store and assembly the Captain's Swing

I. STORAGE

1. The general term for the storage.

If you don't want to install the product immediately after having received it, you have to store it on a plane surface under the waterproof cover- so the product is protected against different weather conditions such as humidity and sunshine.

2. The timber as a natural material.

Timber as natural material acts differently due to weather conditions – may occur cracks on long hot weather periods and on rainy periods the cracks shrink – that does not occur material quality. But if you take care of Captain's swing wooden parts, then you will enjoy the swing for years. After being processed with a preservative the wood can have some slight shade differences, but that does not affect the timber's durability.

3. The circumstances stated to void complaints:

Wood shade differences – it does not affect timber durability. Material claims will not be accepted if they occur because the product has been left untreated OR if they occur after processing. Subsequent complaints – improper installation, splay of Captain's Grill due to improper foundation – are not accepted. Cracks which are not though the material would not affect the material durability and are not accepted as a complaint.

4. Documentation:

The Assembly instructions with the specification of the details of the Captain's Grill.

5. NB!:

The manufacturer has rights to make technical changes.

II. ASSEMBLING

1. Check the set:

Please check immediately after opening the package and before assembly all the set, use the assembly instructions and the details list that you have received to be sure that you have a complete and undamaged product!

2. Processing the product.

To maximise your product's life, you should give at least 1 layer of paint (or other wood preservative) before assembly. 2 months after assembly you should add an extra layer of paint, after which our customer should act so as wood preservative producer suggests. NB! Even if the purchased Captain's swing is already painted, we suggest to add one extra layer of paint on the first year, to ensure the product would be protected the best way and stays beautiful. Processing the Captain's Grill helps to protect wooden parts against weather factors such as sunshine (UV) and rain (molding opportunity). We recommend air-permeable wood protective preservatives to protect the wood well. Sternoberg OÜ uses Remmers HK Lasur products.

3. The roof

The roof of the Captain's Grill is made of spruce. As the roof is made up of boards then it may let some water through because of the knots. To avoid this situation, we are suggesting to mark those spots and later, when the roof is dry to treat the those spots under the roof with waterproof silicone.

