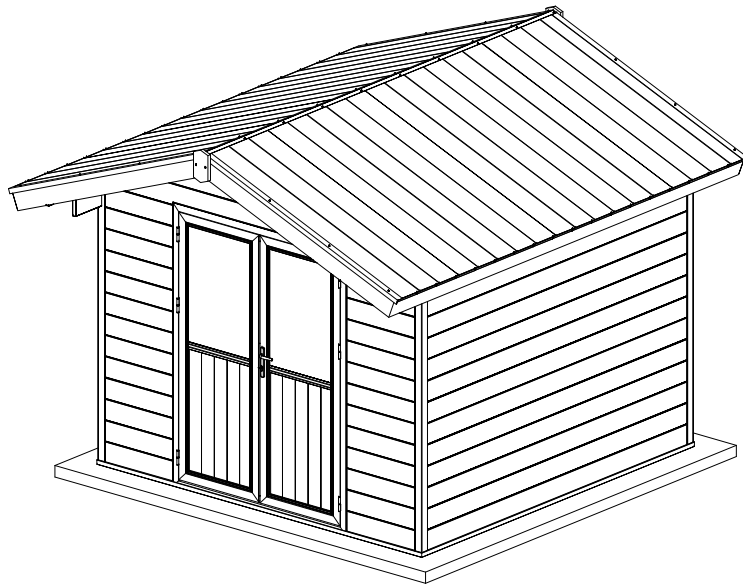
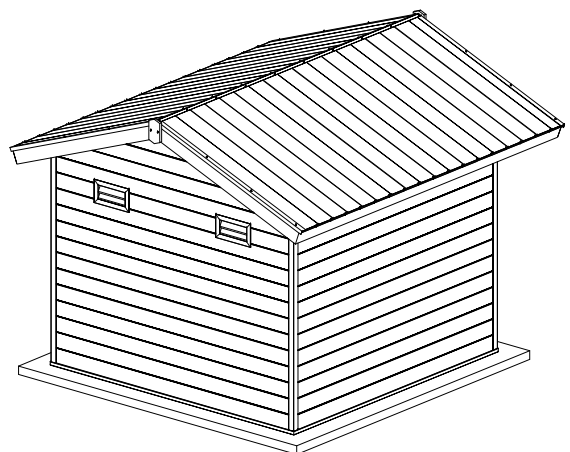
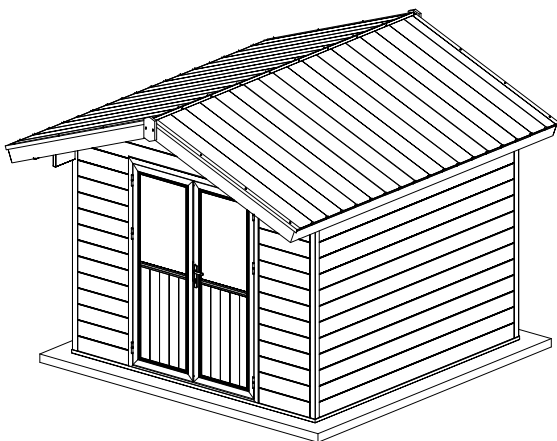
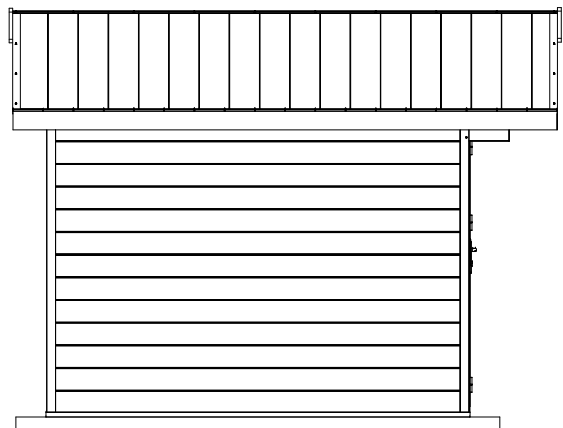
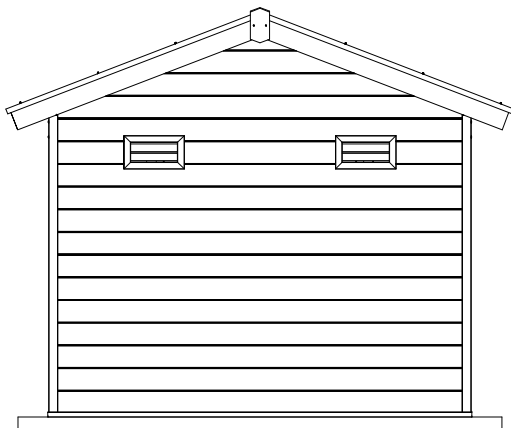
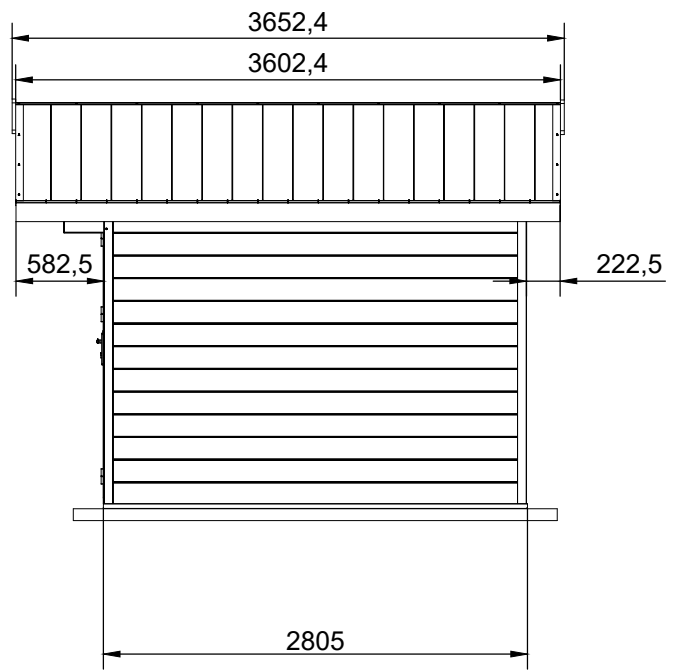
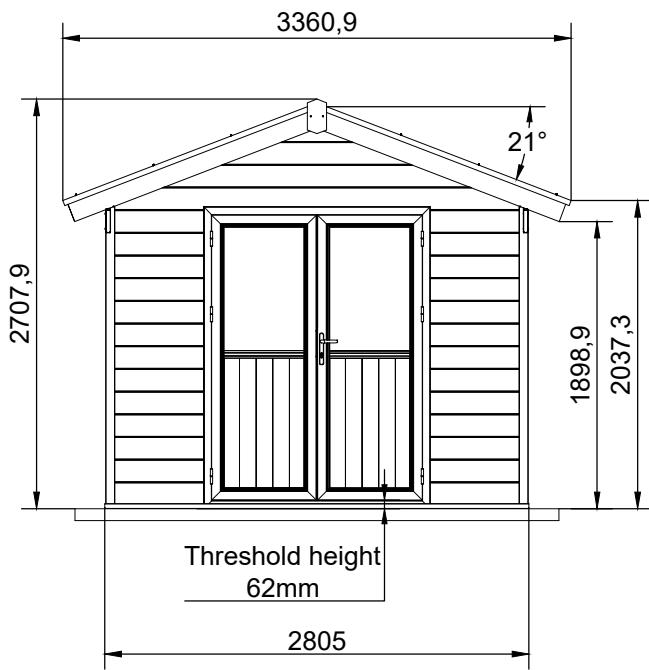


WPC GARDEN SHEDS INSTALLATION MANUAL FOR XF-H014

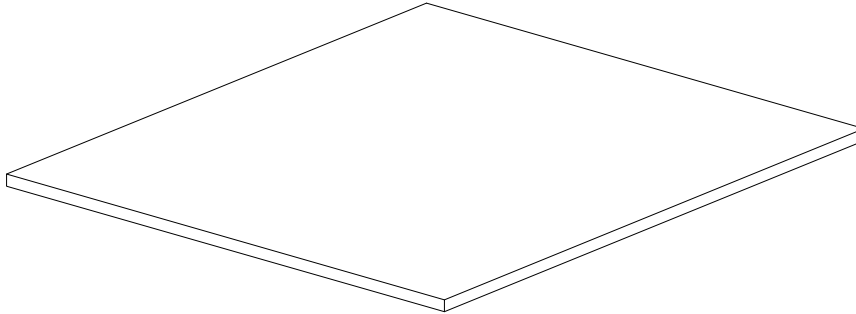


APPEARANCE & SIZE :

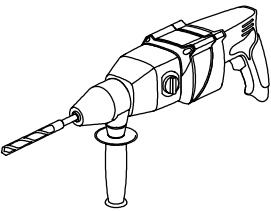
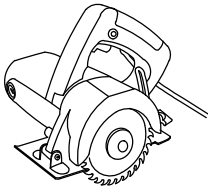
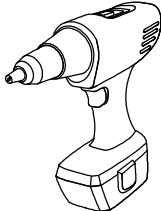
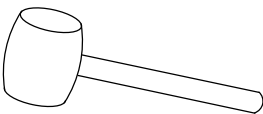
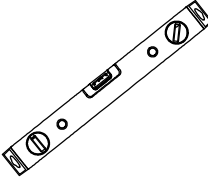
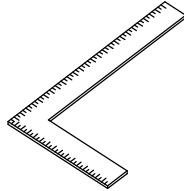
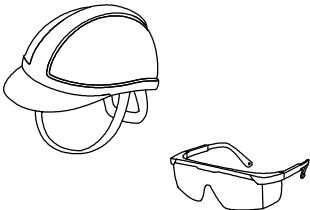
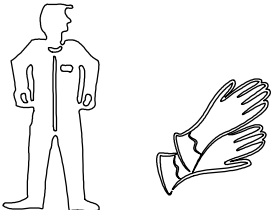
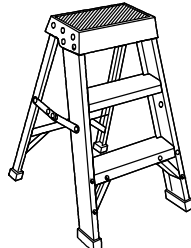


Installation Requirement :

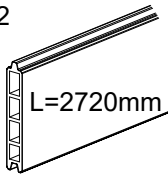
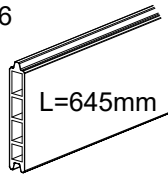
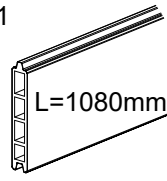
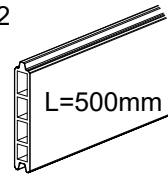
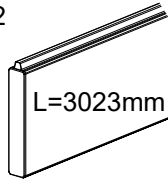
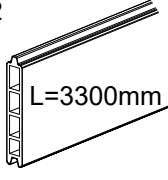
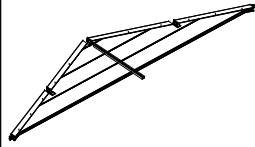
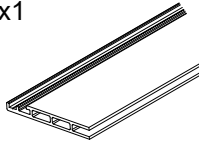
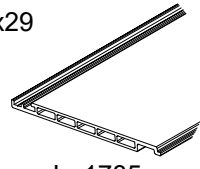
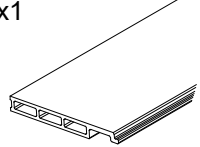
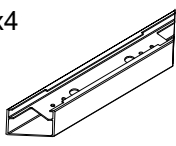

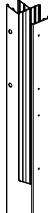


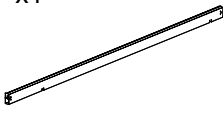
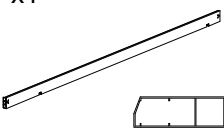
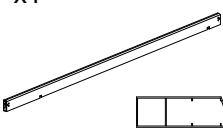
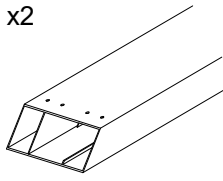
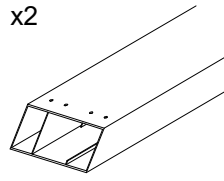
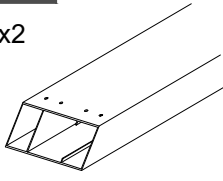
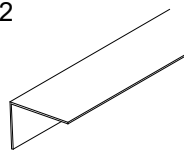
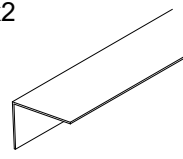
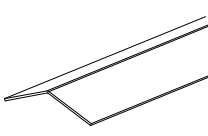
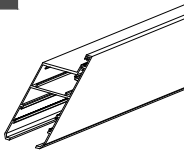
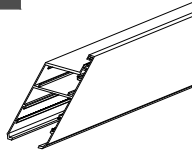
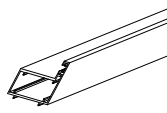
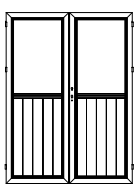
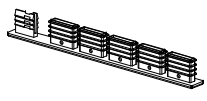
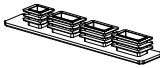
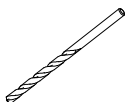
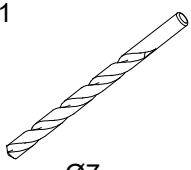
When do the assembling of a garden shed, a hard and flat ground without slope is needed. Please also make sure that the installation site has a good ventilation and drainage condition.



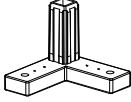
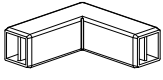
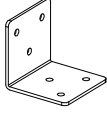
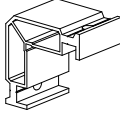
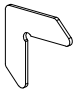
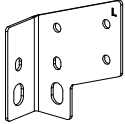
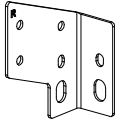
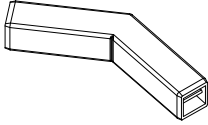
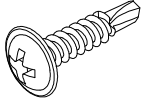
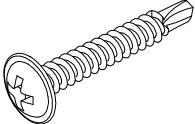
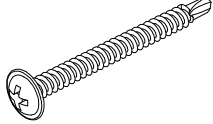
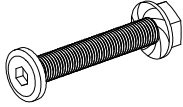


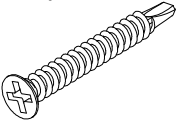
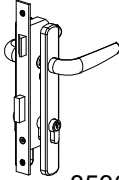
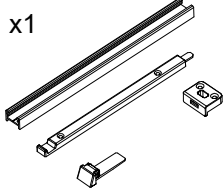
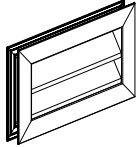
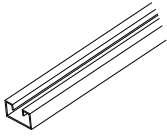
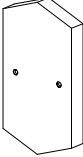
When dealing with any type of construction project, it is necessary to wear appropriate safety equipment to avoid any risk of injuries. We recommend but not only limited to the following safety equipment when handling, cutting, and installation : gloves, eye protector, respirator, long sleeves and pants.

| | | |
|--|--|---|
| <p>Impact electric drill</p>  | <p>Cutting machine</p>  | <p>Electric screwdriver</p>  |
| <p>Tape & Hammer</p>  | <p>Levelling Instrument</p>  | <p>L-square</p>  |
| <p>Safety helmet & Goggles</p>  | <p>Work clothes, gloves & protective shoes</p>  | <p>Ladder</p>  |

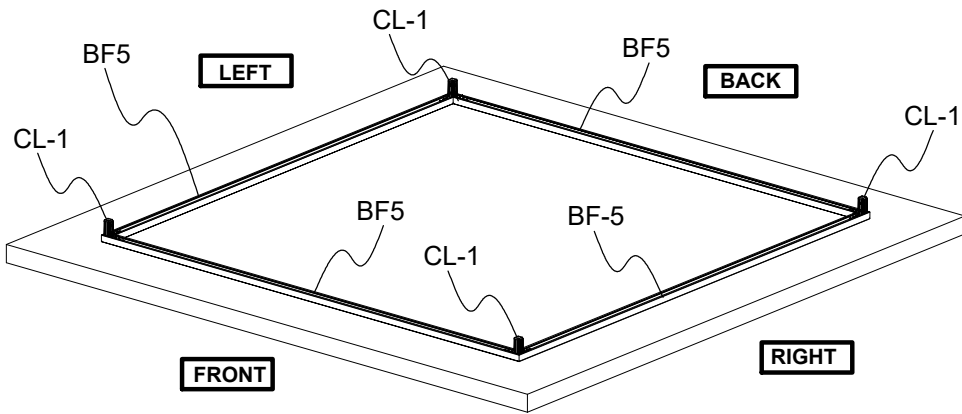
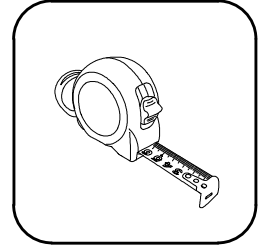
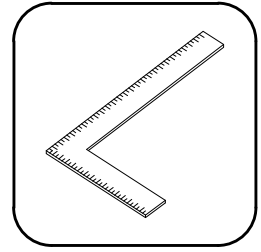
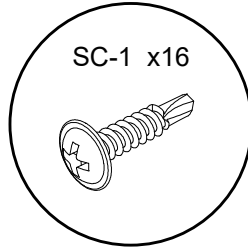
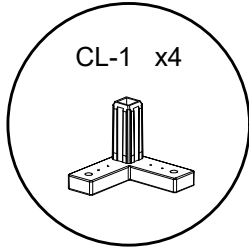
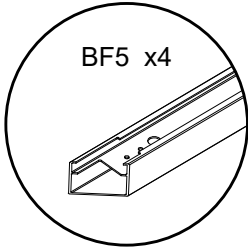
List of components

| | | | | |
|--|--|--|--|--|
| WP11 x42  L=2720mm | WP12 x26  L=645mm | WP19 x1  L=1080mm | WP20 x2  L=500mm | WP21 x2  L=3023mm |
| WP22 x2  L=3300mm | WP23  | TP10 x1  L=1785mm | TP11 x29  L=1785mm | TP12 x1  L=1785mm |
| BF5 x4  L=2805mm | MF11 x1  | MF12 x1  | MF13 x1  | MF14 x1  |
| TF20 x1  L=3520mm | TF21 x1  L=3520mm | TF22 x1  L=3520mm | TF23 x2  | TF24 x2  |
| TF25 x2  L=3600mm | TF26 x2  | TF27 x2  | TF27 x1  | |
| DF1 x2  L=1965mm | DF2 x1  L=1502mm | DF3 x1  L=1502mm | DP-1 x1  | |
| Spare parts x2  | Spare parts x3  | TOOL1 x1  Ø2.8 | TOOL2 x1  Ø7 | |

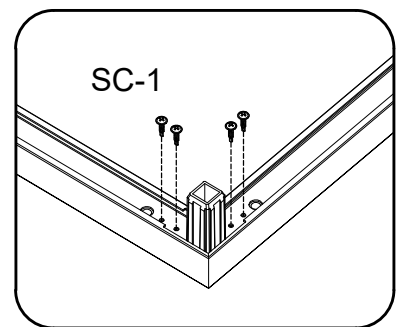
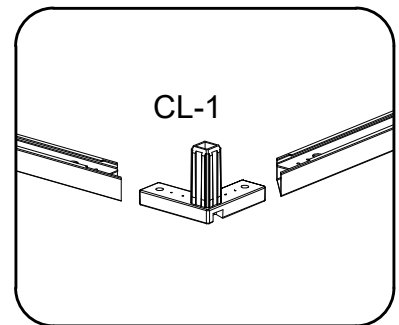
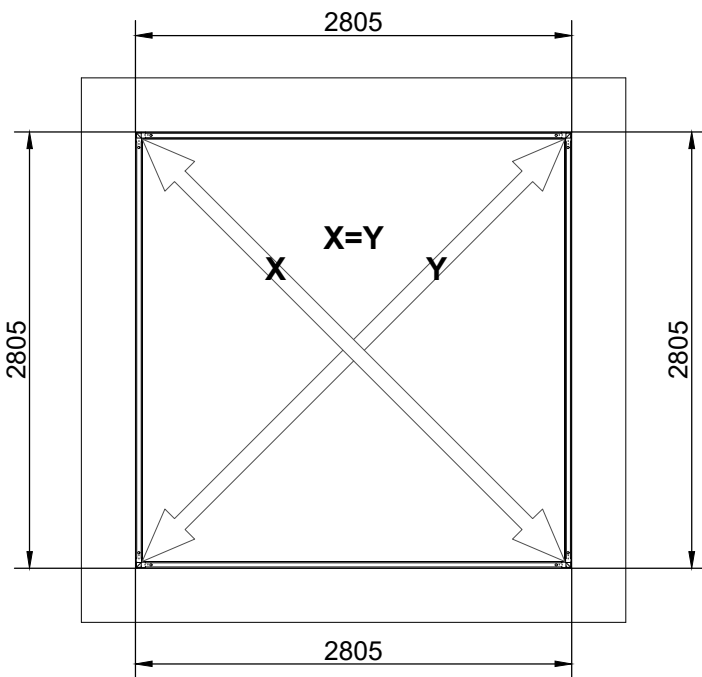
List of components

| | | | | |
|--|--|--|--|---|
| <p>CL-1</p> <p>x4</p>  | <p>CL-3</p> <p>x8</p>  | <p>CL-4</p> <p>x24 + spare 4</p>  | <p>CL-8</p> <p>x4</p>  | <p>CL-9</p> <p>x4 + spare 2</p>  |
| <p>CL-10</p> <p>x2</p>  | <p>CL-11</p> <p>x2</p>  | <p>CL-12</p> <p>x4</p>  | | |
| <p>SC-1</p> <p>x435 + spare 165</p>  <p>M4.2x20mm</p> | <p>SC-2</p> <p>x32 + spare 8</p>  <p>M4.2x30mm</p> | <p>SC-3</p> <p>x8 + spare 4</p>  <p>M4.2x60mm</p> | <p>SC-4</p> <p>x16 + spare 4</p>  <p>M6x40mm</p> | <p>SC-5</p> <p>x8 + spare 2</p>  <p>x12</p> <p>Ø8x80mm</p> |
| <p>SC-7</p> <p>x8 + spare 2</p>  <p>M6</p> | <p>SC-8</p> <p>x8 + spare 4</p>  <p>M4.2x30mm</p> | | | |
| <p>SU-1</p> <p>x1</p>  <p>8530</p> | <p>SU-2</p> <p>x1</p>  | <p>WD2</p> <p>x2</p>  | | |
| <p>OT-1</p> <p>x2</p>  | <p>OT-2</p> <p>x2</p>  | | | |

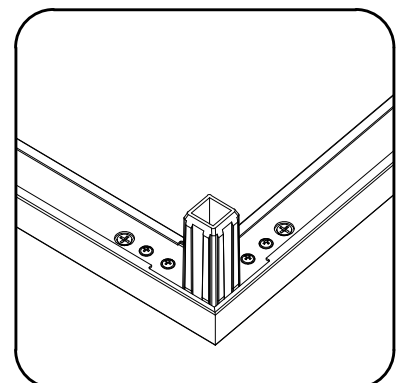
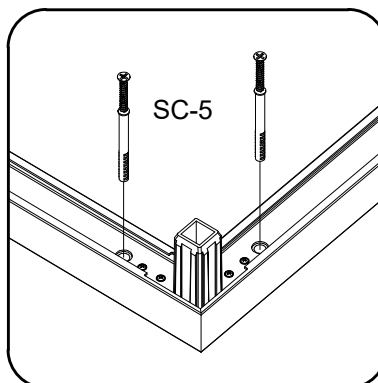
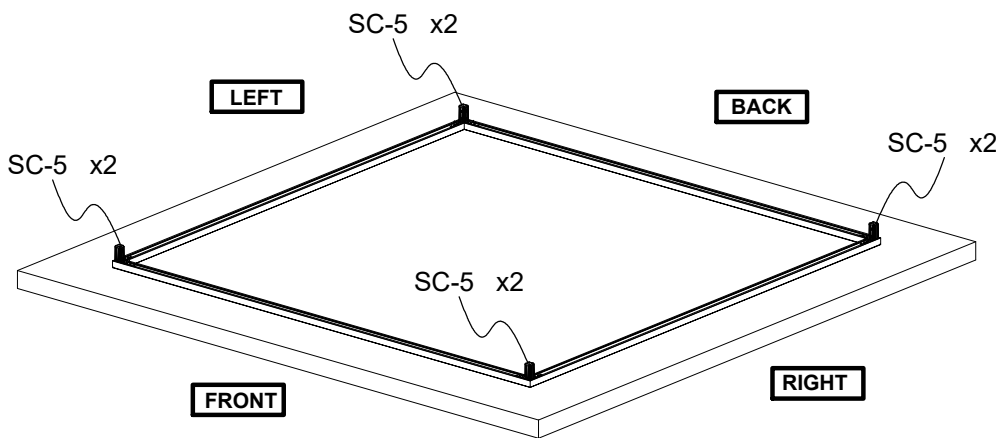
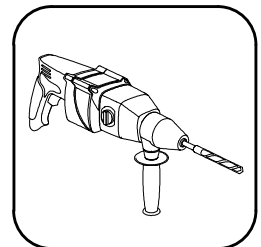
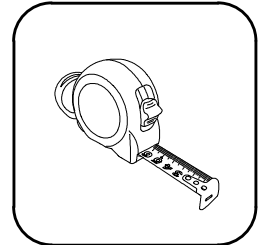
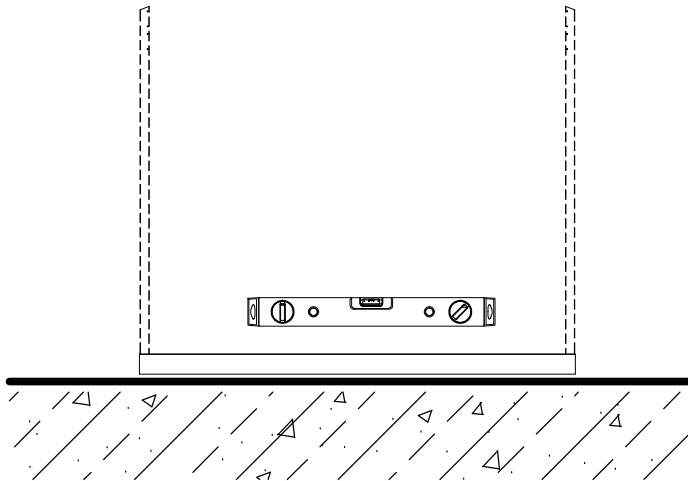
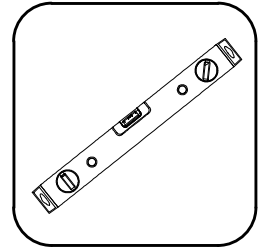
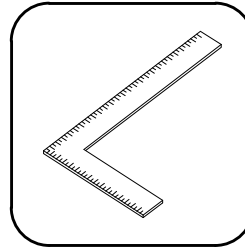
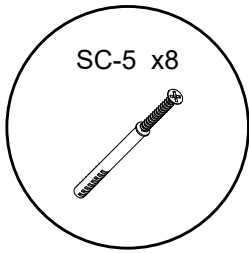
STEP 1 :



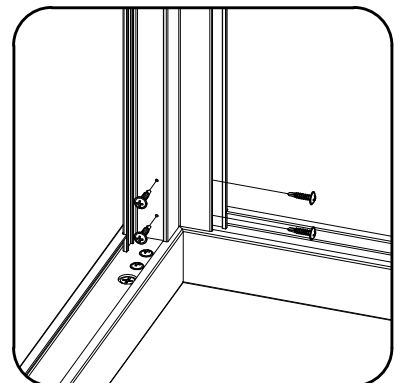
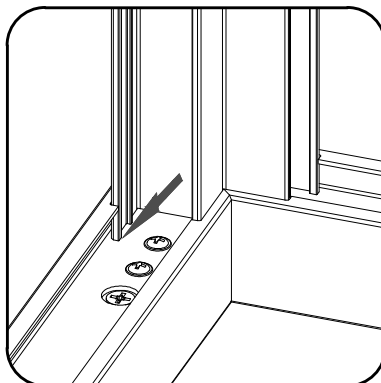
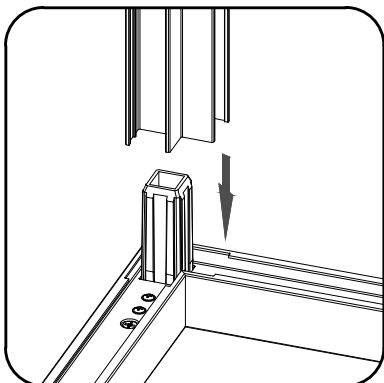
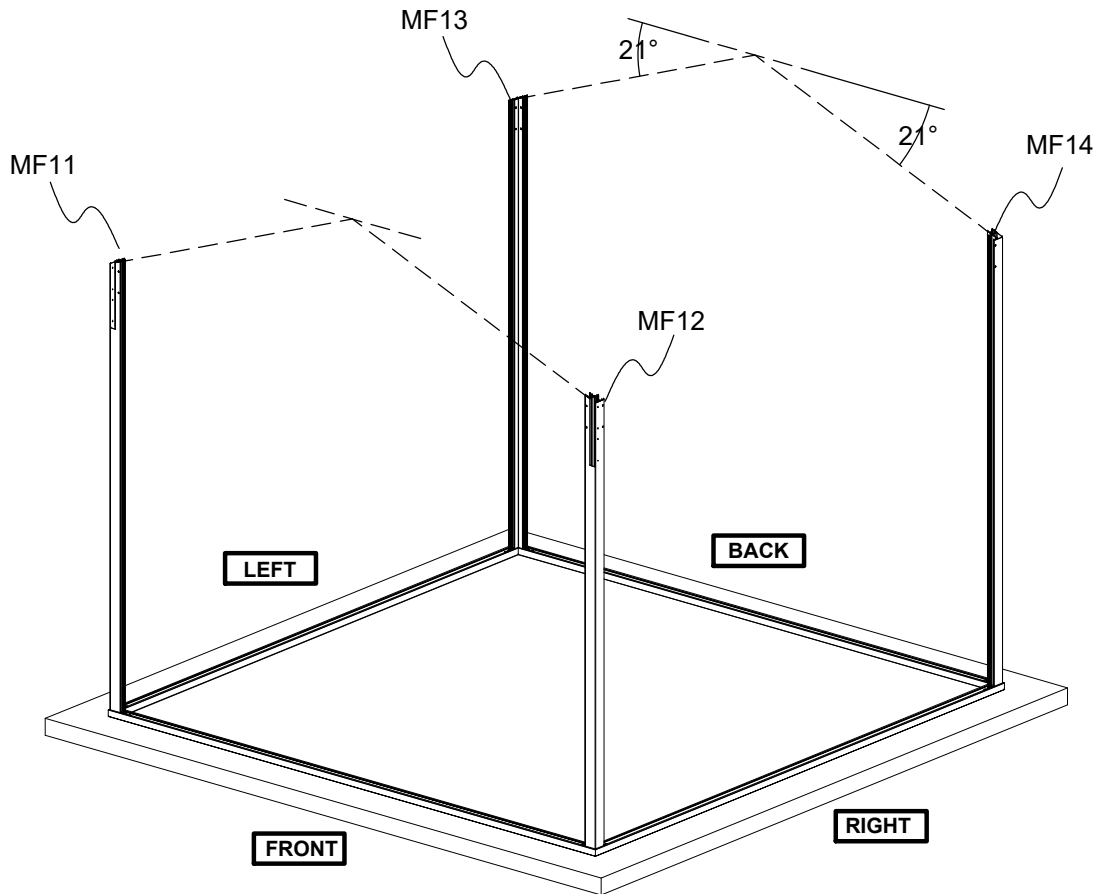
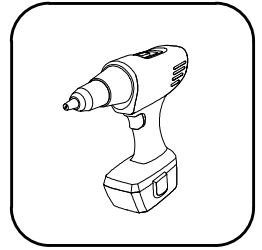
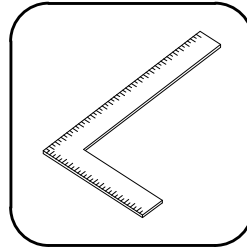
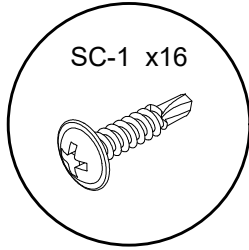
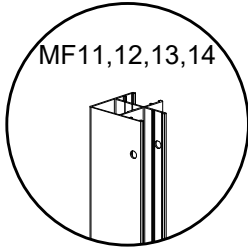
Dimension:



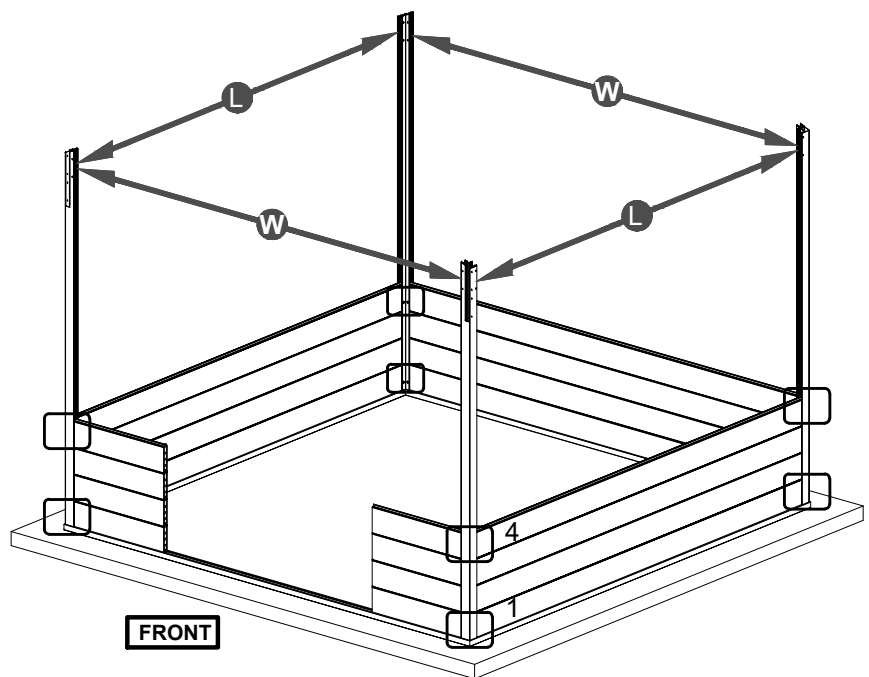
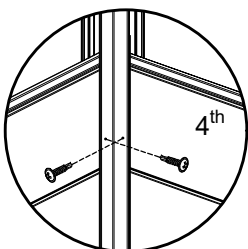
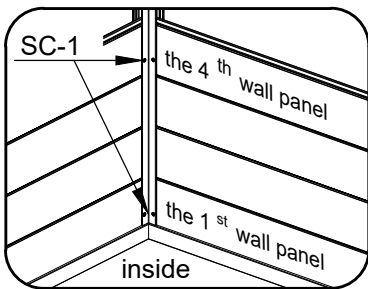
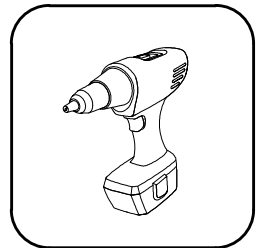
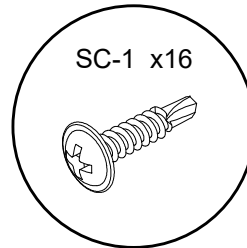
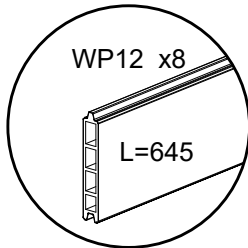
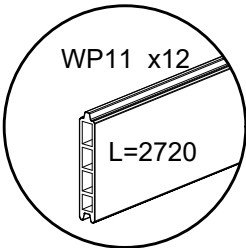
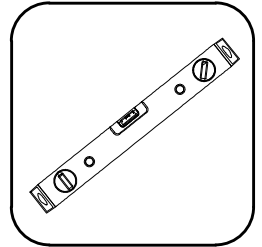
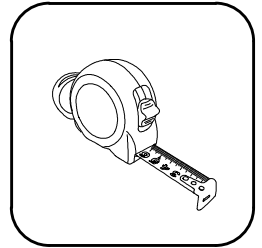
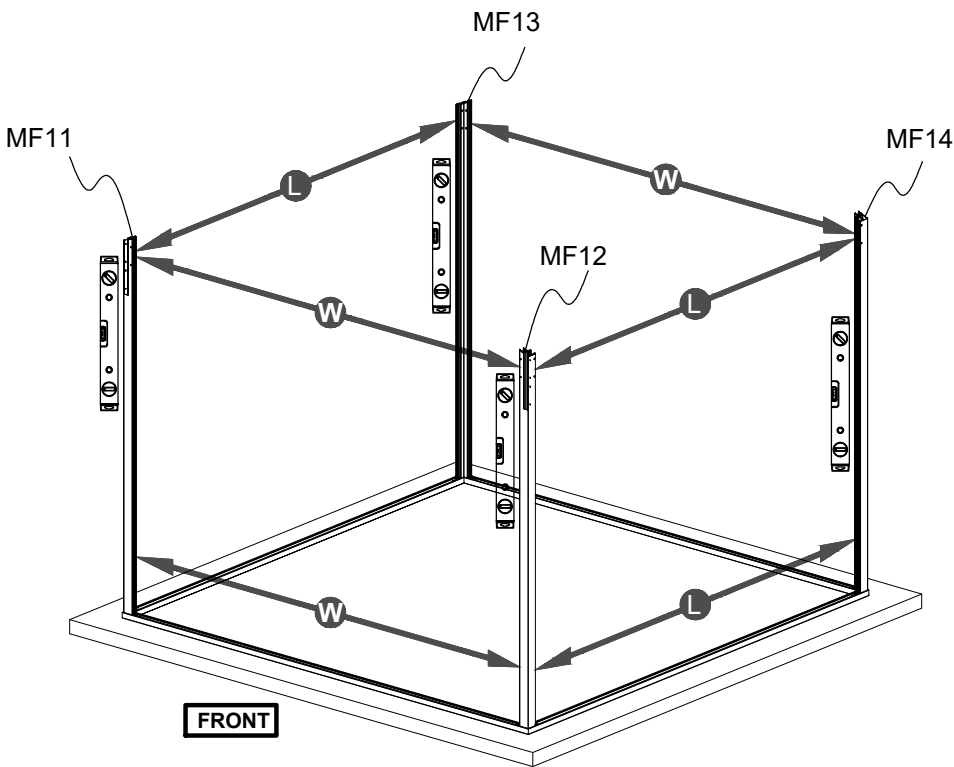
STEP 2 : Expansion screws



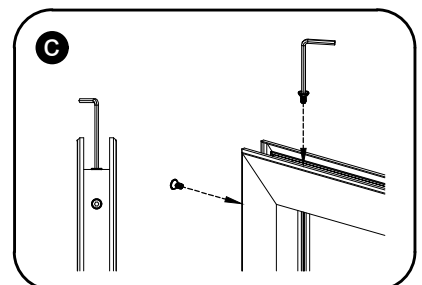
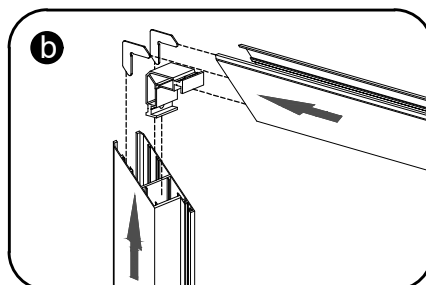
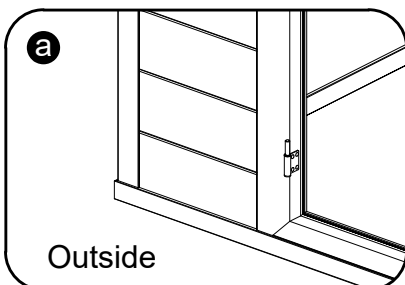
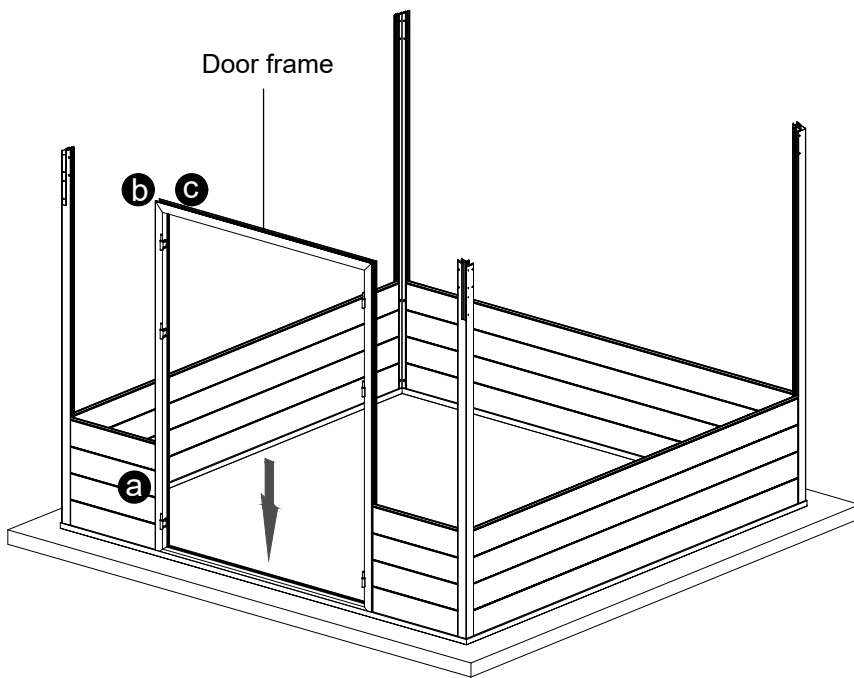
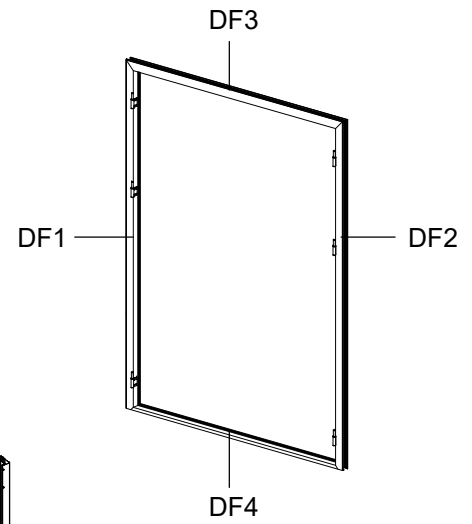
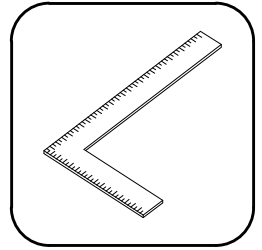
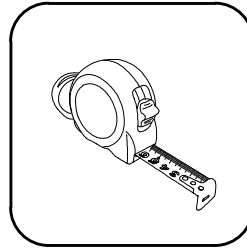
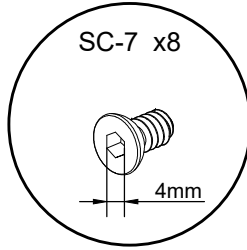
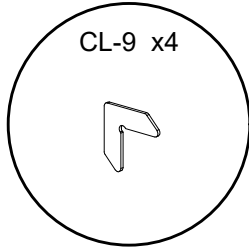
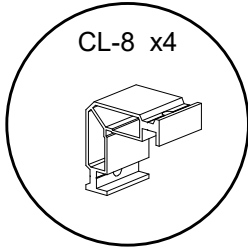
STEP 3 :



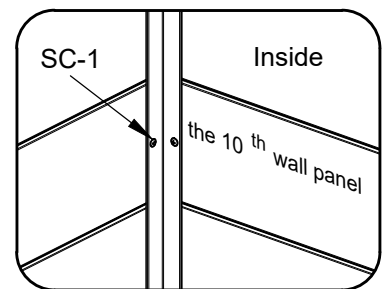
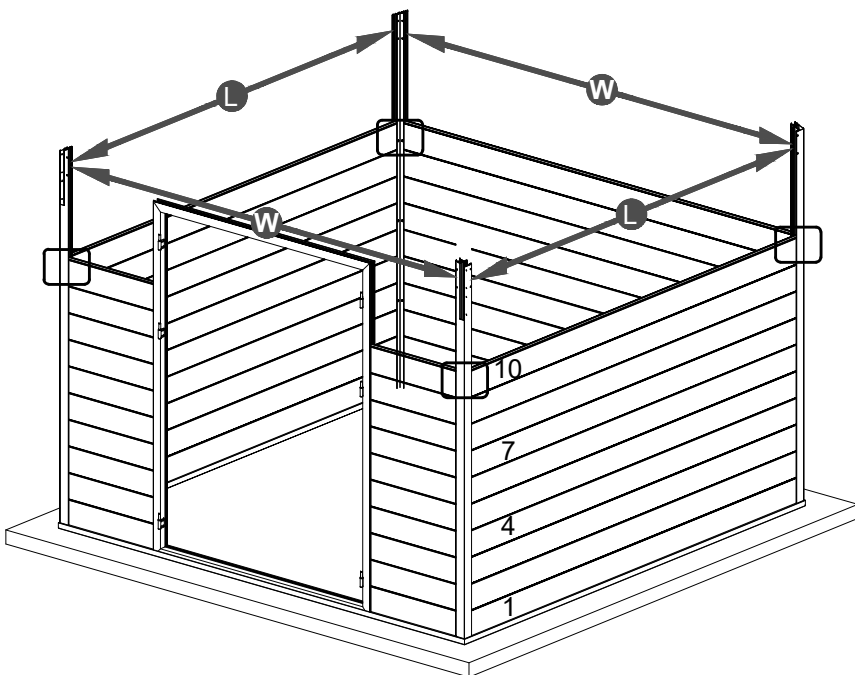
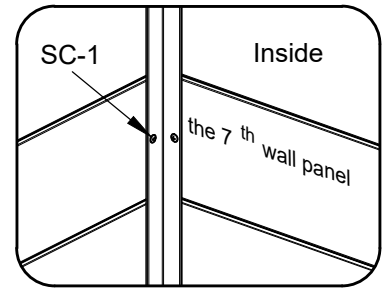
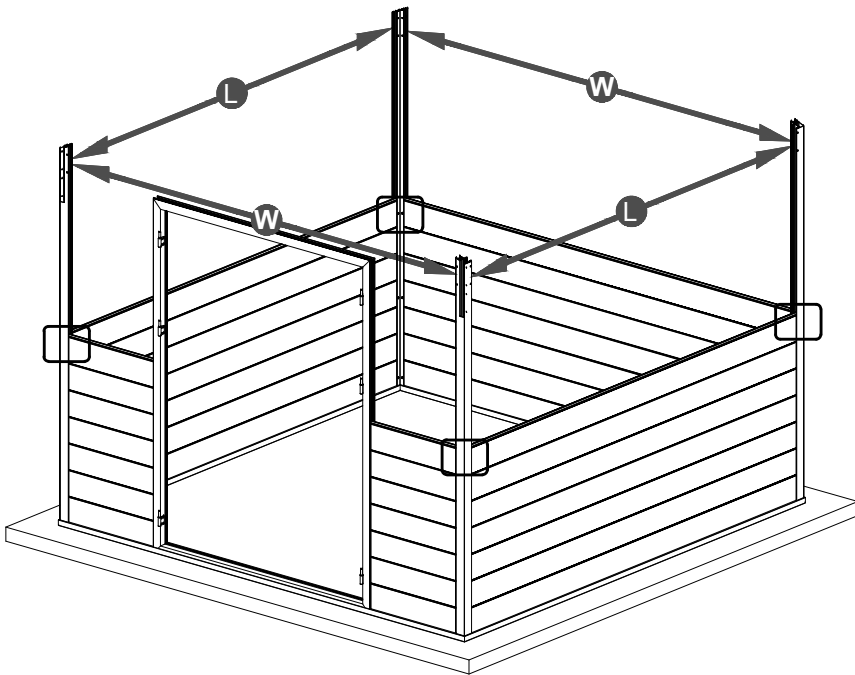
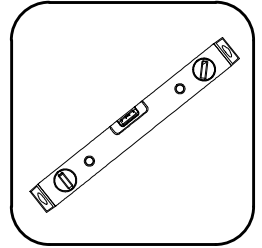
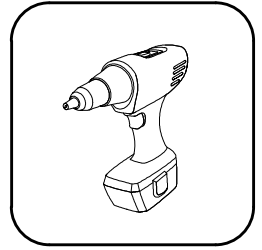
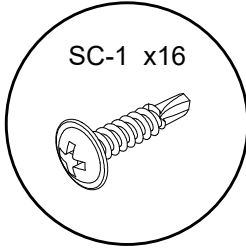
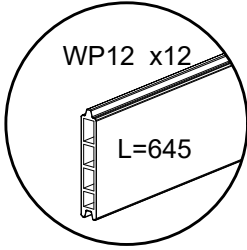
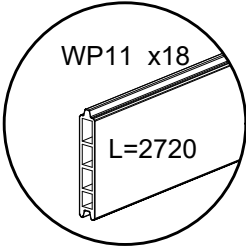
STEP 4 :



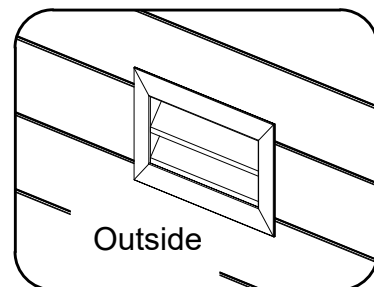
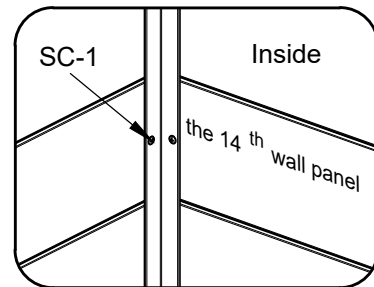
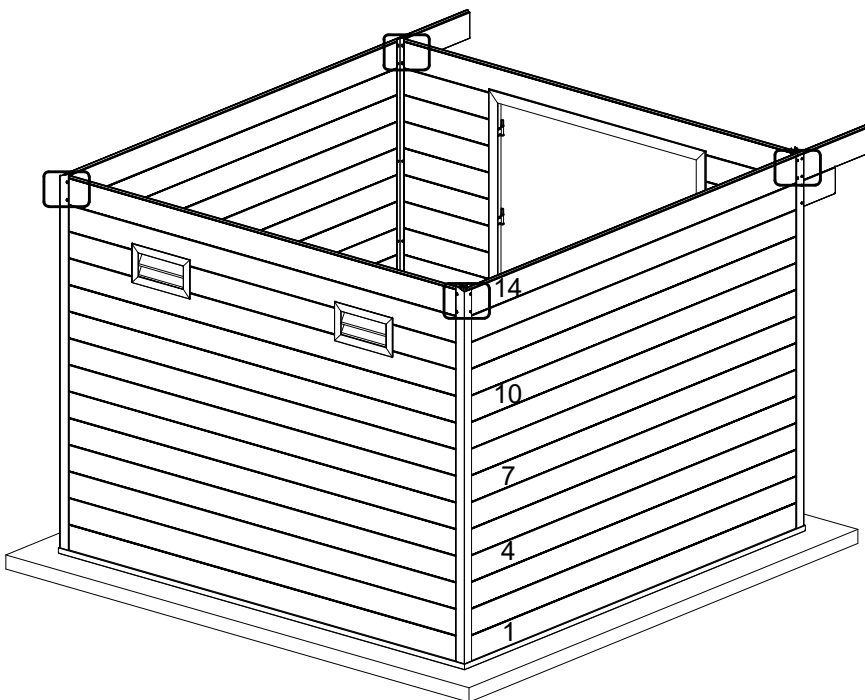
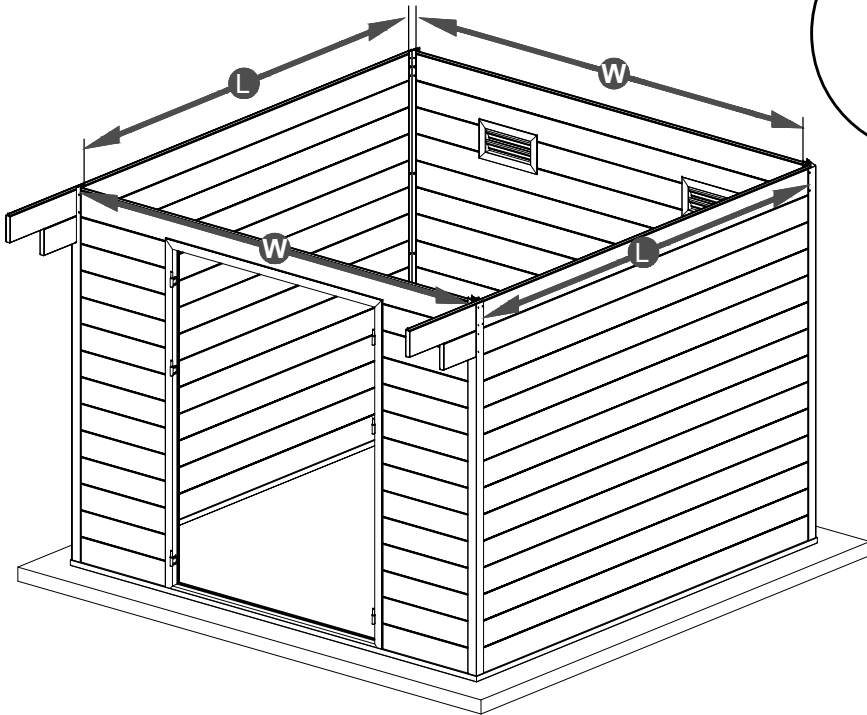
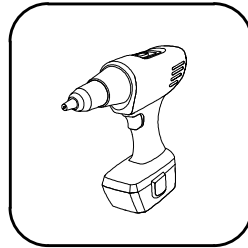
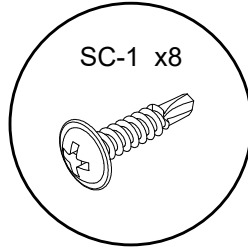
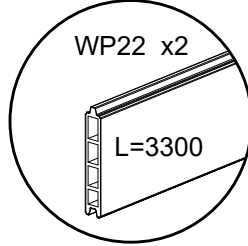
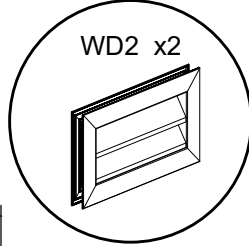
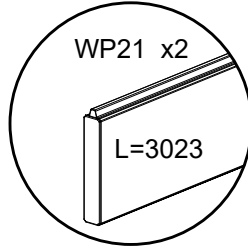
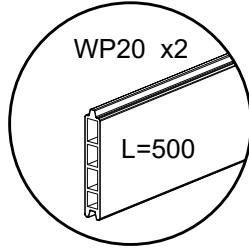
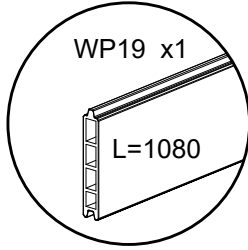
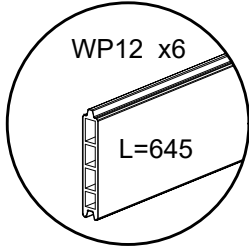
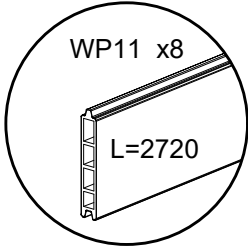
STEP 5 :



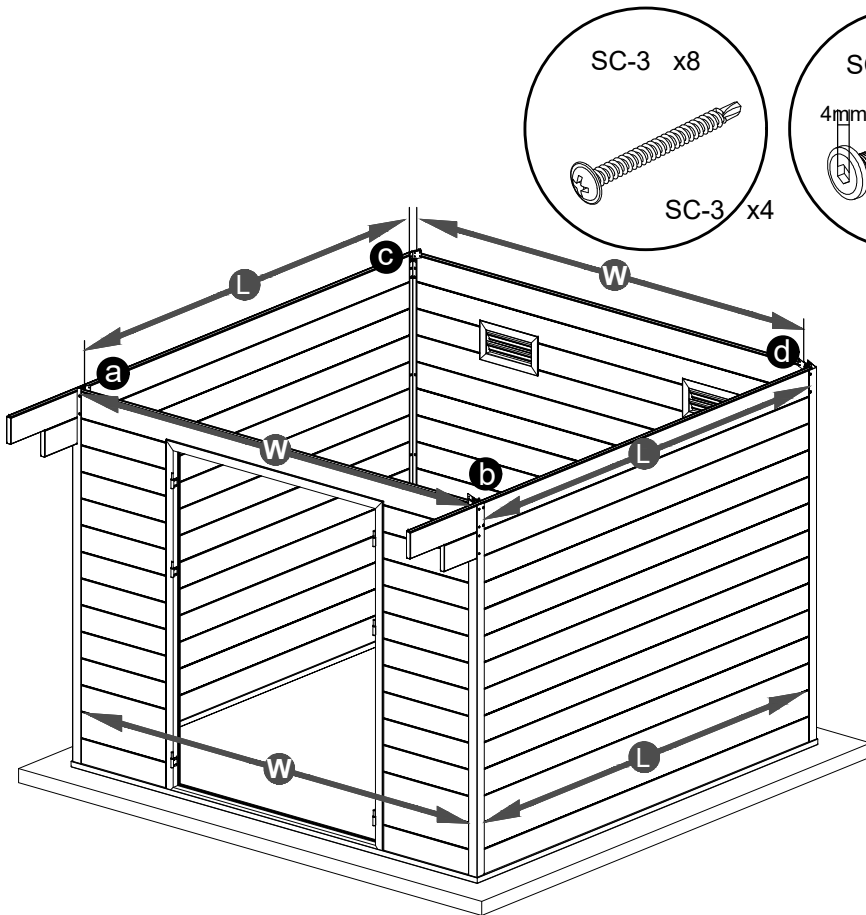
STEP 6 :



STEP 7 :

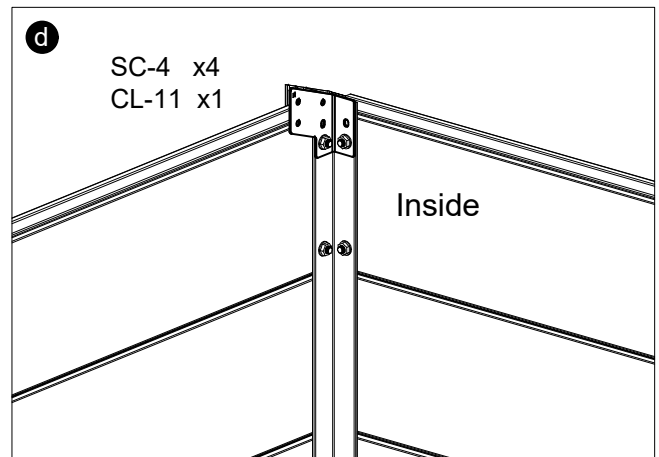
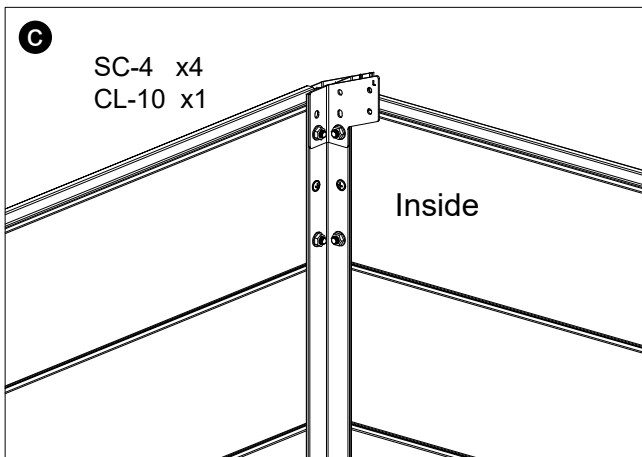
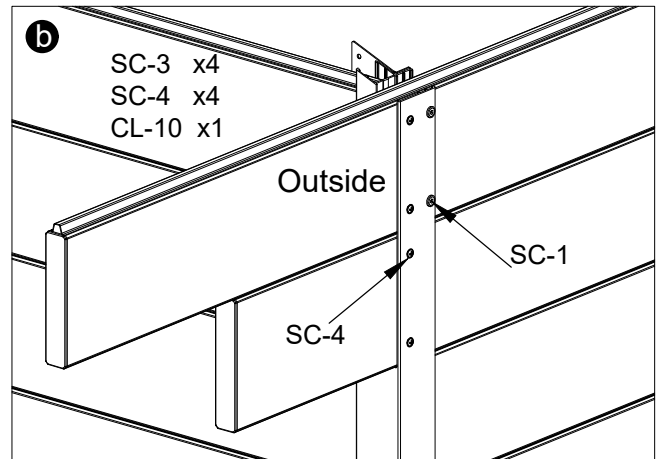
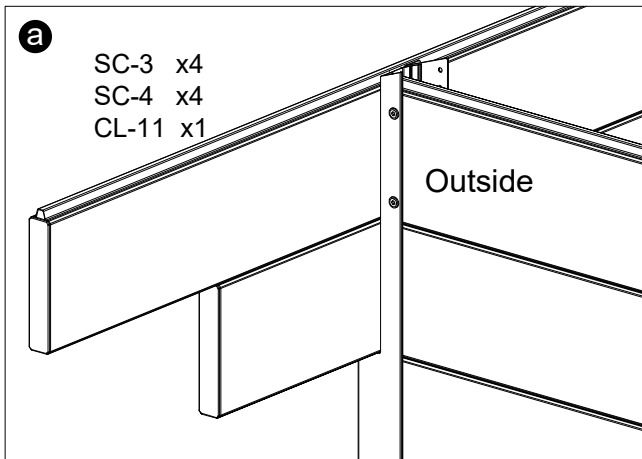


STEP 8 :



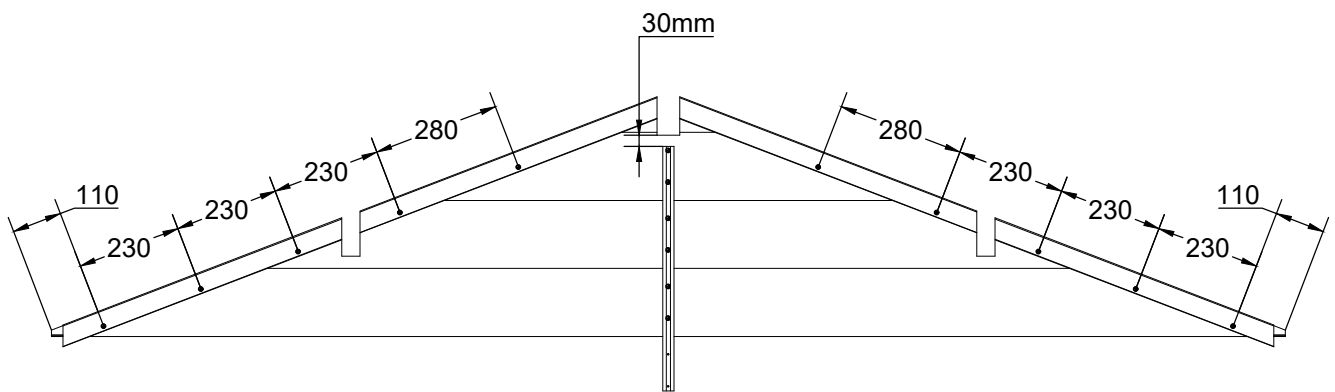
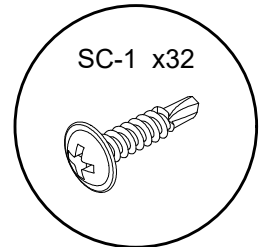
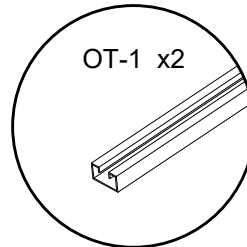
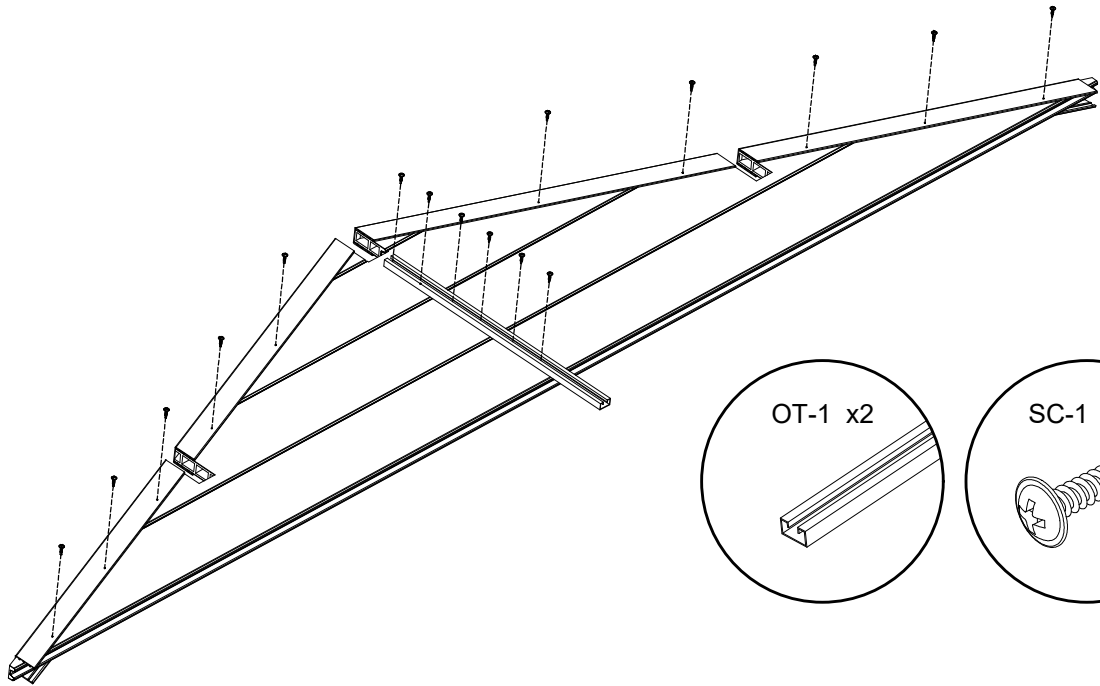
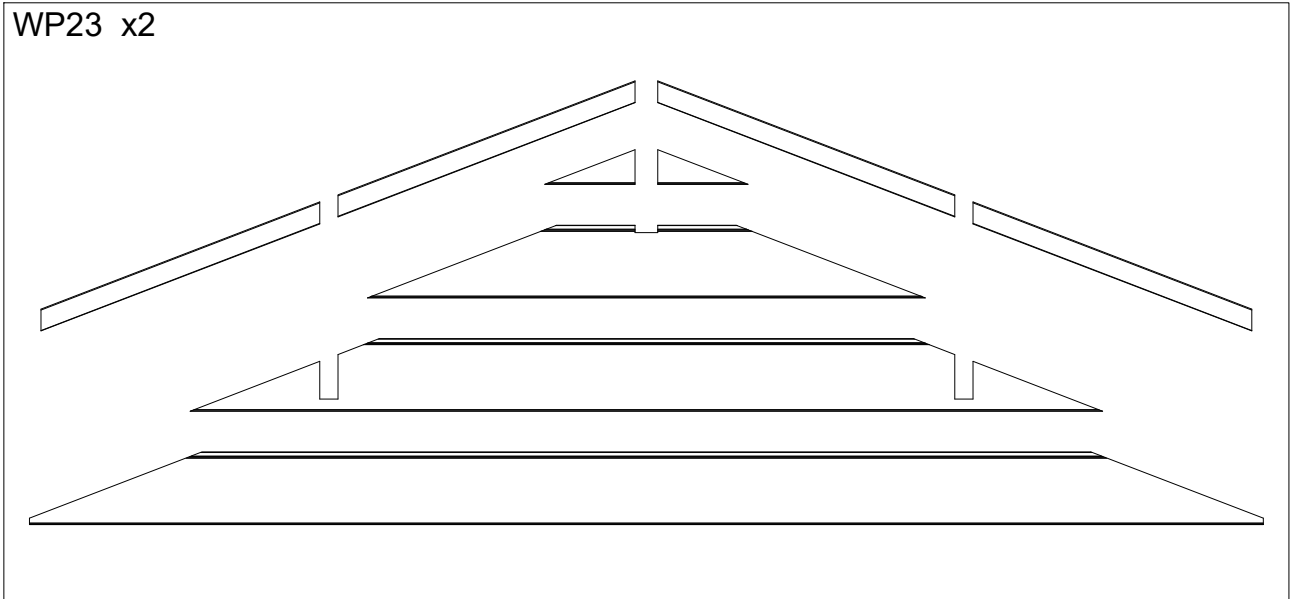
Please pre-drill holes first for SC-4

DETAIL :

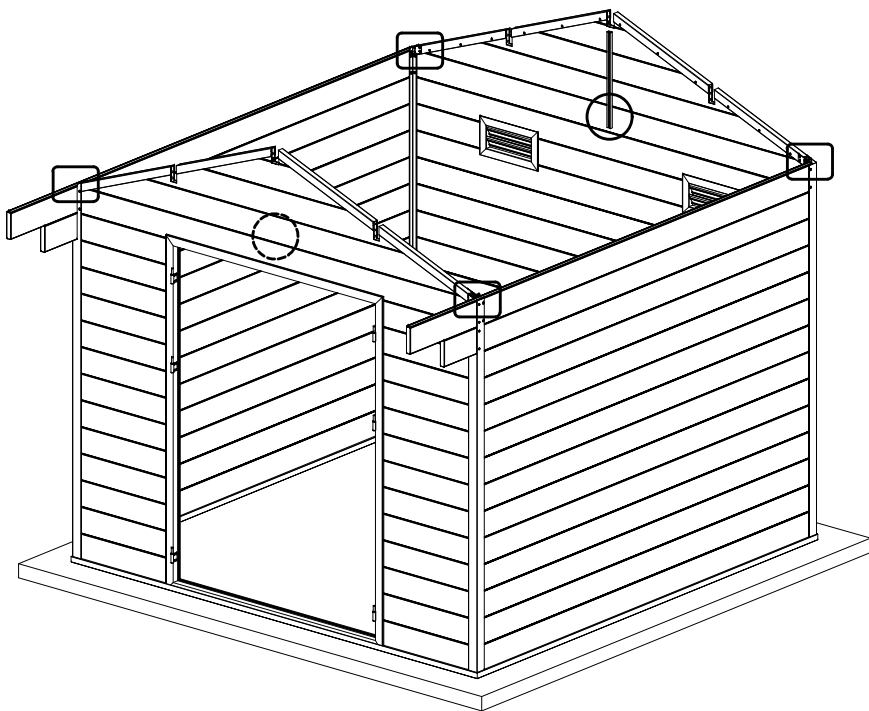
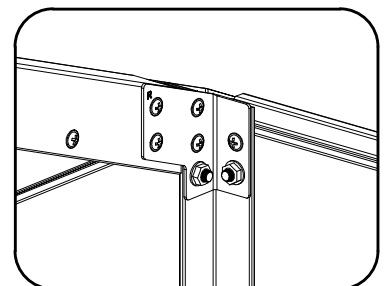
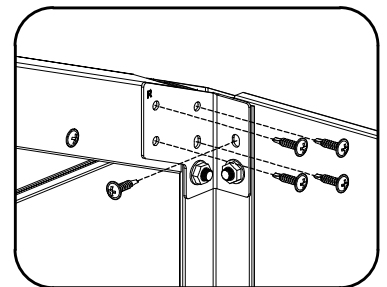
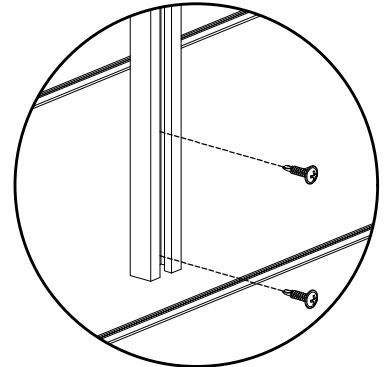
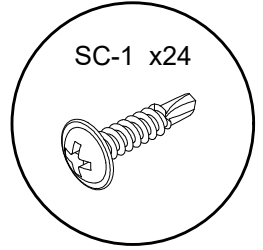
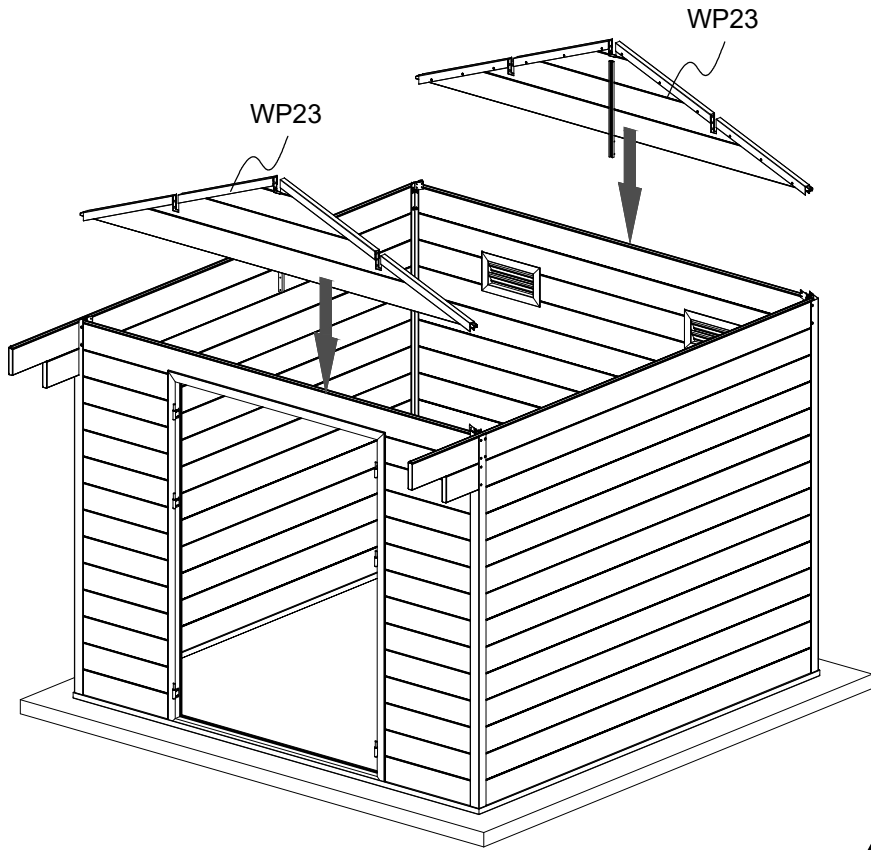


STEP 09 :

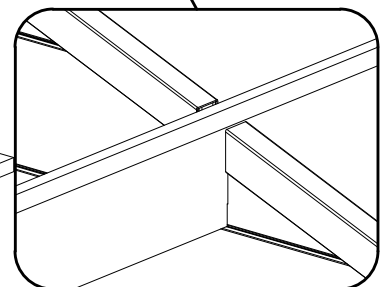
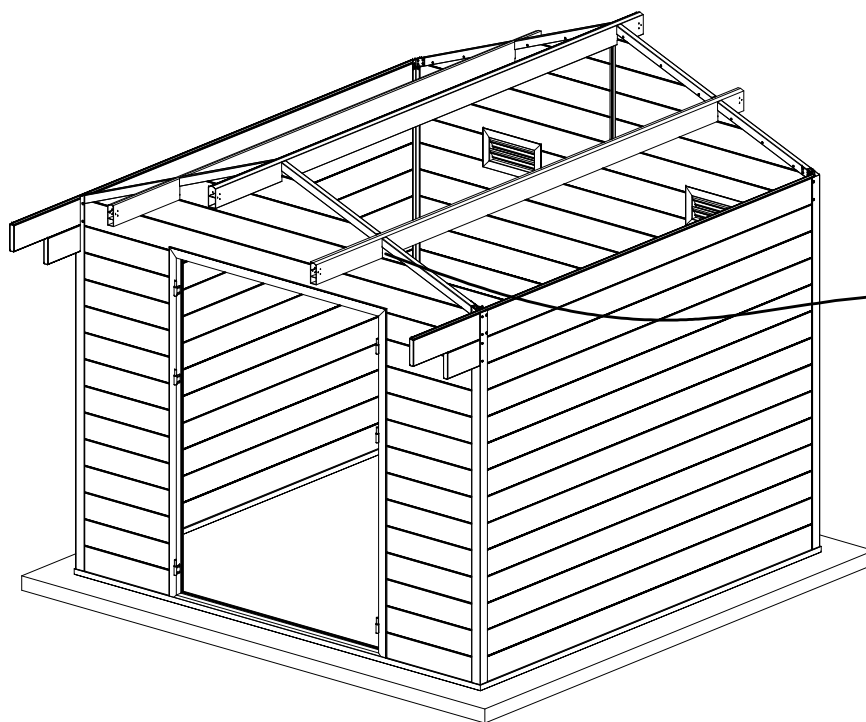
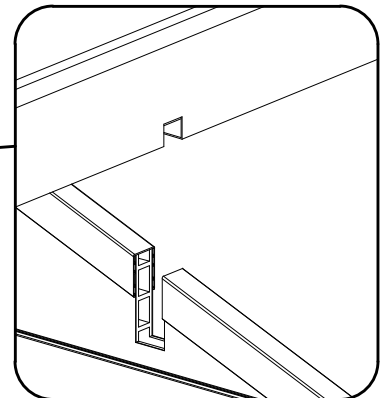
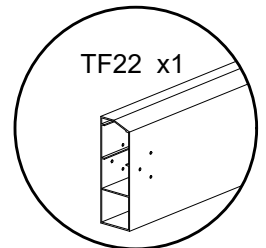
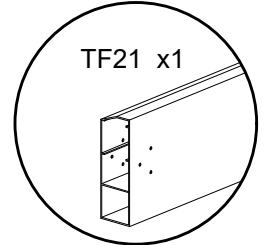
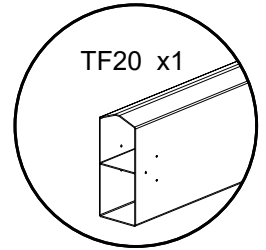
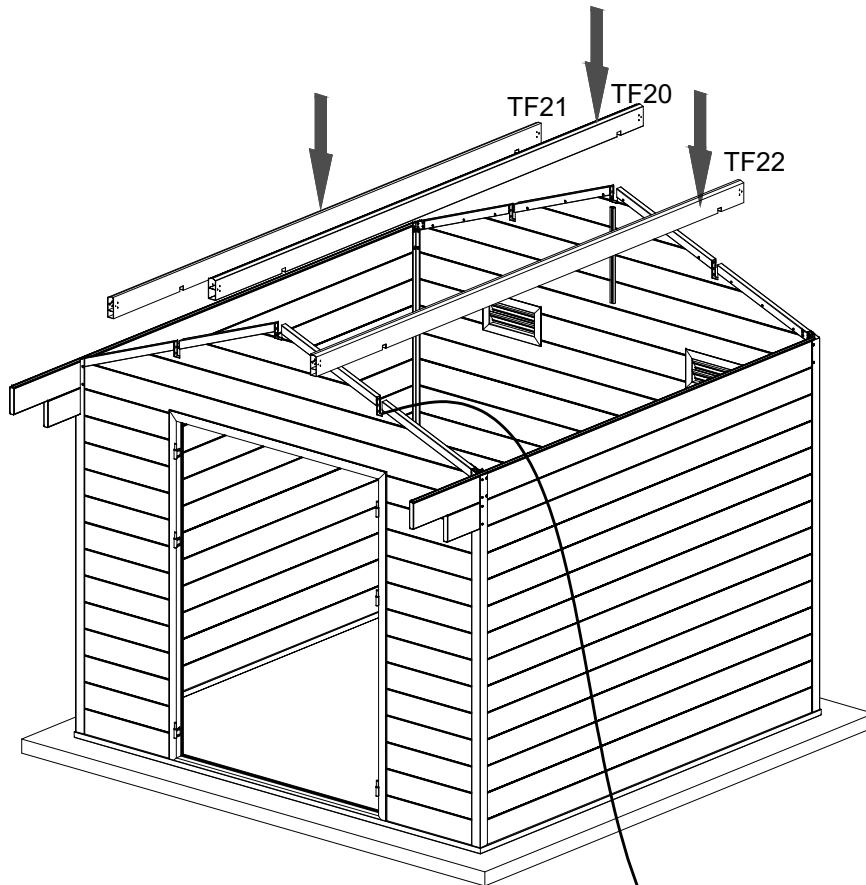
WP23 x2



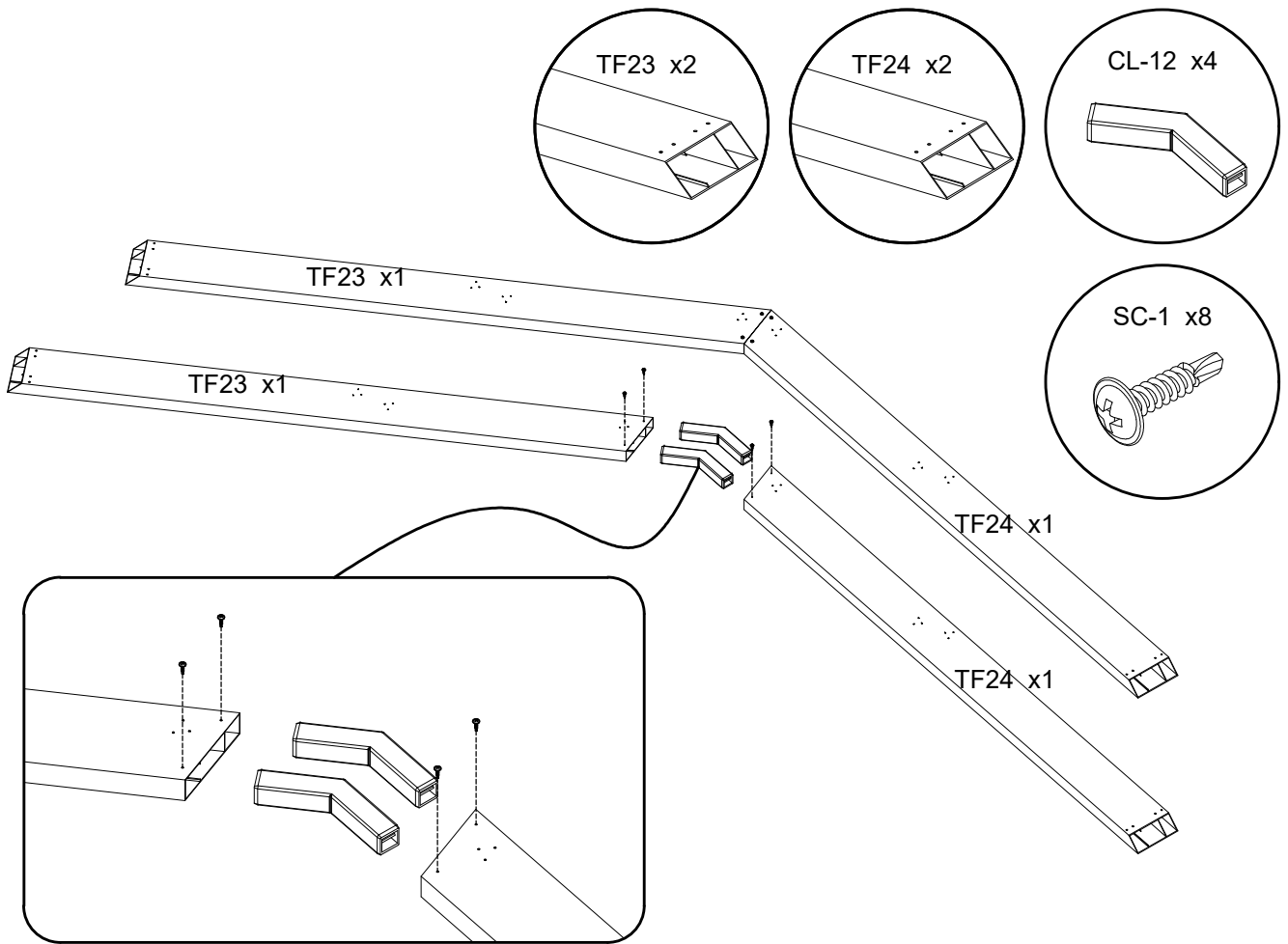
STEP 10 :



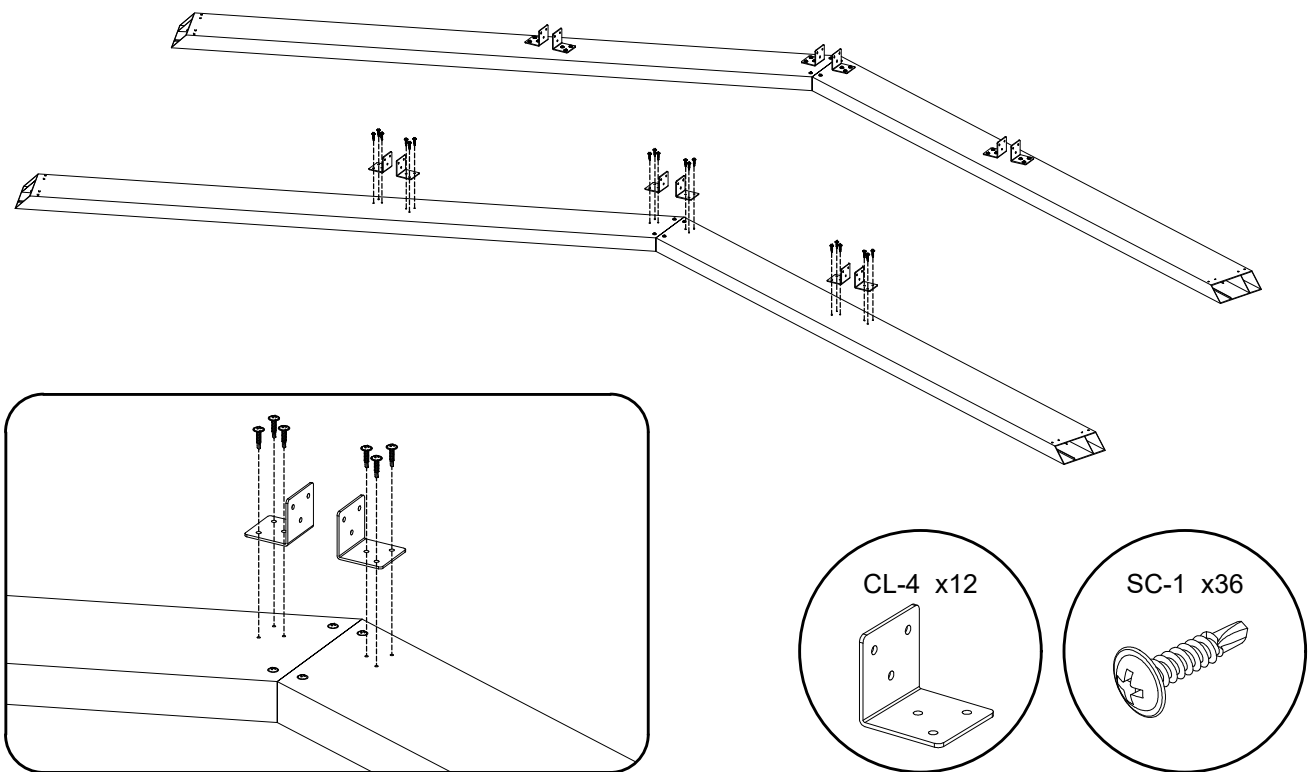
STEP 11 :



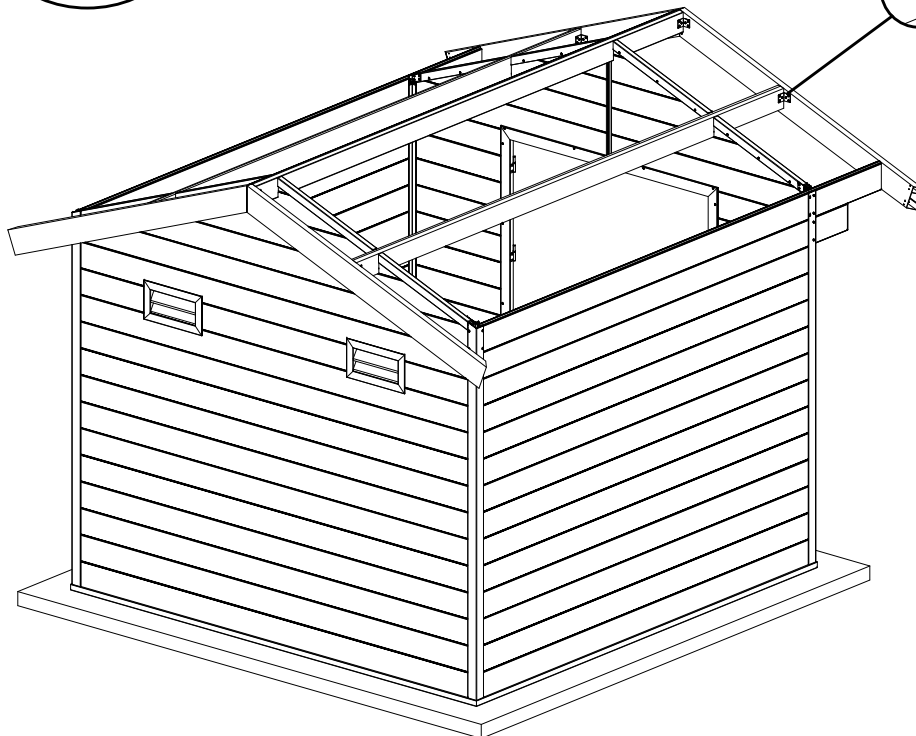
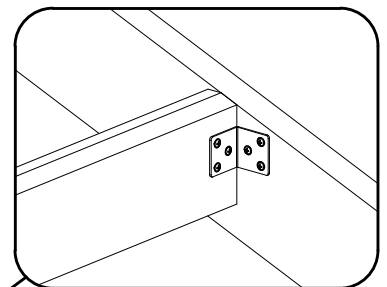
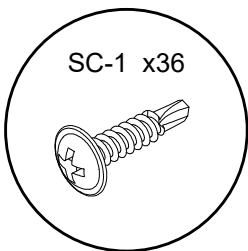
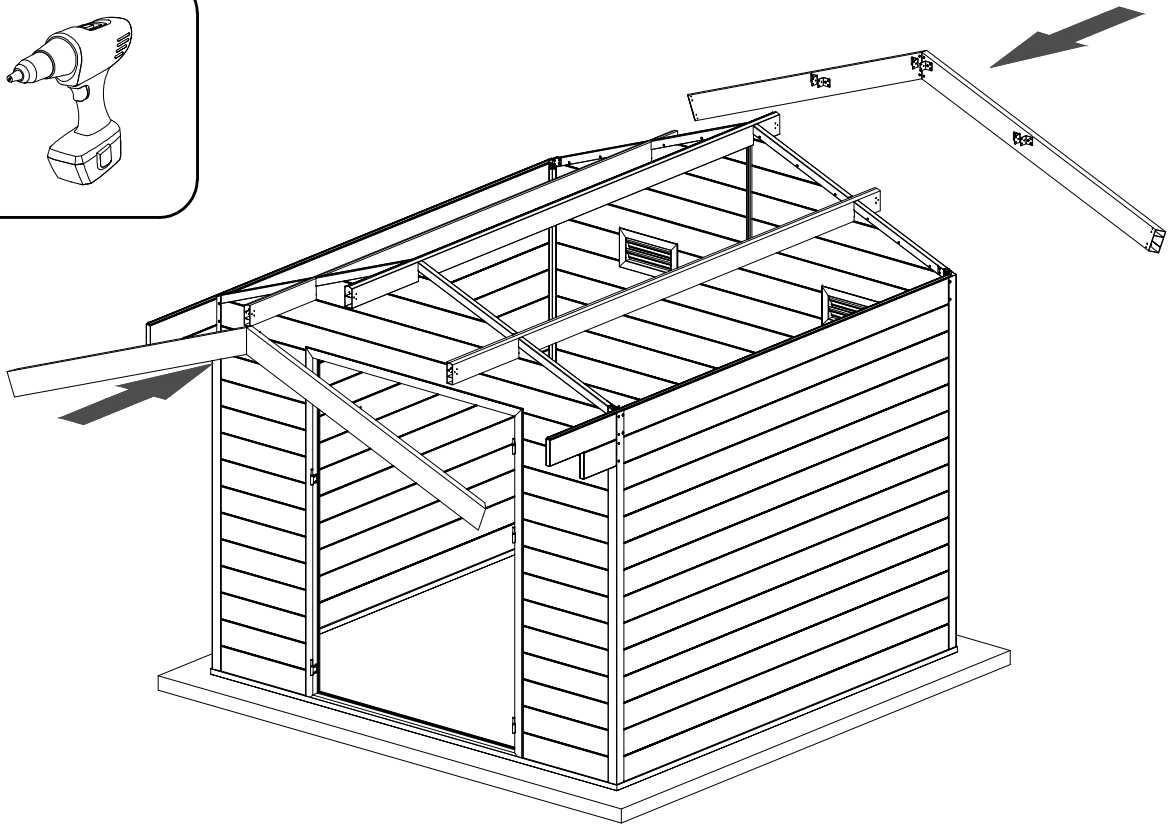
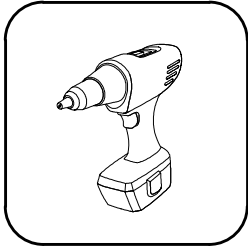
STEP 12 :



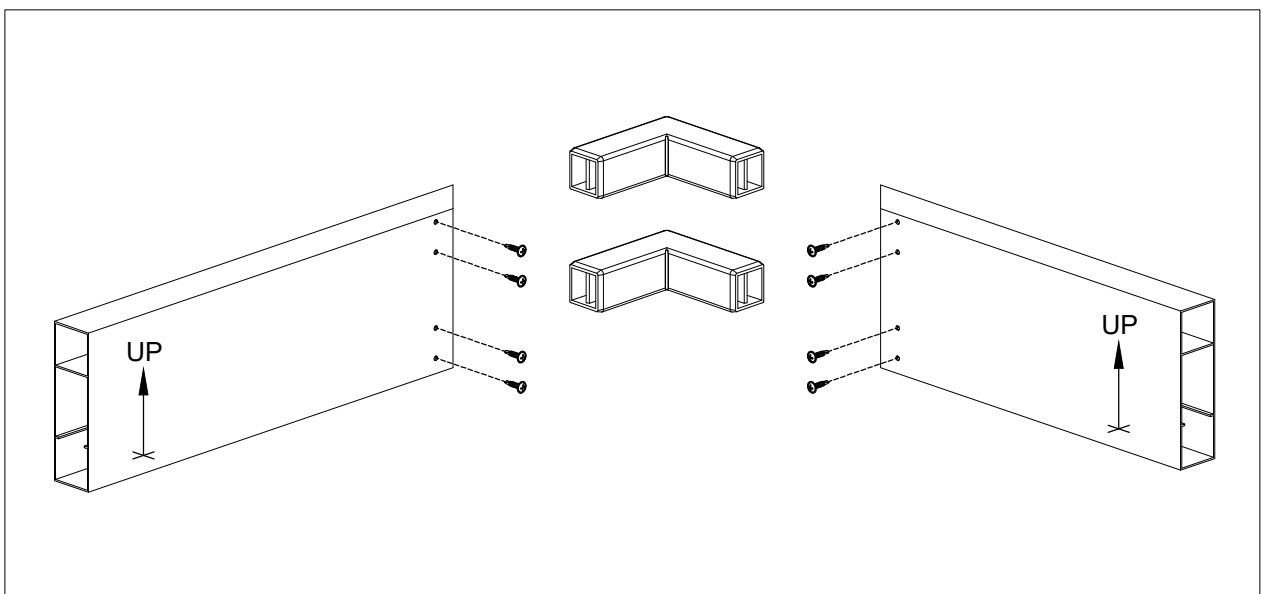
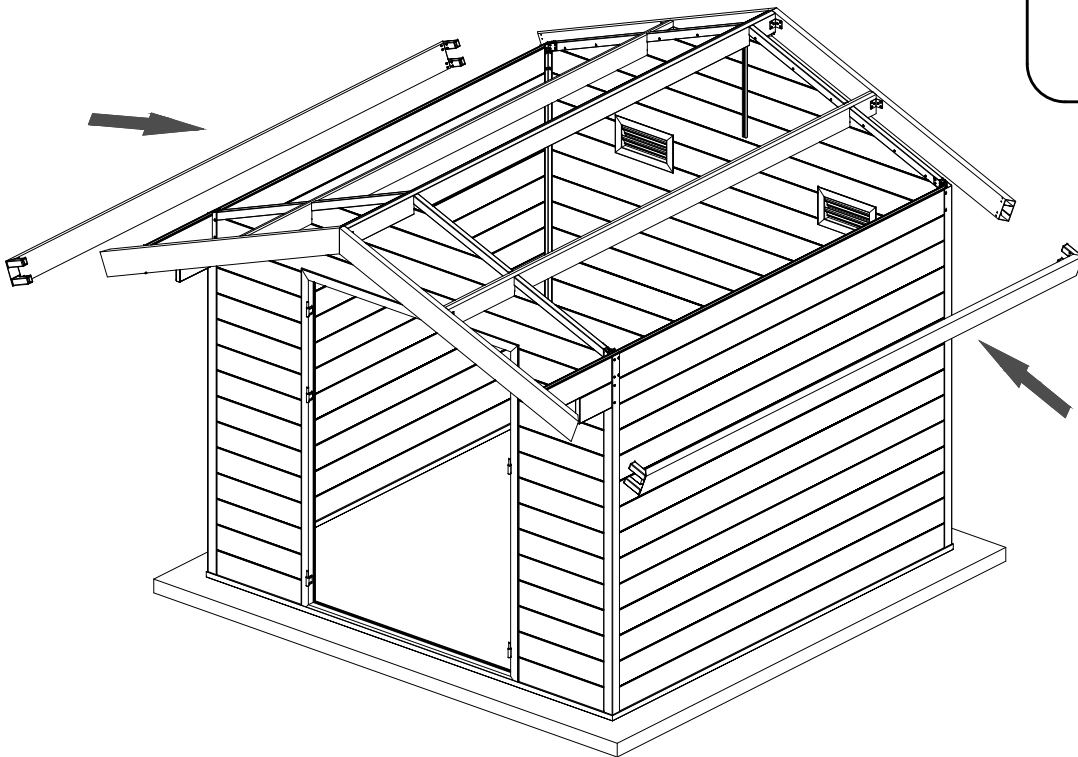
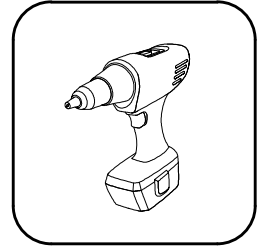
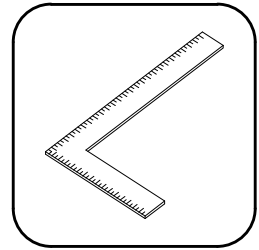
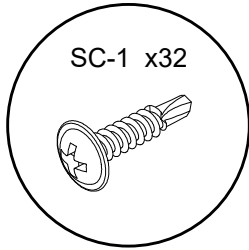
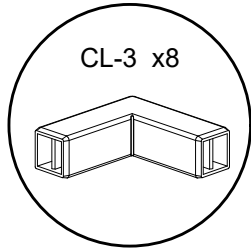
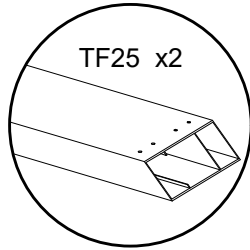
STEP 13 :



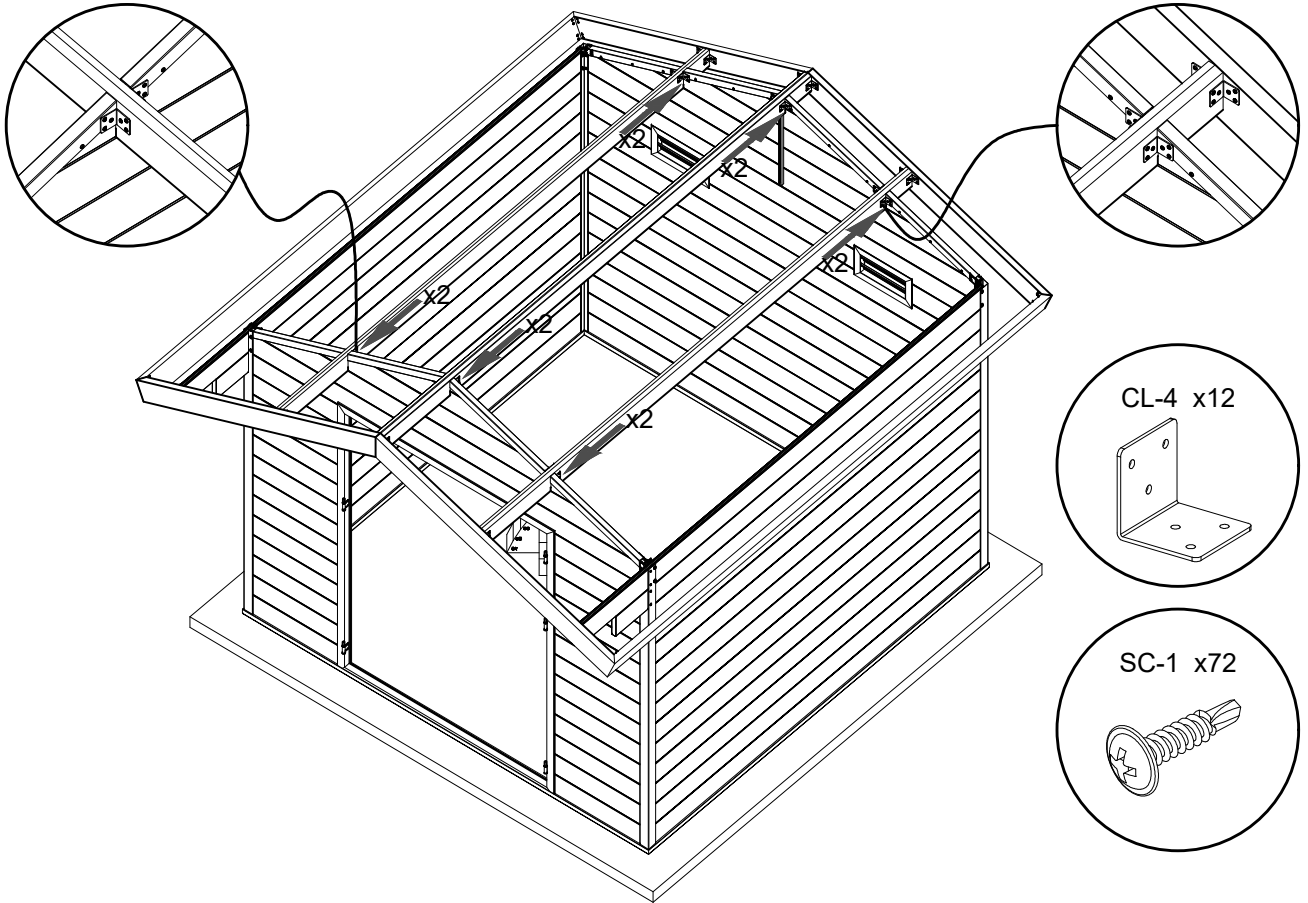
STEP 14 :



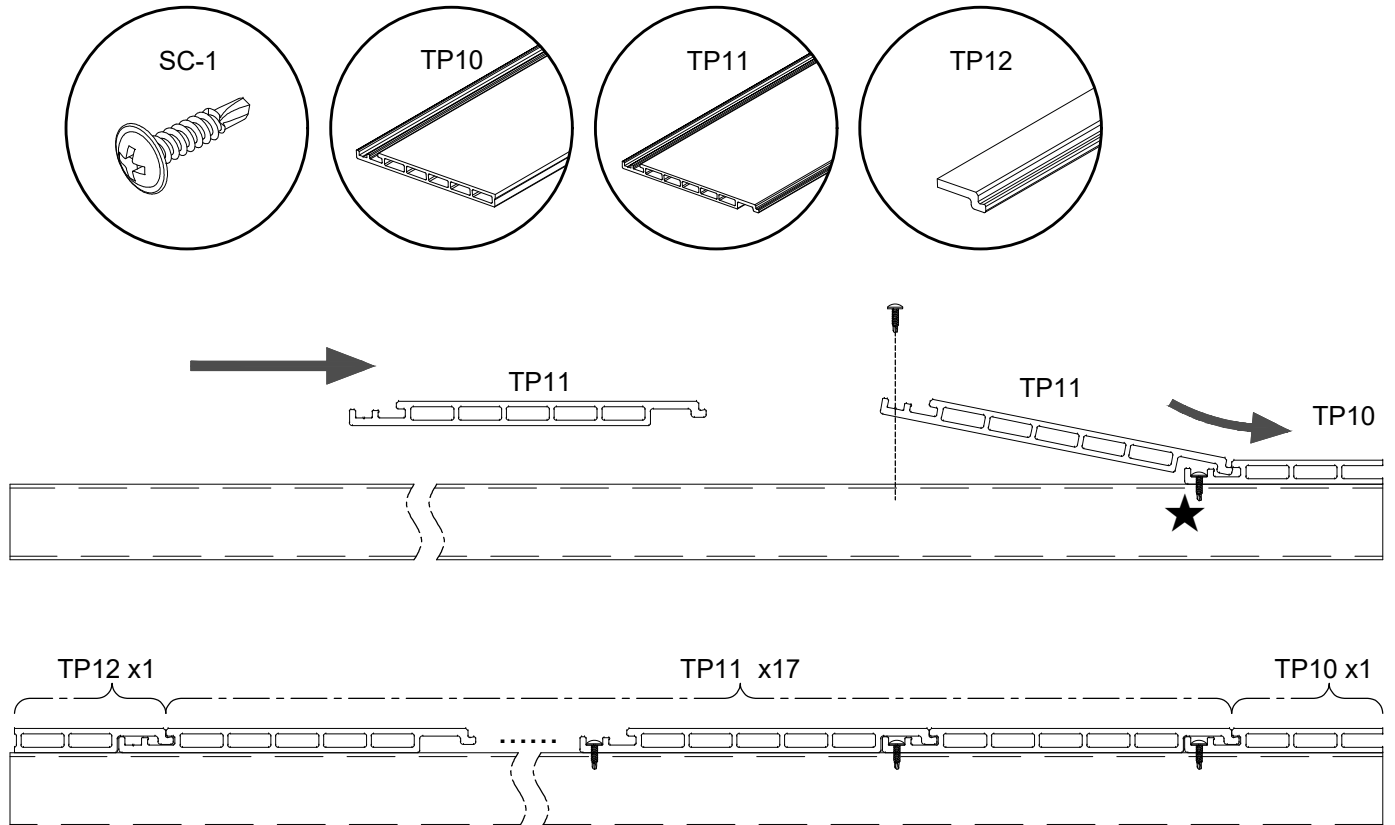
STEP 15 :



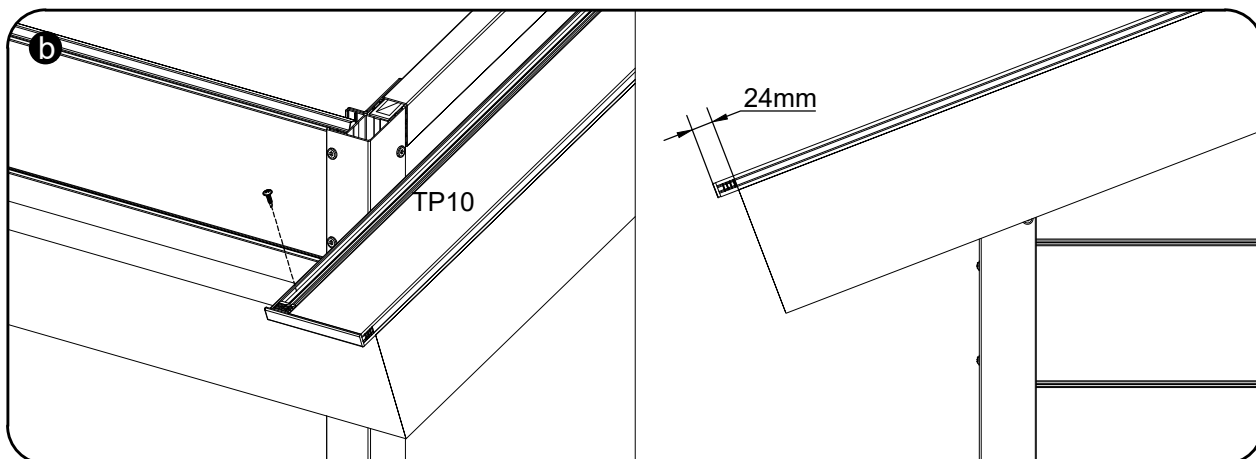
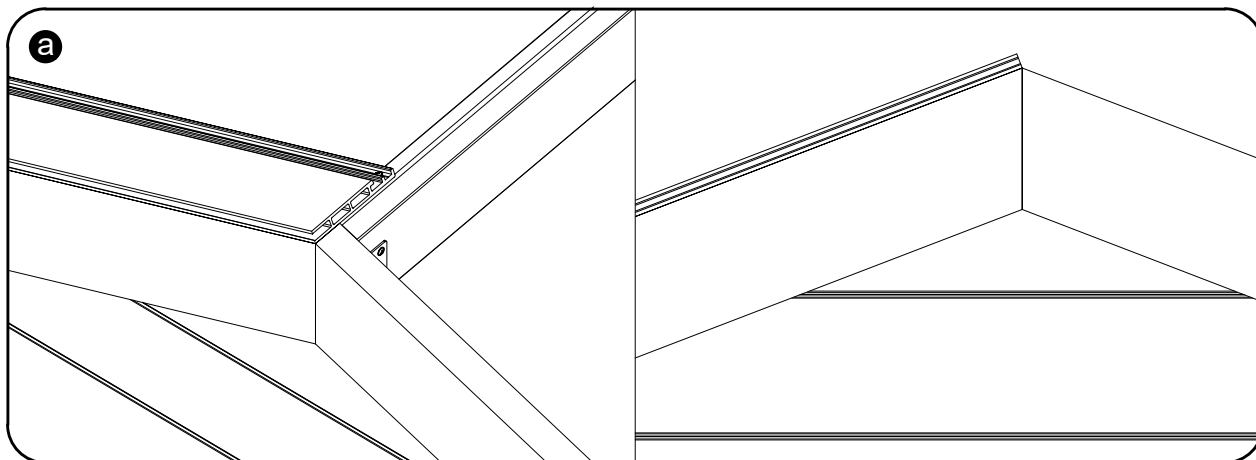
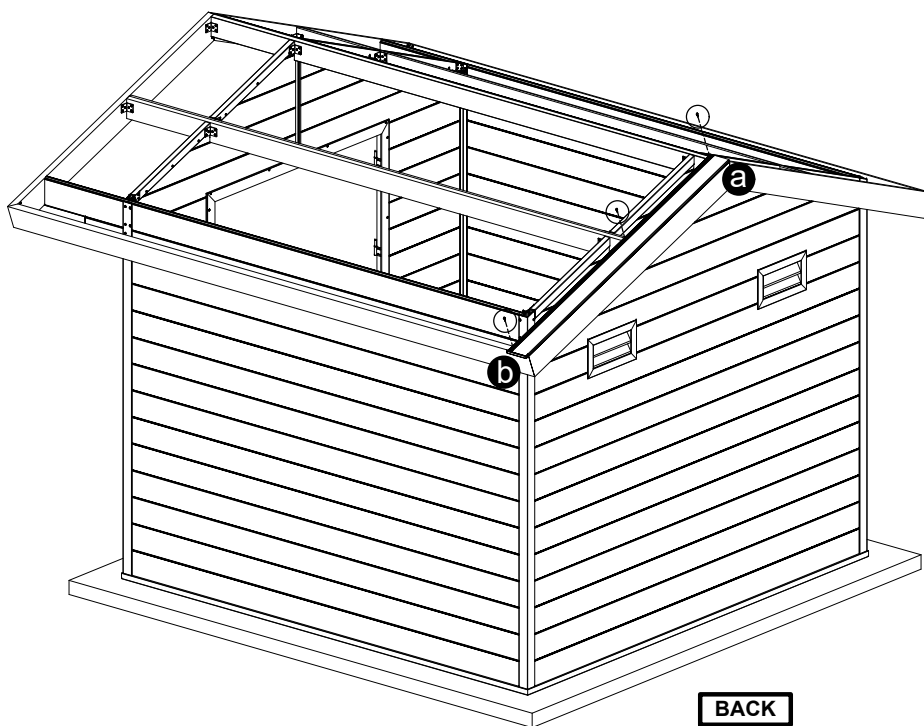
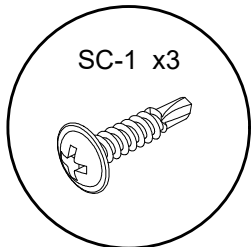
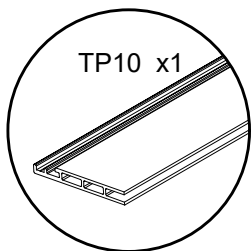
STEP 16 :



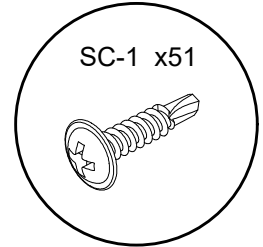
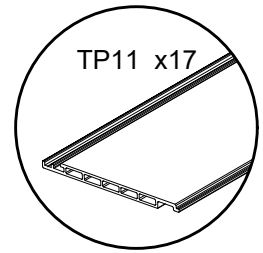
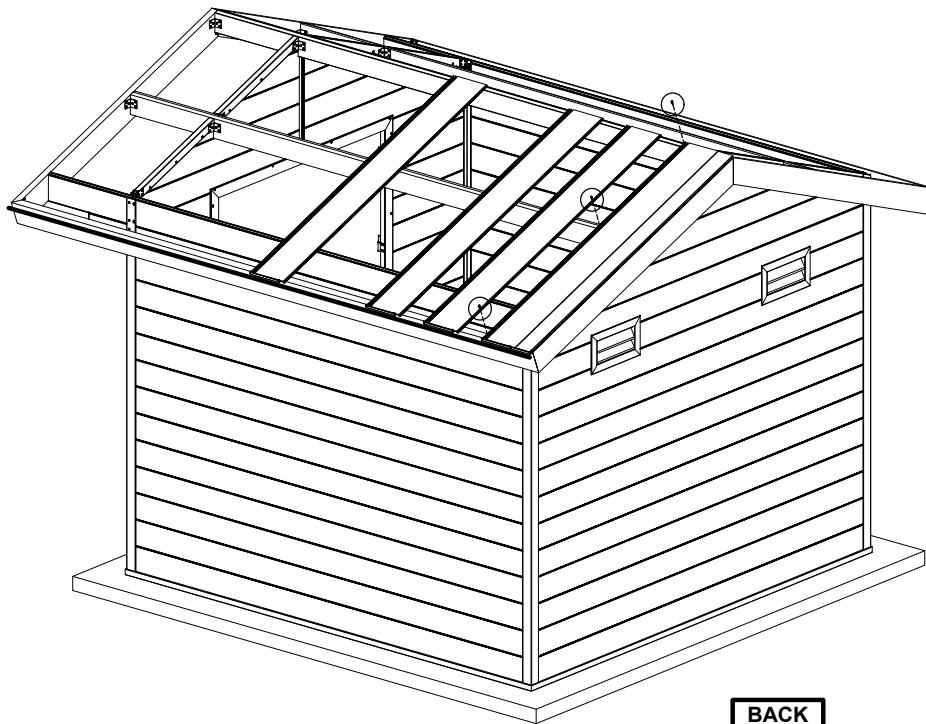
The top roof panel.



STEP 19 : The installation of top roof panel.

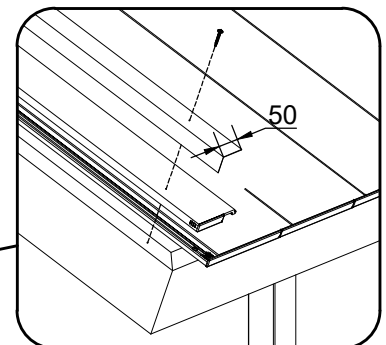
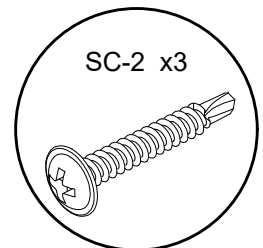
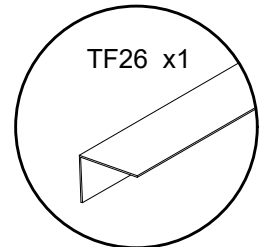
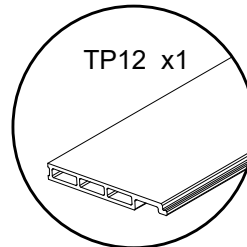
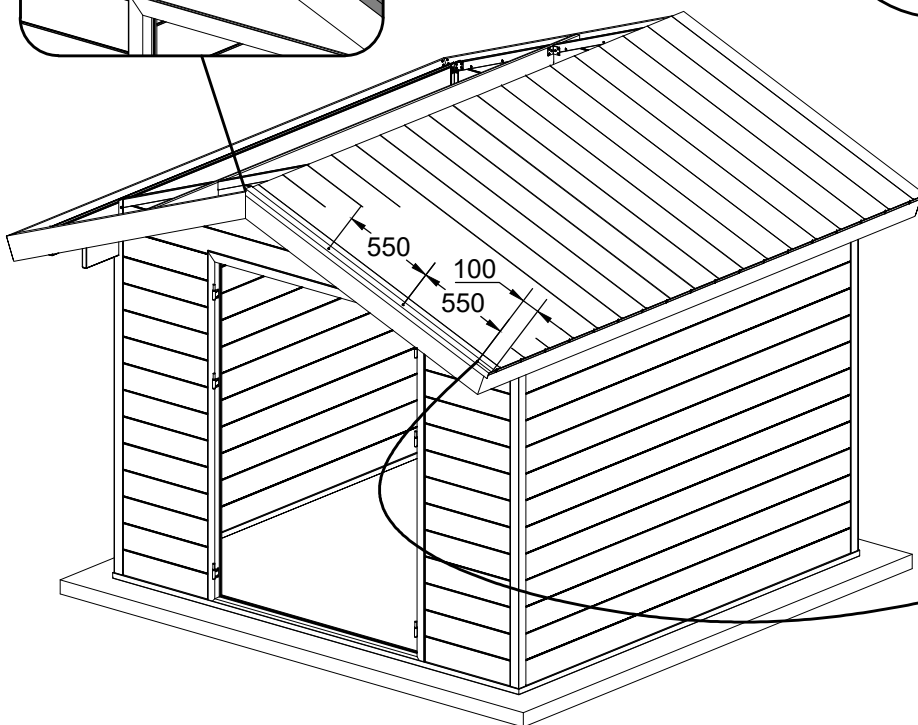
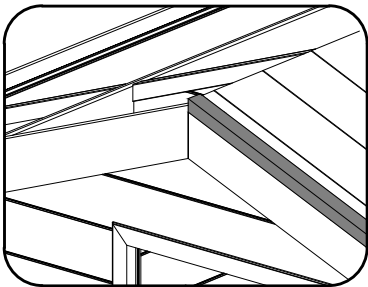


STEP 20 :

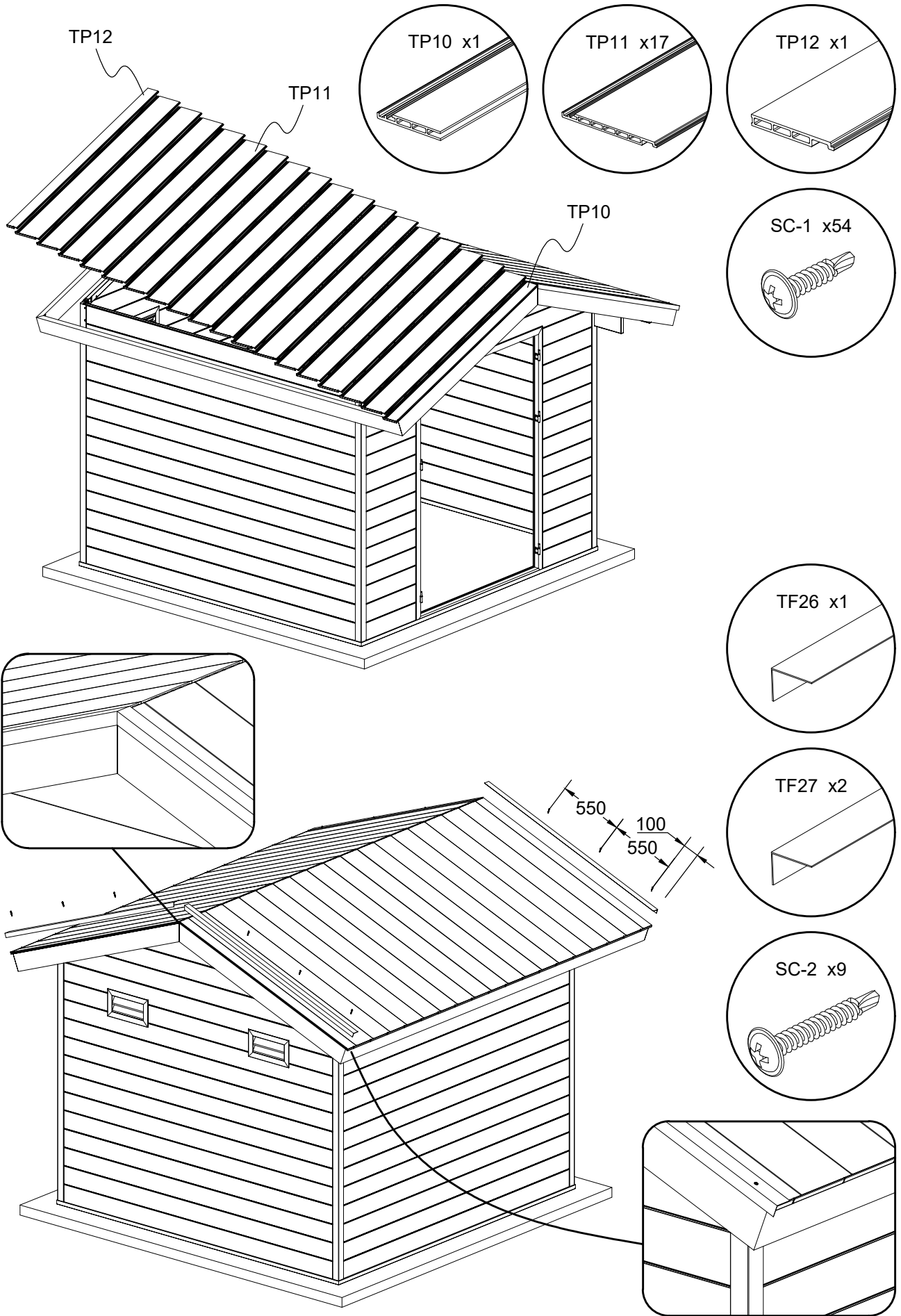


BACK

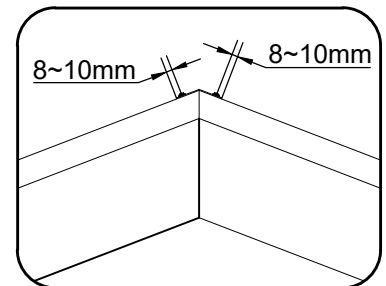
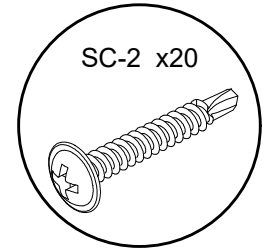
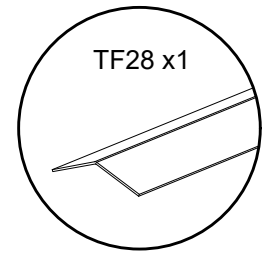
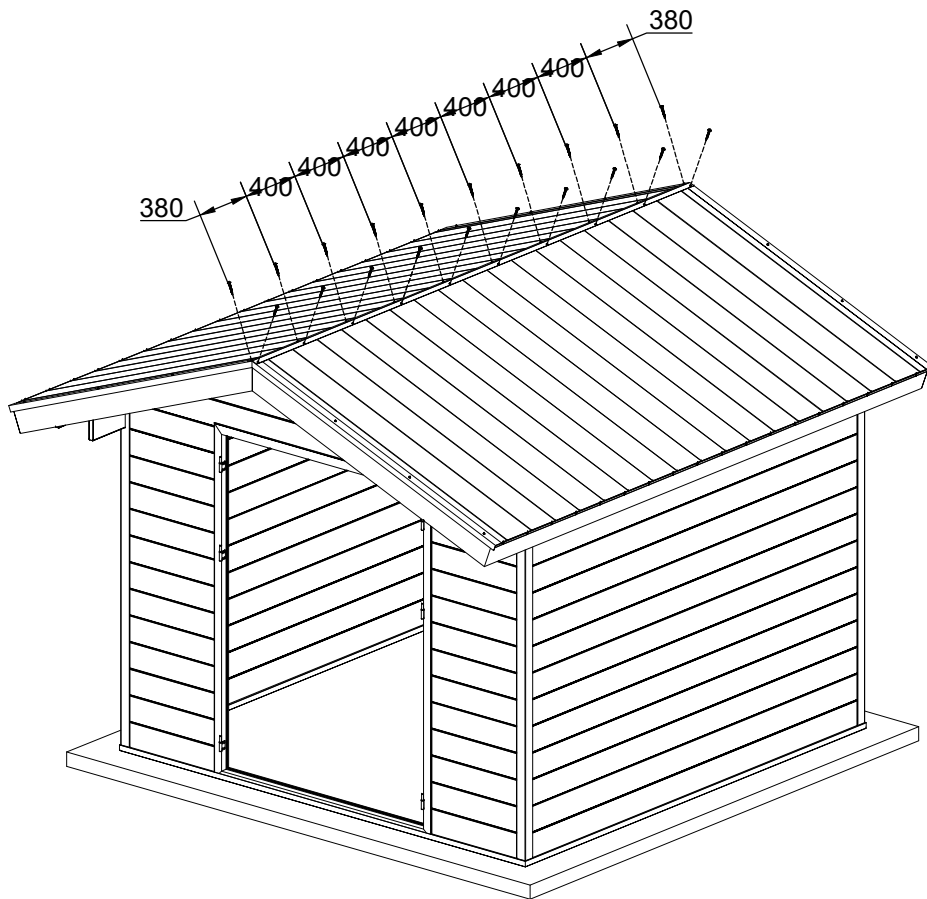
STEP 21 :



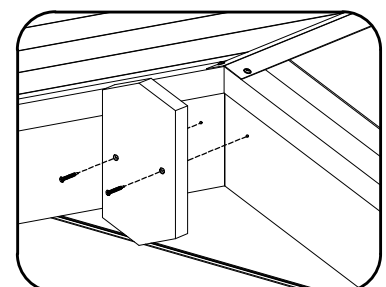
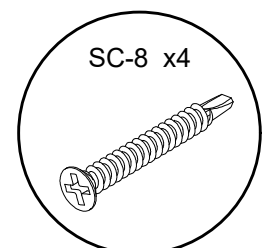
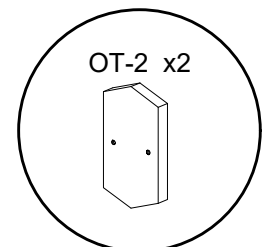
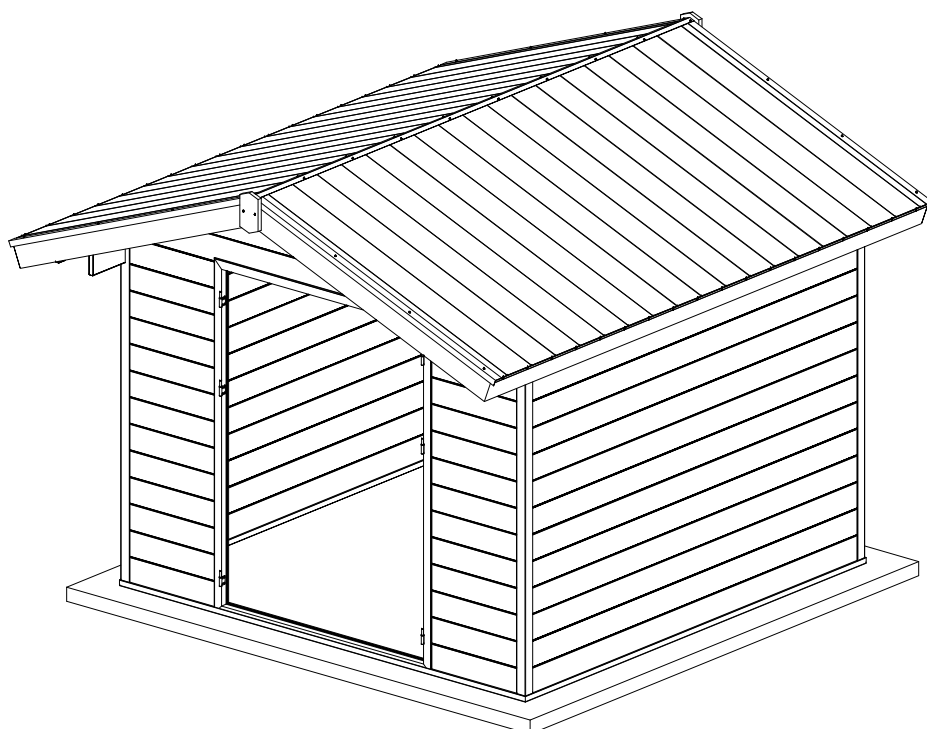
STEP 22:



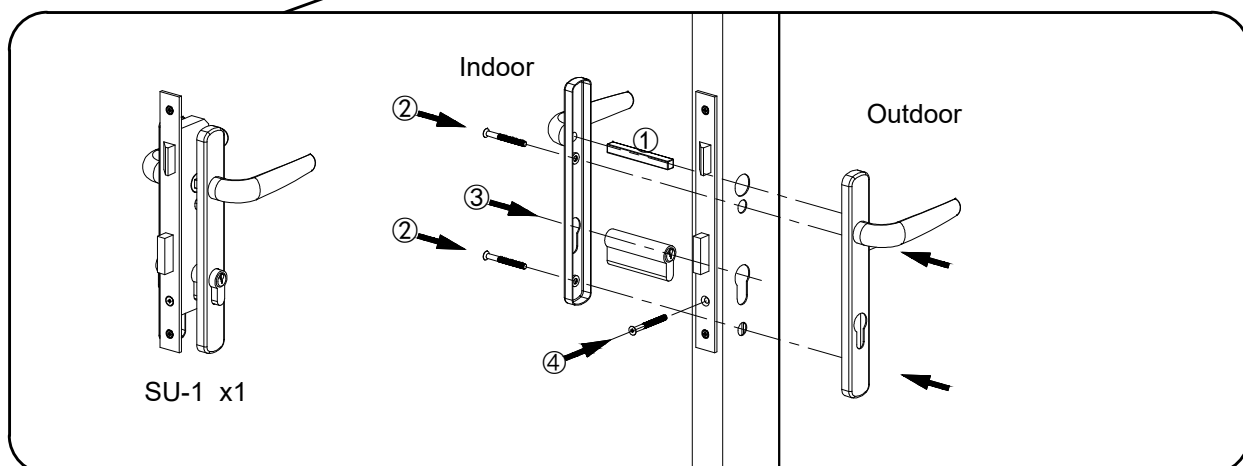
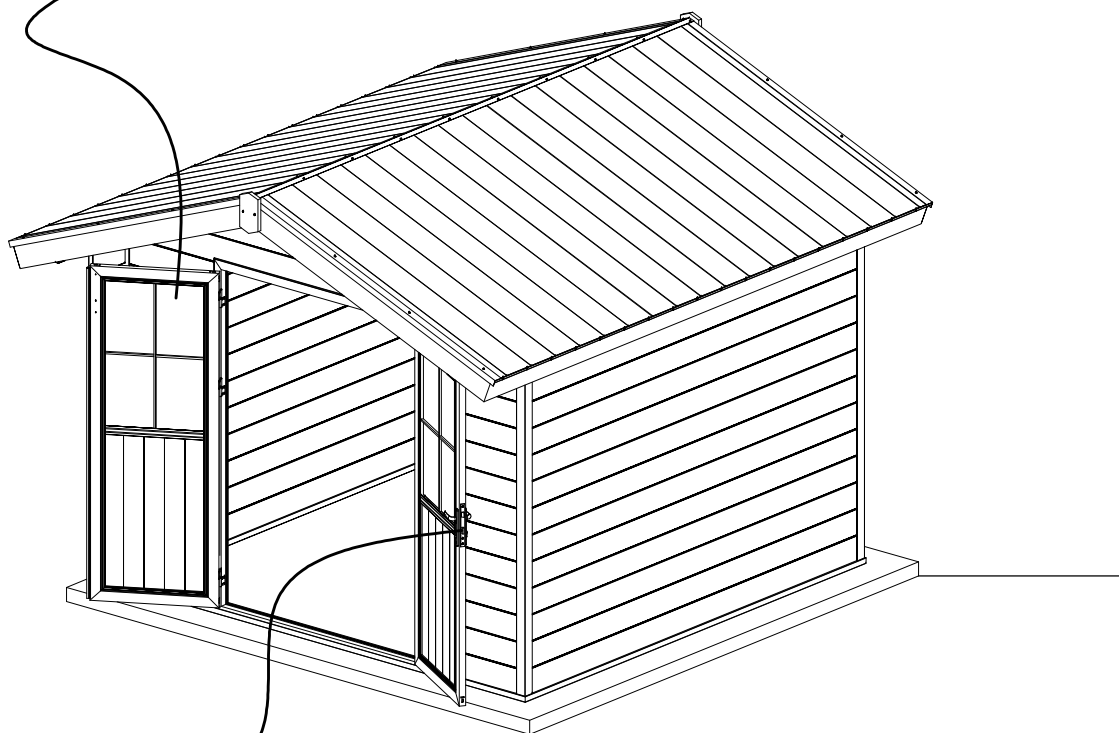
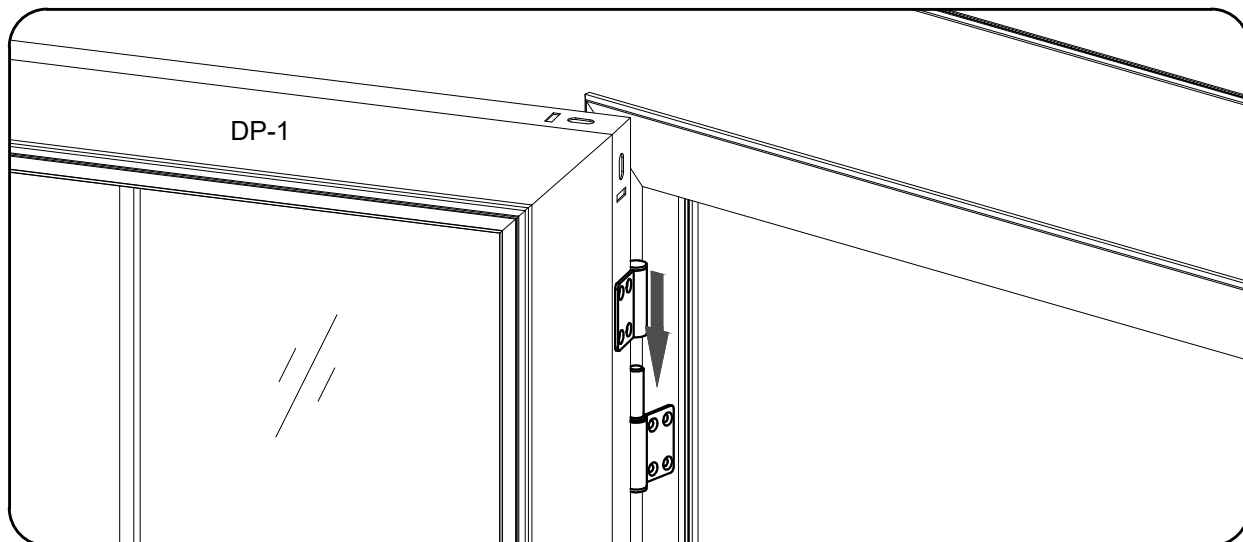
STEP 23 :



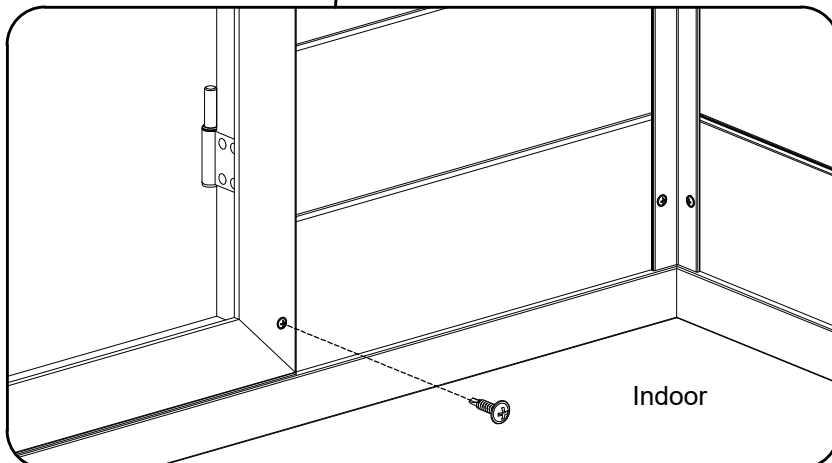
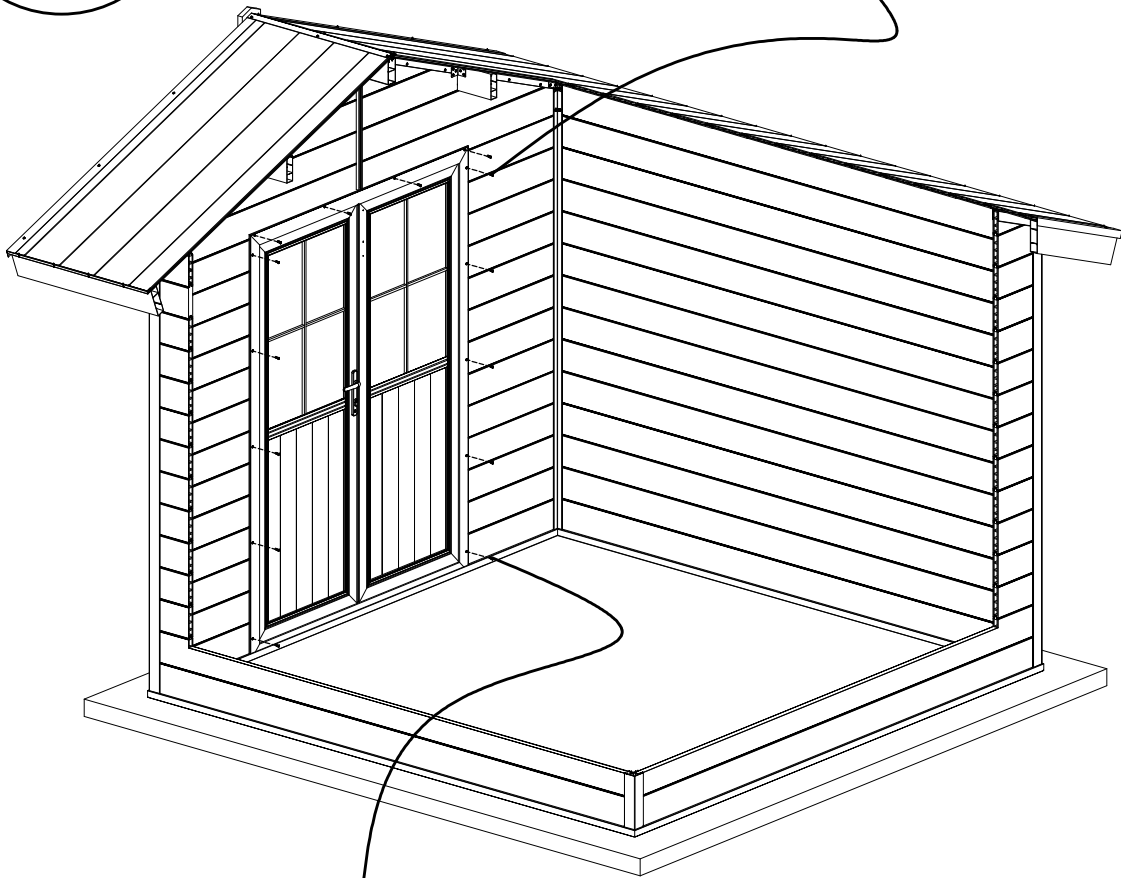
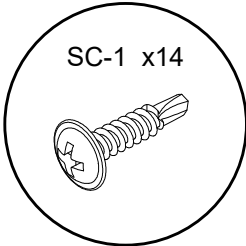
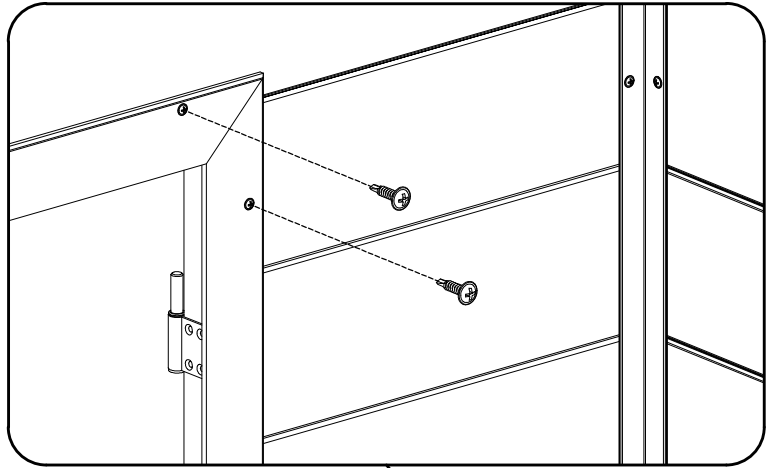
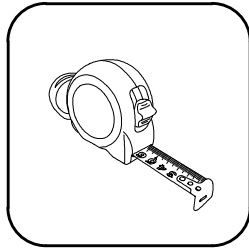
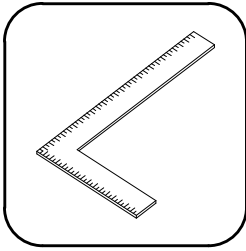
STEP 21 :



STEP 24 : DOOR and LOCK



STEP 25: Connecting Together



STEP 26 :

